
SERVICE INSTRUCTION

Trans-Tech. Atomization Conversion Kit (Vector)

1. Partially disassemble the front of the gun by removing items found in Figure 1.
2. First, remove the retaining ring [1].
3. Next, remove the air cap [2].
4. Use the special wrench to remove the fluid nozzle [3].
5. Remove the solvent proof o-ring [4].
6. With a flathead screwdriver remove the restrictor [5].
7. Replace old restrictor with new green restrictor (74963-06) provided in the kit . Apply thread sealant to threads as required.
8. Place the old solvent proof o-ring [4], on the new fluid nozzle (79552) provided in the kit .
9. Install new fluid nozzle and solventproof o-ring into assembly using special wrench. Torque to 4.5-5.1 Nm (40-45 lbs•in).
10. Install new 122V air cap (79374-122) provided in the kit.
11. Tighten retaining ring [1].

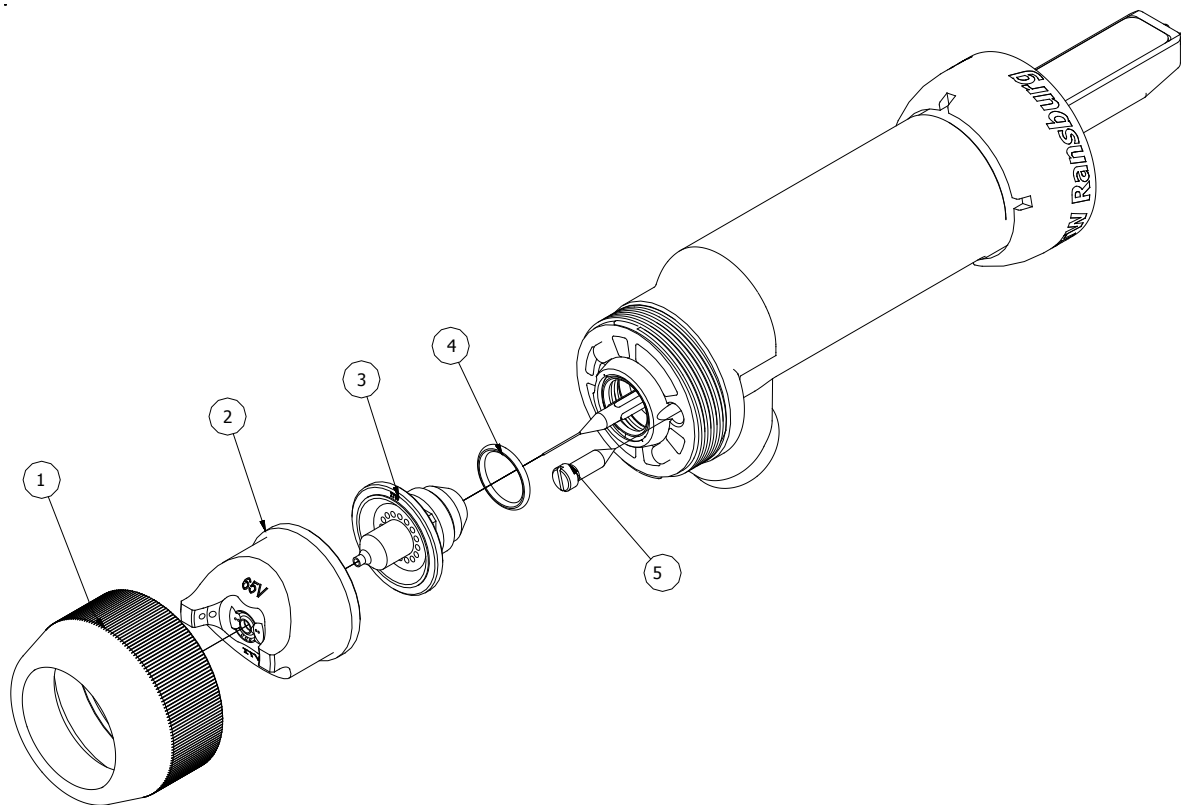
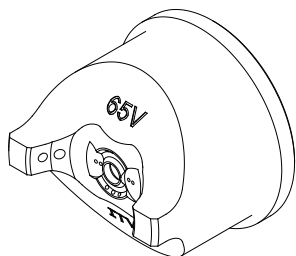


Figure 1: Disassembled View

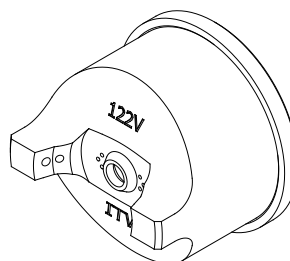
TRANS-TECH. ATOMIZATION - PARTS LIST

Item #	Part #	Description	Qty
1	79379-00	Nut, Retaining, Air Nozzle	1
2	79374-65	Standard Air Spray Cap, Air	1
	79374-122	Trans-Tech. Air Spray Cap, Air (Included in 79555 Kit)	
3	79377-XX	Standard Air Spray Nozzle, Fluid	1
	79552-XXX	Trans-Tech. Air Spray Nozzle, Fluid (Included in 79555 Kit)	
4	79001-09	O-Ring, Solvent Proof	1
5	74963-05	Standard Air Spray Restrictor, Black, Vector	1
	74963-06	Trans-Tech. Air Spray Restrictor, Green(Included in 79555 Kit)	1

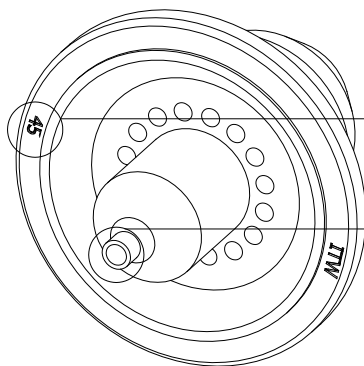
PARTS COMPARISON



Standard Air Spray Air Cap 79374-65

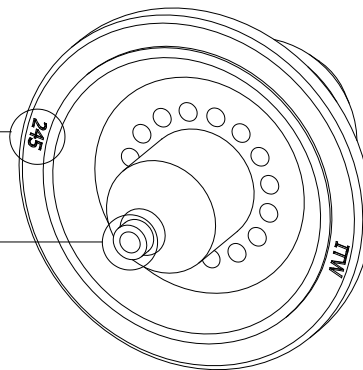


Trans-Tech. Air Spray Air Cap 79374-122



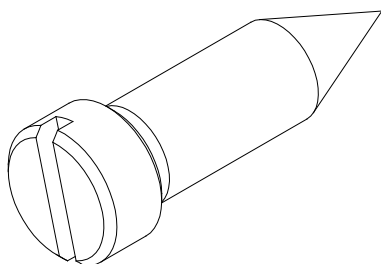
Standard Air Spray Fluid Nozzle 79377-XX

Standard Air Spray Nozzles have a number between 44 and 148; Trans-Tech. Air Spray Nozzles have a number between 244 and 348

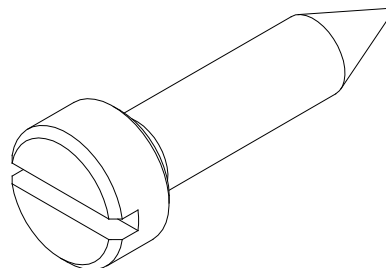


Trans-Tech. Air Spray Fluid Nozzle 79552-XXX

Standard Air Spray Nozzles have a longer, narrower tip; Trans-Tech. Air Spray Nozzles have a shorter, wider tip, and have a shorter overall length



Standard Air Spray Restrictor 74963-05



Trans-Tech. Air Spray Restrictor 74963-06

Manufacturing
1910 North Wayne Street
Angola, Indiana 46703-9100
Telephone: 260/665-8800

Ransburg Technical/Service Assistance Telephone: 800/ 233-3366

© 2013 Ransburg. All rights reserved.
Models and specifications subject to change without notice.



Form No. SI-06-06.2
Litho in U.S.A.