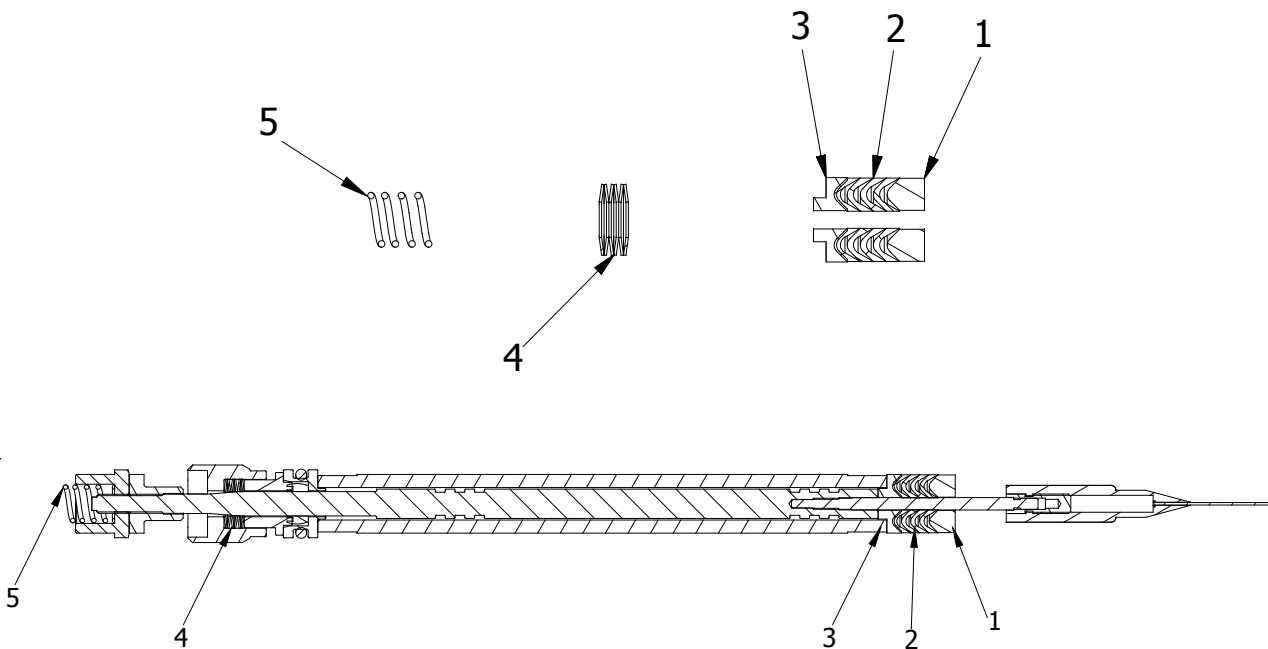


SERVICE INSTRUCTION

Vector 2k Packing Repair Kit (79629-00) for needle shaft assemblies 79599-01 and 79599-02

The 79629-00 kit contains the wear components associated with the Vector 2k needle shaft assembly. Please use all of the components in this kit when making a repair; the integrity of the repair and the longevity are based on all of the components working together. See the drawing below and assemble the parts in the order as shown. Lubricate the needle shaft assembly with LSCH0009-00 dielectric grease before reassembly of the needle shaft. To install this kit, refer to the current Vector R90, R70 service manuals for detailed instructions and illustrations. (Reference www.ransburg.com)



Item #	Part #	Description	Qty
1	74653-00	Adapter, Male Chevron	1
2	14323-00	Seal, Chevron	4
3	18821-00	Adapter, Female Chevron	1
4	17390-04	Washer, Beville Spring	6
5	78824-00	Spring	1
6	SI-07-02.1	Service Instruction	1

Manufacturing
1910 North Wayne Street
Angola, Indiana 46703-9100
Telephone: 260/665-8800
Fax: 260/665-8516

Ransburg Technical/Service Assistance
Telephone: 800/ 233-3366
www.ransburg.com

© 2013 Ransburg. All rights reserved.
Models and specifications subject to change without notice.



Form No. SI-07-02.2
Litho in U.S.A.
