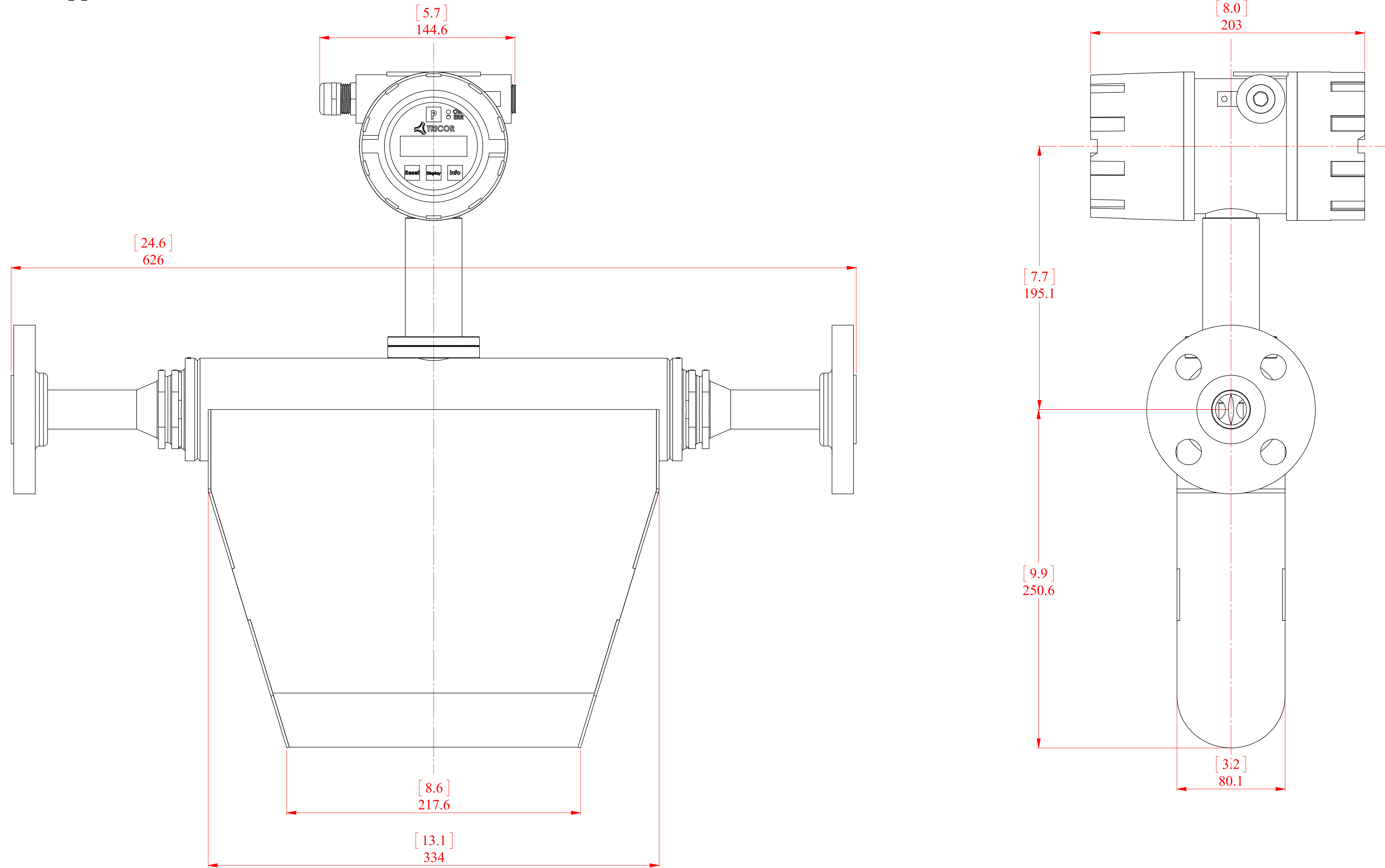


TCM-28K (1") + Field Mount Electronics

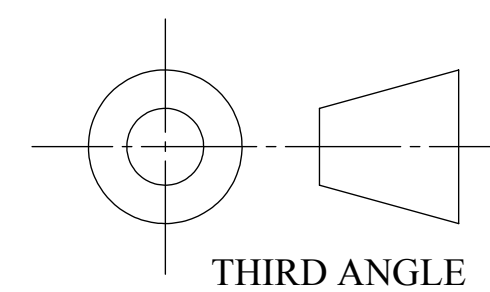
Unit Mass: 28 lbs approx.



REV.	DESCRIPTION	DATE	APPROVED
A	INITIAL RELEASE	9/15/2011	SAH
	REVISIONS		

AW-LAKE COMPANY USE ONLY
PURCHASED PART

THIS PRINT, INCLUDING THE INFORMATION CONTAINED IN IT IS THE PROPERTY OF AW-LAKE COMPANY. IT IS CONSIDERED PROPRIETARY IN NATURE AND MAY NOT BE USED OR DISCLOSED OUTSIDE OF AW-LAKE COMPANY, EXCEPT UNDER PRIOR WRITTEN AGREEMENT. ANY MODIFICATIONS MADE TO OR COMMENTS WRITTEN ON THIS DRAWING BY UNAUTHORIZED PERSONNEL WILL VOID THIS DRAWING. ALL DIMENSIONS SHOWN ARE SUBJECT TO CHANGE WITHOUT NOTICE.



TOLERANCES UNLESS NOTED
MERIC

.XXX +/- .013
.XX +/- .025
.X +/- .25

FRAC. +/- 1/64
ANG. +/- 0.1 DEG
SURFACE FINISH: 64 MAX

PROJECT NAME: TRICOR	
PART DESCRIPTION: TCM-28K (1") + FIELD MOUNT	
MATERIAL: NA	
FINISH: NA	
HARDENING: NA	
DRAWING NUMBER: TCM-28K-Ax-xxxx	
PART NUMBER: TCM-28K	REV: A
DRAWN BY: S. HONSBERGER	DATE: 09/15/11
PAGE: 1 OF 2	SCALE: 1:1.5



8809 INDUSTRIAL DR.
FRANKSVILLE, WI
53126
TEL. # (262) 884-9800
FAX. # (262) 884-9810