

RansFlex Applicator - Air Assist (80885)

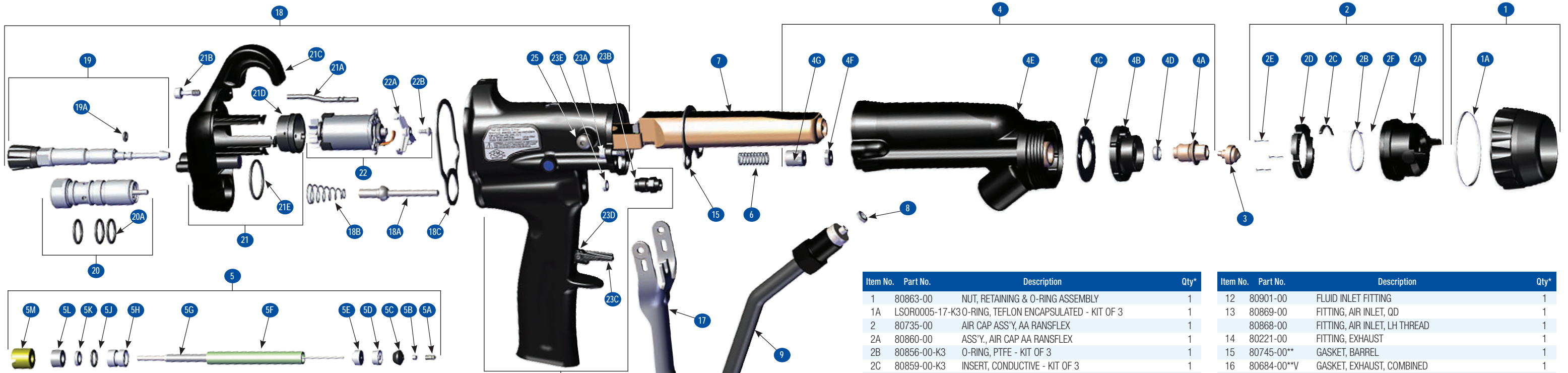


TABLE "A"

Tip Description	Tip P/N
CARBIDE TIP - 0509	80740-0509
CARBIDE TIP - 0511	80740-0511
CARBIDE TIP - 0513	80740-0513
CARBIDE TIP - 0811	80740-0811
CARBIDE TIP - 0813	80740-0813
CARBIDE TIP - 1009	80740-1009
CARBIDE TIP - 1011	80740-1011
CARBIDE TIP - 1013	80740-1013
CARBIDE TIP - 1015	80740-1015
CARBIDE TIP - 1018	80740-1018
CARBIDE TIP - 1021	80740-1021
CARBIDE TIP - 1311	80740-1311
CARBIDE TIP - 1313	80740-1313
CARBIDE TIP - 1315	80740-1315
CARBIDE TIP - 1318	80740-1318
CARBIDE TIP - 1511	80740-1511
CARBIDE TIP - 1513	80740-1513
CARBIDE TIP - 1515	80740-1515
CARBIDE TIP - 1518	80740-1518
CARBIDE TIP - 1521	80740-1521
CARBIDE TIP - 1715	80740-1715

TABLE "B"

Tip Description	Tip P/N
W PRE-ORFICE - 0511	80907-0511
W PRE-ORFICE - 0513	80907-0513
W PRE-ORFICE - 0811	80907-0811
W PRE-ORFICE - 0813	80907-0813
W PRE-ORFICE - 1009	80907-1009
W PRE-ORFICE - 1011	80907-1011
W PRE-ORFICE - 1013	80907-1013
W PRE-ORFICE - 1015	80907-1015
W PRE-ORFICE - 1018	80907-1018
W PRE-ORFICE - 1021	80907-1021
W PRE-ORFICE - 1311	80907-1311
W PRE-ORFICE - 1313	80907-1313
W PRE-ORFICE - 1315	80907-1315
W PRE-ORFICE - 1318	80907-1318
W PRE-ORFICE - 1511	80907-1511
W PRE-ORFICE - 1513	80907-1513
W PRE-ORFICE - 1515	80907-1515
W PRE-ORFICE - 1518	80907-1518
W PRE-ORFICE - 1521	80907-1521
W PRE-ORFICE - 1715	80907-1715

TIP PATTERN SIZES

Tip designations are pattern height then orifice opening.
Example:
 0513 – Pattern Height 5" (127mm), .013" (0.33mm) orifice opening. Pattern sizes determined by sprays using 20 sec. Zahn #2 material at 1500 psig (104 bar).

All tips listed follow this sequence.

Item No.	Part No.	Description	Qty*
1	80863-00	NUT, RETAINING & O-RING ASSEMBLY	1
1A	LSOR0005-17-K3	O-RING, TEFLON ENCAPSULATED - KIT OF 3	1
2	80735-00	AIR CAP ASS'Y, AA RANSFLEX	1
2A	80860-00	ASS'Y., AIR CAP AA RANSFLEX	1
2B	80856-00-K3	O-RING, PTFE - KIT OF 3	1
2C	80859-00-K3	INSERT, CONDUCTIVE - KIT OF 3	1
2D	80857-00	RING, POSITION AA RANSFLEX	1
2E	80849-00-K3	0-80 X 3/8" MACHINE SCREW - KIT OF 3	3
2F	80738-00	RANSFLEX AA ELECTRODE	1
3	80740-XXXX	ASSEMBLY, TIP	1
	80907-XXXX	ASSEMBLY, TIP, W/SAPPHIRE SEE TABLE "B"	1
4	80731-00	AIR ASSIST BARREL ASSEMBLY WITH NEEDLE SHAFT (INCLUDES APP PARTS IN ITEM 5)	1
4A	80761-00	AIR ASSIST FLUID NOZZLE ASSEMBLY	1
4B	80897-00	ASS'Y., BAFFLE	1
4C	80749-00	BAFFLE GASKET	1
4D	80762-00-K3	SEAL, NOZZLE - KIT OF 3	1
4E	80760-00	ASS'Y., AA BARREL	1
4F	80763-00	NUT, FRONT JAM	1
4G	80764-00	NUT, REAR JAM	1
5	80744-00	RANSFLEX AIR ASSIST NEEDLE SHAFT ASSEMBLY	1
5A	73350-00	ASS'Y., VALVE, BALL	1
5B	73351-00	NUT, JAM	1
5C	79618-00	SPREADER, SEAL, MACHINED	1
5D	73345-00-K3	SEAL, FRONT U-CUP - KIT OF 3	1
5E	73346-00	PUSHER, SEAL	1
5F	80758-00	TUBE, PACKING	1
5G	80741-00	ASS'Y., NEEDLE SHAFT RANSFLEX AA	1
5H	73347-00	CONTAINER, REAR SEAL	1
5J	72209-05-K3	O-RING, VITON, METRIC, TABLED - KIT OF 3	1
5K	74330-00	SEAL, LIP, SPRING ENERGIZED	1
5L	73348-00	RETAINER, REAR SEAL	1
5M	73354-00	NUT, PACKING	1
6	80876-00	SPRING, FLUID RETURN	1
7	80250-85	ASS'Y., CASCADE	1
8	72375-02-K3	SEAL, PTFE - KIT OF 3	1
9	80855-00	FLUID, TUBE ASSEMBLY, RANSFLEX AA	1
10	7720-02-K3	FILTER, PAINT 60 MESH (STD.) - KIT OF 3	1
	7720-01-K3	FILTER, PAINT 100 MESH - KIT OF 3	1
11	80899-00	FLUID INLET NUT	1

Item No.	Part No.	Description	Qty*
12	80901-00	FLUID INLET FITTING	1
13	80869-00	FITTING, AIR INLET, QD	1
	80868-00	FITTING, AIR INLET, LH THREAD	1
14	80221-00	FITTING, EXHAUST	1
15	80745-00**	GASKET, BARREL	1
16	80684-00**V	GASKET, EXHAUST, COMBINED	1
17	80211-00	ASS'Y, TRIGGER (2 FINGER)	1
	80386-00	ASS'Y, TRIGGER (4 FINGER)	1
	80566-00	2 FINGER SMALL PROFILE	1
18	80730-00	HANDLE & REAR COVER ASSEMBLY CONTAINS ITEMS 19, 20, 21, 22 AND 23	1
18A	80244-00	ASS'Y., VALVE, AIR	1
18B	80533-00-K3	SPRING, AIR VALVE - KIT OF 3	1
18C	80732-00**	GASKET, REAR	1
19	80273-00	ASS'Y., VALVE FAN AIR	1
19A	79001-16-K3**	O-RING, SOLVENT PROOF - KIT OF 3	1
20	80262-01	ASS'Y. VALVE CARTRIDGE, FLUID (NON-ADJUSTABLE)	1
20A	79001-08-K3**	O-RING, SOLVENT PROOF - KIT OF 3	3
21	80378-00	REAR COVER & MOTOR ASSEMBLY (CONTAINS ITEM 22)	1
21A	80213-00-K5	PIPE, LIGHT - KIT OF 5	1
21B	80274-00	M4 X .7 SHCS	1
21C	80254-00	COVER, REAR ASM. (CONTAINS 21B)	1
21D	79775-00	BLOCK, PORTING	1
21E	7554-61-K3**	O-RING, VITON - KIT OF 3	1
22	80255-00	ASS'Y, MOTOR (CONTAINS 22A AND 22B)	1
22A	80217-00	COVER SUPPORT, MOTOR MOLDED	1
22B	79796-00-K3	SCREW, MOTOR - KIT OF 3	3
23	80733-00	ASS'Y., HANDLE	1
23A	80274-00	M4 X .7 SHCS	2
23B	80229-00-K3	O-RING, RETAINING, AIR VALVE - KIT OF 3	1
23C	80748-00	TRIGGER LOCK	1
23D	80747-00	TRIGGER LOCK PIN	1
23E	10051-05**	CUP SEAL	1
24	80874-00	ASS'Y, RANSFLEX AA FLUID BRACKET	1
25	80268-00	SCREW, TRIGGER	2
26	79861-00	TUBING, CLEAR	1
27	80558-X0	AIR HOSE, QD	1
	80558-X1	AIR HOSE, LH	1
28	7995-XX	HIGH PRESSURE FLUID HOSE	1



North America
EMEA
China
Japan

1.800.992.4657
44.0.1202.571111
86.21.33730108
81.45.785.6421

marketing@carlisleleft.com
marketing-uk@carlisleleft.com
mkt_cn@carlisleleft.com
jp-rans-tokyosales@carlisleleft.com



* Quantity required per applicator
 ** Included in 80904-00 Soft Parts Kit