

RansFlex RX (45 kV), RFX (65 kV) Parts Identification

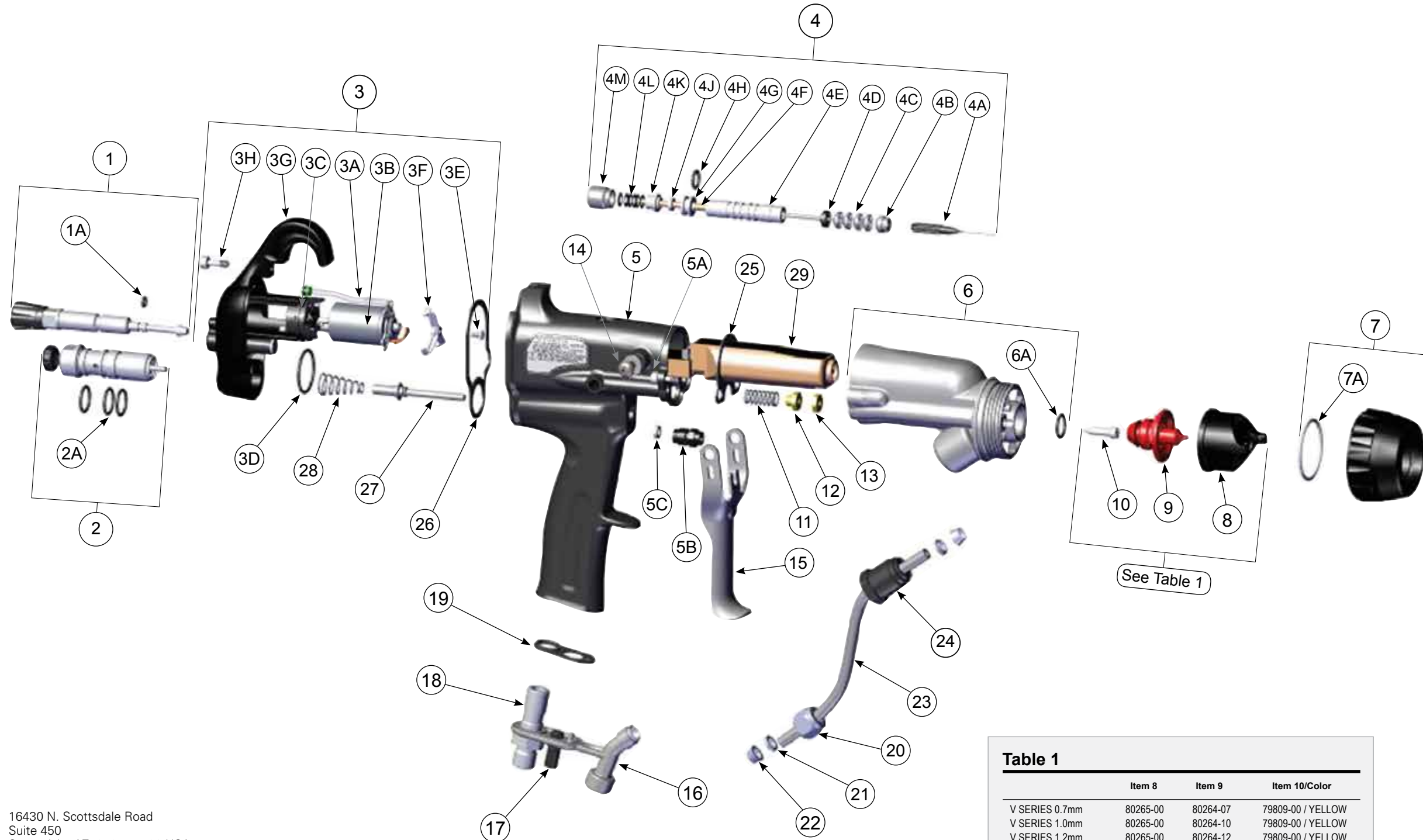


Table 1

	Item 8	Item 9	Item 10/Color
V SERIES 0.7mm	80265-00	80264-07	79809-00 / YELLOW
V SERIES 1.0mm	80265-00	80264-10	79809-00 / YELLOW
V SERIES 1.2mm	80265-00	80264-12	79809-00 / YELLOW
V SERIES 1.4mm	80265-00	80264-14	79809-00 / YELLOW
V SERIES 1.8mm	80265-00	80264-18	79809-00 / YELLOW
C SERIES 1.2mm	80231-00	80230-12	79809-03 / WHITE
C SERIES 1.4mm	80231-00	80230-14	79809-03 / WHITE
C SERIES 1.8mm	80231-00	80230-18	79809-03 / WHITE
T SERIES 0.7mm	80240-00	80239-07	74963-05 / BLACK
T SERIES 1.0mm	80240-00	80239-10	74963-05 / BLACK
T SERIES 1.2mm	80240-00	80239-12	74963-05 / BLACK
T SERIES 1.4mm	80240-00	80239-14	74963-05 / BLACK
T SERIES 1.8mm	80240-00	80239-18	74963-05 / BLACK
ROUND SPRAY	79962-00	80400-00	74963-05 / BLACK

Item #	Part No.	Description	Qty
1	80273-00	ASSEMBLY, FAN VALVE (INCLUDES ALL PARTS SHOWN)	1
1A	79001-16	O-RING, SOLVENT PROOF	1
2	80262-00	ASSEMBLY, FLUID CARTRIDGE (INCLUDES O-RINGS SHOWN)	1
	80262-01	ASSEMBLY, FLUID CARTRIDGE (NON-ADJUSTABLE) INCLUDES O-RING	1
2A	79001-08	O-RING, SOLVENT PROOF	3
3	80378-00	COVER, REAR ASSEMBLY (INCLUDES ALL PARTS SHOWN)	1
3A	80213-00	PIPE, LIGHT	1
3B	80255-00	ASSEMBLY, MOTOR	1
3C	79755-00	BLOCK, PORTING	1
3D	7554-61	O-RING, SOLVENT RESISTANT	1
3E	80275-00	SCREW	1
3F	80219-00	BRACKET, LOCKING	1
3G	80254-00	COVER, REAR	1
3H	80274-00	SCREW, REAR COVER	1
4	80263-45	NEEDLE SHAFT ASSEMBLY (INCLUDES ALL PARTS SHOWN)	1
4	80263-65	NEEDLE SHAFT ASSEMBLY (INCLUDES ALL PARTS SHOWN)	1
4A	70430-01	ASSEMBLY ELECTRODE, HIGH WEAR	1
	70430-01-K3	KIT OF 3 ELECTRODES	1
4B	80677-00	ADAPTER, MALE	1
4C	14323-00	SEAL, CHEVRON, 3/8 DIA.	4
	14323-00-K4	SEAL, CHEVRON (KIT OF 4)	1
4D	18821-00	ADAPTER, FEMALE, CHEVRON	1
4E	80257-45	TUBE, PACKING RX (45kV)	1
	80257-65	TUBE, PACKING RFX (65kV)	1
4F	80225-45	NEEDLE SHAFT ASSEMBLY RX (45kV)	1
	80225-65	NEEDLE SHAFT ASSEMBLY RFX (65kV)	1
4G	79001-06	O-RING, SOLVENT PROOF	1
4H	78629-00	RETAINER, NEEDLE SEAL, REAR	1
4J	10051-05	CUP SEAL, SPRING LOADED	1
4K	78630-00	SPACER, SEAL	1
4L	17390-04	WASHER, SPRING, BELVILLE	6
	17390-04-K6	WASHER, SPRING, BELVILLE (KIT OF 6)	1
4M	78631-00	NUT, PACKING	1
5	80870-00	ASSEMBLY, HANDLE INCLUDES ALL PARTS BELOW, MOTOR CONTROL BOARD AND HARNESS	1
5A	80274-00	SCREW, BARREL-HANDLE	2
5B	80229-00	NUT, RETAINING, AIR VALVE	1
5C	10051-05	CUP SEAL, SPRING LOADED	1
6	80376-00	BARREL (INCLUDES O-RING) RX (45kV)	1
6A	79001-07	O-RING, SOLVENT PROOF	1
6	80379-00	BARREL (INCLUDES O-RING) RFX (65kV)	1
6A	79001-07	O-RING, SOLVENT PROOF	1
7	80377-00	NUT, RETAINING & O-RING ASSEMBLY INCLUDES ALL PARTS SHOWN	1
7A	LSOR0005-17	O-RING, ENCAPSULATED	1
11	80258-00	SPRING, FLUID RETURN	1
12	80243-00	NUT, FRONT JAM	1
13	80242-00	NUT, REAR JAM	1
14	80268-00	SCREW, TRIGGER	2
15	80211-00	ASSEMBLY, TRIGGER	1
16	80212-00	BRACKET, FLUID	1
17	80221-00	FITTING, EXHAUST	1
18	80868-00	FITTING, AIR INLET	1
	80869-00	QD AIR FITTING	1
19	80684-00	GASKET, EXHAUST	1
20	EMF-201-04	NUT, HEX, NYLON	1
21	EMF-203-04	FERRULE, FRONT 1/4"	2
22	EMF-202-04	FERRULE, BACK 1/4"	2
23	80269-45	STANDARD FLUID INLET TUBE RX (45kV)	1
	80269-65	STANDARD FLUID INLET TUBE RFX (65kV)	1
	79879-01	COILED FLUID INLET TUBE	1
24	80346-00	NUT, CONNECTOR	1
25	80745-00	GASKET, BARREL	1
26	80732-00	GASKET, REAR	1
27	80244-00	ASSEMBLY, VALVE, AIR	1
28	80533-00	SPRING, AIR VALVE	1
29	80250-45	ASSEMBLY, CASCADE RX (45 kV)	1
	80250-65	ASSEMBLY, CASCADE RFX (65 kV)	1

16430 N. Scottsdale Road
Suite 450
Scottsdale, AZ 85254-1526 USA
Toll Free: 800-909-6886
Fax: 419-470-2270
info@carlisleleft.com
www.carlisleleft.com

IL-445, 11/17
©2017 Carlisle Fluid Technologies, Inc. All rights reserved.