



SERVICE INSTRUCTION
SI-70-52-8

RPM (Mini) Atomizer Bell, 30 MM, Installation

When using the DeVilbiss Mini Atomizer Bell, be sure to install the RPM-76 shaft plug (provided with Bell) into the shaft as shown. Install and tighten the bell according to the service manual.

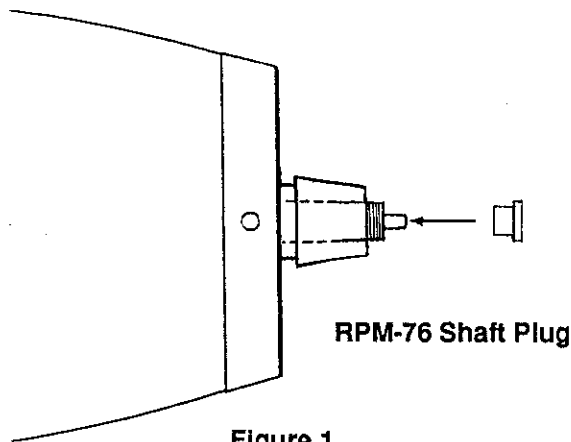


Figure 1

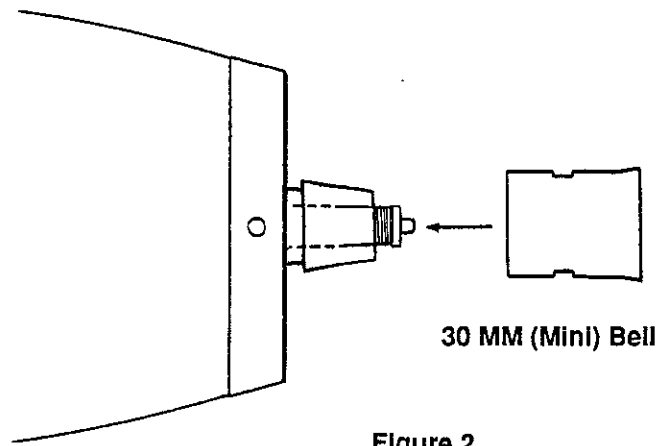


Figure 2