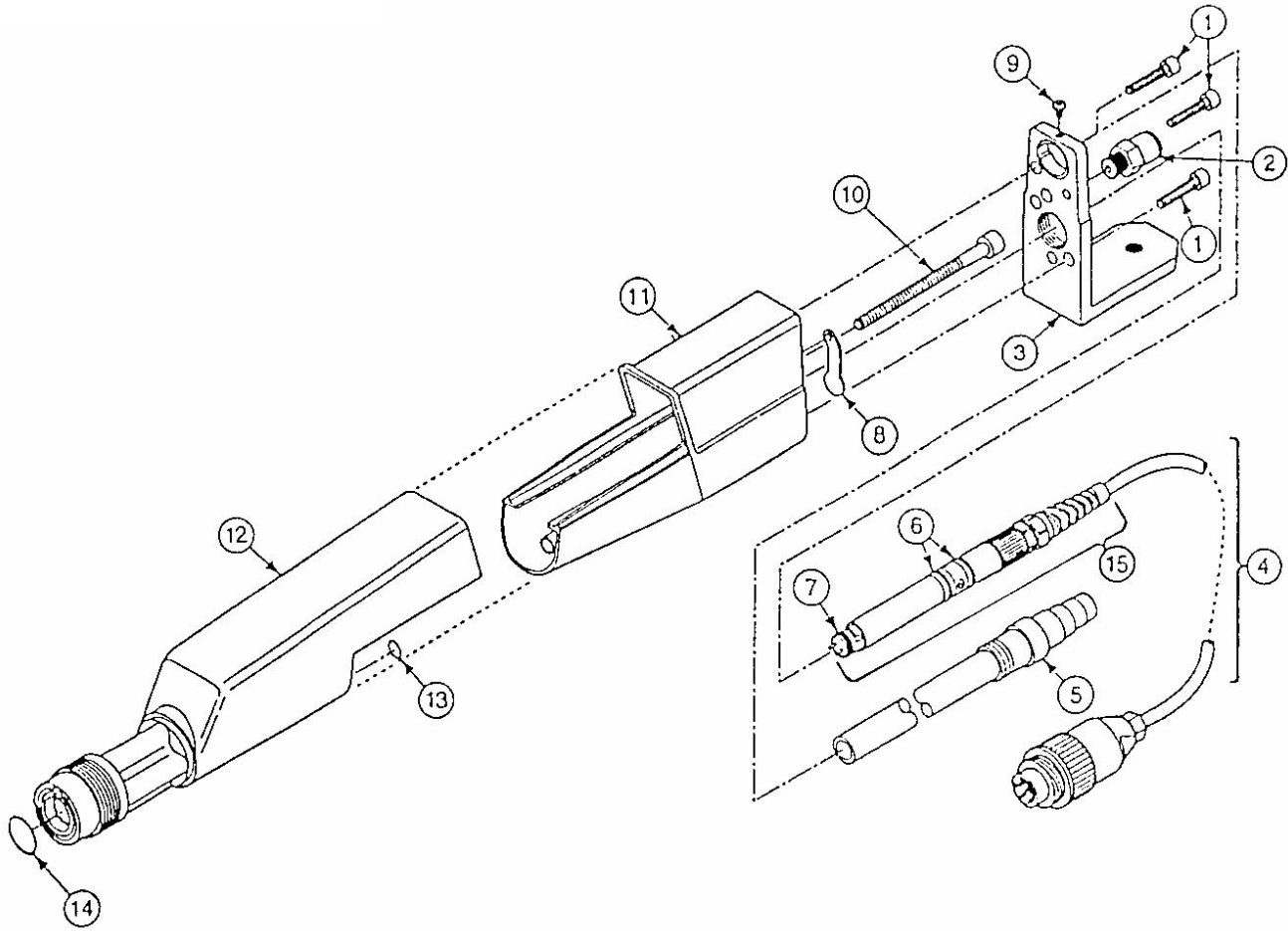


## PG-1A Automatic Gun



| Item | Description                | Part No. | Order No.** |
|------|----------------------------|----------|-------------|
| 1    | Screw, socket head         | 216429   | 112417      |
| 2    | Connector, rinsing air     | 234842   | 111103      |
| 3    | Bracket, gun support       | 339202   | 112416      |
|      | Mounting bolt              | 216500   | 113161      |
| 4    | Cable assembly:            |          |             |
|      | 36 ft.                     | 334677   | 112418      |
|      | 65 ft.                     | 345946   | 114955      |
| 5    | Powder tube/hose connector | 334588   | 112419      |
|      | Connector, powder hose     | 344010   | 119344      |
| 6    | O-ring                     | 232556   | 110350      |
|      | Powder tube w/QD conn.     | 361500   | 122319      |
| 7    | O-ring                     | 232564   | 111038      |
| 8    | Gasket, rinsing air        | 339210   | 112415      |

| Item              | Description               | Part No. | Order No.** |
|-------------------|---------------------------|----------|-------------|
| 9                 | Screw lock                | 216763   | 112413      |
| 10                | Bolt, plastic             | 234435   | 112414      |
| 11                | Gun support               | 339199   | 114758      |
| 12                | Barrel, cascade assembly: |          |             |
|                   | Negative polarity         | 342947   | 112411      |
|                   | Positive polarity         | 342955   | 112421      |
| 13                | O-ring                    | 233099   | 107120      |
| 14                | O-ring, 1.6mm             | 232670   | 107116      |
| 15                | Connector complete        | 128729   | 128729      |
| <b>Not shown:</b> |                           |          |             |
|                   | Plug, 7 pin, male         | 200085   | 106855      |
|                   | Ftg., QD, pump, 6mm       | 200840   | 106540      |
|                   | Cleaning brush            | 333514   | 110211      |

\*\* Please use the "Order No." column when placing orders