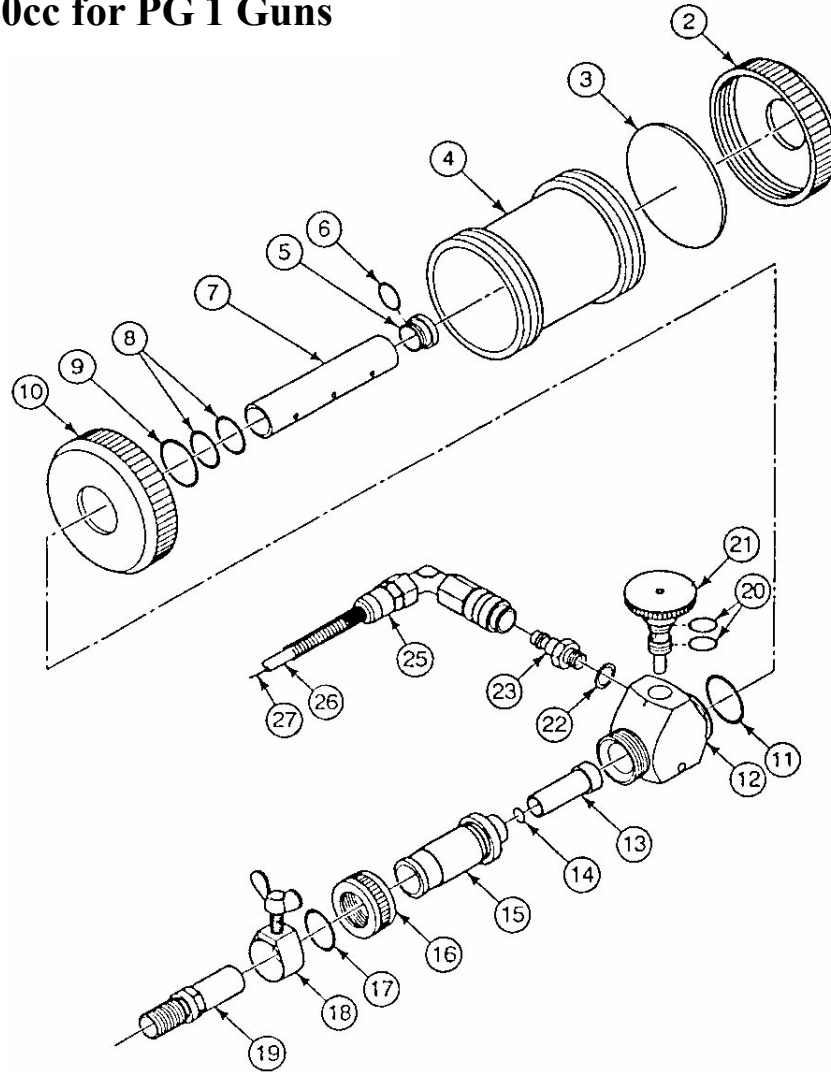


## Fluidized Cup, 180cc for PG 1 Guns



Item	Description	Part No.	Order No.**
	Cup kit, 180cc	115490	115490
	Cup complete (includes 115505, 115506 and 115507)	115498	115498
	Lid, spare, 180 cc cup unit	115505	115505
2	Lid, bottom	115506	115506
3	Plate, fluidizing	115507	115507
4	Cup, 180cc, (reference only)		
5	Suction nozzle	242527	112192
6	O-ring	242616	112191
7	Suction tube only	115503	115503
	Suction tube, compl. (incl. 5-7)	115499	115499
8	O-ring	115006	115006
9	O-ring	115501	115501
10	Powder container, screw cap	242543	112187
11	O-ring	115502	115502
12	Vacuum nozzle, injector (includes 8-12 and 20-23)	115495	115495
13	Insert sleeve	242578	112182

Item	Description	Part No.	Order No.**
14	O-ring	235725	110307
15	Insert sleeve holder	242586	112181
16	Clamp ring	242608	112179
17	O-ring gasket	242489	112178
	Gun connector clamp	242594	112180
	Connecting piece (incl. 13-18)	115494	115494
19	Gun connection	337595	115530
20	O-ring	242470	112184
21	Vacuum noz. valve (ref. only)		
	Vacuum noz. valve (incl. 20-21)	242551	112185
22	Gasket	241911	115500
23	Quick release coupling	112173	237272
	Tubing assembly (incl. 24-27)	115581	115581
24	Ftg., QD, 6mm hose	200840	106540
25	Ftg., hose spring, 6mm hose	201308	107082
26	Tubing, red, 6mm	107062	106475
27	Cable, ground	113191	113191

\*\* Please use the "Order No." column when placing orders