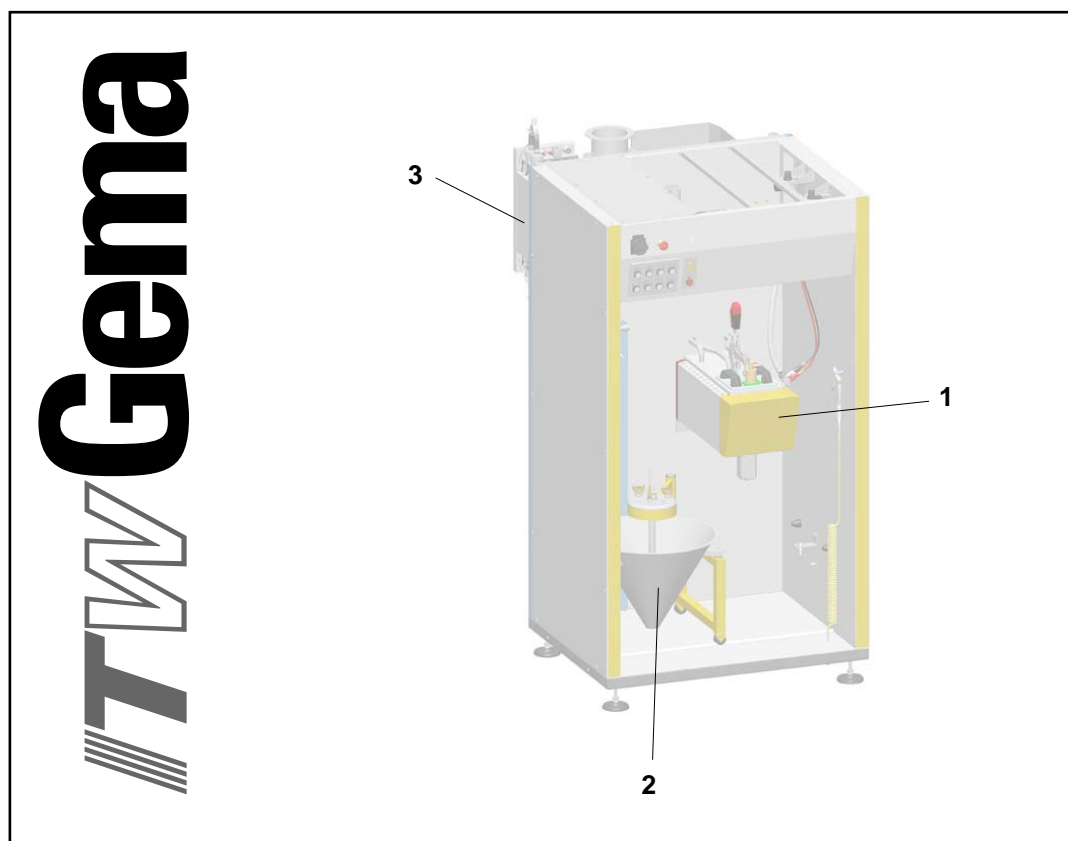


OptiCenter OC01/02 Powder management center



Translation of the original operating instructions

Documentation OptiCenter OC01/02

© Copyright 2006 ITW Gema GmbH

All rights reserved.

This publication is protected by copyright. Unauthorized copying is prohibited by law. No part of this publication may be reproduced, photocopied, translated, stored on a retrieval system or transmitted in any form or by any means for any purpose, neither as a whole nor partially, without the express written consent of ITW Gema GmbH.

OptiFlex, OptiTronic, OptiGun, EasyTronic, OptiSelect, OptiFlow and SuperCorona are registered trademarks of ITW Gema GmbH.

OptiStar, OptiMatic, OptiMove, OptiMaster, OptiPlus, OptiSpray, MultiTronic and Gematic are trademarks of ITW Gema GmbH.

All other product names are trademarks or registered trademarks of their respective holders.

Reference is made in this manual to different trademarks or registered trademarks. Such references do not mean that the manufacturers concerned approve of or are bound in any form by this manual. We have endeavored to retain the preferred spelling of the trademarks, and registered trademarks of the copyright holders.

To the best of our knowledge and belief, the information contained in this publication was correct and valid on the date of publication. ITW Gema GmbH makes no representations or warranties with respect to the contents or use of this publication, and reserves the right to revise this publication and make changes to its content without prior notice.

Printed in Switzerland

ITW Gema GmbH
Mövenstrasse 17
9015 St.Gallen
Switzerland

Phone: +41-71-313 83 00
Fax.: +41-71-313 83 83

E-Mail: info@itwgema.ch
Homepage: www.itwgema.ch

Table of contents

Spare parts list	3
Ordering spare parts	3
OptiCenter	4
OptiCenter - Powder supply	5
Fluidizing/suction unit	6
OptiSpeeder - complete	7
OptiSpeeder	8
OptiSpeeder - Cover	9
OptiSpeeder - Fluidizing plate	10
OptiSpeeder - Level sensor	11
OptiCenter - Pneumatics	12
Main air supply	13
OptiSpeeder - Pneumatic manifold	14
Pneumatic manifold Cleaning	15
Pinch valve NW15	16
OptiCenter - Roof	17
Shuttle valves pool	18
Pressure regulators pool	19
Monocyclone - Powder transport	20
Monocyclone - Powder transport connection	21

Spare parts list

Ordering spare parts

When ordering spare parts for powder coating equipment, please indicate the following specifications:

- Type and serial number of your powder coating equipment
- Order number, quantity and description of each spare part

Example:

- **Type** OptiCenter OC01/02
Serial number 1234 5678
- Order no. 203 386, 1 piece, Clamp - Ø 18/15 mm

When ordering cable or hose material, the required length must also be given. The spare part numbers of this bulk stock is always marked with an *.

Wearing parts are always marked with a #.

All dimensions of plastic hoses are specified with the external and internal diameter:

Example:

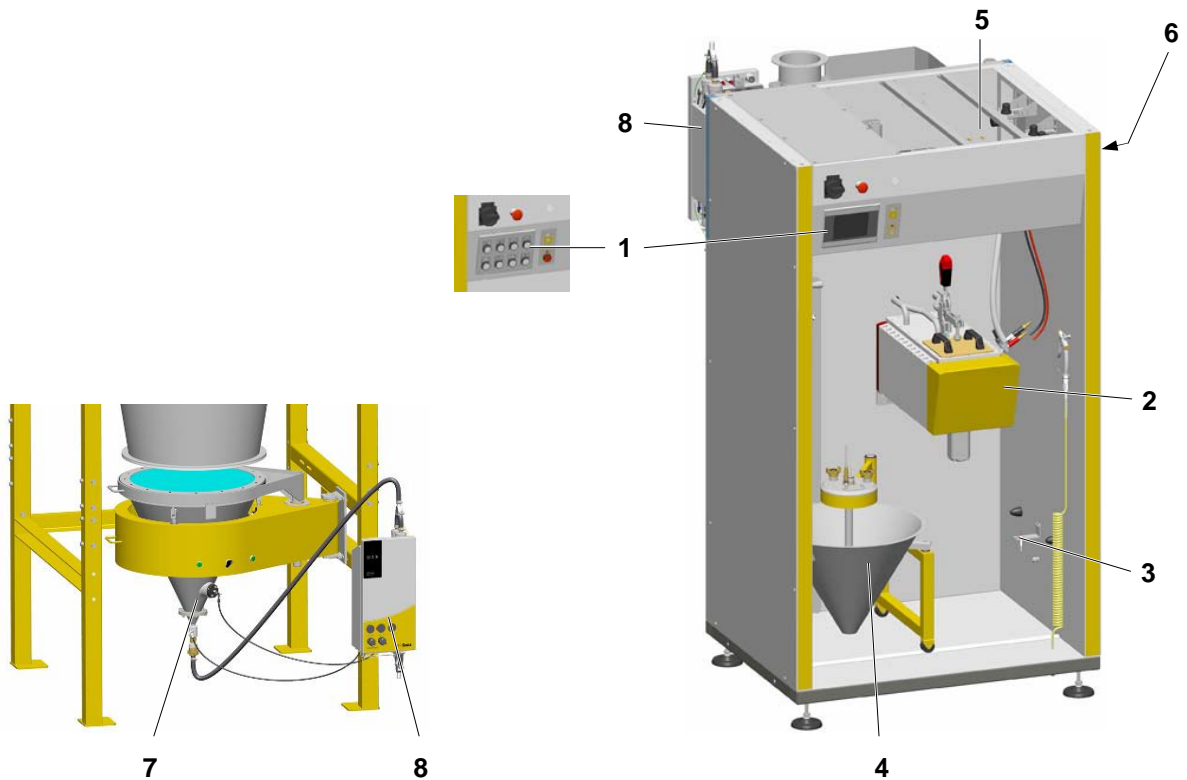
Ø 8/6 mm, 8 mm outside diameter (o/d) / 6 mm inside diameter (i/d)



WARNING!

Only original ITW Gema spare parts should be used, because the explosion protection will also be preserved that way! The use of spare parts from other manufacturers will invalidate the ITW Gema guarantee conditions!

OptiCenter



1 Control unit - see enclosed wiring diagram

2 OptiSpeeder - see corresponding spare parts list

3 Proximity switch 1007 912

4 Powder supply - see corresponding spare parts list

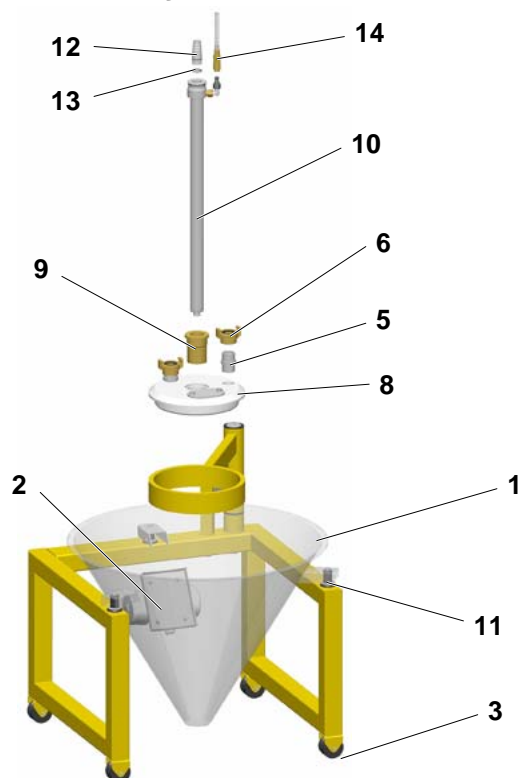
5 Roof - see corresponding spare parts list

6 Pneumatics - see corresponding spare parts list

7 Powder transport - see corresponding spare parts list

8 OptiFeed PP06 Powder pump - see corresponding operating manual

OptiCenter - Powder supply

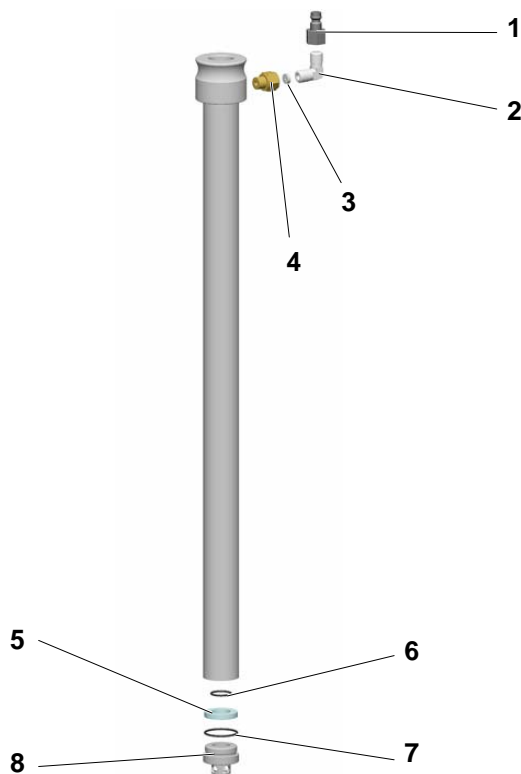


1	Cone	1006 190
2	Vibrator - 220-240 V	1007 082
3	Roller set - 4 rollers + 4 screws	720 001
5	Double nipple - 3/4"a-3/4"a	228 028
6	GEKA coupling - 3/4"-IG	1002 551
8	Cover	1007 177
9	Cover bushing	1005 245
10	Fluidizing/suction unit - Ø 28 mm, complete	1005 332
11	Rubber damper set - Ø 20x25 mm, M6/21 mm (3 pieces)	720 000
12	Hose connection - complete, incl. pos. 13	1007 658
13	O-ring - Ø 16x2 mm	1007 794#
14	Quick release connection - NW5-Ø 6 mm	200 840

Wearing part

* Please indicate length

Fluidizing/suction unit

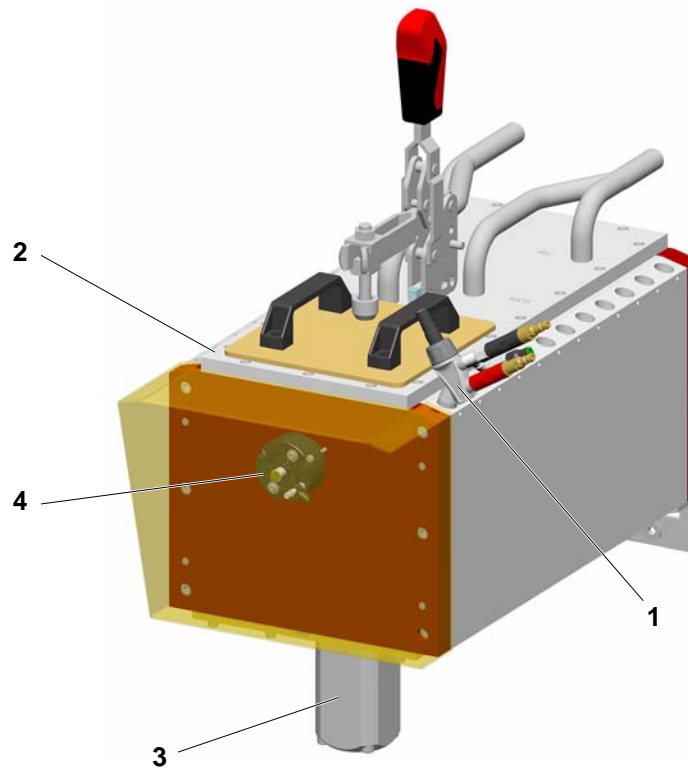


	Fluidizing/suction unit - Ø 28 mm, complete	1005 332
1	Connector - NW5-1/8"i	200 859
2	Elbow joint - 1/8"a-1/8"a	235 733
3	Flow restrictor - Ø 0.3 mm	338 303
4	Adapter nipple - 1/8"i-1/8"a	200 930
	Fluidizing ring set - incl. pos. 5, 6, 7	720 002#
5	Fluidizing ring	
6	O-ring - Ø 14x1.5 mm	
7	O-ring - Ø 22.1x1.6 mm	
8	Foot piece	1005 327

Wearing part

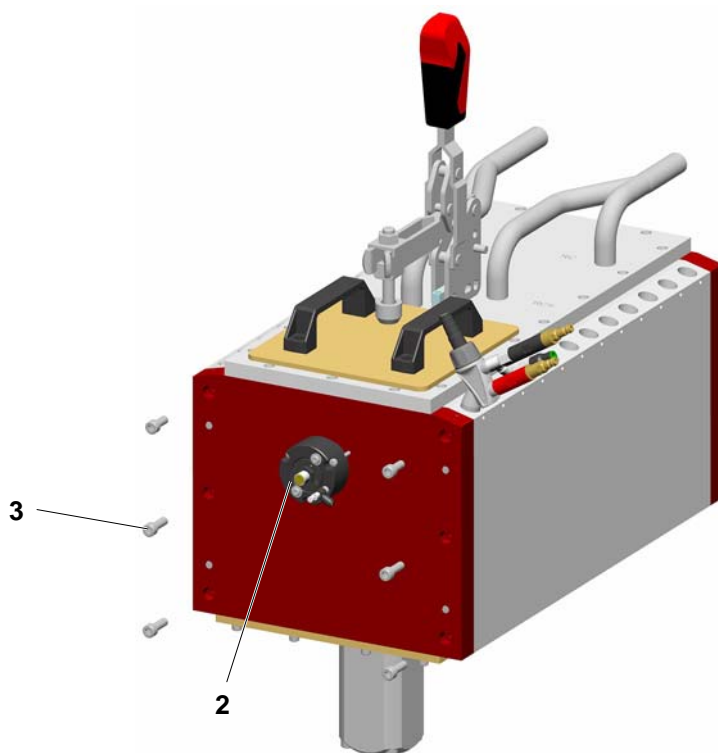
* Please indicate length

OptiSpeeder - complete



1	OptiFlow IG06-P injector - see corresponding operating manual	1007 779
2	OptiSpeeder cover - see corresponding spare parts list	
3	Pinch valve - DN32 G 1 1/4", complete	1007 648
4	Level sensor - see corresponding spare parts list	

OptiSpeeder

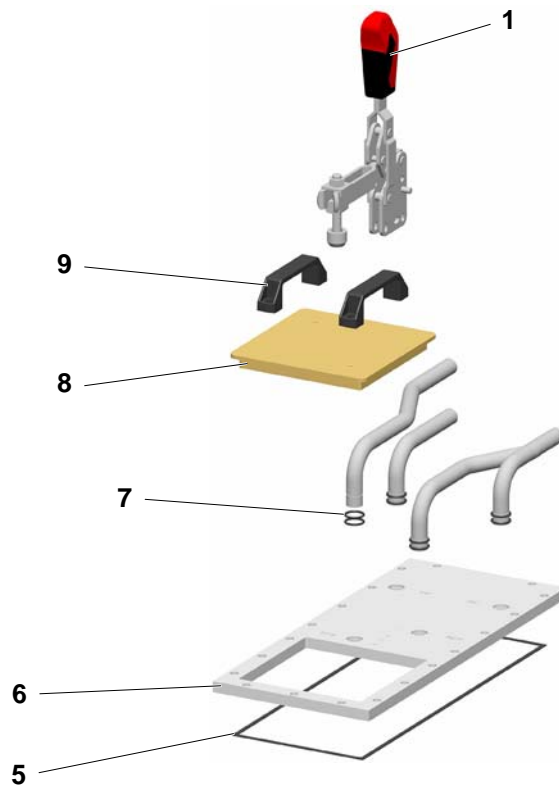


2 Level sensor - see corresponding spare parts list

3 Allen cylinder screw - M8x25 mm

248 436

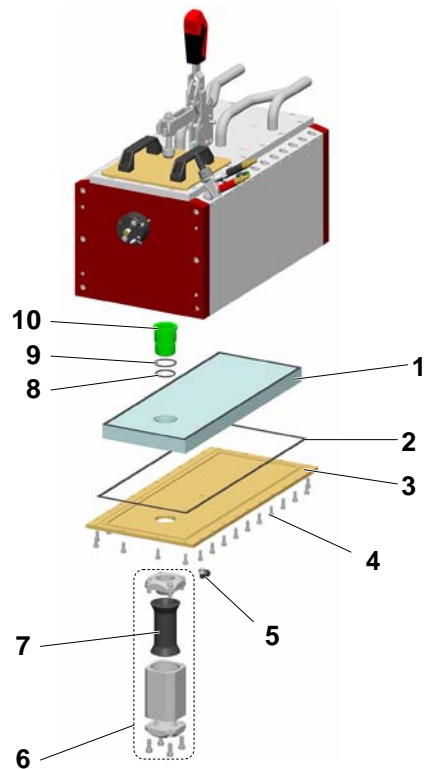
OptiSpeeder - Cover



1	Toggle clamp - complete	1008 017
5	Gasket	1007 781
6	Cover	1007 924
7	O-ring - Ø 21x3 mm	214 981#
8	Cover	1007 927
8.1	O-ring for pos. 8 (not shown)	1008 063#
9	Grip	244 864

Wearing part

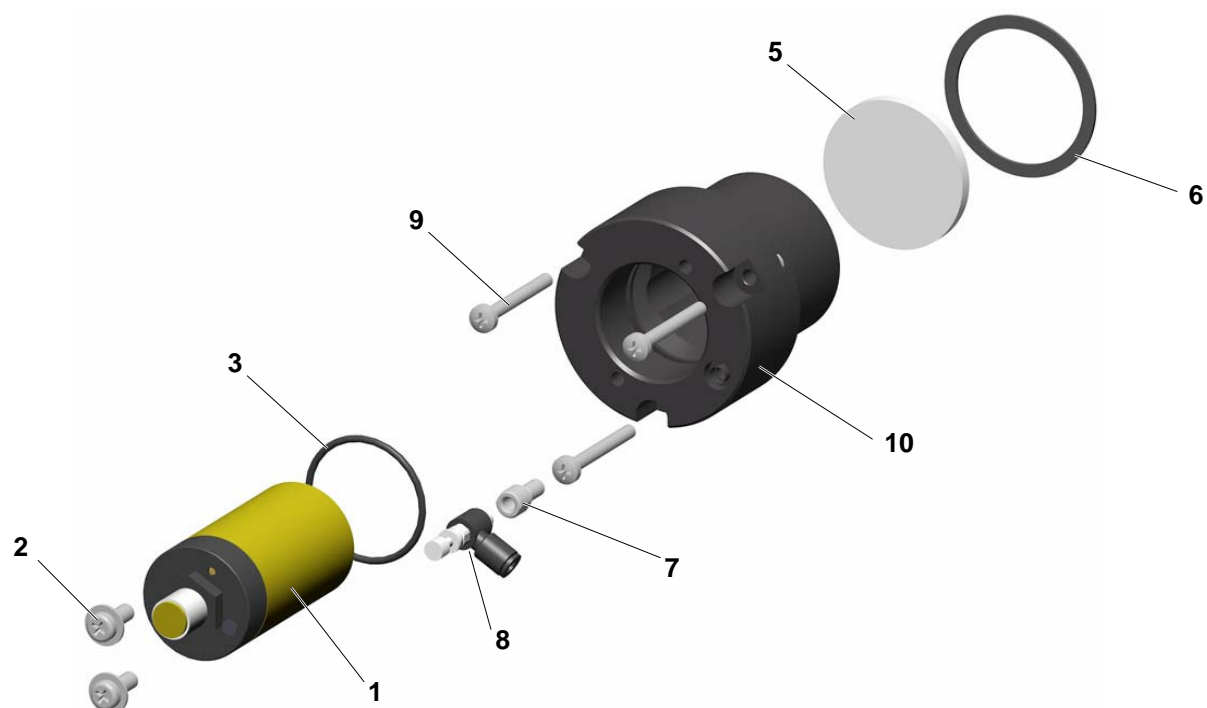
OptiSpeeder - Fluidizing plate



	Bottom fluidizing plate set (incl. pos. 1, 4, 8, 9)	720 005
1	Bottom fluidizing plate - complete	#
2	Gasket	1007 831
3	Fastening plate	1007 786
4	Allen cylinder screw - M6x16 mm	
5	Elbow joint - 1/8" a-Ø 8 mm	251 372
6	Pinch valve - DN32 G 1 1/4", complete	1007 648
7	Pinch valve hose - NW32	1007 647#
8	O-ring - Ø 33x3 mm	#
9	O-ring - Ø 40x3 mm	#
10	Connector	1007 571#

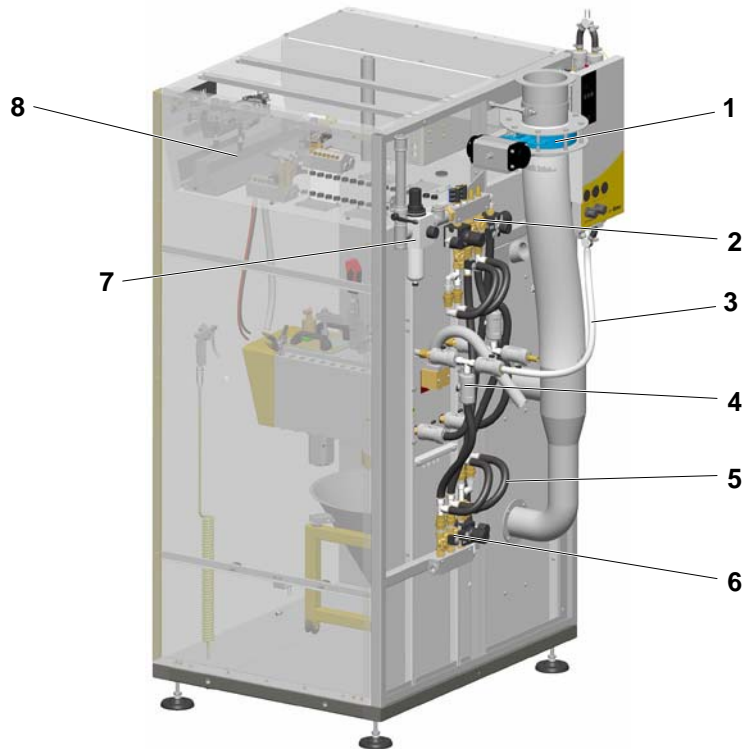
Wearing part

OptiSpeeder - Level sensor



	Level sensor set (incl. pos. 1, 2, 3)	720 003
1	Level sensor - N.O., 10...65 VDC	
2	Cap screw - M5x12 mm	
3	O-ring - Ø 34x2 mm	
4	Cable - for pos. 1 (not shown)	1005 498
	Fluidizing plate set (incl. pos. 5, 6, 7, 8, 9)	720 004
5	Fluidizing plate - Ø 44x4 mm	#
6	Gasket - Ø 47.5x1 mm	#
7	Compressed air connector	
8	Throttle valve - Ø 4-M5x0.8 mm	
9	Cap screw - M4x35 mm	
10	Support	1005 644
	# Wearing part	

OptiCenter - Pneumatics



1 Butterfly valve - see corresponding spare parts list

2 Manifold - see corresponding spare parts list

3 Powder hose - Ø 16/23 mm

1003 307*#

4 Pinch valve - see corresponding spare parts list

5 Compressed air hose - Ø 16.4/26.6 mm

105 155*

6 Pneumatic manifold 2 - see corresponding spare parts list

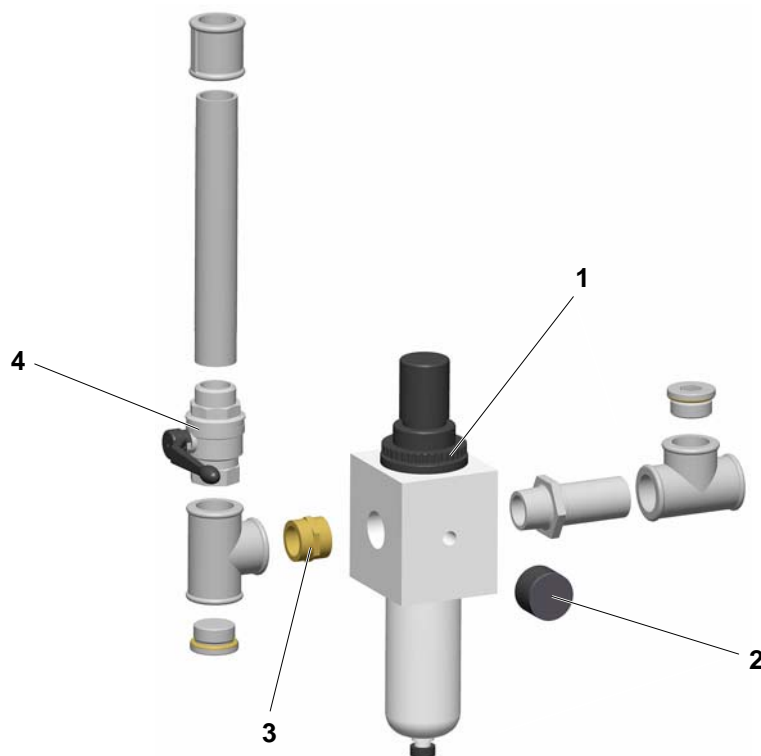
7 Main air supply - see corresponding spare parts list

8 OptiCenter roof - see corresponding spare parts list

Wearing part

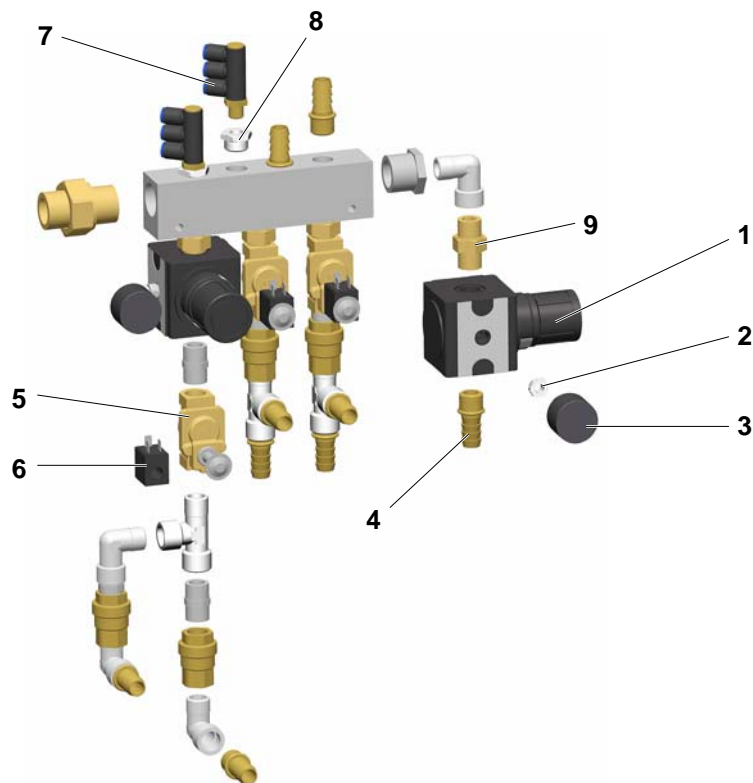
* Please indicate length

Main air supply



1	Pressure regulator/Filter unit - 1"i, 0,5-8 bar	1006 547
2	Pressure gauge - 1/8", 0-10 bar	259 179
3	Double nipple - 1"a-1"a	1003 544
4	Ball valve - 1"a-1"i	1006 065

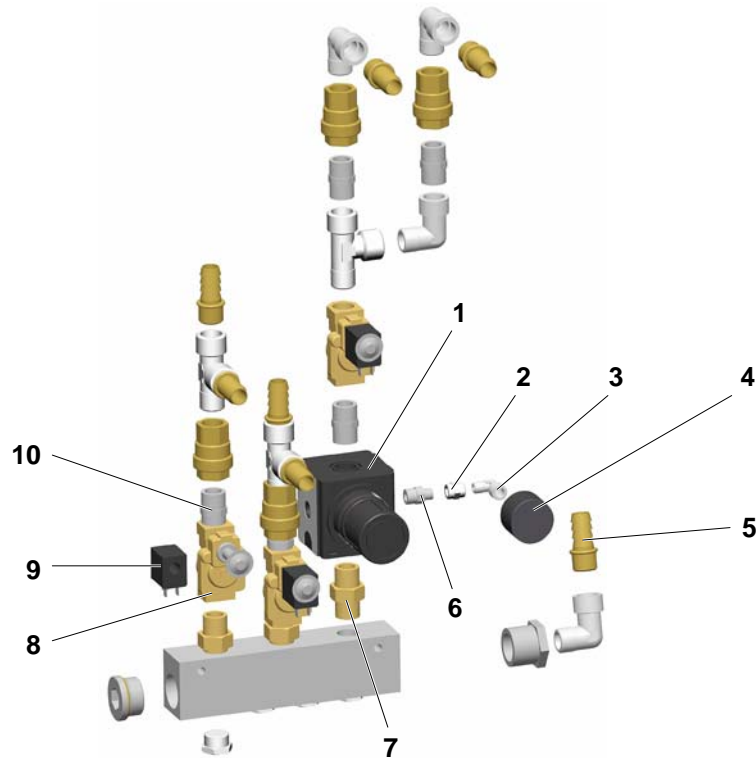
OptiSpeeder - Pneumatic manifold



1	Pressure regulator - 1/2"i, 0.5-10 bar	259 187
2	Adapter nipple - 1/8i-1/4a	265 454
3	Pressure gauge - 1/8", 0-10 bar	259 179
4	Hose connector - Ø 16-1/2"a	259 268
5	Solenoid valve - 1/2", NW13.5 mm, without coil	1005 120
6	Valve coil - 24 VDC	1005 119#
7	Elbow joint - 1/4a-Ø 8/3 x 1 mm	1002 614
8	Adapter nipple - 1/4"i-1/2"a	253 995
9	Double nipple - 1/2"a-1/2"a, divisible	243 582

Wearing part

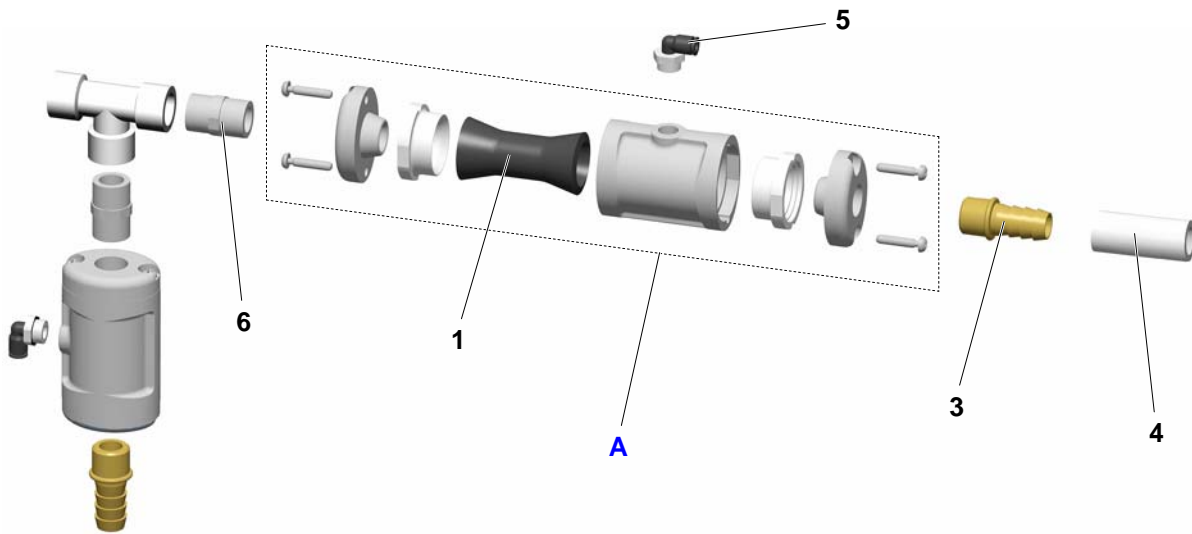
Pneumatic manifold Cleaning



1	Pressure regulator - 1/2"i, 0.5-10 bar	259 187
2	Adapter - 1/8"i-1/8"i	259 551
3	Elbow joint - 1/8"a-1/8"i	237 604
4	Pressure gauge - 1/8", 0-10 bar	259 179
5	Hose connector - Ø 16 mm-1/2"a	259 268
6	Double nipple - 1/4"a-1/8"a	242 209
7	Double nipple - 1/2"a-1/2"a, divisible	243 582
8	Solenoid valve - 1/2", NW13.5 mm, without coil	1005 120
9	Valve coil - 24 VDC	1005 119#
10	Double nipple - 1/2"a-1/2"a	243 540

Wearing part

Pinch valve NW15

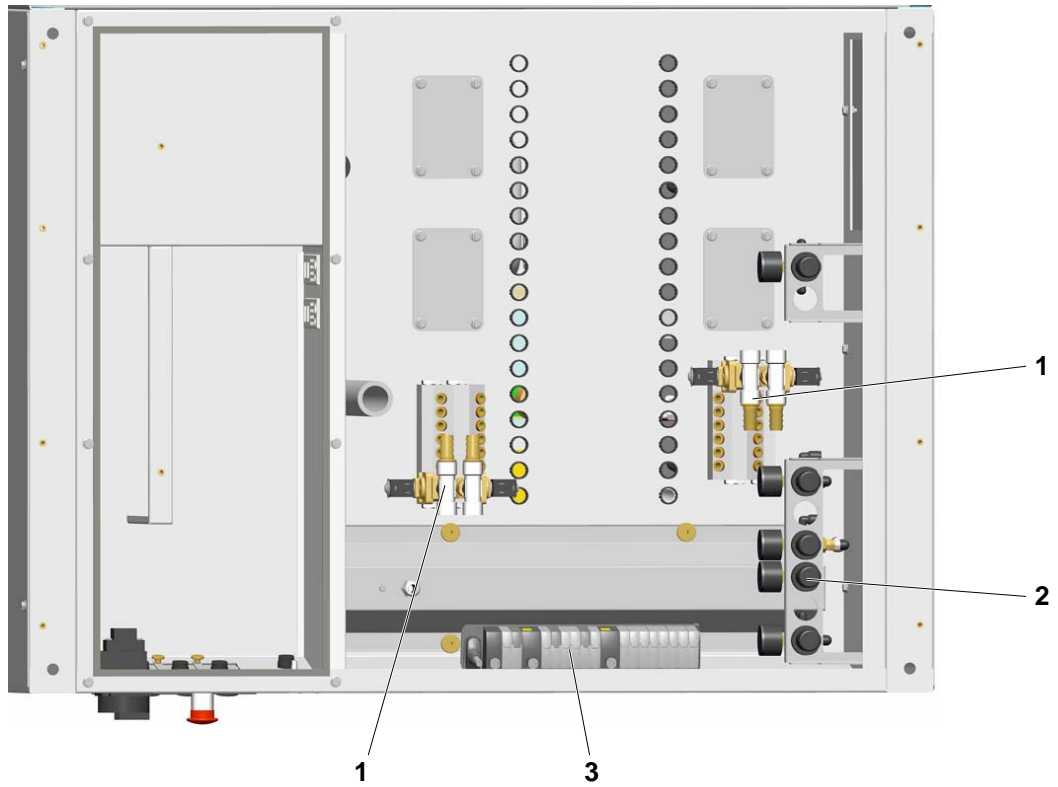


A	Pinch valve NW15 - complete	1006 255
1	Pinch valve sleeve NW15	1006 256#
3	Hose connector - Ø 16 mm-1/2"a	259 268
4	Powder hose - Ø 16/23 mm	1003 307#*
5	Elbow joint - 1/4"a-Ø 6 mm	265 691
6	Double nipple - 1/2"a-1/2"a	243 540

Wearing part

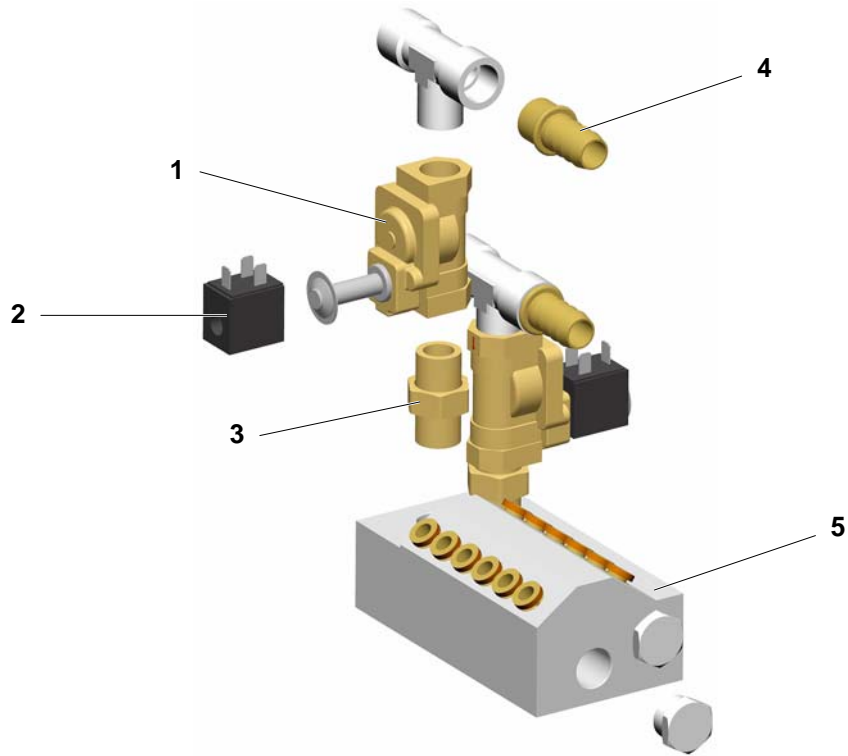
* Please indicate length

OptiCenter - Roof



-
- | | |
|---|---|
| 1 | Shuttle valves pool - see corresponding spare parts list |
| 2 | Pressure regulators pool - see corresponding spare parts list |
| 3 | Valves pool - see corresponding spare parts list |
-

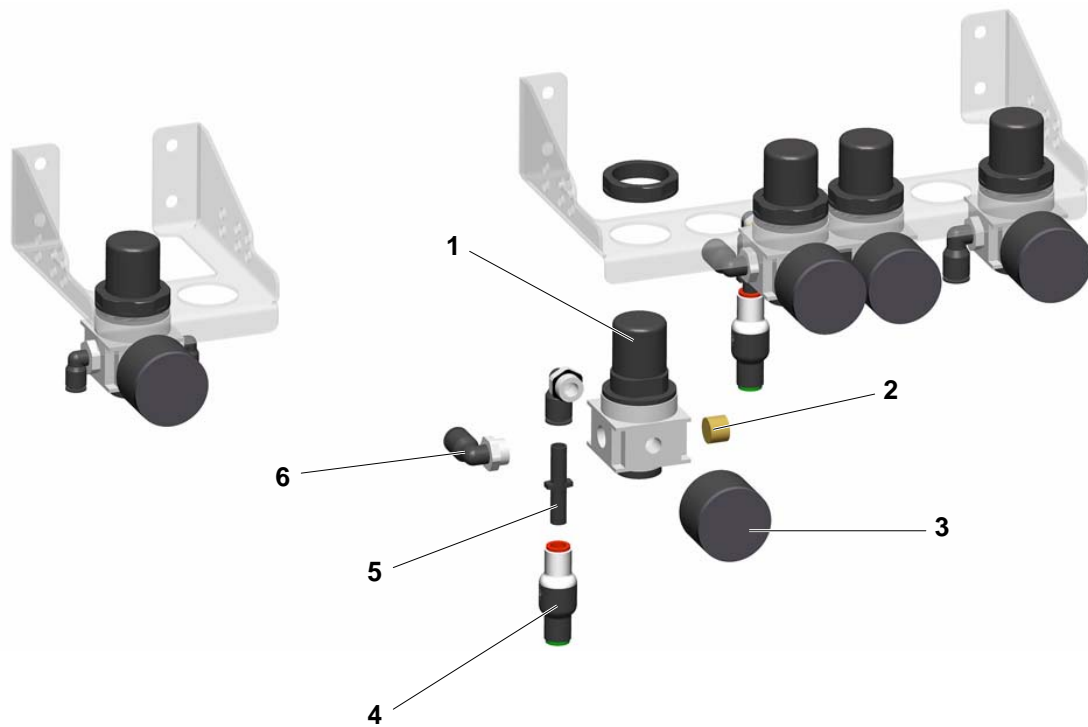
Shuttle valves pool



1	Solenoid valve - 1/2", NW13.5 mm, without coil	1005 120
2	Valve coil - 24 VDC	1005 119#
3	Double nipple - 1/2"a-1/2"a, divisible	243 582
4	Hose connector - Ø 16-1/2"a	259 268
5	Block	1007 388

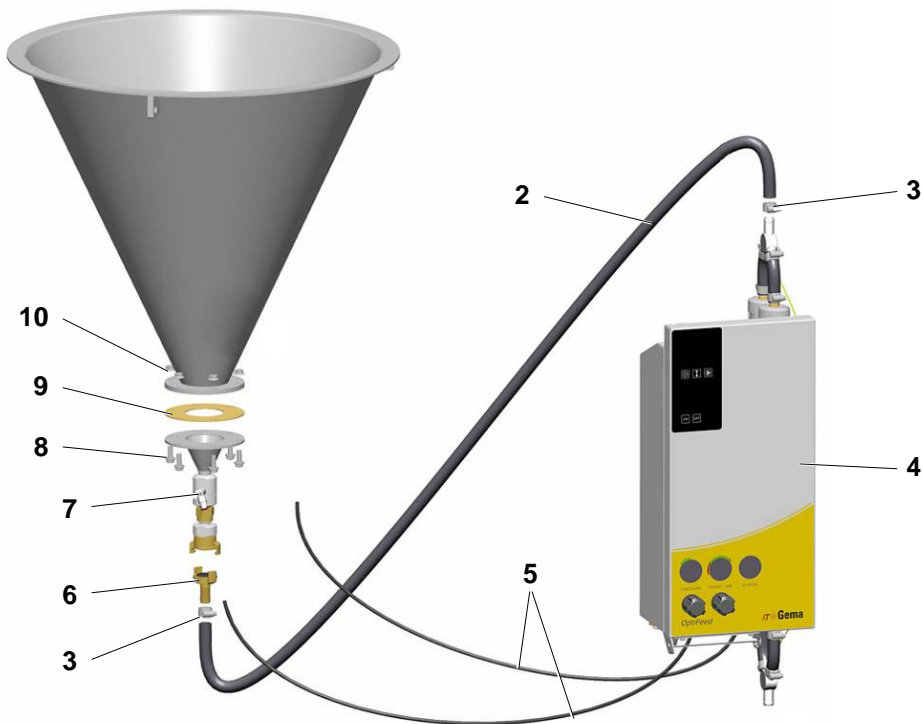
Wearing part

Pressure regulators pool



1	Pressure regulator - 1/4"i, 0.5-6 bar	264 342
2	Plug cap - 1/4"a	258 695
3	Pressure gauge - 1/8", 0-10 bar	259 179
4	Check valve - Ø 8-Ø 8 mm	1005 575
5	Double connecting nipple - Ø 8 mm	229 326
6	Elbow joint - 1/4"a-Ø 8 mm	254 029

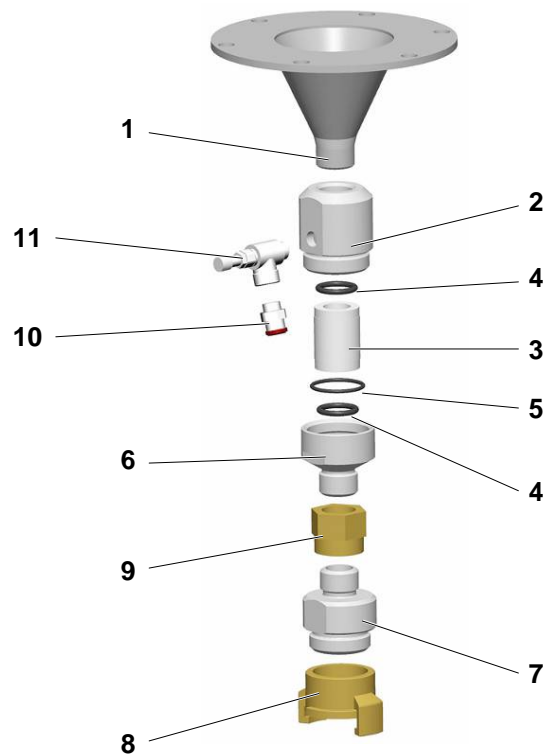
Monocyclone - Powder transport



2	Powder hose - Ø 16/23 mm	1003 307#*
3	Hose clamp - 17-25 mm	223 085
4	OptiFeed PP06 Powder pump - see corresponding operating manual	
5	Plastic tube - Ø 6/4 mm	103 144*
6	GEKA coupling with grommet - Ø 16 mm	1003 872
7	Fluidizing unit - complete, see corresponding spare parts list	1005 507#
8	Allen cylinder screw - M8x20 mm	265 241
9	Gasket	395 439
10	Hexagon shakeproof nut - M8	244 449

Wearing part

Monocyclone - Powder transport connection



	Powder transport connection - complete (pos. 1-11)	1005 652
1	Funnel piece	1005 502
1.1	Gasket - for pos. 1 (not shown)	395 439#
	Fluidizing unit - complete (pos. 2-6)	1005 507
2	Connector	1005 504
	Fluidizing tube set (incl. pos. 3, 4, 5)	720 006
3	Fluidizing tube	#
4	O-ring - Ø 17x3 mm	#
5	O-ring - Ø 26x2 mm	#
6	Locking piece	1005 506
7	Connecting piece	1005 503
8	GEKA coupling - 1"-IG	1000 854
9	Adapter - 1/2"-1/2"i	202 622
10	Screw-in nipple - 1/8"a-Ø 6 mm	240 095
11	Throttle valve - 1/8"-1/8"a	1002 127

Wearing part