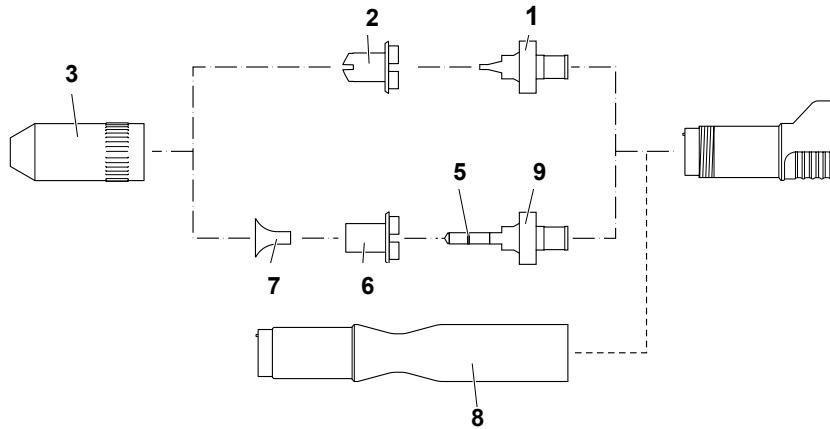
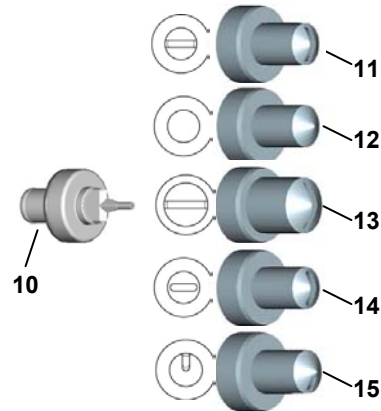


Nozzle Combinations for OptiGun and EasySelect Gun



New Style Nozzles



Item	Description	Part No.
1	Electrode holder (Flat jet nozzle)	379140#
2	Flat jet nozzle (Teflon)	377856#
3	Threaded sleeve (standard)	379166
3.1	Threaded sleeve (for 24mm and larger nozzles)	383074
5	O-ring - 5 x 1 mm	110354#
6	Round jet nozzle	378518#
7	Deflectors (require threaded sleeve 379166):	
	16 mm	107210#
	24 mm	107209#
	32 mm	107208#
	50 mm	117183#
	70 mm	117184#
8	Extensions:	
	150 mm	378852#
	300 mm	378860#
9	Electrode holder (round jet nozzle, single electrode, including Item 5)	382914#
Kits:	-	
a.	Nozzle set - flat jet (includes Items 1 and 2)	379620
b.	Nozzle set - flat jet , 24mm (includes Items 379140 and 383058, requires threaded sleeve 383074)	382809
c.	Nozzle set - round jet (includes Items 9, 5, and 6)	382922
New Style Nozzles:		
10	Electrode holder for new style nozzles	1000055#
11	Nozzle, flat jet, 15mm (standard on all Easy/Opti units)	1000049#
12	Nozzle, flat jet, blank	1000118#
13	Nozzle, flat jet, 24mm (requires threaded sleeve 383074)	1000120#
14	Nozzle, flat jet, oval slot	1000122#
15	Nozzle, flat jet, sloping oval slot (special , for Boron Nitride units)	1000124#
Kits:		
a.	Nozzle set - flat jet, 15mm (includes Items 10 and 11)	1000047
b.	Nozzle set - blank (includes Items 10 and 12)	1000119
c.	Nozzle set - flat jet, 24mm (includes Items 10 and 13, requires threaded sleeve 383074)	1000121
d.	Nozzle set - oval slot (includes Items 10 and 14)	1000123
e.	Nozzle set - oval slot (special , for Boron Nitride units, includes Items 10 and 15)	1000125
Not shown:		
a.	Nozzle, flat jet, 24mm (requires threaded sleeve 383074)	383058#
b.	Nozzle, blank (requires threaded sleeve 379166)	384887#
c.	Nozzle, flat jet, 15mm, oval slot (requires threaded sleeve 379166)	383082#

Wear part