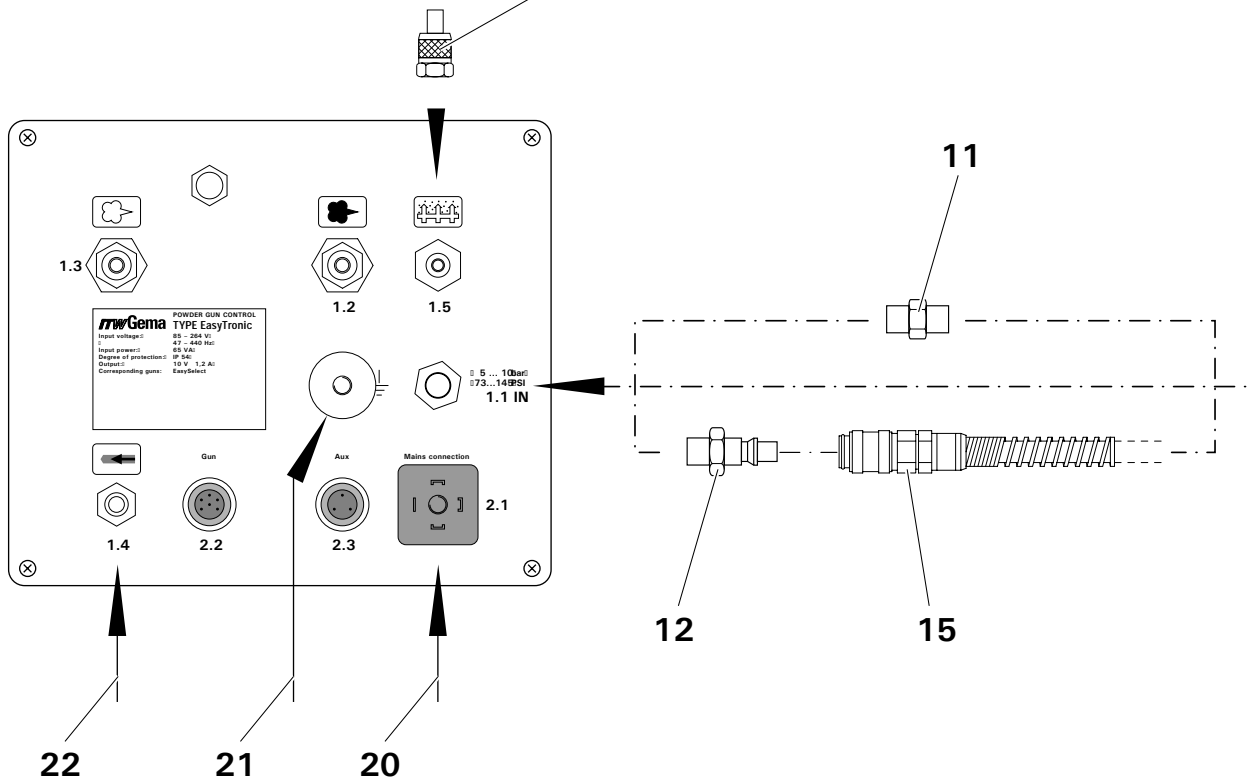
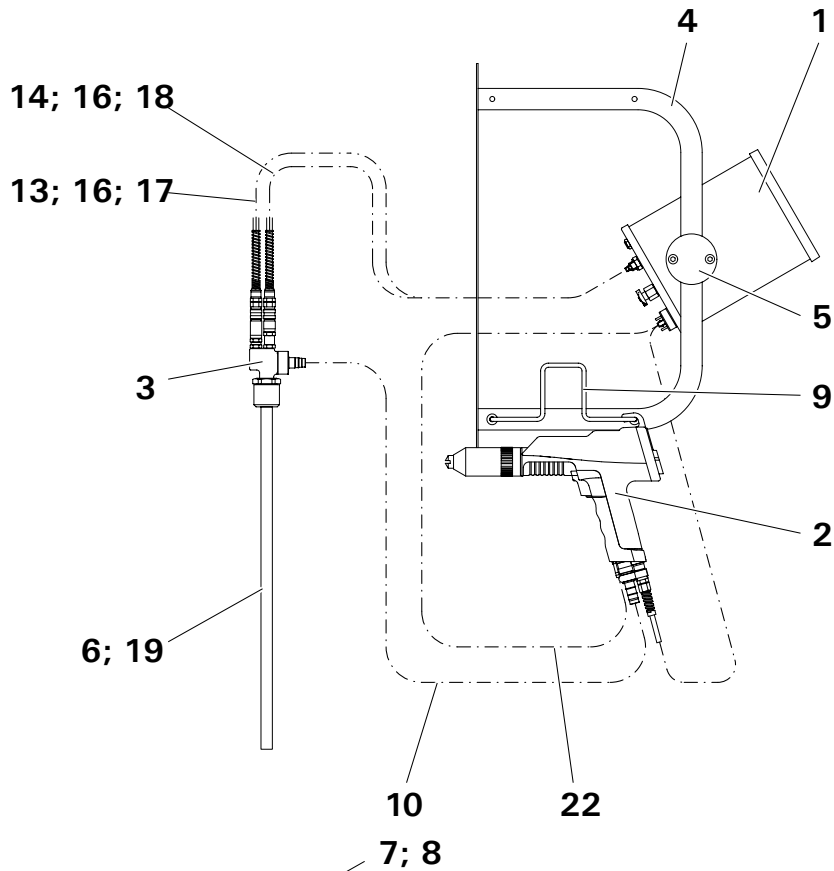


EasySystem Touch-Up Unit





| Item | Description | Part No. | Order No.** |
|------|---|----------|-------------|
| | EASY 1T Powder Coating Equipment - complete | 002442 | 002442 |
| | Quick Reference Guide | 262714 | 262714 |
| 1 | EasyTronic Control Unit - complete | 375900 | 375900 |
| 2 | EasySelect Manual Powder Gun - standard version | 380300 | 380300 |
| 3 | EasyFlow Injector - complete | 377740 | 377740 |
| 4 | Wall fixing bracket | 379360 | 379360 |
| 5 | Clamping element - ø 30 mm - complete | 376183 | 376183 |
| 6 | Suction tube - complete - L=504 mm | 339130# | 339130# |
| 7 | Connection piece - ø 6 mm | 263044 | 263044 |
| 8 | Nut - M10 x 1 mm - ø 6 mm | 263052 | 263052 |
| 9 | Gun / hose holder | 382060 | 375705 |
| 10 | Powder hose, 11 mm ID, 16 mm OD | 103128*# | 111257*# |
| 11 | Double adapter - 1/4"-1/4" | 262510 | 262510 |
| 12 | Stecker - NW5.2-1/4" | 261734 | 129345 |
| 13 | Quick-release attachment - red - NW5.0-d08 mm | 261645 | 261645 |
| 14 | Quick-release attachment - black - NW5.0-d08 mm | 261637 | 261637 |
| 15 | Quick-release coupling for 8 mm hose | 203181 | 106541 |
| 16 | Nut with kink protection - M12 x 1 mm - ø 8 mm | 201316 | 110178 |
| 17 | Tubing, red, 8mm OD, 6mm ID (conveying air) | 103500* | 129089* |
| 18 | Tubing, black, antistatic, 8mm OD, 6mm ID (supplementary air) | 103756* | 118057* |
| 19 | Lock nut (for Item 6) | 234869 | 110313 |
| 20 | EasyTronic mains cable | 378771 | 382507 |
| 21 | Grounding cable - complete | 301140 | 301140 |
| 22 | Rinsing air hose 12 m - complete | 380261 | 110812 |

Wear Part

* Indicate length required

** Please use the "Order No." column when placing orders