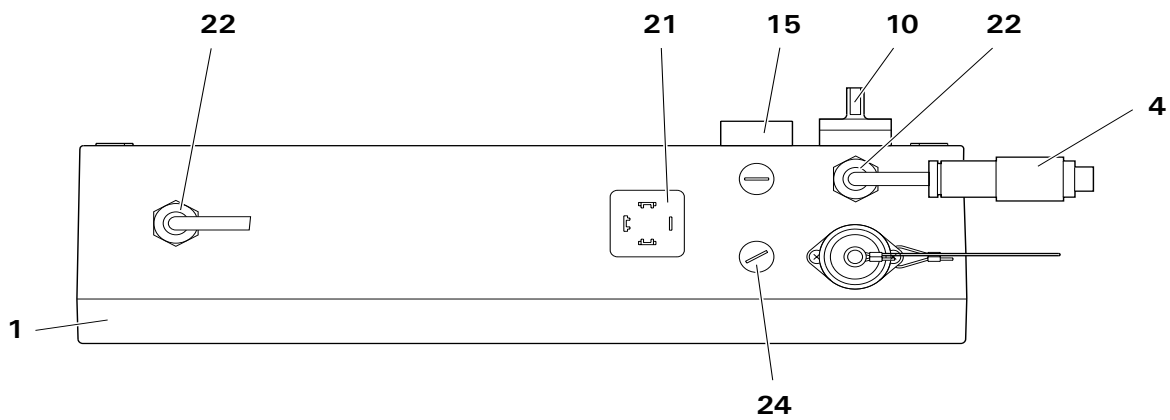
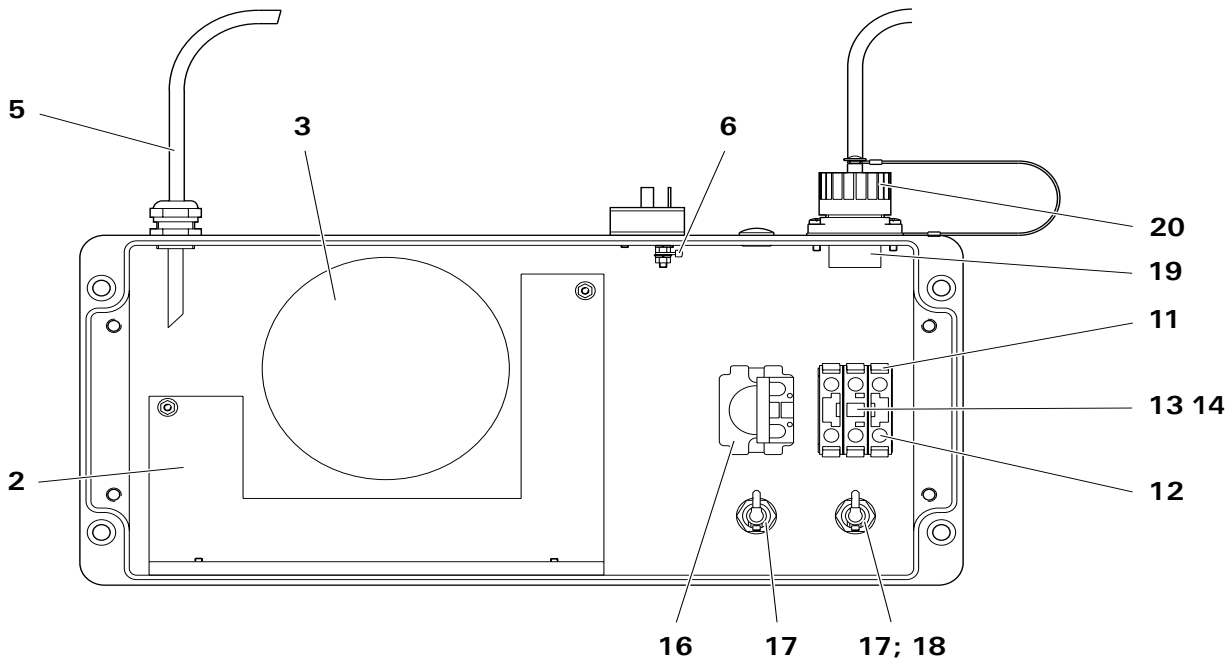
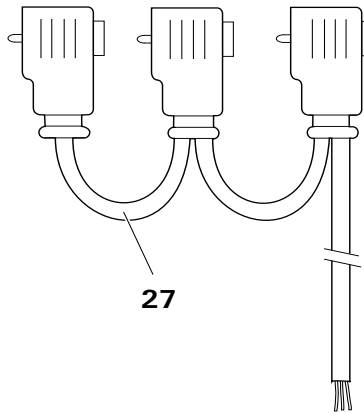
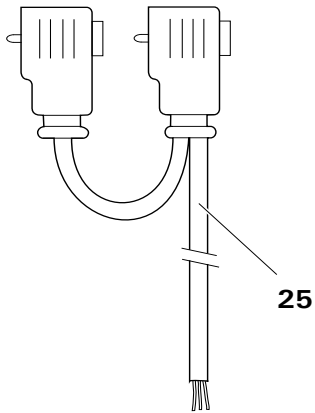


EasySystem Stirrer Unit Motor Control



EasySystem Stirrer Unit Motor Control

Item	Description	Part No.	Order No.**
	Stirrer Control Unit - CS 01 (complete)	379000	379000
1	Housing	380253	380253
2	Printed circuit board - CBS - V2.0	365335	125297
3	Transformer - 105 VA-P100-240 V	366579	125298
4	Plug with cable - EasyTronic / CS 01	378984	378984
5	Connecting cable - Motor / CS 01	367249	125300
6	Flexible wiring	366617	125301
10	Rotating switch	245402	123850
11	Fixing adapter	235920	111061
12	Contact element	235938	111062
13	Lamp element	235946	111063
14	Bulb - 12 V / 2 W	237531#	112113#
15	Drive button - green	203483	125302
16	Switch - lower part	203599	125303
17	Fuse holder - long	200131	125304
18	Fuse - F1 (1.0 AT for 200-240 V)	210242#	115243#
18.1	Fuse - F2 (2.0 AT for 100-120 V)	221872#	113085#
18.2	Fuse - F3 (8.0 AT for Motor)	255459#	125305#
18.3	Fuse - F4 (0.25 AT for printed circuit board)	227161#	111078#
19	Socket - 4 pin	206490	112114
20	Dust cap	206458	112115
21	Plug socket - 3 pin	200409	106416
22	Lead-through - PG9	222330	125307
24	Plug screw with O-ring - PG7	263656	263656
25	Mains cable - Easy 1S (2 plugs)	378992	378992
27	Mains cable - Easy 2S (3 plugs)	379018	379018

Wear Part

* **Indicate length required**

** **Please use the "Order No." column when placing orders**