

---

## SERVICE INSTRUCTION

---

### Evolver Regulator Replacement Kit A11903-00

This Service Instruction should be used when replacing the old Evolver regulator with the new version included in Kit A11903-00.

Remove the old regulator as follows (Figure 1a):

1. Remove old regulator by removing the coiled tube [29], by loosening the tubing nut and ferrules [25], [26], and [27].
2. Remove the two (2) screws [6] and the two (2) screws [11] from the bottom of the valve body [3].
3. Carefully pull upward on the head manifold block [9] which will disengage from the bottom valve assembly block [3].
4. Remove the two (2) connecting air rods [18] and the two (2) trigger tie rods [19].
5. Remove the two (2) screws [40] from the regulator body and discard. Remove the pilot tube from the regulator, this tube will be reused. Pull regulator assembly up and out of the fluid hole and discard.

Install the new regulator as follows (Figure 1b):

1. Install the grounded fluid fitting [2], included in the kit, into the fluid hole and tighten securely.
2. Assemble the new regulator [1] into the fluid fitting using the nut and ferrules [3], [4], and [5], included in the kit.
3. Reinstall the coiled tube [29] as shown in Figure 1b; one of the coils of the tube must be wrapped around the cascade [23] as shown. Reattach the pilot tube [39] to the regulator bonnet.

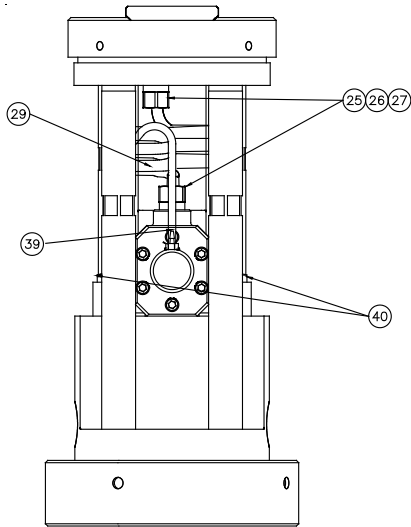


Figure 1a: Old Version Regulator

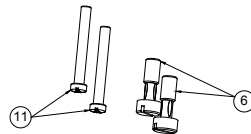
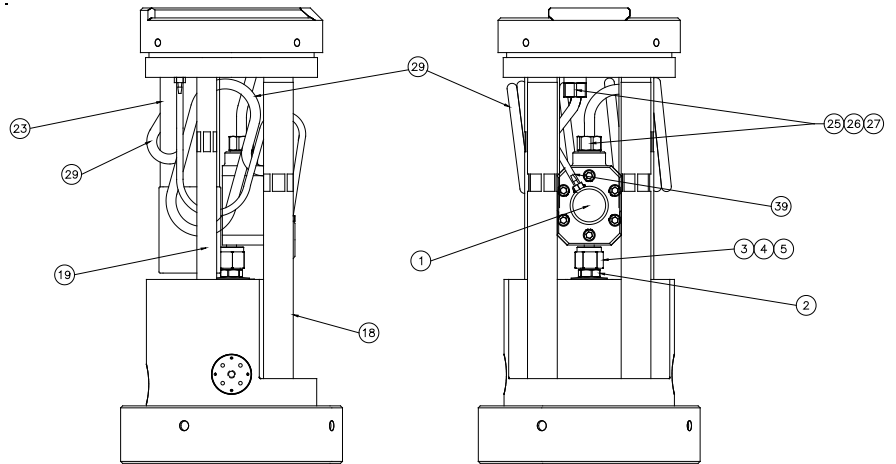


Figure 1b: New Version Regulator

EVOLVER REGULATOR REPLACEMENT KIT A11903-00			
Item #	Part #	Description	Qty
1	A11902-00	Regulator Assembly, Evolver	1
2	79177-00	Assembly, Fluid Fitting	1
3	70591-01	Nut, Fluid Fitting, 1/4"	1
4	70606-01	Ferrule, Front, 1/4" Tube	1
5	70607-01	Ferrule, Back, 1/4" Tube	1

Manufacturing  
 1910 North Wayne Street  
 Angola, Indiana 46703-9100  
 Telephone: 260/665-8800  
 Fax: 260/665-8516

Technical/Service Assistance  
 Telephone: 800/ 233-3366  
 Fax: 419/ 470-2071

Technical Support Representative will direct you to the appropriate telephone number for ordering Spare Parts.

© 2013 Ransburg. All rights reserved.  
 Models and specifications subject to change without notice.



Form No. SI-1220-06.2  
 Litho in U.S.A.