

## OPERATION MANUAL

### COMPACT-X — AUTOMATIC SPRAY GUN

#### CONVENTIONAL (SILVER), TRANS-TECH (GREEN) & HVLP (BLUE)

English: Pages 1-16

Español: Páginas 17-32



Replacement Parts Ordering Information	SEE PAGE 4
Explanation of Conventional, Trans-Tech and HVLP	SEE PAGE 9
Complete Spray Gun Assembly Ordering Information	SEE PAGE 10
Installation Details	SEE PAGES 11, 13, 14, 15



# Operation Manual

## Compact-X Automatic Spraygun

### Important

***Read and follow all instructions and Safety Precautions before using this equipment***

### CHARACTERISTICS

This automatic spray gun complies to ATEX regulations 94/9/EC, protection level II 2 G X, suitable to use in Zones 1 & 2.

This Compact-X spray gun is a production spray gun suitable for use with automatic and semi-automatic machines in conventional, HVLP or Trans-Tech applications. (See page 9 for application details.)

Compact-X has a ¼ turn Quick detachable manifold, so to reduce maintenance & set up time. To handle a wide range of coating materials the fluid passages are

manufactured from high grade stainless steel. Several needles are available with plastic tips.

This spray gun can be provided with an indexed air cap (order separately.) You can leave your air cap capable of free rotation by removing the indexed plastic ring which is located by 2 pins on the air cap. Pressure feed material supply can be re-circulating or direct.

The needle adjustment knob has 18 ratchet positions (per one revolution of the knob) which allows fine and accurate fluid flow control.

### SPECIFICATIONS & MATERIALS OF CONSTRUCTION

	Thread	Pressure
Fluid inlet & recirculation "P" & "R"	1/8" BSPP(F)	Max 7 Bars (100 psi)
Air inlet (Atom+Fan) "A" & "F"	1/8" BSPP(F)	Max 7 Bars (100 psi)
Cylinder/trigger "Cyl"	1/8" BSPP(F)	4 to 7 Bars (60-100 psi)
Maximum temperature in use	40° C (104° F)	
Spray gun weight	950 gms (2 lbs)	
Gun body	Aluminium hard anodized	
Tip / Needle / Spray head/ Base plate	Stainless steel 303	











#### EC Declaration of Conformity

We, **Finishing Brands UK, Ringwood Rd, Bournemouth, Dorset, BH11 9LH, UK**, as the manufacturer of the **Spray gun model COMPACT-X**, declare, under our sole responsibility that the equipment to which this document relates is in conformity with the following standards or other normative documents:

**BS EN 292-1 PARTS 1 & 2: 1991, BS EN 1953: 1999**; and thereby conform to the protection requirements of Council Directive **98/37/EEC** relating to **Machinery Safety Directive**, and; **EN 13463-1:2001**, council Directive **94/9/EC** relating to **Equipment and Protective Systems** intended for use in **Potentially Explosive Atmospheres** protection level **II 2 G X**.

**D. Smith**, General Manager  
12th February 2014

## SAFETY WARNINGS

   	<p><b>FIRE AND EXPLOSION</b></p> <p>Solvents and coating materials can be highly flammable or combustible when sprayed. <b>ALWAYS refer to the coating material supplier's instructions and MSDS sheets before using this equipment.</b></p> <p>Users must comply with all local and national codes of practice and insurance company requirements governing ventilation, fire precautions, operation and house-keeping of working areas.</p> <p><b>This equipment, as supplied, is <u>NOT</u> suitable for use with <u>Halogenated Hydrocarbons</u>.</b></p> <p>Static Electricity can be generated by fluid and/or air passing through hoses, by the spraying process and by cleaning non- conductive parts with cloths. To prevent ignition sources from static discharges, earth continuity must be maintained to the spraygun and other metallic equipment used. It is essential to use conductive air and/or fluid hoses.</p>
    	<p><b>PERSONAL PROTECTIVE EQUIPMENT</b></p> <p><b>Toxic vapors</b> – <i>When sprayed, certain materials may be poisonous, create irritation or be otherwise harmful to health. Always read all labels, safety data sheets and follow any recommendations for the material before spraying. <b>If In doubt, contact your material supplier.</b></i></p> <p>The use of respiratory protective equipment is recommended at all times. The type of equipment must be compatible with the material being sprayed.</p> <p>Always wear eye protection when spraying or cleaning the spray gun</p> <p>Gloves must be worn when spraying or cleaning the equipment.</p>
	<p><b>TRAINING</b></p> <p>Personnel should be given adequate training in the safe use of spraying equipment.</p>
	<p><b>MISUSE</b></p> <p>Never aim a spray gun at any part of the body.</p> <p>Never exceed the max. recommended safe working pressure for the equipment.</p> <p>The fitting of non-recommended or non-original spares may create hazards.</p> <p>Before cleaning or maintenance, all pressure must be isolated and relieved from the equipment.</p> <p>The product's metal parts can be cleaned using a gun-washing machine. However, this equipment should not be left inside gun-washing machines for prolonged periods of time. Certain seals and o-rings may not be solvent compatible.</p>
	<p><b>NOISE LEVELS</b></p> <p>The A-weighted sound level of spray guns may exceed 85 dB (A) depending on the set-up being used. Details of actual noise levels are available on request. It is recommended that ear protection is worn at all times when spraying.</p>
	<p><b>OPERATING</b></p> <p>Spray Equipment using high pressures may be subject to recoil forces. Under certain circumstances, such forces could result in repetitive strain injury to the operator.</p>

**PARTS LIST**

For the arrangement of the parts, refer to the exploded view on page 5.

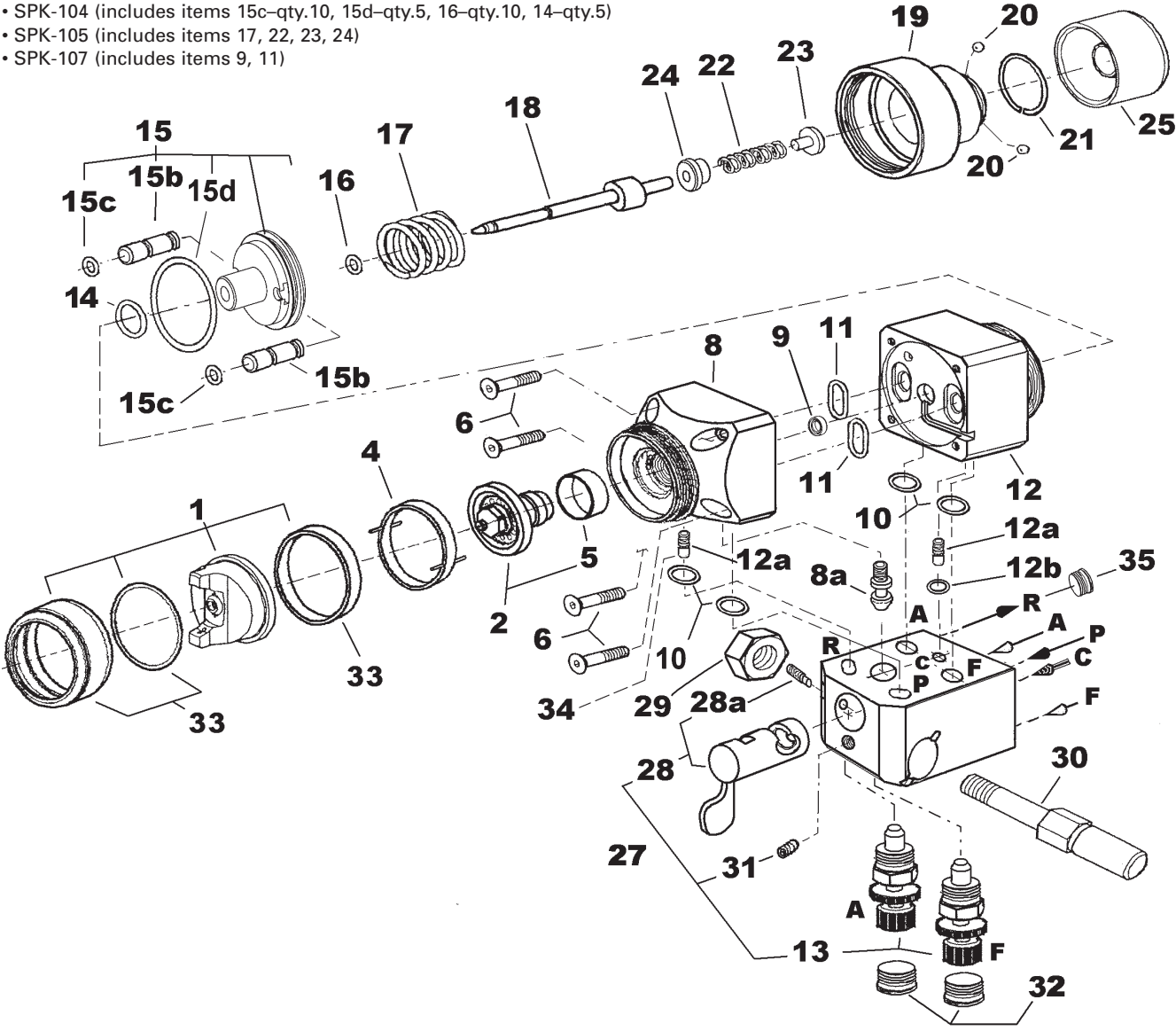
Item	Description	Order Part Number	Qty
1	See chart and reference on page 6. Air cap with retaining ring, seals and no indexing ring.	SP-100-xxx-K	1
2	Fluid tip with air separator seal SPA-27-K5 Ø 0.85 / 1.0 / 1.4 / 1.8 / 2.2 mm Ø 0.5 for Air cap 590                      Ø 0.7 mm for Air cap 591	SP-200S-xx-K SP-259S-xx-K	1
4	Locator ring for indexed air cap (optional item)	SPA-112	1
5	Air separator seal (kit of 5 rings)	SPA-27-K5*	1
6	Screw M4 x 25 kit of 4 (Torx 20) — (kit includes items 6, 8a, 12a)	SPK-108*	4
8	Spray head – Compact-X	SPA-50P	1
8a	Fixing rod on base plate (kit includes items 6, 8a, 12a)	SPK-108*	1
9	Packing seal for needle (kit includes items 9▲, 11)	SPK-107*	1
10	O-ring (kit includes items 10, 12b)	SPK-109*	4
11	O-ring gasket (kit includes items 9, 11■)	SPK-107*	2
12	Gun body for Compact-X ( -S = Silver / -G = Green / -B = Blue )	SPA-1-CMAX-S SPA-1-CMAX-G SPA-1-CMAX-B	1
12a	Locating air tube (kit includes items 6, 8a, 12a)	SPK-108*	1
12b	O-ring (kit includes items 10, 12b)	SPK-109*	1
13	Air valve (Fan & Atomising air)	AGG-403	2
14	O-ring (kit includes items 14, 15c, 15d, 16)	SPK-104*	1
15	Piston assembly (includes items 14, 15b, 15c, 15d, 16)	SPA-60X-K	1
15b	Piston for air valve (kit includes qty. 2)	SPA-60X-K	1
15c	O-ring for small piston (kit includes items 14, 15c, 15d, 16)	SPK-104*	2
15d	O-ring for large piston (kit includes items 14, 15c, 15d, 16)	SPK-104*	1
16	O-ring piston to needle (kit includes items 14, 15c, 15d, 16)	SPK-104*	1
17	Piston Spring (kit includes items 17, 22, 23, 24)	SPK-105*	1
18	Stainless steel needle 0.5 / 0.7 / 0.85 / 1.0 / 1.4 / 1.8 / 2.2 Plastic tip 1.0 / 1.4	SPA-320-xx SPA-320P-xx	1
19	Housing	SPA-3	1
20	Ring and ball (2) — (kit includes items 20, 21, 25)	SPK-106*	1
21	Ring (kit includes items 20, 21, 25)	SPK-106*	1
22	Needle Spring (kit includes items 22, 23, 24)	SPK-105*	1
23	Spring cap (kit includes items 22, 23, 24)	SPK-105*	1
24	Spring washer (kit includes items 22, 23, 24)	SPK-105*	1
25	Adjusting knob (kit includes items 20, 21, 25)	SPK-106*	1
27	Manifold assembly – complete with lever and air valves	SPA-55-K	1
28	Locking lever (kit includes items 28, 28a & 8a)	SPA-56-K*	1
28a	Retaining screw of locking device (kit includes items 28, 28a & 8a)	SPA-56-K*	1
29	Gun mounting bar nut (kit includes items 29, 30 & 31)	SPK-110*	1
30	Gun mounting bar (kit includes items 29, 30 & 31)	SPK-110*	1
31	M6 hexagon socket head cap screw, length 5.5 (kit includes items 29, 30 & 31)	SPK-110*	2
32	Kit of 2 plugs which replace manual air valve (13) — for remote fan/atom	SPA-111-K2*	1
33	Kit of retaining ring with gasket (kit includes air cap ring and gaskets)	SPK-102-K*	1
34	Recirculation Port Plug (kit includes hex wrench SPA-30)	SPK-116*	1
35	Manifold Plug, 1/8" BSPP (not sold as a spare part)	REF.	1

\*Spare parts must be ordered as part of replacement kits listed above. ▲ Item 9: Fluid packings only (10 pack) SPA-86-K10. ■ Item 11: Air gaskets only (10 pack) SPA-53-K10. See page 10 for additional adapter and fitting kits. Optional: Fluid packings (2 pack) SPA-20-K2

**COMPACT-X AUTOMATIC SPRAY GUN**

REF. ONLY:

- SPA-60X-K (includes items 14, 15b, 15c, 15d, 16)
- SPK-104 (includes items 15c-qty.10, 15d-qty.5, 16-qty.10, 14-qty.5)
- SPK-105 (includes items 17, 22, 23, 24)
- SPK-107 (includes items 9, 11)



NOTE: SPN-8 Torx Wrench for item 6 shipped with gun.  
 SPA-30 Hex Wrench for item 34 shipped with gun.  
 SPN-8 and SPN-30 not shown on exploded view above.

See page 10 for standard set-ups.  
 See page 11 for hook-up schematic.

**COMPACT-X AUTOMATIC GUN  
 EXAMPLE OF PART NUMBERING SYSTEM**

**CMAx-B85PM-507**

CMAx-	B	85	P	M	507
Compact-X Automatic Manifold Type Spray Gun	<b>B</b> = Blue (HVLP) <b>G</b> = Green (Trans-Tech) <b>No Letter</b> = Conventional	<b>85</b> = .85 mm Fluid Nozzle and Needle <b>00</b> = No Fluid Nozzle, No Needle	<b>P</b> = Plastic Needle - or <b>no letter</b> = Stainless Steel Needle	<b>M</b> = With Manifold <b>O</b> = No Manifold	<b>507</b> = Air Cap

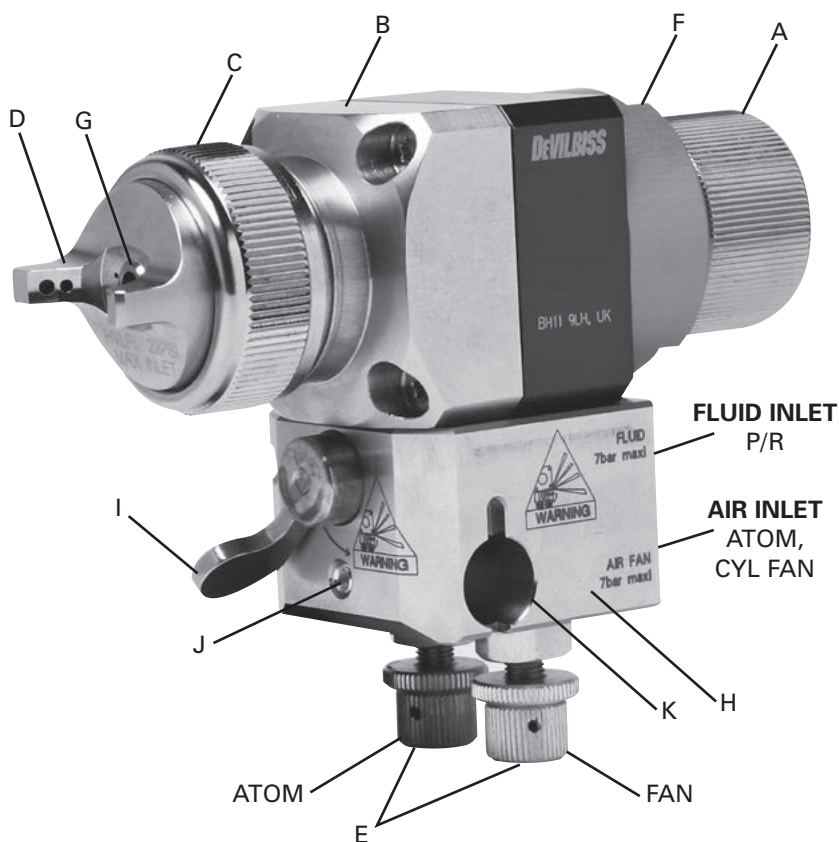
**COMPACT-X AUTOMATIC GUN — AVAILABLE AIR CAPS**

Air cap	Type	Air Flow		Pressure at Inlet		Fluid Flow		Pattern size @ 8" distance	
		SCFM	l/min	psi	bar	oz/min	ml/min	in	mm
SP-100-430-K	Conventional	12	340	50.7	3.5	6.7 - 9.5	200 - 280	7.9	200
SP-100-443-K	Conventional	12.2	345	43.5	3.0	6.7 - 10.1	200 - 300	11.8	300
SP-100-497-K	Conventional	18	510	50.7	3.5	6.7 - 20.2	200 - 600	15.0	380
SP-100-500R-K	HVLP Round Spray	6.8	200	16.0	1.1	.6 - 5.0	20-150	1.6	40
SP-100-507-K	H V L P	19	385	40	1.4	4.4 - 6.5	130 - 190	10.6	270
SP-100-510-K	Trans-Tech	10	283	29	2.0	5.4 - 7.5	160 - 220	10.6	270
SP-100-513-K	Trans-Tech	18.8	531	43.5	3.0	6.7 - 20.2	200 - 600	13.8	350
SP-100-522-K	Trans-Tech	14.5	410	29	2.0	6.7 - 20.2	200 - 600	13.8	350
SP-100-590-K	Trans-Tech	7.7	218	29	2.0	1.6 - 5.0	50 -150	6.0	150
SP-100-591-K	Trans-Tech	12.3	350	29	2.0	1.7 - 5.1	50 -150	4.5	115
KK-5090-507	HVLP Test Kit – includes cap, gauge & tube								

Other test kits available: KK-5090-430, KK-5090-443, KK-5090-497, KK-5090-506, KK-5090-510, KK-5090-513, KK-5090-522, KK-5090-590

**COMPACT-X AUTOMATIC GUN — AIR CAP / FLUID TIP COMBINATIONS**

		TYPE	CONVENTIONAL			HVLP		TRANS-TECH				
AIR CAP MODEL NO.			430	443	497	500R	507	510	513	522	590	591
FLUID TIP SIZES	.020" (0.5 mm)										X	X
	.028" (0.7 mm)											X
	.033" (0.85 mm)					X	X	X	X	X		X
	.039" (1.0 mm)	X	X	X	X	X	X	X	X	X		
	.055" (1.4 mm)	X	X	X	X	X	X	X	X	X		
	.070" (1.8 mm)	X	X	X	X	X	X	X	X	X		
	.086" (2.2 mm)	X	X	X	X	X	X					



A	Needle travel adjusting knob – 18 positions per 1 turn
B	Gun head – stainless steel
C	Air cap ring
D	Air cap
E	Air valve (fan / atom)
F	Spray gun body – anodized aluminum
G	Fluid tip – stainless steel
H	Manifold – stainless steel
I	Manifold locking lever
J	Support tightening screw
K	Spray gun mounting hole – 1/2" diameter
P/R	Fluid inlet, fluid return

## INSTALLATION

### AIR AND FLUID HOSES

See pages 11, 13, 14 and 15 for installation details.

Use separate filtered regulated air supplies for atomizing and cylinder air. Connect all the air and fluid hoses at the back of the manifold (1/8" BSP): (See figure)

- Cylinder air '**C = Cyl**' via a control valve. For fast cylinder operation the control valve should be fitted as close to the gun as possible or an additional quick exhaust valve installed in the line.
- Separated atomizing and fan "**F**" & "**A**" air supply.
- Material hose '**P**'. If material re-circulation is required, remove the plug from port '**R**' (35) and plug from spray head (34).

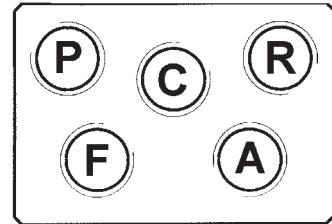
#### Recommended hose size up to 34 ft. (10 m) long:

Atomization Air = 0.315 in. (8 mm)

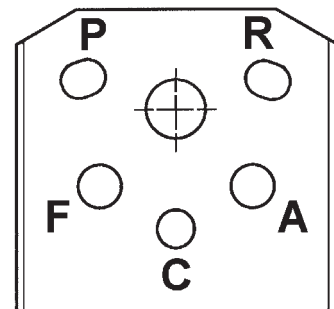
Cylinder Air = 0.236 in. (6 mm)

Material = 0.315 in. (8 mm)

BACK Face of Manifold



TOP Face of Manifold



**Important: The Spray gun must be grounded to dissipate any electrostatic charges which may be created by fluid or air flows. This can be achieved through the Spray gun mounting, or conductive air/fluid hoses. Electrical bond from the spray gun to earth should be checked with an ohmmeter. A resistance of less than  $10^6$  Ohms is recommended.**



**Important: To ensure that this equipment reaches you in first class condition, protective coatings have been used. Flush the equipment through with appropriate solvent before use. Fix the spray gun base plate using mounting stem ref.30 and secure it with nut ref.29.**

### SETTING

Check that the gun has all of the O-rings installed on the sealing surface and check that the locking device (28) is in the correct position to lock the spray gun on to the connecting plate.

1. The **ATOM 'A'** air valve controls the atomizing air pressure.
2. The **FAN 'F'** valve controls the spray pattern size.
3. Fluid flow is adjusted with the rear ratchet knob (25).

**For the arrangement of the parts, refer to the exploded view on page 5.**

### START UP

1. Turn the needle adjusting knob (25) clockwise until the needle is fully closed.
2. Turn the **FAN 'F'** and **ATOM 'A'** air valves (13) counter-clockwise to be full open.
3. Use the air cap chart to set the air pressure at the air regulator to achieve recommended pressures.
4. Turn the adjusting knob (25) counter clockwise to obtain the desired fluid flow.
5. Test spray. If the finish is too dry or fine, reduce the airflow by reducing the air inlet pressure or by screwing the valve **ATOM 'A'** (13) in clockwise, or increase the fluid flow using ratchet knob, rotating counter clockwise.

**INSTALLATION (CONTINUED)**

**START UP (continued)**

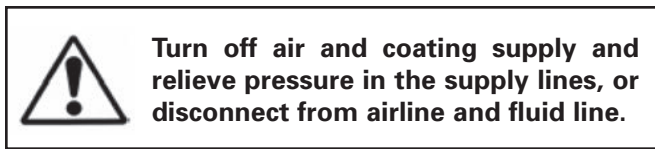
6. If the finish is too wet, turn the ratchet knob (25) in clockwise to reduce the fluid flow, or reduce the fluid pressure. If the atomization is too coarse, increase inlet air pressure, or reduce fluid flow.
7. The pattern size can be reduced by turning adjusting valve **FAN 'F'** (13) clockwise.
8. The spray pattern will give the best results when perpendicular to the target.

9. The recommended spray distance is 6" to 8" (150-220 mm).
10. Spray edges first. Overlap each stroke a minimum of 50%. Move gun at a constant speed.
11. Always turn off air and fluid supply and relieve pressure and clean down when gun is not in use.

---

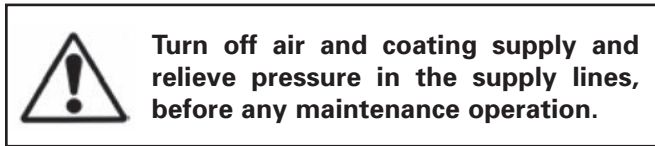
**MAINTENANCE**

**PREVENTIVE MAINTENANCE**



1. Unlock the spray gun from the base plate, remove it, and if available re-attach an alternative gun. Now the spray gun maintenance can be done outside the spray booth while production is still continuing.
2. Remove air cap (1) and clean. If any of the holes in the cap are blocked with coating material use a toothpick to clean. Never use metal wire which could damage the cap and produce distorted spray patterns
3. Ensure the nozzle of the fluid tip (2) is clean and free from damage. Any build up of dried paint can distort the spray pattern.

**REPLACEMENT OF PARTS**



**TIP (2) & NEEDLE (18)**

Remove the air cap (1) by unscrewing its retaining ring counter- clockwise, remove the index ring if it remains on the gun head (if fitted and used).

Remove the tip (2) and its air separator ring (3) by unscrewing counter- clockwise with 10mm hexagonal spanner.

Unscrew the adjusting needle knob (25) fully in counter-clockwise rotation, push the needle from the front of the spray gun, carefully so to avoid damage the needle end, then pull out the needle (18) from the back.

If necessary, replace the needle and the tip, first refitting the tip with its air separator ring (recommended torque between 9,5 to 12 Nm).

Lubricate all the surface of the needle which will be in contact with the packing and o ring. Slide the needle into the spray gun from the back. Fit the needle springs with its plastic pad (22,23,24) and replace the needle adjusting knob (25).

**PACKING SEAL (9)**

Unscrew the air cap (1), tip (2) and its air separator ring (3).

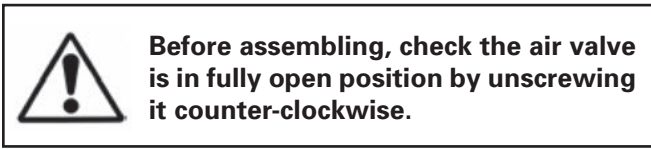
Unscrew the 4 screws (6) to disassemble the gun head (8). Push back the packing seal (9) using a 5,5mm diameter rod from the front of the gun head. Clean the packing location hole carefully with adequate solvent.

Fit a new packing seal (9) U face towards the fluid passage.



REPLACEMENT OF PARTS (CONTINUED)

FAN & ATOM AIR VALVE (13)



Before assembling, check the air valve is in fully open position by unscrewing it counter-clockwise.

It's recommended to replace all the O-rings (14, 16 & 15c) in the gun body as soon you disassemble the Piston from the gun.

Slightly lubricate the piston lip before fitting again into the gun body. Use petroleum jelly to lubricate the piston parts and o-rings.

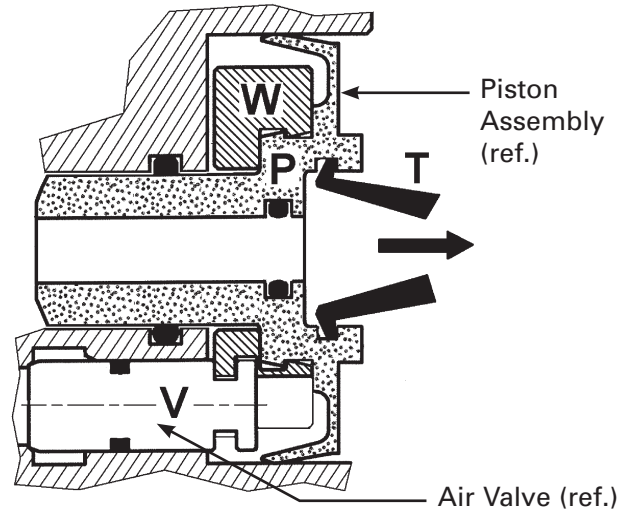
PISTON (15), O RING (16, 14 & 15C)

Unscrew the rear housing (19) at the back of the gun body counter clockwise, pull out the needle (18).

Use bent nose pliers "T" so to pull out the piston which has a 12mm internal groove for this purpose.

Piston "P+W" and two valve "V" will pull out at the same time. The ring "W" is located by pressing it onto the piston body and can not be removed from it.

The valve "V" can be removed easily from the piston ring. We recommend to replace the full piston at the same time (Item number SPA-60x-K).



DEVILBISS SPRAY GUN TECHNOLOGY—APPLICATION DETAILS

HVLP (BLUE)

Maintains Regulatory Compliance

The DeVilbiss "Blue" Compact gun allows you to maintain EPA compliance and produce a superb finish.

Built to provide outstanding coating atomization, the "Blue" Compact can handle all types of solvent and waterborne materials.

High performance is coupled with a gun body light in weight and designed for operator comfort to increase productivity.

TRANS-TECH (GREEN)

Maximum Efficiency with Environmental Responsibility

The DeVilbiss "Green" Compact gun utilizes the very latest advances in computational fluid dynamics. This results in superior atomization with the new DeVilbiss **TRANSFER-TECHNOLOGY**.

Exceptionally efficient material transfer for optimum coverage and paint usage is achieved with reduced air consumption, lowering your electrical needs and energy costs.

Exceed your production requirements with the highest atomization levels at an accelerated application rate of up to 600cc/min.

CONVENTIONAL (SILVER)

Outperforms the Competition

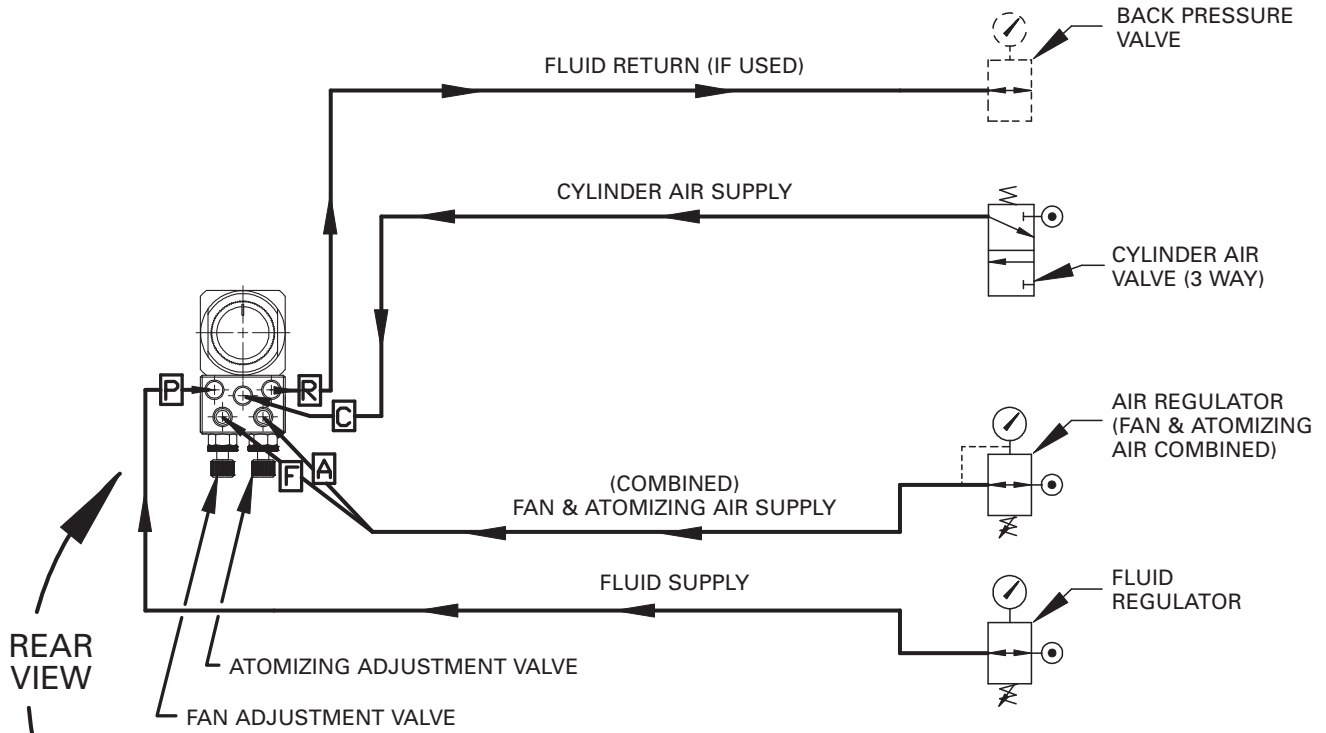
The DeVilbiss "Silver" Compact is our Advanced Conventional gun and has a unique high capacity airflow with outstanding atomization to produce a superior result.

Compact's Advanced Conventional Air Caps make this gun the ideal performer in both small operations or high volume facilities, with the added bonus of instantly improved finishing productivity.

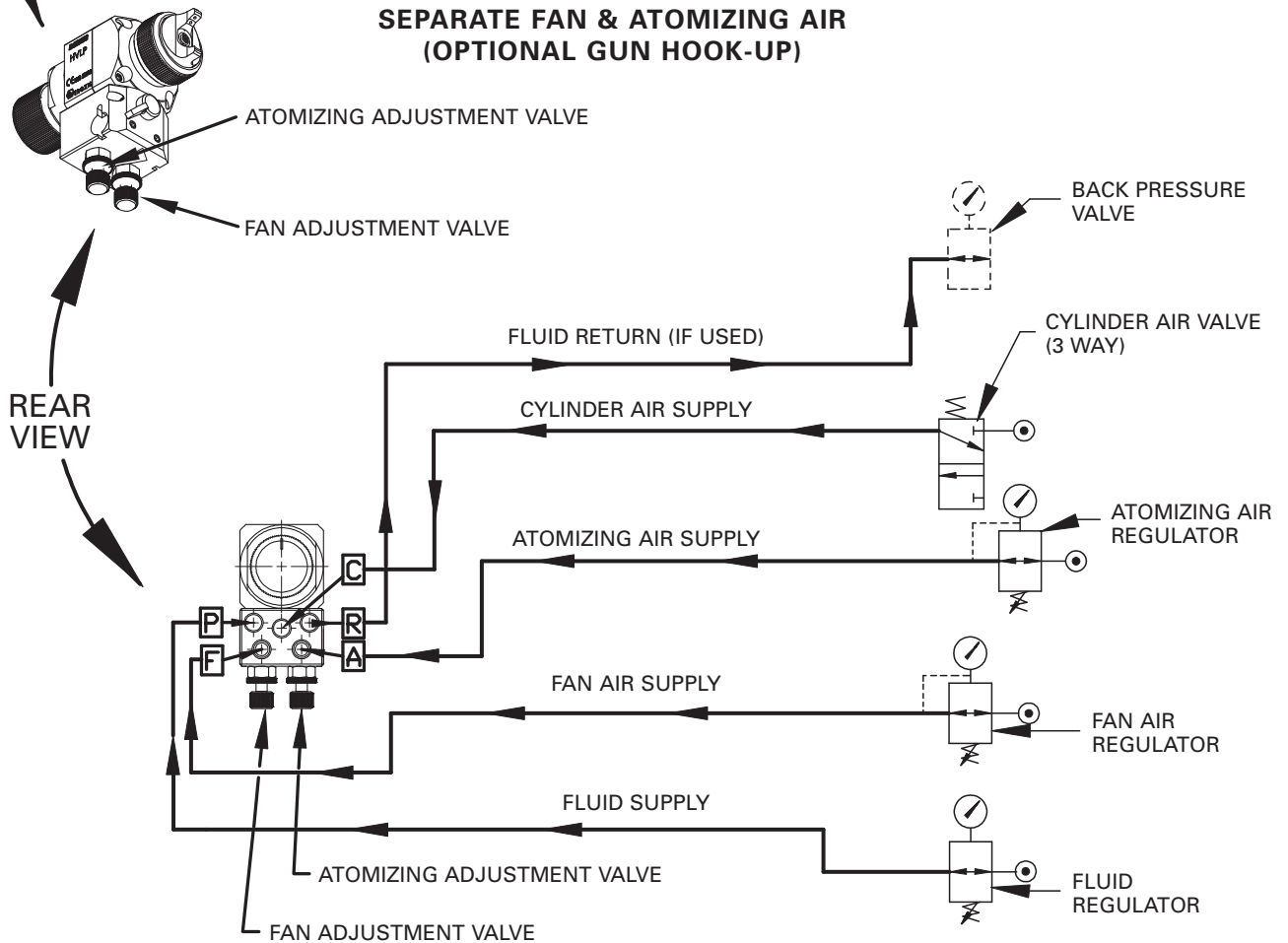
**STANDARD SET-UPS AVAILABLE FOR COMPACT-X AUTOMATIC SPRAY GUN**

<b>PART NUMBER</b>	<b>DESCRIPTION</b>
<b>HVLP GUNS</b>	
CMAX-B85-M	COMPACT AUTO-X HVLP .85 MM W/ MANIFOLD NO CAP
CMAX-B10-M	COMPACT AUTO-X HVLP 1.0 MM W/ MANIFOLD, NO AIR CAP
CMAX-B14-M	COMPACT AUTO-X HVLP 1.4 MM W/ MANIFOLD, NO AIR CAP
CMAX-B18-M	COMPACT AUTO-X HVLP 1.8 MM W/ MANIFOLD, NO AIR CAP
CMAX-B85PM	COMPACT AUTO-X HVLP .85 MM PLASTIC NEEDLE W/ MANIFOLD, NO AIR CAP
CMAX-B14PM	COMPACT AUTO-X HVLP 1.4 MM PLASTIC NEEDLE W/ MANIFOLD, NO AIR CAP
CMAX-B10-M-507	COMPACT AUTO-X HVLP 1.0 MM WITH MANIFOLD, 507 AIR CAP INCLUDED
CMAX-B14-M-507	COMPACT AUTO-X HVLP 1.4 MM WITH MANIFOLD, 507 AIR CAP INCLUDED
CMAX-B00-0	COMPACT AUTO-X HVLP NO MANIFOLD , LESS-- NOZZLE, NEEDLE, CAP
<b>TRANS-TECH GUNS</b>	
CMAX-G05-M-590	COMPACT AUTO-X TRANS .5 MM W/ MANIFOLD, 590 AIR CAP INCLUDED
CMAX-G85-M	COMPACT AUTO-X TRANS .85 MM W/ MANIFOLD, NO AIR CAP
CMAX-G10-M	COMPACT AUTO-X TRANS 1.0 MM W/ MANIFOLD, NO AIR CAP
CMAX-G-14-M	COMPACT AUTO-X TRANS 1.4 MM W/ MANIFOLD, NO AIR CAP
CMAX-G18-M	COMPACT AUTO-X TRANS 1.8 MM W/ MANIFOLD, NO AIR CAP
CMAX-G85PM	COMPACT AUTO-X TRANS .85 MM PLASTIC NEEDLE W/ MANIFOLD, NO AIR CAP
CMAX-G14PM	COMPACT AUTO-X TRANS 1.4 MM PLASTIC NEEDLE W/ MANIFOLD, NO AIR CAP
CMAX-G10-M-513	COMPACT AUTO-X TRANS 1.0 MM W/ MANIFOLD, 513 AIR CAP INCLUDED
CMAX-G-14-M-513	COMPACT AUTO-X TRANS 1.4 MM W/ MANIFOLD, 513 AIR CAP INCLUDED
CMAX-G00-0	COMPACT AUTO-X TRANS NO MANIFOLD, LESS-- NOZZLE, NEEDLE, CAP
<b>CONVENTIONAL GUNS</b>	
CMAX-10-M	COMPACT AUTO-X CONV. 1.0 MM W/ MANIFOLD, NO AIR CAP
CMAX-14-M	COMPACT AUTO-X CONV. 1.4 MM W/ MANIFOLD, NO AIR CAP
CMAX-18-M	COMPACT AUTO-X CONV. 1.8 MM W/ MANIFOLD, NO AIR CAP
CMAX-22-M	COMPACT AUTO-X CONV. 2.2 MM W/MANIFOLD, NO AIR CAP
CMAX-10-M-497	COMPACT AUTO-X CONV. 1.0 MM W/ MANIFOLD, 497 AIR CAP INCLUDED
CMAX-14-M-497	COMPACT AUTO-X CONV. 1.4 MM W/ MANIFOLD, 497 AIR CAP INCLUDED
CMAX-14PM	COMPACT AUTO-X CONV. 1.4 MM PLASTIC NEEDLE W/ MANIFOLD, NO AIR CAP
CMAX-00-0	COMPACT AUTO-X CONV. NO MANIFOLD, LESS-- NOZZLE, NEEDLE, CAP
<b>NOTE: Air caps can be ordered separately. Refer to page 8 for air cap ordering information.</b>	
<b>COMPACT AUTOMATIC - X GUN MOUNTING ADAPTERS AND HOSE FITTING KITS:</b>	
SPK-111	CEFLA MACHINES - MOUNTING ADAPTER KIT (PAGE 14)
6-531	CEFLA MACHINES - FITTING KIT FOR AIR AND FLUID (PAGE 14)
6-534	SUPERFICII MACHINES - FITTINGS FOR AIR AND FLUID (PAGE 13)
6-533	FLUID/AIR FITTING KIT FOR NPS CONNECTIONS (PAGE 15)

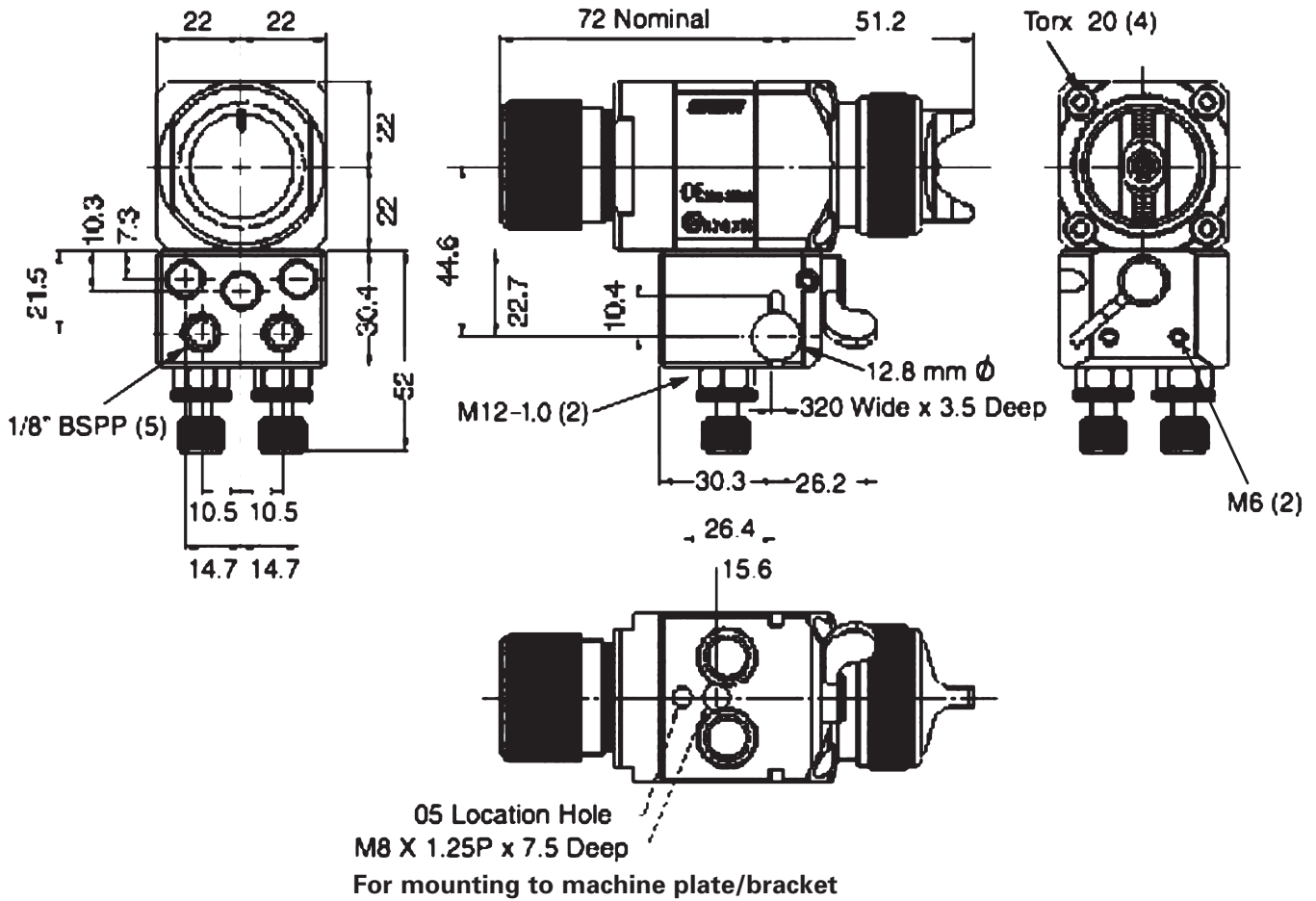
**COMBINED FAN & ATOMIZING AIR  
(STANDARD GUN HOOK-UP)**



**SEPARATE FAN & ATOMIZING AIR  
(OPTIONAL GUN HOOK-UP)**



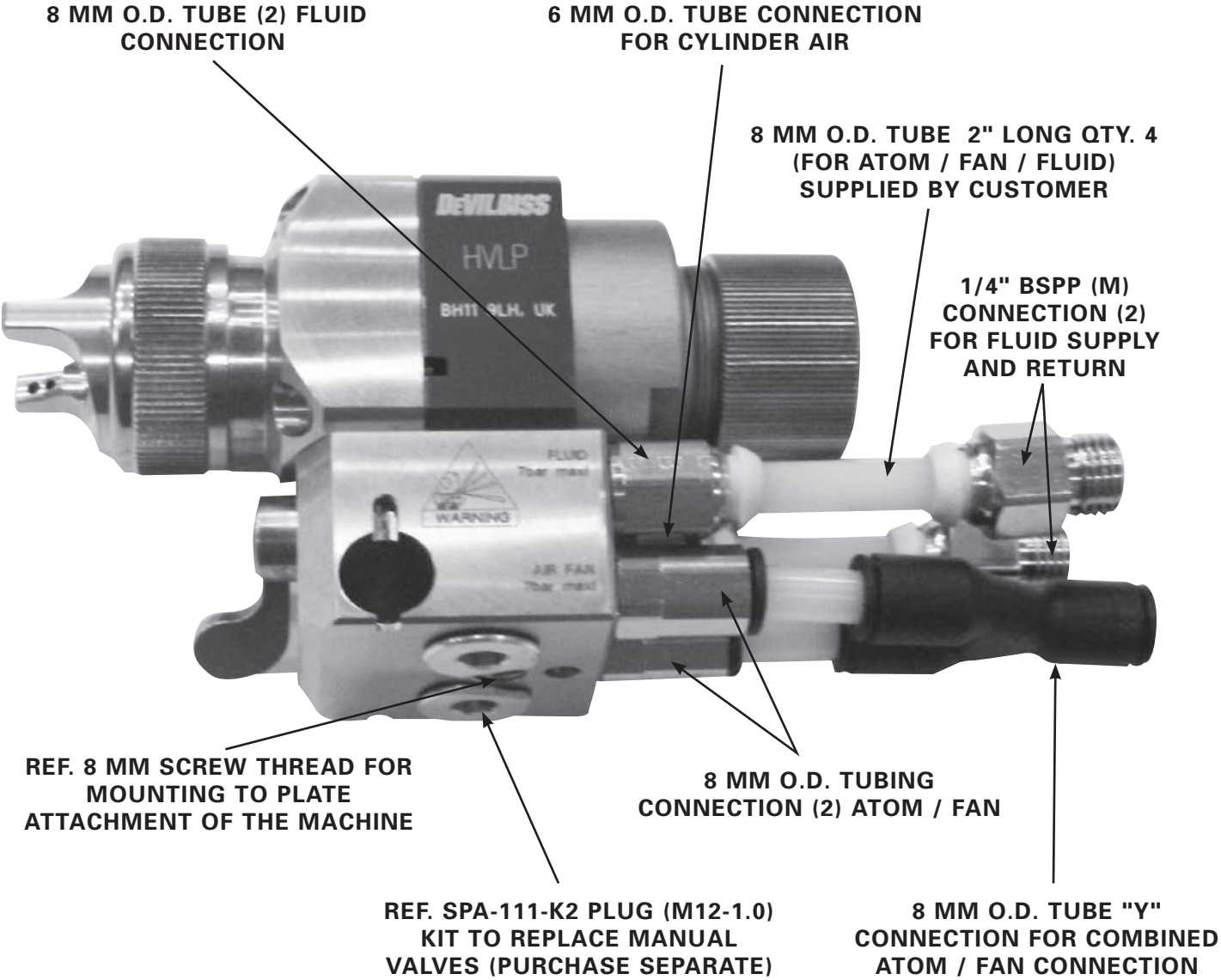
**INSTALLATION DIMENSIONS for COMPACT AUTOMATIC "X" GUN**



**DIMENSIONS IN MM  
(MULTIPLY BY .03937 TO OBTAIN INCHES)**

**BSPP = BRITISH STRAIGHT PIPE PARALLEL**

**6-534 SUPERFICI MACHINE FITTING KIT for COMPACT AUTOMATIC "X" GUN**

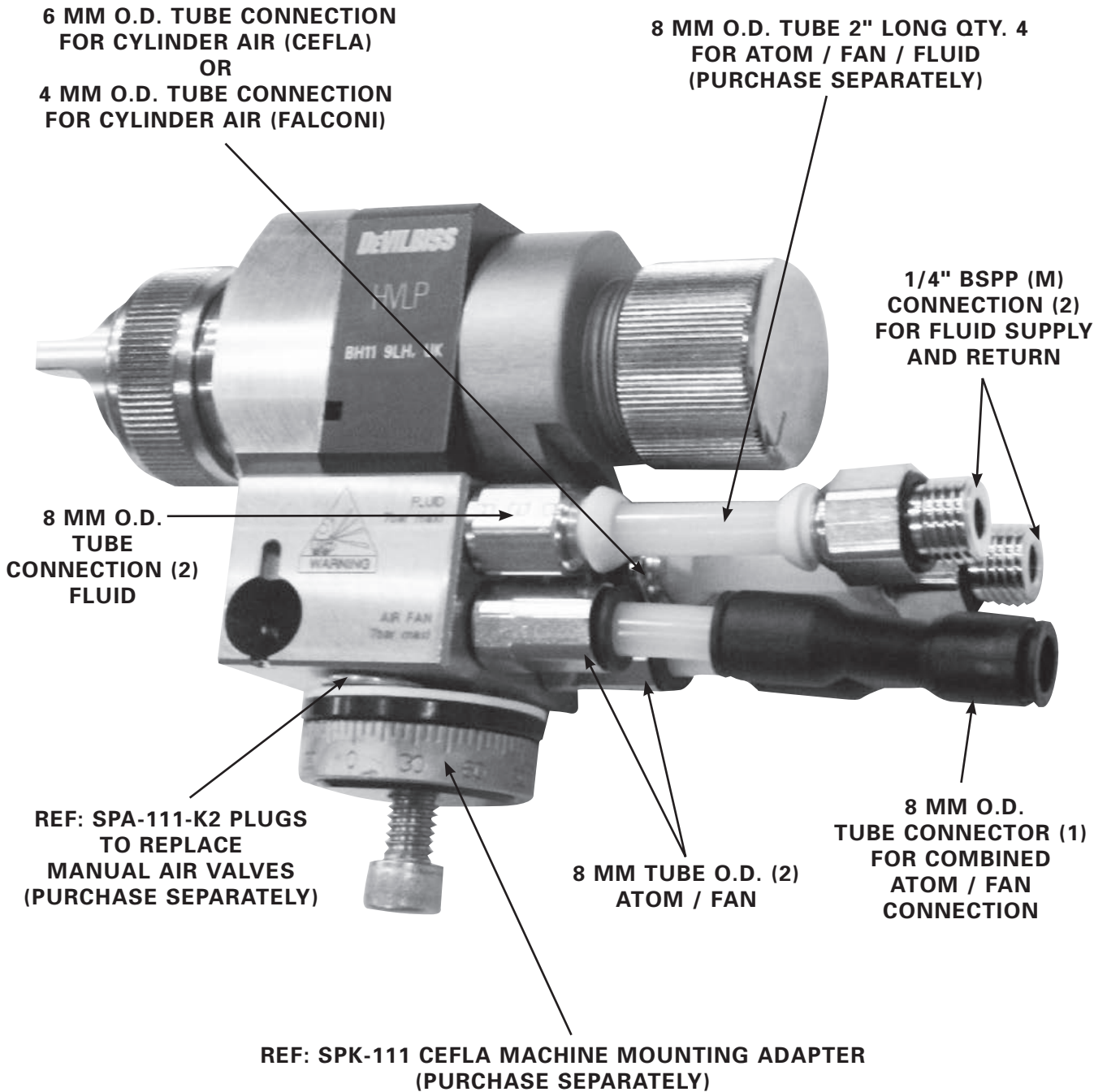


**NOTE: USE 1/8" BSPP PLUG (1) FOR FLUID RETURN PORT WHEN CIRCULATING IS NOT REQUIRED. (PLUG SUPPLIED WITH THIS KIT)**

**NOTE: ALL MANIFOLD AIR AND FLUID PORTS ARE 1/8" BSPP (m)**

**BSPP = BRITISH STRAIGHT PIPE PARALLEL**

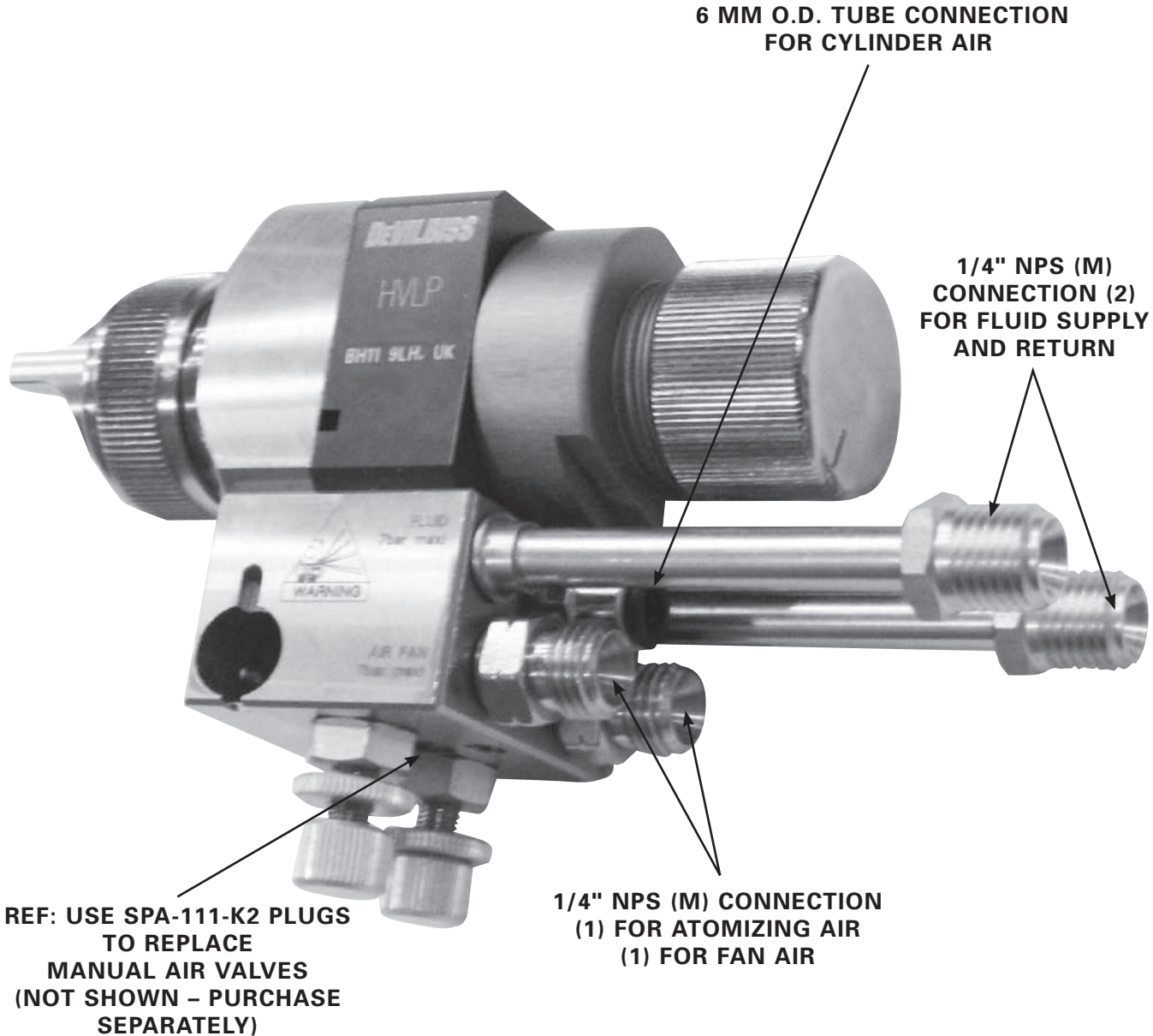
**6-531 CEFLA MACHINE FITTING KIT for COMPACT AUTOMATIC "X" GUN**



**NOTE: ALL MANIFOLD AIR AND FLUID PORTS ARE 1/8" BSPP (m)**

**BSPP = BRITISH STRAIGHT PIPE PARALLEL**

6-533 FITTING KIT WITH 1/4" NPS (m) for COMPACT AUTOMATIC "X" GUN



NOTE: ALL MANIFOLD AIR AND FLUID PORTS ARE 1/8" BSPP (m)

BSPP = BRITISH STRAIGHT PIPE PARALLEL

**WARRANTY**

This product is covered by DeVilbiss' 1 Year Limited Warranty.

---

**DeVilbiss Sales and Service: [www.devilbiss.com](http://www.devilbiss.com)**

---



U.S.A./Canada Customer Service  
195 Internationale Blvd.  
Glendale Heights, IL 60139  
630-237-5000

Toll Free Customer Service  
and Technical Support  
800-992-4657  
Toll Free Fax  
888-246-5732



## MANUAL DE OPERACIONES

### PISTOLA PULVERIZADORA AUTOMÁTICA COMPACT-X CONVENCIONAL (PLATEADA), TEC-TRANS (VERDE) Y HVIP (AZUL)

English: Pages 1-16

Español: Páginas 17-32



Información para pedir piezas de reemplazo	VER PÁGINA 20
Explicación de Convencional, Tec-Trans y HVLP	VER PÁGINA 25
Información completa para pedir el conjunto de la pistola pulverizadora	VER PÁGINA 26
Detalles de la instalación	VER PÁGINAS 27, 29, 30, 31



# Manual de Operaciones

## Pistola pulverizadora automática Compact-X

### Importante

**Lea y siga todas las instrucciones y precauciones de seguridad antes de usar este equipo**

#### CARACTERÍSTICAS

Esta pistola pulverizadora automática cumple con las regulaciones 94/9/CE de ATEX, nivel de protección II 2 G X, adecuada para uso en Zonas 1 y 2.

Esta pistola modelo Compact-X es una pistola pulverizadora de producción adecuada para uso con máquinas automáticas y semiautomáticas en aplicaciones convencionales, HVLP o de tecnología de transferencia. (Para detalles de aplicaciones ver página 25).

La pistola Compact-X tiene un colector de desprendimiento rápido de ¼ de vuelta, para reducir el tiempo de mantenimiento y configuración. Para funcionar con una amplia gama de materiales de recubrimiento los pasajes de fluido son

fabricados de acero inoxidable de alta calidad. Varias agujas están disponibles con puntas de plástico.

Esta pistola pulverizadora puede ser provista con un casquillo de aire indexado (se pide por separado). Usted puede capacitar su casquillo de aire con rotación libre quitando el anillo plástico indexado fijado con 2 clavijas en el casquillo de aire. El suministro de materiales alimentado a presión puede ser recirculatorio o directo.

La perilla de ajuste de la aguja tiene 18 posiciones de trinquete (por una revolución de la perilla) permite el control fino y preciso del caudal de flujo.

#### ESPECIFICACIONES Y MATERIALES DE CONSTRUCCIÓN

	Rosca	Presión
Entrada de fluido y recirculación "P" y "R"	1/8" BSPP(F)	Máx. 7 Bars (100 psi)
Entrada de aire (atomizador + ventilador) "A" y "F"	1/8" BSPP(F)	Máx. 7 Bars (100 psi)
Cilindro/disparador "Cyl"	1/8" BSPP(F)	de 4 a 7 Bars (60-100 psi)
Temperatura máxima en uso	40° C (104° F)	
Peso de la pistola pulverizadora	950 g (2 lbs)	
Cuerpo de la pistola	Aluminio duro anodizado	
Punta / aguja / boquilla pulverizadora / placa de asiento	Acero inoxidable 303	

#### Declaración de conformidad de CE











Nosotros, **Finishing Brands UK, Ringwood Rd, Bournemouth, Dorset, BH11 9LH, UK**, como los fabricantes de la **Pistola pulverizadora modelo COMPACT-X**, declaramos, bajo nuestra sola responsabilidad que el equipo al que se relaciona este documento cumple con las siguientes normas u otros documentos normativos:

**BS EN 292-1 PARTES 1 y 2: 1991, BS EN 1953: 1999;** y por consiguiente cumple con los requisitos de protección de la Directiva del Consejo **98/37/CEE** relacionada con la **Directiva de Seguridad de Maquinarias**, y; **EN 13463-1:2001**, la Directiva del Consejo **94/9/CE** relacionada con **Equipos y Sistemas Protectores** destinados para uso en **Atmósferas Potencialmente Explosivas** nivel de protección **II 2 G X**.

**D. Smith**, Gerente General  
12 de febrero de 2014



## ADVERTENCIAS DE SEGURIDAD

   	<p><b>INCENDIO Y EXPLOSIÓN</b></p> <p>Los disolventes y los materiales de recubrimiento pueden ser altamente inflamables o combustibles al ser rociados. <b>Consulte SIEMPRE las instrucciones del proveedor del material de recubrimiento y la hoja de datos de seguridad de los materiales (MSDS) antes de usar este equipo.</b></p> <p>Los usuarios deben cumplir con todos los códigos locales y nacionales de práctica y los requisitos de la compañía aseguradora que rigen la ventilación, precauciones para casos de incendio, operación y limpieza de las áreas de trabajo.</p> <p><b>Este equipo, como se provee, <u>NO</u> es adecuado para uso con Hidrocarburos Halogenados.</b></p> <p>La electricidad estática puede ser generada por el fluido y/o el aire que pasa por las mangueras, por el proceso de rociado y limpiando con paños las partes no conductoras. Para prevenir la ignición por descargas estáticas, se debe mantener la continuidad de la conexión a tierra hacia la pistola pulverizadora y otros equipos metálicos utilizados. Es esencial utilizar aire conductor y/o mangueras de fluidos.</p>
    	<p><b>EQUIPO DE PROTECCIÓN PERSONAL</b></p> <p><b>Vapores tóxicos</b> – <i>Al ser rociados, ciertos materiales pueden ser tóxicos, producir irritación o perjudicar la salud. Lea siempre todas las etiquetas, hojas de datos de seguridad y siga todas las recomendaciones para los materiales antes de rociar. Si tiene duda, póngase en contacto con su proveedor de materiales.</i></p> <p>Se recomienda usar todo el tiempo equipo de protección para la respiración. El tipo de equipo tiene que ser compatible con el material que está siendo rociado.</p> <p>Use siempre protección para los ojos al rociar o limpiar la pistola pulverizadora.</p> <p>Se deben usar guantes al rociar o limpiar el equipo.</p>
	<p><b>CAPACITACIÓN</b></p> <p>El personal tiene que recibir la capacitación adecuada en el uso sin riesgos del equipo pulverizador.</p>
	<p><b>USO INDEBIDO</b></p> <p>Nunca apunte la pistola pulverizadora a una parte del cuerpo.</p> <p>Nunca sobrepase la presión de trabajo segura máxima recomendada para el equipo.</p> <p>El uso de piezas de reemplazo no recomendadas o no originales puede resultar peligroso.</p> <p>Antes de limpiar o dar mantenimiento, se debe eliminar toda la presión del equipo.</p> <p>Las partes metálicas del producto se pueden limpiar usando una máquina para limpiar pistolas. Sin embargo, no se debe dejar este equipo dentro de máquinas para limpiar pistolas por períodos prolongados. Ciertos sellos y las juntas tóricas podrían no ser compatibles con el disolvente.</p>
	<p><b>NIVELES DE RUIDO</b></p> <p>El nivel de ruido con ponderación A de las pistolas pulverizadoras puede sobrepasar los 85 dB (A) dependiendo de la configuración que se esté usando. Los detalles de los niveles de ruido reales están disponibles previa solicitud. Se recomienda el uso de protección para los oídos siempre que se rocíe.</p>
	<p><b>OPERACIÓN</b></p> <p>Los equipos pulverizadores que usan presiones altas pueden generar fuerzas de reacción. Bajo ciertas circunstancias, tales fuerzas pueden producir lesiones repetitivas por tensión en el operador.</p>

**LISTA DE PIEZAS**

Para la disposición de las piezas, consulte la vista de componentes en la página 21.

Artículo	Descripción	Número de pieza	Cant.
1	Ver tabla y referencia en la página 22. Casquillo de aire con anillo de retención, sellos y sin anillo indexado.	SP-100-xxx-K	1
2	Punta hidráulica con sello del separador de aire SPA-27-K5 Ø 0.85 / 1.0 / 1.4 / 1.8 / 2.2 mm Ø 0.5 para casquillo de aire 590    Ø 0.7 para casquillo de aire 591	SP-200S-xx-K SP-259S-xx-K	1
4	Anillo posicionador para el casquillo de aire indexado (artículo opcional)	SPA-112	1
5	Sello del separador de aire (kit de 5 anillos)	SPA-27-K5*	1
6	Tornillo M4 x 25 kit de 4 (Torx 20) — (kit incluye los artículos 6, 8a, 12a)	SPK-108*	4
8	Boquilla pulverizadora – Compact-X	SPA-50P	1
8a	Varilla de sujeción en la placa de asiento (kit incluye los artículos 6, 8a, 12a)	SPK-108*	1
9	Sello empaquetador para aguja (kit incluye los artículos 9▲, 11)	SPK-107*	1
10	Junta tórica (kit incluye los artículos 10, 12b)	SPK-109*	4
11	Empaque para junta tórica (kit incluye los artículos 9, 11■)	SPK-107*	2
12	Cuerpo de la pistola para el modelo Compact-X (-S = Plateado / -G = Verde / -B = Azul)	SPA-1-CMAX-S SPA-1-CMAX-G SPA-1-CMAX-B	1
12a	Tubo de aire localizador (kit incluye los artículos 6, 8a, 12a)	SPK-108*	1
12b	Junta tórica (kit incluye los artículos 10, 12b)	SPK-109*	1
13	Válvula de aire (ventilador / atomizador)	AGG-403	2
14	Junta tórica (kit incluye los artículos 14, 15c, 15d, 16)	SPK-104*	1
15	Émbolo montaje (incluye los artículos 14, 15b, 15c, 15d, 16)	SPA-60X-K	1
15b	Émbolo para válvula de aire (kit incluye cant. 2)	SPA-60X-K	1
15c	Junta tórica para émbolo pequeño (kit incluye los artículos 14, 15c, 15d, 16)	SPK-104*	2
15d	Junta tórica para émbolo grande (kit incluye los artículos 14, 15c, 15d, 16)	SPK-104*	1
16	Junta tórica para émbolo para aguja (kit incluye los artículos 14, 15c, 15d, 16)	SPK-104*	1
17	Resorte del émbolo (kit incluye los artículos 17, 22, 23, 24)	SPK-105*	1
18	Aguja de acero inoxidable 0.5 / 0.7 / 0.85 / 1.0 / 1.4 / 1.8 / 2.2 Punta de plástico 1.0 / 1.4	SPA-320-xx SPA-320P-xx	1
19	Alojamiento	SPA-3	1
20	Anillo y bola (2) (kit incluye los artículos 20, 21, 25)	SPK-106*	1
21	Anillo (kit incluye los artículos 20, 21, 25)	SPK-106*	1
22	Resorte de la aguja (kit incluye los artículos 22, 23, 24)	SPK-105*	1
23	Tapa de resorte (kit incluye los artículos 22, 23, 24)	SPK-105*	1
24	Arandela de resorte (kit incluye los artículos 22, 23, 24)	SPK-105*	1
25	Perilla de ajuste (kit incluye los artículos 20, 21, 25)	SPK-106*	1
27	Manifold asamblea — completa con palanca y válvulas de aire	SPA-55-K	1
28	Palanca inmovilizadora (kit incluye los artículos 28, 28a, 8a)	SPA-56-K*	1
28a	Tornillo sujetador del dispositivo de seguridad (kit incluye los artículos 28, 28a, 8a)	SPA-56-K*	1
29	Tuerca de la barra de montaje de la pistola (kit incluye los artículos 29, 30, 31)	SPK-110*	1
30	Barra de montaje de la pistola (kit incluye los artículos 29, 30, 31)	SPK-110*	1
31	M6 tornillo con cabeza encastrada hexagonal, longitud 5.5 (kit incluye los artículos 29, 30, 31)	SPK-110*	2
32	Kit de 2 tapones que reemplazan la válvula de aire manual (13) — para ven/atom remoto	SPA-111-K2*	1
33	Kit de anillo de retención con empaque (kit incluye anillo para el casquillo de aire y las empaques)	SPK-102-K*	1
34	Tapón para puerto de recirculación (kit incluye una llave hexagonal SPA-30)	SPK-116*	1
35	Tapón para manifold, 1/8" BSPP (no se vende como una pieza de reemplazo)	REF.	1

\*Piezas de reemplazo—Se deben pedir como parte de los kits de reemplazo listados anteriormente.  
Ver kits de adaptadores y accesorios adicionales en la página 26.

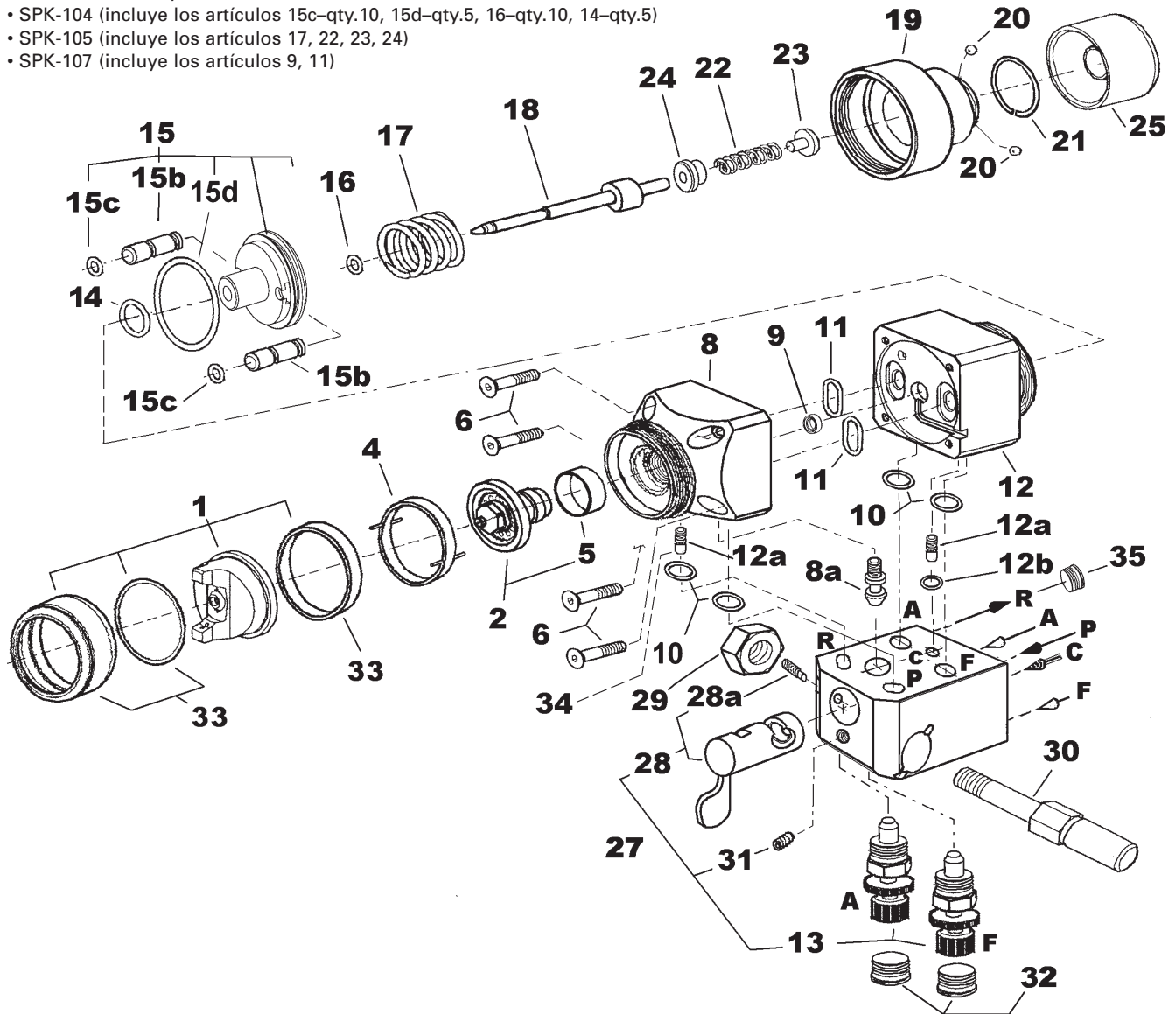
▲ Artículo 9: Sello empaquetador sólo (paquete de 10) SPA-86-K10.  
Opcional: Sello empaquetador sólo (paquete de 2) SPA-20-K2.

■ Artículo 11: Empaque para junta tórica sólo (paquete de 10) SPA-53-K10.

**PISTOLA PULVERIZADORA AUTOMÁTICA COMPACT-X**

SÓLO COMO REFERENCIA:

- SPA-60X-K (incluye los artículos 14, 15b, 15c, 15d, 16)
- SPK-104 (incluye los artículos 15c-qty.10, 15d-qty.5, 16-qty.10, 14-qty.5)
- SPK-105 (incluye los artículos 17, 22, 23, 24)
- SPK-107 (incluye los artículos 9, 11)



NOTA: La llave Torx SPN-8 para el artículo 6 se envía con la pistola.  
 La llave hexagonal SPN-30 para el artículo 34 se envía con la pistola.  
 SPN-8 y SPN-30 no ilustrados en la vista de componentes anteriores.

Ver la página 26 para configuraciones estándares.  
 Ver página 27 para esquema de enganche.

**PISTOLA AUTOMÁTICA COMPACT-X**

**EJEMPLO DE SISTEMA DE NUMERACIÓN DE PIEZAS**

**CMAx-B85PM-507**

CMAx-	B	85	P	M	507
Pistola pulverizadora automática Compact-X tipo colector	<b>B</b> = Azul (HVLP) <b>G</b> = Verde (Tec-Trans) <b>Ninguna letra</b> = Convencional	<b>85</b> = 0.85 mm boquilla de fluido y aguja <b>00</b> = Sin boquilla hidráulica, Sin aguja	<b>P</b> = Aguja plástica <b>- o ninguna letra</b> = Aguja de acero inoxidable	<b>M</b> = Con colector <b>O</b> = Sin colector	<b>507</b> = Casquillo de aire

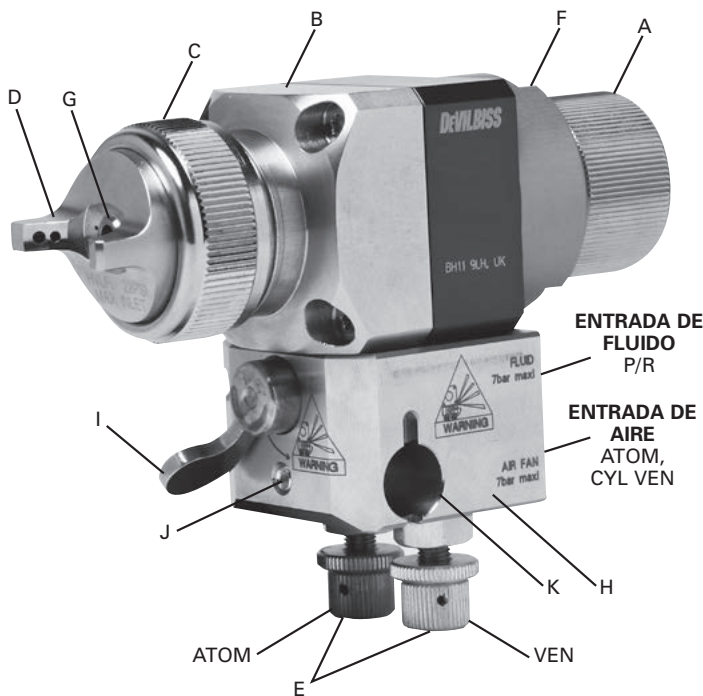
**PISTOLA AUTOMÁTICA Compact-X — CASQUILLOS DE AIRE DISPONIBLES**

Casquillo de aire	Tipo	Flujo de aire		Presión en la entrada		Caudal de fluido		Tamaño del patrón @ 8" de distancia	
		SCFM	l/min	psi	bar	oz/min	ml/min	pulg.	mm
SP-100-430-K	Convencional	12	340	50.7	3.5	6.7 - 9.5	200 - 280	7.9	200
SP-100-443-K	Convencional	12.2	345	43.5	3.0	6.7 - 10.1	200 - 300	11.8	300
SP-100-497-K	Convencional	18	510	50.7	3.5	6.7 - 20.2	200 - 600	15.0	380
SP-100-500R-K	Aerosol Ronda HVLP	6.8	200	16.0	1.1	.6 - 5.0	20-150	1.6	40
SP-100-507-K	H V L P	19	385	40	1.4	4.4 - 6.5	130 - 190	10.6	270
SP-100-510-K	Tecnología de transferencia	10	283	29	2.0	5.4 - 7.5	160 - 220	10.6	270
SP-100-513-K	Tecnología de transferencia	18.8	531	43.5	3.0	6.7 - 20.2	200 - 600	13.8	350
SP-100-522-K	Tecnología de transferencia	14.5	410	29	2.0	6.7 - 20.2	200 - 600	13.8	350
SP-100-590-K	Tecnología de transferencia	7.7	218	29	2.0	1.6 - 5.0	50 - 150	6.0	150
SP-100-591-K	Tecnología de transferencia	12.3	350	29	2.0	1.7 - 5.1	50 - 150	4.5	115
KK-5090-507	Kit de prueba para HVLP – incluye tapa, calibrador y tubo								

Other test kits available: KK-5090-430, KK-5090-443, KK-5090-497, KK-5090-506, KK-5090-510, KK-5090-513, KK-5090-522, KK-5090-590

**PISTOLA AUTOMÁTICA Compact-X — COMBINACIONES DEL CASQUILLO DE AIRE**

		TIPO	CONVENCIONAL			HVLP		TECNOLOGÍA DE TRANSFERENCIA				
CASQUILLO DE AIRE MODELO NO.			430	443	497	500R	507	510	513	522	590	591
TAMAÑOS DE PUNTA HIDRÁULICA	.020" (0.5 mm)										X	X
	.028" (0.7 mm)											X
	.033" (0.85 mm)					X	X	X	X	X		X
	.039" (1.0 mm)	X	X	X	X	X	X	X	X	X		
	.055" (1.4 mm)	X	X	X	X	X	X	X	X	X		
	.070" (1.8 mm)	X	X	X	X	X	X	X	X	X		
	.086" (2.2 mm)	X	X	X	X	X	X					



A	Perilla de ajuste del desplazamiento de la aguja – 18 posiciones por una vez
B	Cabeza de la pistola – acero inoxidable
C	Anillo del casquillo de aire
D	Casquillo de aire
E	Válvula de aire (ventilador / atomizador)
F	Cuerpo de la pistola pulverizadora – aluminio anodizado
G	Punta hidráulica – acero inoxidable
H	Manifold – acero inoxidable
I	Palanca inmovilizadora de la manifold
J	Tornillo de apoyo/apriete
K	Orificio de montaje de la pistola pulverizadora – 1/2" de diámetro
P/R	Entrada de fluido, retorno de fluido

## INSTALACIÓN

### MANGUERAS DE AIRE Y LÍQUIDO

Ver las páginas 27, 29, 30 y 31 para los detalles de instalación.

Utilice suministros de aire regulados y filtrados separados para el atomizador y el cilindro neumáticos. Conecte todas las mangueras de aire y fluido en la parte trasera del colector (1/8" BSP): (Ver figura)

- Cilindro neumático 'C = Cyl' mediante una válvula de control. Para la operación rápida del cilindro, la válvula de control se debe colocar lo más cerca de la pistola posible o instalar en la línea una válvula de exhaustación rápida.
- Suministro de aire del atomizador y del ventilador "F" y "A" separados.
- Manguera del material 'P'. Si se necesita la recirculación del material, quitar el tapón del ventilador 'R' (35) y retirar el tapón de boquilla pulverizadora (34).

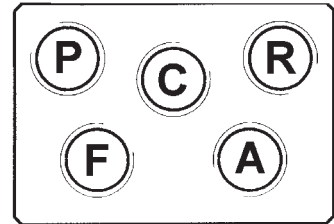
**Tamaño de la manguera recomendado hasta 34 pies (10 m) de longitud:**

Atomización neumática = 0.315 pulg. (8 mm)

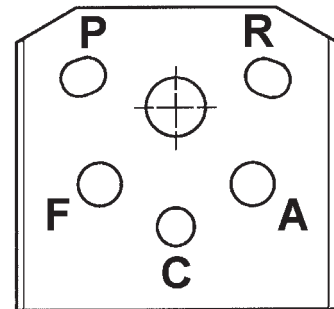
Cilindro neumático = 0.236 pulg. (6 mm)

Material = 0.315 pulg. (8 mm)

### Superficie TRASERA del colector



### Superficie SUPERIOR del colector



**Importante:** La pistola pulverizadora debe conectarse a tierra para disipar cualquier carga electrostática que pueda ser creada por caudales de fluido o flujos de aire. Esto se puede lograr mediante la montura de la pistola pulverizadora o las mangueras conductoras de aire/fluido. Se debe chequear la conexión eléctrica de la pistola pulverizadora a tierra con un ohmiómetro. Se recomienda una resistencia de menos de  $10^6$ .



**Importante:** Para asegurar que usted reciba este equipo en condiciones óptimas, se han usado recubrimientos protectores. Antes de usarlo, lave bien el equipo con el disolvente apropiado. Instale la placa de asiento de la pistola pulverizadora usando un vástago de montaje (ref. 30) y ajústela con la tuerca (ref. 29).

### MONTAJE

Verifique que la pistola tenga instaladas todas las juntas tóricas en la superficie selladora y verifique que el dispositivo de seguridad (28) se encuentre en la posición correcta para asegurar la pistola pulverizadora en la placa de conexión.

1. La válvula de aire del **ATOMIZADOR 'A'** controla la presión del atomizador neumático.
2. La válvula del **VENTILADOR 'F'** controla el tamaño del patrón de pulverización.
3. El caudal de fluido se puede ajustar con la perilla trasera del trinquete (25).

**Para la disposición de las piezas, consulte la vista de componentes en la página 21.**

### INICIO

1. Gire la perilla de ajuste de la aguja (25) en sentido horario hasta que la aguja se cierre completamente.
2. Gire las válvulas de aire (13) del **VENTILADOR 'F'** y del **ATOMIZADOR 'A'** en sentido antihorario para que se abran completamente.
3. Utilice la tabla del casquillo de aire para fijar la presión de aire en el regulador de aire para lograr la presión recomendada.
4. Gire la perilla de ajuste (25) en sentido antihorario para obtener el caudal de fluido que desee.
5. Pruebe el pulverizador. Si el acabado es muy seco o fino, reduzca el flujo de aire reduciendo la presión de entrada de aire o atornillando la válvula del **ATOMIZADOR 'A'** (13) en sentido horario o aumente el caudal de fluido utilizando la perilla del trinquete, haciéndola girar en sentido antihorario.

## INSTALACIÓN (CONTINÚA)

### INICIO (continúa)

- Si el acabado es muy húmedo, gire la perilla del trinquete (25) en sentido horario para reducir el caudal de fluido o reducir la presión del fluido. Si la atomización es muy gruesa, aumente la presión de aire de entrada o reduzca el caudal de fluido.
- El tamaño del patrón se puede reducir girando la válvula de ajuste del **VENTILADOR 'F'** (13) en sentido horario.
- El patrón de pulverización produce mejores resultados cuando es perpendicular al blanco.
- La distancia de rociado recomendada es de 6" a 8" (150-220 mm).
- Rocíe los bordes primero. Superponga cada golpe de rociado al menos un 50%. Mueva la pistola a velocidad constante.
- Apague siempre el suministro de aire y fluido y reduzca la presión y limpie cuando la pistola no esté en uso.

---

## MANTENIMIENTO

### MANTENIMIENTO PREVENTIVO



**Apague el suministro de aire y recubrimiento y reduzca la presión en las líneas de suministro o desconéctelo de la línea de aire o de la línea de fluido.**

- Desenganche la pistola pulverizadora de la placa de asiento, quítela y, si hubiese una disponible, reacople una pistola alternativa. Ahora el mantenimiento de la pistola pulverizadora se puede hacer desde el exterior del recinto de pulverización sin interrumpir la producción.
- Quite el casquillo de aire (1) y limpie. Si cualquiera de los orificios en el casquillo está bloqueado con material de recubrimiento use un palillo de dientes para limpiarlo. Nunca use alambre metálico que pueda dañar el casquillo y distorsionar los patrones de pulverización
- Asegúrese de que la boquilla de la punta hidráulica (2) esté limpia y sin daños. Cualquier acumulación de pintura seca puede distorsionar el patrón de pulverización.

### REEMPLAZO DE PIEZAS PUNTA (2) Y AGUJA (18)



**Apague el suministro de aire y recubrimiento y reduzca la presión en las líneas de suministro antes de iniciar cualquier operación de mantenimiento.**

Quite el casquillo de aire (1) destornillando su anillo de retención en sentido antihorario, quite el anillo indexado si permanece en la cabeza de la pistola (si está colocado y ha sido usado).

Quite la punta (2) y su anillo separador de aire (3) destornillándolos en sentido antihorario con una llave hexagonal de 10 mm.

Destornille la perilla de ajuste de la aguja (25) girándola completamente en sentido antihorario, empuje la aguja desde la parte delantera de la pistola pulverizadora, con cuidado para no dañar el extremo de la aguja, luego saque la aguja (18) desde la parte trasera.

Si fuese necesario, vuelva a colocar la aguja y la punta, primero reajustando la punta con su anillo separador de aire (par de torsión recomendado entre 9,5 y 12 Nm).

Lubrique todas las superficies de la aguja que estarán en contacto con el empaque y la junta tórica. Deslice la aguja en la pistola pulverizadora desde la parte trasera. Fije los resortes de la aguja en su atenuador plástico correspondiente (22, 23, 24) y vuelva a colocar la perilla de ajuste de la aguja (25).

### SELLO EMPAQUETADOR (9)

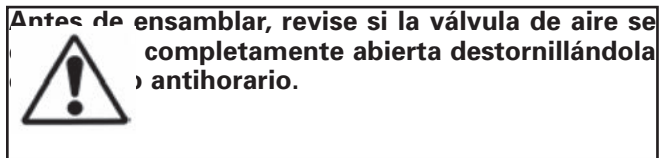
Destornille el casquillo de aire (1), la punta (2) y su anillo separador de aire (3).

Destornille los 4 tornillos (6) para desmontar la cabeza de la pistola (8). Empuje hacia atrás el sello empaquetador (9) utilizando una varilla de 5,5 mm de diámetro desde la parte delantera de la cabeza de la pistola. Limpie el orificio de localización del empaque cuidadosamente con el disolvente adecuado.

Instale un nuevo sello empaquetador (9) con su lado en "U" orientado hacia el pasaje del fluido.



## REEMPLAZO DE PIEZAS (CONTINÚA)

**VÁLVULA DE AIRE DEL VENTILADOR Y ATOMIZADOR (13)**

Se recomienda volver a instalar todas las juntas tóricas (14, 16 y 15c) en el cuerpo de la pistola tan pronto usted desmonte el émbolo de la pistola.

Lubrique ligeramente el borde del émbolo antes de instalarlo en el cuerpo de la pistola. Use vaselina para lubricar las piezas del émbolo y juntas tóricas.

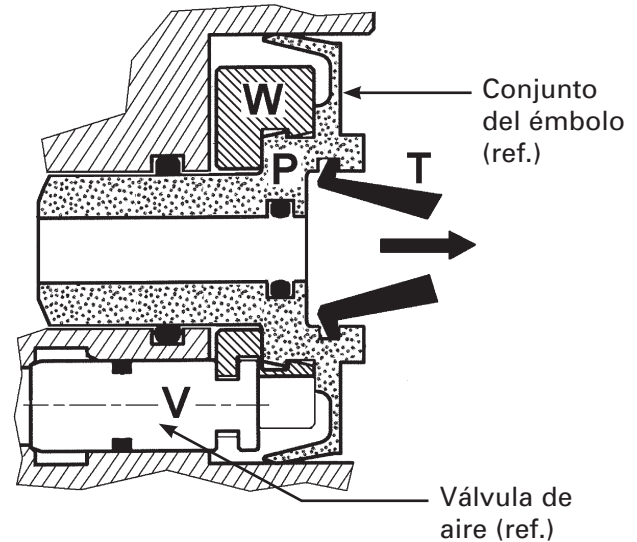
**ÉMBOLO (15), JUNTA TÓRICA (16, 14 Y 15C)**

Destornille el alojamiento trasero (19) en la parte trasera del cuerpo de la pistola en sentido antihorario, saque la aguja (18).

Utilice pinzas de nariz doblada en "T" para extraer el émbolo que tiene una muesca interna de 12 mm para este fin.

El émbolo "P+W" y dos válvulas "V" serán eyectadas al mismo tiempo. El anillo "W" se coloca oprimiéndolo dentro del émbolo y no se puede separar del mismo.

La válvula "V" se puede sacar con facilidad del anillo del émbolo. Recomendamos volver a colocar la pistola completa al mismo tiempo (artículo número SPA-60x-K).

**TECNOLOGÍA DE LA PISTOLA PULVERIZADORA DE DEVILBISS—DETALLES DE APLICACIÓN****HVLP (AZUL)****Mantiene el cumplimiento reglamentario**

La pistola Compact "azul" de DeVilbiss le permite mantener el cumplimiento con las normas de EPA y producir un acabado soberbio.

Diseñada para proporcionar una atomización de recubrimiento excepcional, la pistola Compact "azul" puede usarse con todos los tipos de disolventes y materiales hidrotransportados.

El rendimiento superior de la pistola se combina con un cuerpo liviano, diseñado para dar comodidad al operador y aumentar la productividad.

**TECNOLOGÍA DE TRANSFERENCIA (VERDE)****Máxima eficiencia con responsabilidad ambiental**

La pistola Compact "verde" de DeVilbiss utiliza los avances más recientes en dinámica computacional de fluidos. El resultado es una automatización superior con la nueva **TECNOLOGÍA DE TRANSFERENCIA** de DeVilbiss.

Transferencia de material excepcionalmente eficiente para cobertura y uso de pintura óptimos se logra con un consumo de aire reducido, reduciendo sus necesidades de electricidad y costos de energía eléctrica.

Supera sus requisitos de producción con los niveles más altos de atomización a un ritmo acelerado de aplicación de hasta de 600cc/min.

**CONVENCIONAL (PLATEADA)****Supera en rendimiento a la competencia**

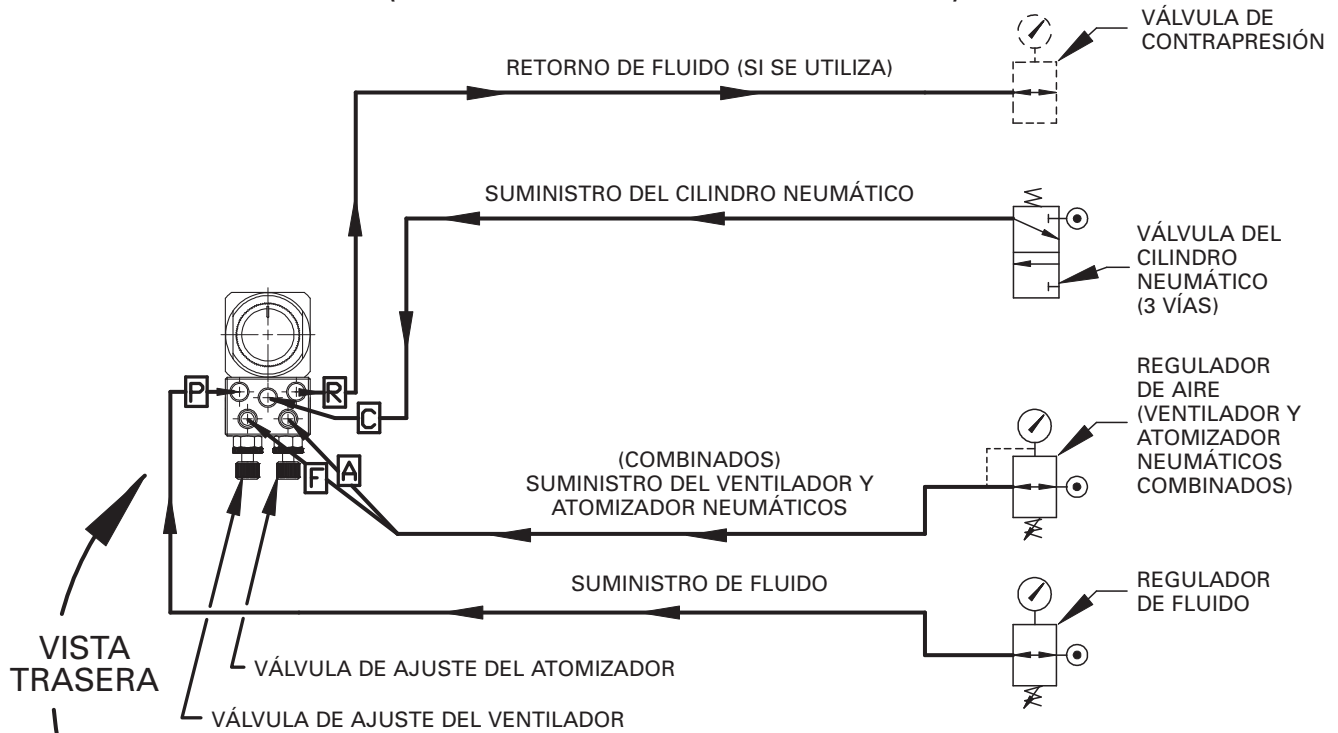
La pistola Compact "plateada" de DeVilbiss es nuestra pistola convencional avanzada y tiene un flujo de aire único de alta capacidad con atomización excepcional para producir resultados superiores.

Los casquillos de aire convencionales avanzados de la pistola Compact permiten un rendimiento ideal de esta pistola en operaciones tanto pequeñas como en instalaciones de gran volumen, con la bonificación adicional de una mejora instantánea de la productividad de los acabados.

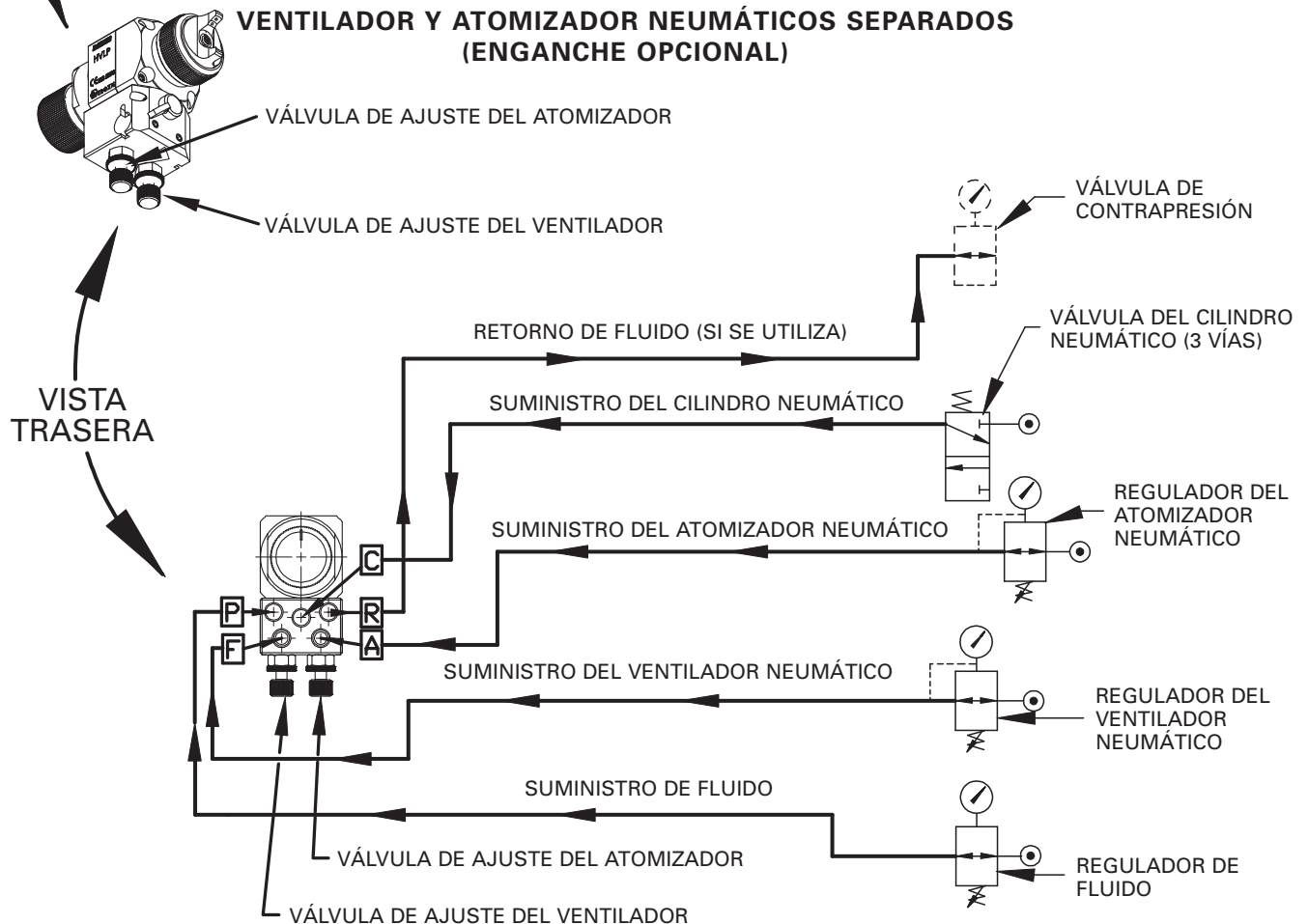
## CONFIGURACIONES ESTÁNDARES DISPONIBLES PARA LA PISTOLA PULVERIZADORA AUTOMÁTICA COMPACT-X

NÚMERO DE PIEZA	DESCRIPCIÓN
<b>PISTOLAS HVLP</b>	
CMAX-B85-M	PISTOLA AUTOMÁTICA COMPACT-X HVLP 0.85 MM CON COLECTOR, SIN CASQUILLO
CMAX-B10-M	PISTOLA AUTOMÁTICA COMPACT-X HVLP 1.0 MM C/COLECTOR, SIN CASQUILLO DE AIRE
CMAX-B14-M	PISTOLA AUTOMÁTICA COMPACT-X HVLP 1.4 MM C/COLECTOR, SIN CASQUILLO DE AIRE
CMAX-B18-M	PISTOLA AUTOMÁTICA COMPACT-X HVLP 1.8 MM C/COLECTOR, SIN CASQUILLO DE AIRE
CMAX-B85PM	PISTOLA AUTOMÁTICA COMPACT-X HVLP 0.85 MM AGUJA PLÁSTICA C/COLECTOR, SIN CASQUILLO DE AIRE
CMAX-B14PM	PISTOLA AUTOMÁTICA COMPACT-X HVLP 1.4 MM AGUJA PLÁSTICA C/COLECTOR, SIN CASQUILLO DE AIRE
CMAX-B10-M-507	PISTOLA AUTOMÁTICA COMPACT-X HVLP 1.0 MM C/COLECTOR, 507 CASQUILLO DE AIRE INCLUIDO
CMAX-B14-M-507	PISTOLA AUTOMÁTICA COMPACT-X HVLP 1.4 MM C/COLECTOR, 507 CASQUILLO DE AIRE INCLUIDO
CMAX-B00-0	PISTOLA AUTOMÁTICA COMPACT-X HVLP SIN COLECTOR, MENOS BOQUILLA, AGUJA, CASQUILLO
<b>PISTOLAS TEC-TRANS</b>	
CMAX-G05-M-590	PISTOLA AUTOMÁTICA COMPACT-X TRANS 0.5 MM C/COLECTOR, 590 CASQUILLO DE AIRE INCLUIDO
CMAX-G85-M	PISTOLA AUTOMÁTICA COMPACT-X TRANS 0.85 MM C/COLECTOR, SIN CASQUILLO DE AIRE
CMAX-G10-M	PISTOLA AUTOMÁTICA COMPACT-X TRANS 1.0 MM C/COLECTOR, SIN CASQUILLO DE AIRE
CMAX-G-14-M	PISTOLA AUTOMÁTICA COMPACT-X TRANS 1.4 MM C/COLECTOR, SIN CASQUILLO DE AIRE
CMAX-G18-M	PISTOLA AUTOMÁTICA COMPACT-X TRANS 1.8 MM C/COLECTOR, SIN CASQUILLO DE AIRE
CMAX-G85PM	PISTOLA AUTOMÁTICA COMPACT-X TRANS 0.85 MM AGUJA PLÁSTICA C/COLECTOR, SIN CASQUILLO DE AIRE
CMAX-G14PM	PISTOLA AUTOMÁTICA COMPACT-X TRANS 1.4 MM AGUJA PLÁSTICA C/COLECTOR, SIN CASQUILLO DE AIRE
CMAX-G10-M-513	PISTOLA AUTOMÁTICA COMPACT-X TRANS 1.0 MM C/COLECTOR, 513 CASQUILLO DE AIRE INCLUIDO
CMAX-G-14-M-513	PISTOLA AUTOMÁTICA COMPACT-X TRANS 1.4 MM C/COLECTOR, 513 CASQUILLO DE AIRE INCLUIDO
CMAX-G00-0	PISTOLA AUTOMÁTICA COMPACT-X TRANS SIN COLECTOR, MENOS BOQUILLA, AGUJA, CASQUILLO
<b>PISTOLAS CONVENCIONALES</b>	
CMAX-10-M	PISTOLA AUTOMÁTICA COMPACT-X CONV. 1.0 MM C/COLECTOR, SIN CASQUILLO DE AIRE
CMAX-14-M	PISTOLA AUTOMÁTICA COMPACT-X CONV. 1.4 MM C/COLECTOR, SIN CASQUILLO DE AIRE
CMAX-18-M	PISTOLA AUTOMÁTICA COMPACT-X CONV. 1.8 MM C/COLECTOR, SIN CASQUILLO DE AIRE
CMAX-22-M	PISTOLA AUTOMÁTICA COMPACT-X CONV. 2.2 MM C/COLECTOR, SIN CASQUILLO DE AIRE
CMAX-10-M-497	PISTOLA AUTOMÁTICA COMPACT-X CONV. 1.0 MM C/COLECTOR, 497 CASQUILLO DE AIRE INCLUIDO
CMAX-14-M-497	PISTOLA AUTOMÁTICA COMPACT-X CONV. 1.4 MM C/COLECTOR, 497 CASQUILLO DE AIRE INCLUIDO
CMAX-14PM	PISTOLA AUTOMÁTICA COMPACT-X CONV. 1.4 MM AGUJA PLÁSTICA C/COLECTOR, SIN CASQUILLO DE AIRE
CMAX-00-0	PISTOLA AUTOMÁTICA COMPACT-X CONV. SIN COLECTOR, MENOS BOQUILLA, AGUJA, CASQUILLO
<b>NOTA: El casquillo de aire se puede pedir por separado. Información para pedir el casquillo de aire en la página 22.</b>	
<b>PISTOLA AUTOMÁTICA COMPACT-X – KITS DE ADAPTADORES PARA MONTAJE Y ACCESORIOS DE MANGUERA:</b>	
SPK-111	MÁQUINAS CEFLA – KIT DE ADAPTADORES DE MONTAJE (PÁGINA 30)
6-531	MÁQUINAS CEFLA – KIT DE ACCESORIOS PARA AIRE Y FLUIDO (PÁGINA 30)
6-534	MÁQUINAS SUPERFICII – ACCESORIOS PARA AIRE Y FLUIDO (PÁGINA 29)
6-533	KIT DE ACCESORIOS DE FLUIDO/AIRE PARA CONEXIONES NPS (PÁGINA 31)

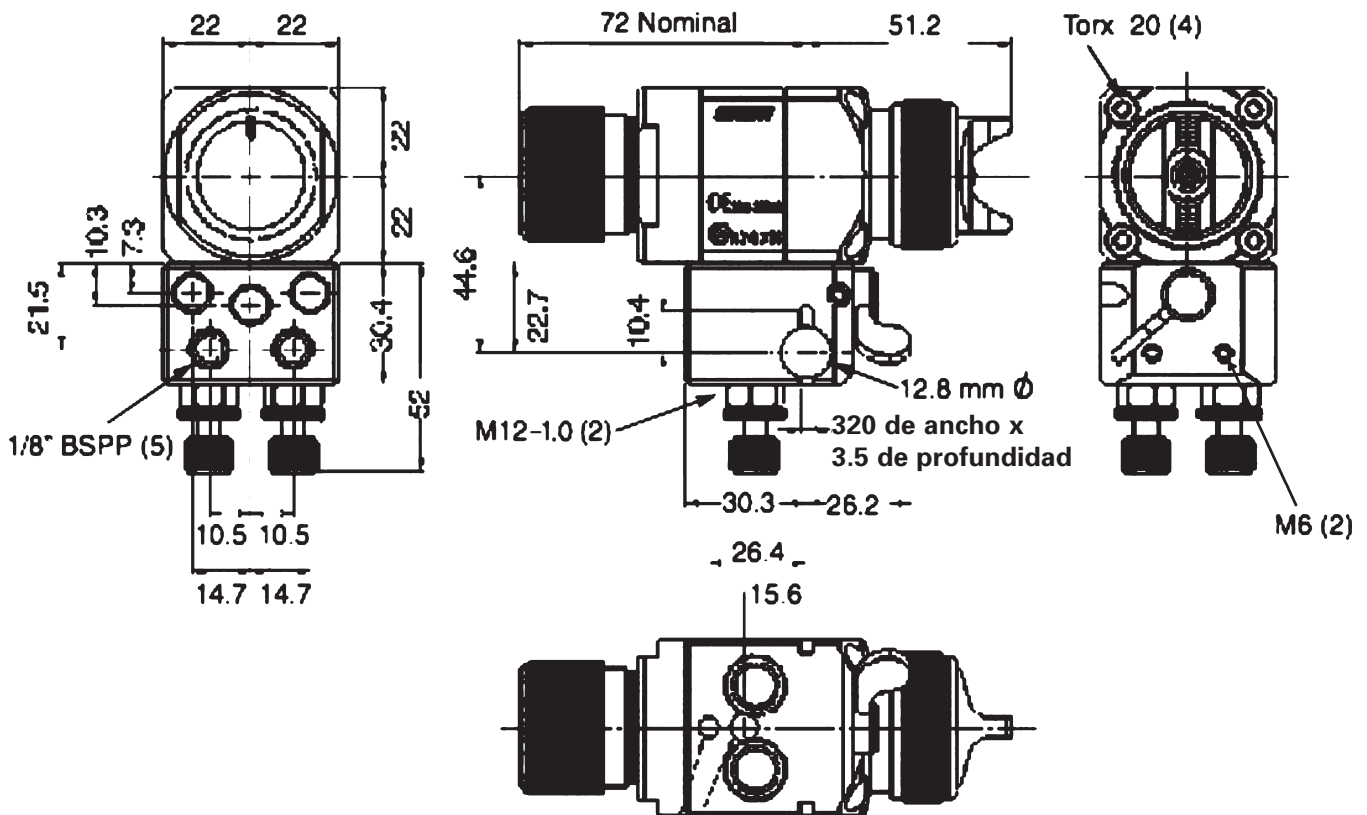
**VENTILADOR Y ATOMIZADOR NEUMÁTICO COMBINADOS  
(ENGANCHE ESTÁNDAR DE LA PISTOLA)**



**VENTILADOR Y ATOMIZADOR NEUMÁTICOS SEPARADOS  
(ENGANCHE OPCIONAL)**



**DIMENSIONES DE INSTALACIÓN para PISTOLA AUTOMÁTICA COMPACT "X"**

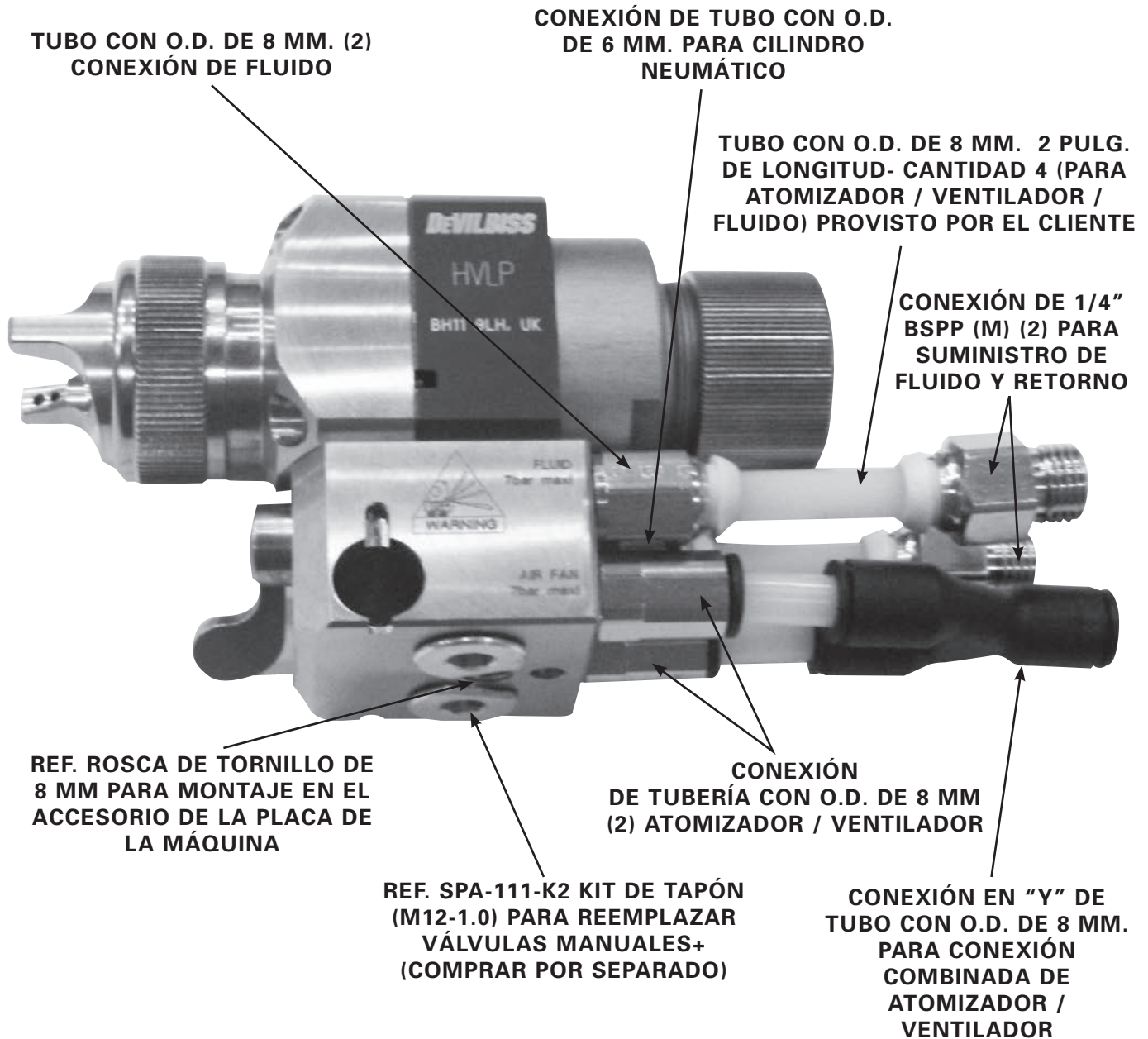


05 Orificio de Localización  
M8 X 1.25P X 7.5 de profundidad  
Para el montaje de la placa de la máquina / soporte

**DIMENSIONES EN MM.  
(MULTIPLICAR POR .03937 PARA OBTENER PULGADAS)**

**BSPP = BRITISH STRAIGHT PIPE PARALLEL (TUBO RECTO BRITÁNICO PARALELO)**

**6-534 KIT DE ACCESORIOS DE MÁQUINA SUPERFICI para PISTOLA AUTOMÁTICA COMPACT "X"**



**NOTAS:**

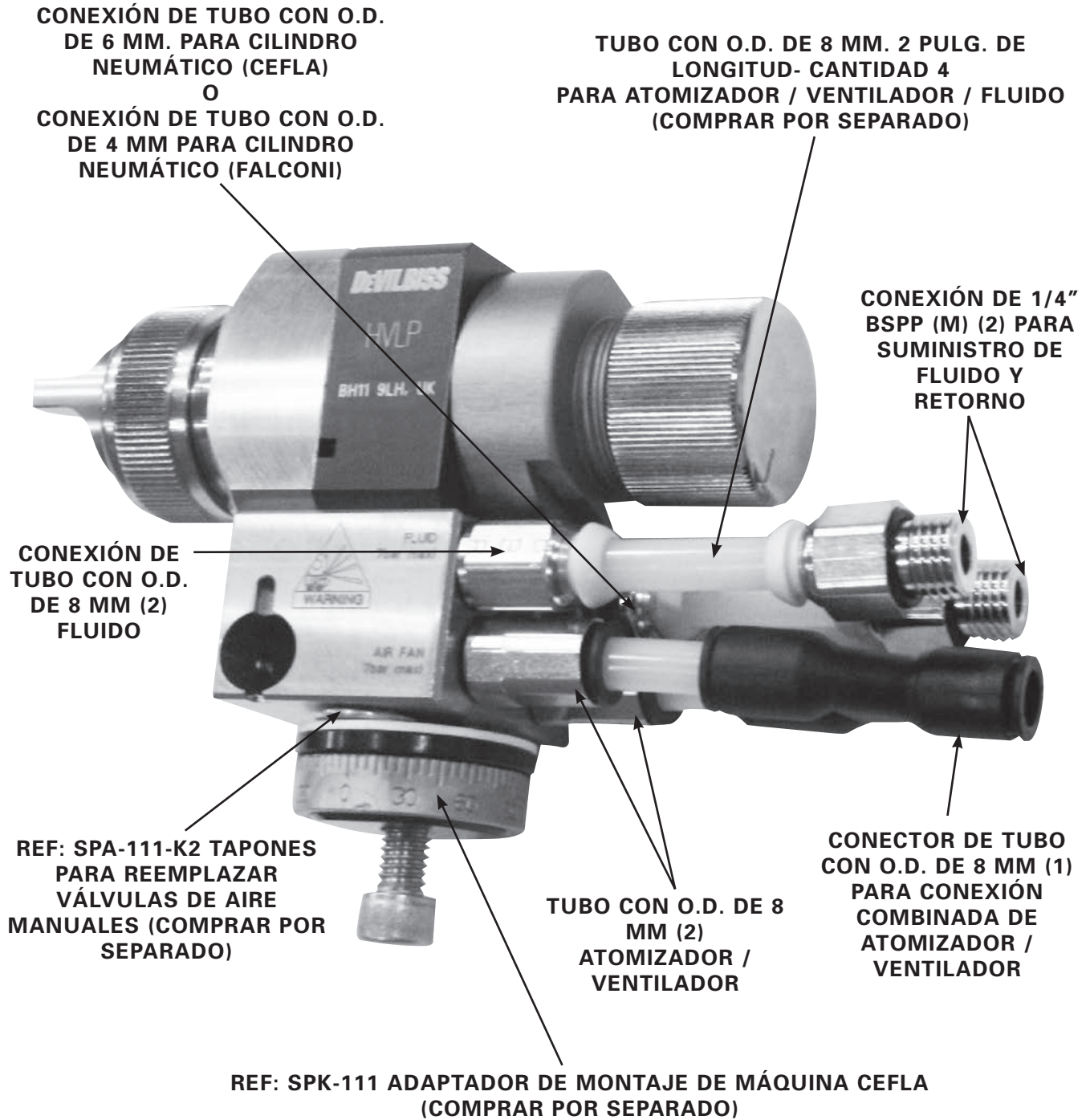
O.D. = Diámetro exterior (m) = conexión macho (h) = conexión hembra

**USE TAPÓN DE 1/8" BSPP (1) PARA PUERTO DE RETORNO DE FLUIDO CUANDO NO SE REQUIERA CIRCULACIÓN. (TAPÓN PROVISTO EN ESTE KIT)**

**NOTA: TODOS LOS PUERTOS DE AIRE Y PUERTOS DE FLUIDO PARA SON DE 1/8" BSPP (m) EN EL MANIFOLD**

**BSPP = BRITISH STRAIGHT PIPE PARALLEL (TUBO RECTO BRITÁNICO PARALELO)**

**6-531 KIT DE ACCESORIOS DE MÁQUINA CEFLA para PISTOLA AUTOMÁTICA COMPACT "X"**



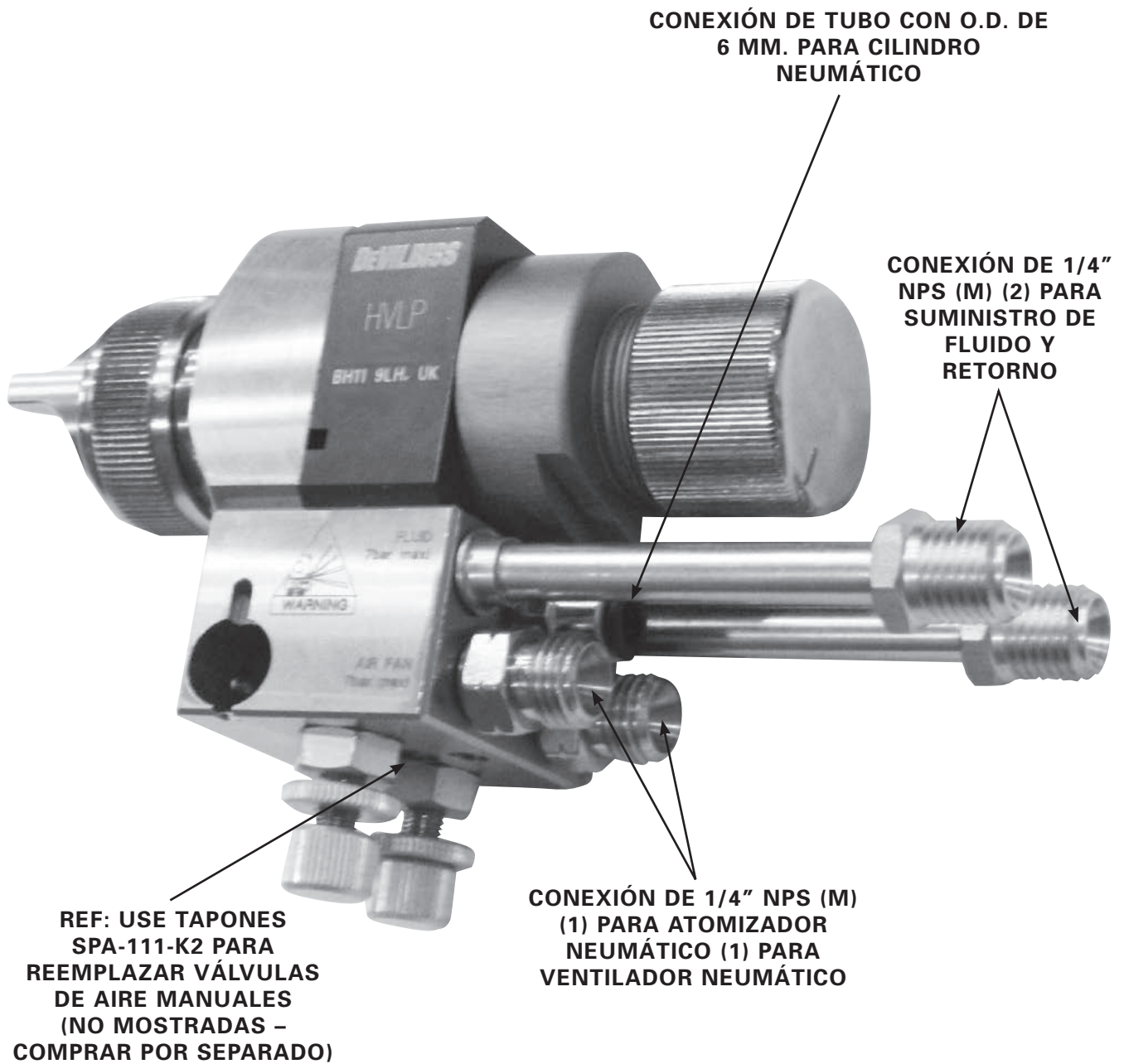
**NOTAS:**

O.D. = Diámetro exterior (m) = conexión macho (h) = conexión hembra

**NOTA: TODOS LOS PUERTOS DE AIRE Y PUERTOS DE FLUIDO PARA SON DE 1/8" BSPP (m) EN EL MANIFOLD**

BSPP = BRITISH STRAIGHT PIPE PARALLEL (TUBO RECTO BRITÁNICO PARALELO)

**6-533 KIT DE ACCESORIOS CON 1/4" NPS (m) para PISTOLA AUTOMÁTICA COMPACT "X"**



**NOTAS:**

O.D. = Diámetro exterior (m) = conexión macho (h) = conexión hembra

**NOTA: TODOS LOS PUERTOS DE AIRE Y PUERTOS DE FLUIDO PARA SON DE 1/8" BSPP (m) EN EL MANIFOLD**

**BSPP = BRITISH STRAIGHT PIPE PARALLEL (TUBO RECTO BRITÁNICO PARALELO)**

#### **GARANTÍA**

Este producto está cubierto por la garantía limitada de un año de DeVilbiss.

---

**Centros de venta y servicios de DeVilbiss: [www.devilbiss.com](http://www.devilbiss.com)**

---

**DEVILBISS**

Servicio al cliente para EE.UU / Canadá  
195 Internationale Blvd.  
Glendale Heights, IL 60139  
630-237-5000

Teléfono gratuito de servicio al cliente  
y servicio técnico  
800-992-4657  
Fax gratuito  
888-246-5732