

HAR-535 AND *HAR-555 AIR REGULATORS

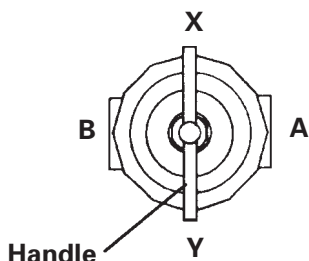
DESCRIPTION

HAR Regulators provide regulation of air pressure from the incoming air supply to the point of use. See Figure 1 for port information.

SPECIFICATIONS

Regulated Pressure Range	0-125 psi
Maximum Input Pressure	250 psi
Capacity	40 scfm
Maximum Operating Temperature	120°F

Figure 1



	HAR-502	HAR-505	HAR-535	HAR-555
Locations				
Inlet	A	A	A	A
Outlet Main Line Regulated	B X, Y	— B, X, Y	X B, Y•	X, Y A B
Thread Sizes				
1/4 NPT(F)	A, B, X, Y	A, B, X, Y	X, Y	X, Y
3/8 NPT(F)			A, B	A
1/2 NPT(F)				B

•This "Y" port has restricted flow for gauge use only.

INSTALLATION



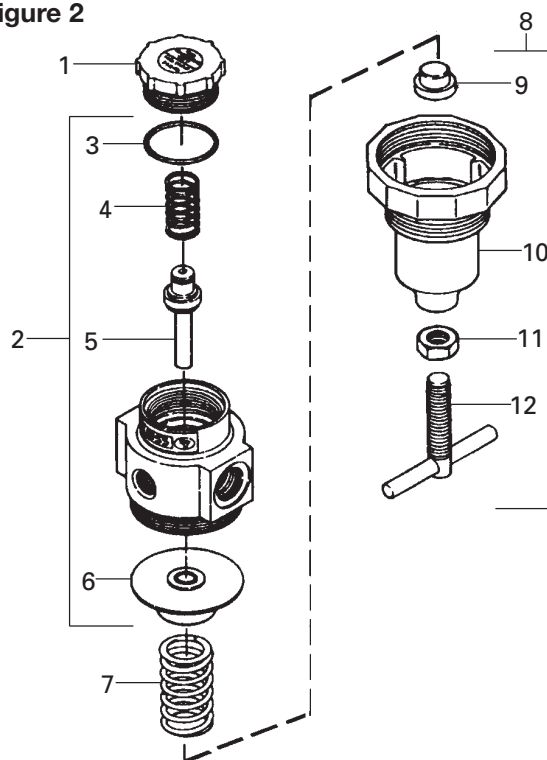
To avoid a blast of air when installing or removing regulator, always turn off air supply and bleed off air in the tank by turning the air relief valve thumb screw counterclockwise. Wait until all the air has escaped before removing regulator.

Before installing, blow out pipe line to remove scale and other foreign matter. This unit has dry seal pipe threads; use pipe compound or tape sparingly on male threads only. Install regulator so that air will flow in direction of arrow stamped on body; install as near as possible to equipment serviced.

PARTS LIST

Ref. No.	Replace-ment Part No.	Description	Ind Parts Req.
1	KK-4940	Cap	1
2	KK-4139-3	Repair Kit	1
3	—	O-Ring	
4	—	Spring	1
5	—	Disc. Stem Assembly	
6	—	Diaphragm Assembly	
7	—	Spring	1
8	KK-4138	Spring Cage and Handle Kit	1
9	—	Spring Depressor	1
10	—	Spring Cage	
11	—	Lock Nut	
12	—	Handle	

Figure 2



*Government NSN No. 4410-00-430-4158 = HAR-555

OPERATION

To change adjustment, loosen lock nut (11). Turn handle (12) clockwise to increase the regulated pressure and counterclockwise to lower pressure. This is a relieving-type regulator; therefore, the reduced pressure follows adjustment of the handle.

To lock adjustment, screw the lock nut (11) down until it stops against the spring cage. Tighten lock nut (11) with a wrench.

PARTS REPLACEMENT

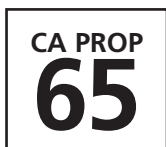
Refer to the PARTS LIST for numbers that contain the desired replacement parts. Replacement parts are sold only through kits. Use the kit part number and description when ordering replacement parts.

PREVENTIVE MAINTENANCE



To avoid a blast of air when installing or removing regulator, always turn off air supply and bleed off air in the tank by turning the air relief valve thumb screw counterclockwise. Wait until all the air has escaped before removing regulator.

If the air supply is kept clean, the regulator should provide long periods of uninterrupted service. Erratic regulator operation or loss of regulation is normally due to dirt in the disc area.



PROP 65 WARNING
 WARNING: This product contains chemicals known to the State of California to cause cancer and birth defects or other reproductive harm.

Cleaning:

Note

To clean, it is not necessary to remove regulator from line. Refer to Figure 2 as a guide in reassembly.



Never use carbon tetrachloride, trichloroethylene, thinner, acetone or similar solvents in cleaning parts.

To clean, depressurize regulator and disassemble. Clean parts with denatured alcohol and blow out body with compressed air.

When reassembling, make sure the disc stem (5) fits into the center hole of the diaphragm assembly (6). Tighten spring cage (10) slightly more than handtight to 45 in. lbs. torque.

ACCESSORY ITEMS

Gauges

Part No.	Pressure Range (psi)	Thread Size
GA-73	0-30	1/4" NPT(M)
GA-288	0-160	1/4" NPT(M)
83-2727	0-100	1/4" NPT(M)



H-2008 Hex Nipple, 1/4" NPT(M) x 1/4" NPS(M) - Used at inlet/outlet connections for convenient hook-up.



NOTES

WARRANTY POLICY

DeVilbiss products are covered by Finishing Brands one year materials and workmanship limited warranty. The use of any parts or accessories, from a source other than Finishing Brands, will void all warranties. For specific warranty information please contact the closest Finishing Brands location listed below.

Finishing Brands reserves the right to modify equipment specifications without prior notice. DeVilbiss, Ransburg, BGK, and Binks are registered trademarks of Finishing Brands. ©2014 Finishing Brands. All rights reserved.


DEVILBISS

DeVilbiss is part of Finishing Brands, a global leader in innovative spray finishing technologies. For technical assistance or to locate an authorized distributor, contact one of our international sales and customer support locations below.

USA/Canada

www.devilbiss.com
info@finishingbrands.com
Tel: 1-800-992-4657
Fax: 1-888-246-5732

Mexico

www.finishingbrands.com.mx
sales@finishingbrands.com.mx
Tel: 011 52 55 5321 2300
Fax: 011 52 55 5310 4790

Brazil

www.devilbiss.com.br
sales@devilbiss.com.br
Tel: +55 11 5641 2776
Fax: 55 11 5641 1256

United Kingdom

www.finishingbrands.eu
info@finishingbrands.eu
Tel: +44 (0)1202 571 111
Fax: +44 (0)1202 573 488

France

www.finishingbrands.eu
info@finishingbrands.eu
Tel: +33(0)475 75 27 00
Fax: +33(0)475 75 27 59

Germany

www.finishingbrands.eu
info@finishingbrands.eu
Tel: +49 (0) 6074 403 1
Fax: +49 (0) 6074 403 281

China

www.finishingbrands.com.cn
mkt@finishingbrands.com.cn
Tel: +8621-3373 0108
Fax: +8621-3373 0308

Japan

www.ransburg.co.jp
binks-devilbiss@ransburg.co.jp
Tel: 081 45 785 6421
Fax: 081 45 785 6517

Australia

www.finishingbrands.com.au
sales@finishingbrands.com.au
Tel: +61 (0) 2 8525 7555
Fax: +61 (0) 2 8525 7500


DEVILBISS

Ransburg

BGK

BINKS

Finishing Brands