



Instruction Manual

MX6805PU-SMX Pump

MX6812PU-SMX Pump

MX6833PU-SMX Pump



**BINKS****Product Description**Pumps - Maple, MX, MMX, A260, A320,
220, 440, 880, DVP**This Product is designed for use with:**

Solvent and Water based Materials

Suitable for use in hazardous area:

Zone 1 & 2

Protection Level:

II 2 G X

Manufacturer:Binks,
Justus-von-Liebig - Strasse,
63128 Dietzenbach. DE**EU Declaration of Conformity****We: Binks declare that the above product conforms with the Provisions of:**Machinery Directive 2006/42/EC
ATEX Directive 94/9/EC**by complying with the following statutory documents and harmonized standards:**EN ISO 12100: Safety of Machinery - General Principles for Design
EN ISO 4413: Hydraulic Fluid Power - General Rules and safety requirements
EN ISO 4414: Pneumatic Fluid Power - General Rules and safety requirements
EN 12621: Machinery for the supply and circulation of coating materials under pressure - Safety requirements
EN1127-1: Explosive atmospheres - Explosion prevention - Basic concepts
EN 13463-1: Non electrical equipment for use in potentially explosive atmospheres - Basic methods and requirements
EN 13463-5: Non electrical equipment for use in potentially explosive atmospheres - Protection by constructional safety

Providing all conditions of safe use stated within the product manuals have been complied with and that the final equipment into which this product is installed has been re-assessed as required, in accordance with essential health and safety requirements of the above standards, directives and statutory instruments and also installed in accordance with any applicable local codes of practice.

D Smith (General Manager)
01 November 2012

Specification	
Feature	Unit
Flow at 60 cycles/min	1.08 US Gal. /min. 4.08 Litres/min.
Flow per cycle	0.018 US Gallons 0.068 Litres
Recommended intermittent cycle rate	20 cycles/min
Pump Stroke	3" 75 mm
Ratio – MX6805PU-SMX MX6812PU-SMX MX6833PU-SMX	5:1 12:1 33:1
Maximum Fluid Pressure	3830 PSI 265 BAR
Fluid Inlet	Ram – Chop Check
Fluid Outlet	½" NPT (f)
Weight – MX6805PU-SMX MX6812PU-SMX MX6833PU-SMX	15 KG / 33 Lbs 15 KG / 33 Lbs 18 KG / 39.6 Lbs
Rod Upper Packing Seal	PTFE + UHMWPE
Rod Lower Packing Seal	PTFE + UHMWPE
Air Inlet	Ø12 Hose Female
Air Quality ISO 8573.1 Class 3.3.2	Dirt 5 microns Water -20°C@7bar (0.1g/m³) Oil 0.1mg/m³

 **WARNING**

Directions for Working Safety

This Product has been constructed according to advanced technological standards and is operationally reliable. Damage may, however, result if it is used incorrectly by untrained persons or used for purposes other than those for which it was constructed.

The locally current regulations for safety and prevention of accidents are valid for the operation of this product under all circumstances.

International, national and company safety regulations are to be observed for the installation and operation of this product, as well as the procedures involved in maintenance, repairs and cleaning.

These instructions are intended to be read, understood and observed in all points by those responsible for this product. These operating and maintenance instructions are intended to ensure trouble free operation. Therefore, it is recommended to read these instructions carefully before start-up. Binks PCE cannot be held responsible for damage or malfunctions resulting from the non-observance of the operating instructions. These instructions including regulations and technical drawings may not be copied, distributed, used for commercial purposes or given to others either in full or in part without the consent of Binks PCE.

We reserve the right to alter drawings and specifications necessary for the technical improvement of this product without notice.



Equipment Misuse Hazard

Equipment misuse can cause the equipment to rupture or malfunction and result in serious injury.

- This equipment is for professional use only.
- Read all instruction manuals, tags, and labels before operating the equipment.
- Use the equipment only for its intended purpose.
- Do not alter or modify this equipment. Use only genuine Binks PCE parts and accessories.
- Check equipment daily. Repair or replace worn or damaged parts immediately.
- Do not exceed the maximum working pressure stated on the equipment or in the Technical Data for your equipment. Do not exceed the maximum working pressure of the lowest rated component in your system.
- Use fluids and solvents which are compatible with the equipment wetted parts. Refer to the Technical Data section of all equipment manuals. Read the fluid and solvent manufacturer's warnings.
- Route hoses away from traffic areas, sharp edges, moving parts, and hot surfaces. Do not expose hoses to temperatures above 82°C (180°F) or below -40°C (-40°F).
- Do not lift pressurized equipment.
- Comply with all applicable local, state, and national fire, electrical, and safety regulations.



Fire, Explosion and Electric Shock Hazard

Improper grounding, poor ventilation, open flames or sparks can cause a hazardous condition and result in a fire, explosion, or electric shock.

When installed and operated in accordance with its instructions, the pump is approved for operation in Zone 1 (Europe) & Division 1 (North America), hazardous locations. (ATEX Cat 2)

- Electrical equipment must be installed, operated, and serviced only by trained, qualified personnel who fully understand the requirements stated in this instruction manual.
- Ground the equipment and all other electrically conductive objects in the spray area. After grounding test with ohmmeter to ensure earth continuity is 1 ohm or less.
- Keep all covers tight while the motor is energized.
- If there is any static sparking or you feel an electric shock while using this equipment, stop spraying/dispensing immediately. Do not use the equipment until you identify and correct the problem.
- Provide fresh air ventilation to avoid the build up of flammable fumes from solvents or the fluid being pumped.
- Keep the pumping area free of debris, including solvent, rags, and gasoline.
- Electrically disconnect all equipment in the pumping area.
- Extinguish all open flames or pilot lights in the spray/dispense area.
- Do not smoke in the spray/dispense area.
- Do not turn on or off any light switch in the spray/dispense area while operating or if fumes are present.





WARNING



READ THE MANUAL

Before operating equipment, read and understand all safety, operation and maintenance information provided in the operation manual.



DE-ENERGIZE, DEPRESSURIZE, DISCONNECT AND LOCK OUT ALL POWER SOURCES DURING MAINTENANCE

Failure to De-energize, disconnect and lock out all power supplies before performing equipment maintenance could cause serious injury or death.



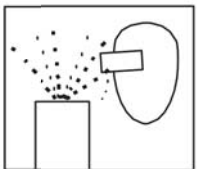
OPERATOR TRAINING

All personnel must be trained before operating equipment.



KEEP EQUIPMENT GUARDS IN PLACE

Do not operate the equipment if the safety devices have been removed.



PROJECTILE HAZARD

You may be injured by venting liquids or gases that are released under pressure, or flying debris.



PINCH POINT HAZARD

Moving parts can crush and cut. Pinch points are basically any areas where there are moving parts.



MAGNETIC FIELD PRESENT

You may be subjected to magnetic fields which may interfere with the operation of certain pacemakers.



WEAR SAFETY GLASSES

Failure to wear safety glasses with side shields could result in serious eye injury or blindness.



NOISE HAZARD

You may be injured by loud noise. Hearing protection may be required when using this equipment.



KNOW WHERE AND HOW TO SHUT OFF THE EQUIPMENT IN CASE OF AN EMERGENCY



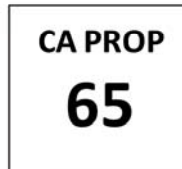
HIGH PRESSURE CONSIDERATION

High pressure can cause serious injury. Relieve all pressure before servicing. Hose leaks, or ruptured components can inject fluid into your body and cause extremely serious injury.



AUTOMATIC EQUIPMENT

Automatic equipment may start suddenly without warning.



PROP 65 WARNING

WARNING: This product contains chemicals known to the State of California to cause cancer and birth defects or other reproductive harm.

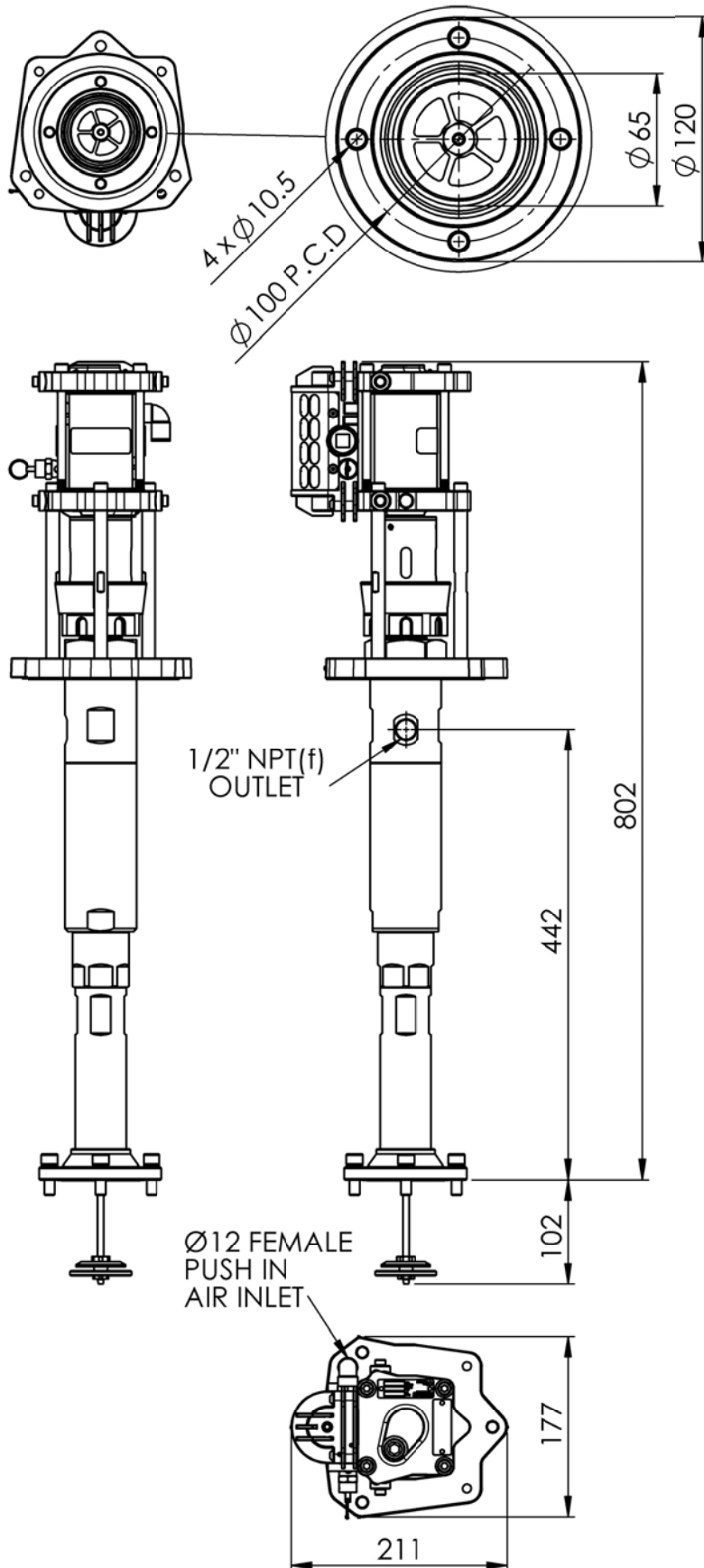


MAGNET HAZARD

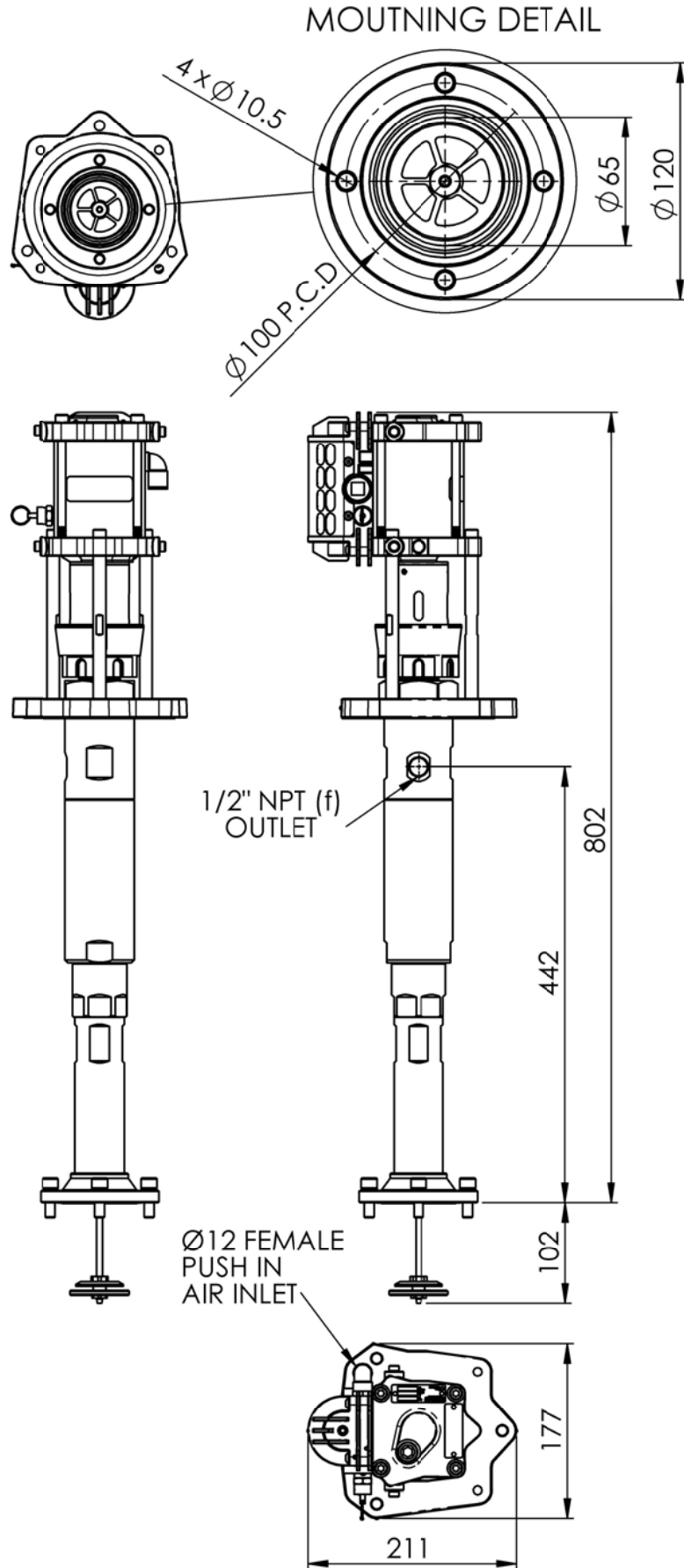
Take care when handling magnets. Avoid getting magnets in close proximity of each other. Injury or damage to magnets may result.

MX6805PU-SMX Overall Dimensions

MOUNTING DETAIL

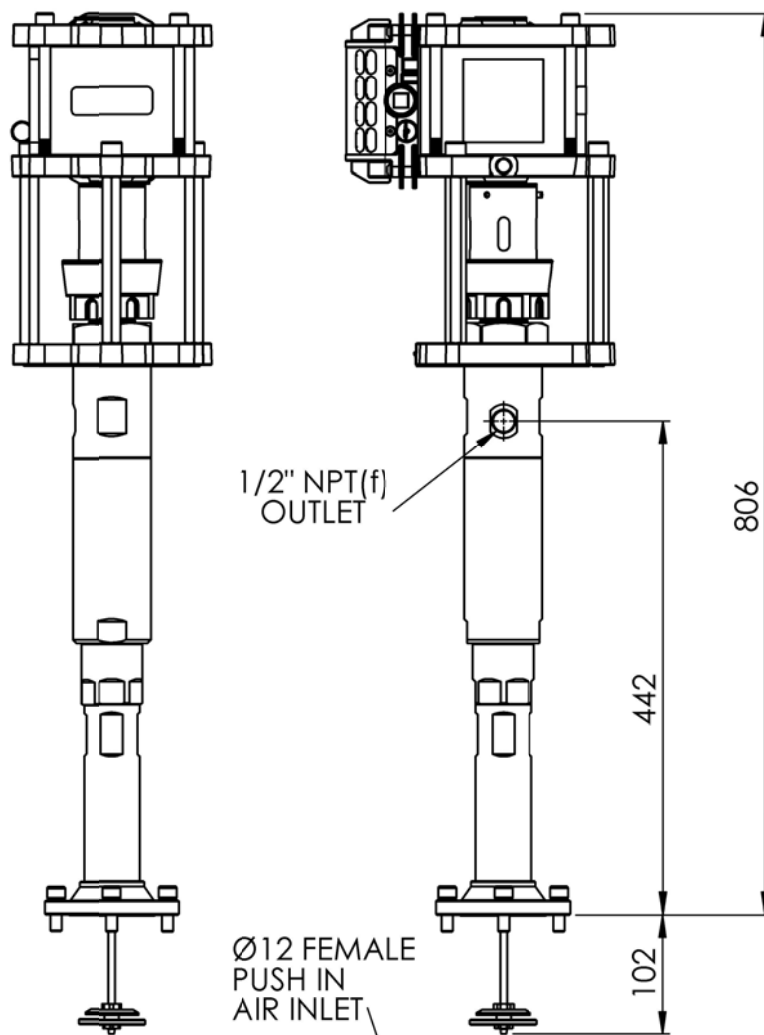
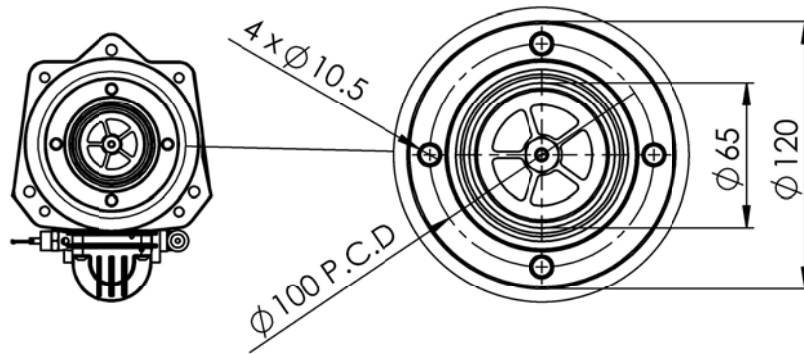


MX6812PU-SMX Overall Dimensions



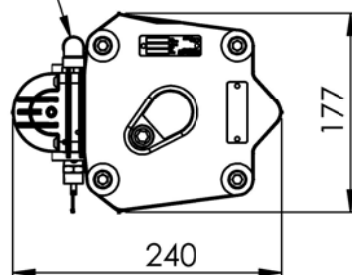
MX6833PU-SMX Overall Dimensions

MOUNTING DETAIL



1/2" NPT(f)
OUTLET

Ø12 FEMALE
PUSH IN
AIR INLET



General Description

The MX68xxPU-SMX fluid paint pump is designed for pumping High Viscosity materials such as Mastic, PVC, Underseals, Sound deadeners and other similar materials.

The fluid section is a 'ROD' type design which means the rod displaces the material and is the only wear contact with the packings. A ball check valve system in the rod and a chop check inlet valve system ensure a precise, smooth volume output. Tungsten Carbide ball seats ensure maximum operating life between servicing.

The interior design maintains high flow capacity with minimum pressure drop ensuring high efficiency; special surface treatments provide a smooth micro surface making cleaning and flushing easier.

The piston and rod seals are the chevron type, which can be adjusted by means of a gland nut, should wear occur, a preloaded wave spring is employed to adjust and maintain the lower chevron packing preload when wear occurs. A built in Solvent cup cleans and lubricates the pump rod and seals to prolong working life.

The air motor also utilises the Binks quick exhaust technology to prevent air valve freezing conditions when high cycle speeds are employed.

The air motor is furnished with an exhaust muffler to control air exhaust noise emission. An adapter kit is also available to facilitate connection to a piped exhaust system if required.

Installation

This pump should be flushed with a suitable compatible solvent prior to use.

It is recommended that a propriety 1/2" BSP Filter / Regulator is used to provide final control of the compressed air to the air motor.

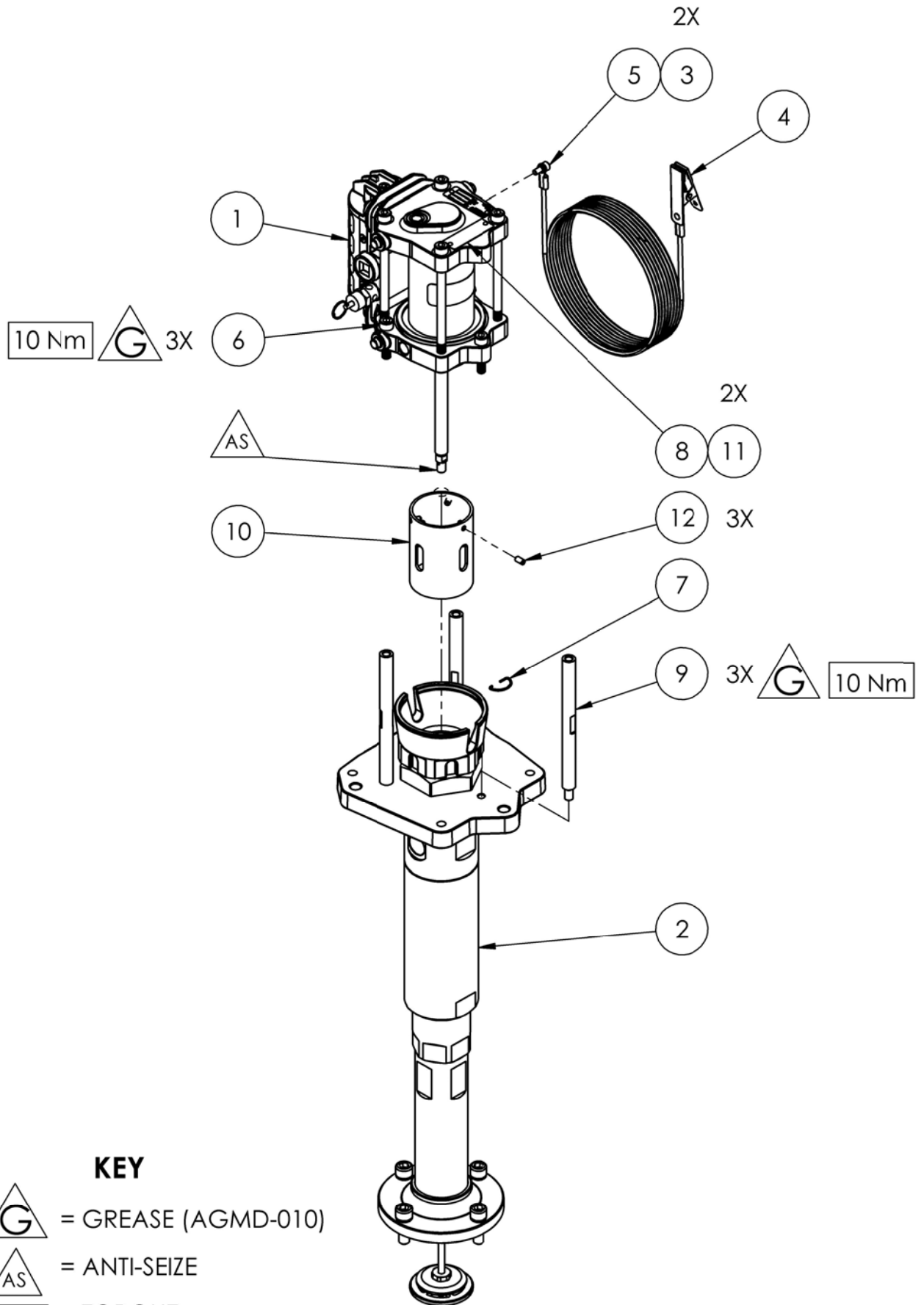
Mount the pump securely and position the pump at a convenient height to allow for maintenance, visual observation, and periodic inspection.

The Pump Assembly must be connected to a suitable earth ground to ensure that there is no possibility of static build up.

Attach suitable pipework or flexible hoses designed to meet the working pressure of the pump assembly (dependent on pump ratio) to the outlet connection, e.g. 1/2" Outlet.

Set the pump speed to a slow cycle rate and start the pump to remove any air from the fluid circuit. Inspect for any air or fluid leaks.

MX6805PU-SMX Pump Assembly



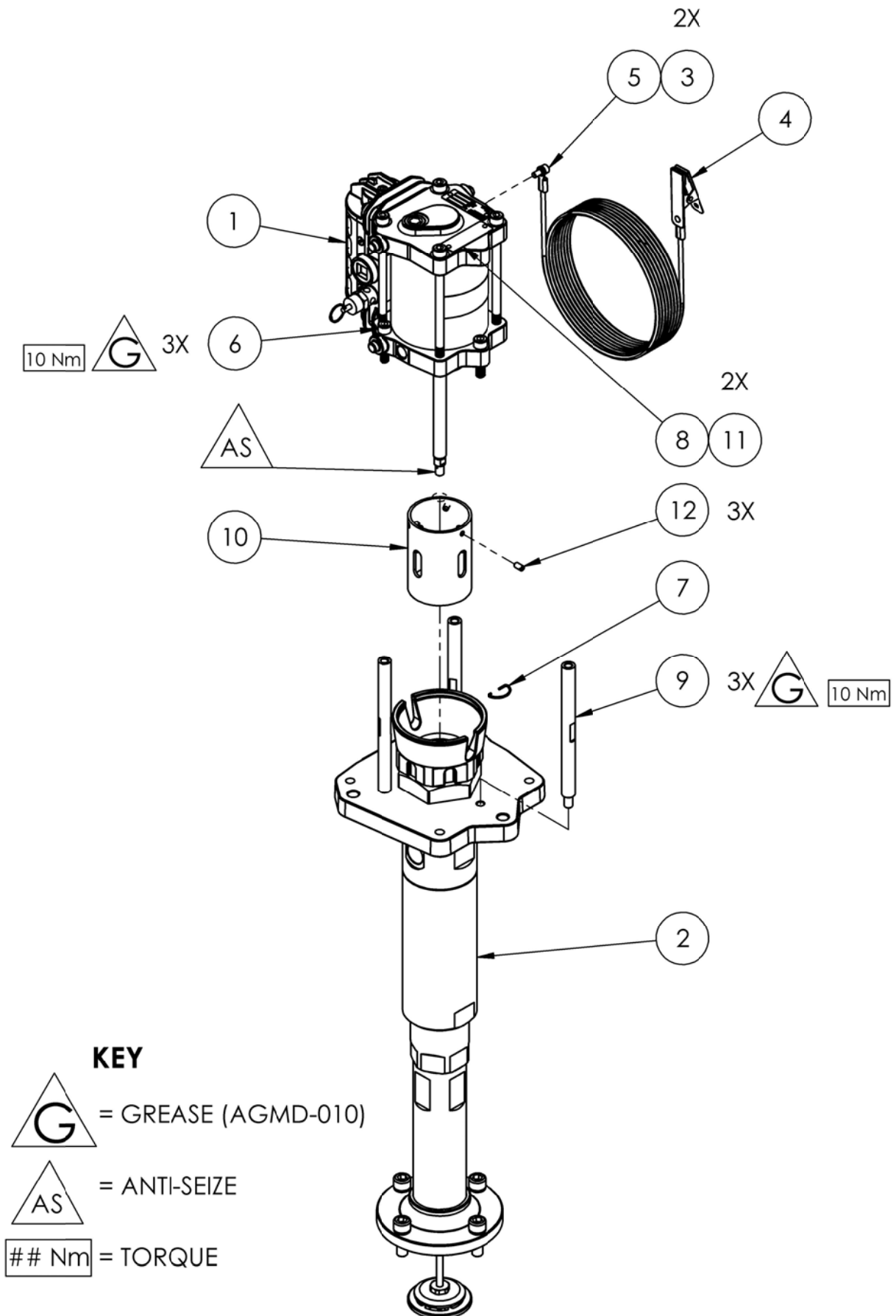
KEY

- G** = GREASE (AGMD-010)
- AS** = ANTI-SEIZE
- ## Nm** = TORQUE

Parts List – ‘MX6805PU-SMX Pump Assembly’				
ITEM	PART No	DESCRIPTION	QTY	REMARKS
1	AX55S	AX55S AIR MOTOR (8 BAR)	1	
2	FX68PU-SMX	FX68PU-SMX FLUID SECTION	1	
3	0114-009743	SPRING LOCK WASHER	2	
4	0114-011798	GROUNDING CABLE 4M	1	
5	0114-014179	SOCKET HEAD CAP SCREW	1	
6	0115-010001	M8 X 35 SHCS	3	
7	0115-010113	LOCKING CLIP	1	
8	0115-010643	NAMEPLATE MX PUMP	1	
9	0115-010646	TIE ROD	3	
10	0115-010655	GUARD	1	
11	164838	No 2 x 4.75 RIVET	2	
12	166001	SLOTTED SET SCREW	3	
13	0114-016099	PACKING LUBE (SOLVENT BORNE)	1	NOT SHOWN
14	0114-016100	PACKING LUBE (WATER BORNE)	1	NOT SHOWN

MX6805PU-SMX - Replacement Spares Kits			
No.	Part No.	Description	Remarks
1	0115-010214	Air Motor Repair Kit	See Air Motor Manual
2	0115-010226	Air Motor Valve Repair Kit	
3	0115-010216	Air Motor Seal Kit	
4	0115-010213	Hardware Kit	
5	250717	Fluid Section Seal Kit	All O-rings All Packings All Seals
Check Main Parts List in Air Motor & Fluid Section Manuals for details of individual Kit Contents			

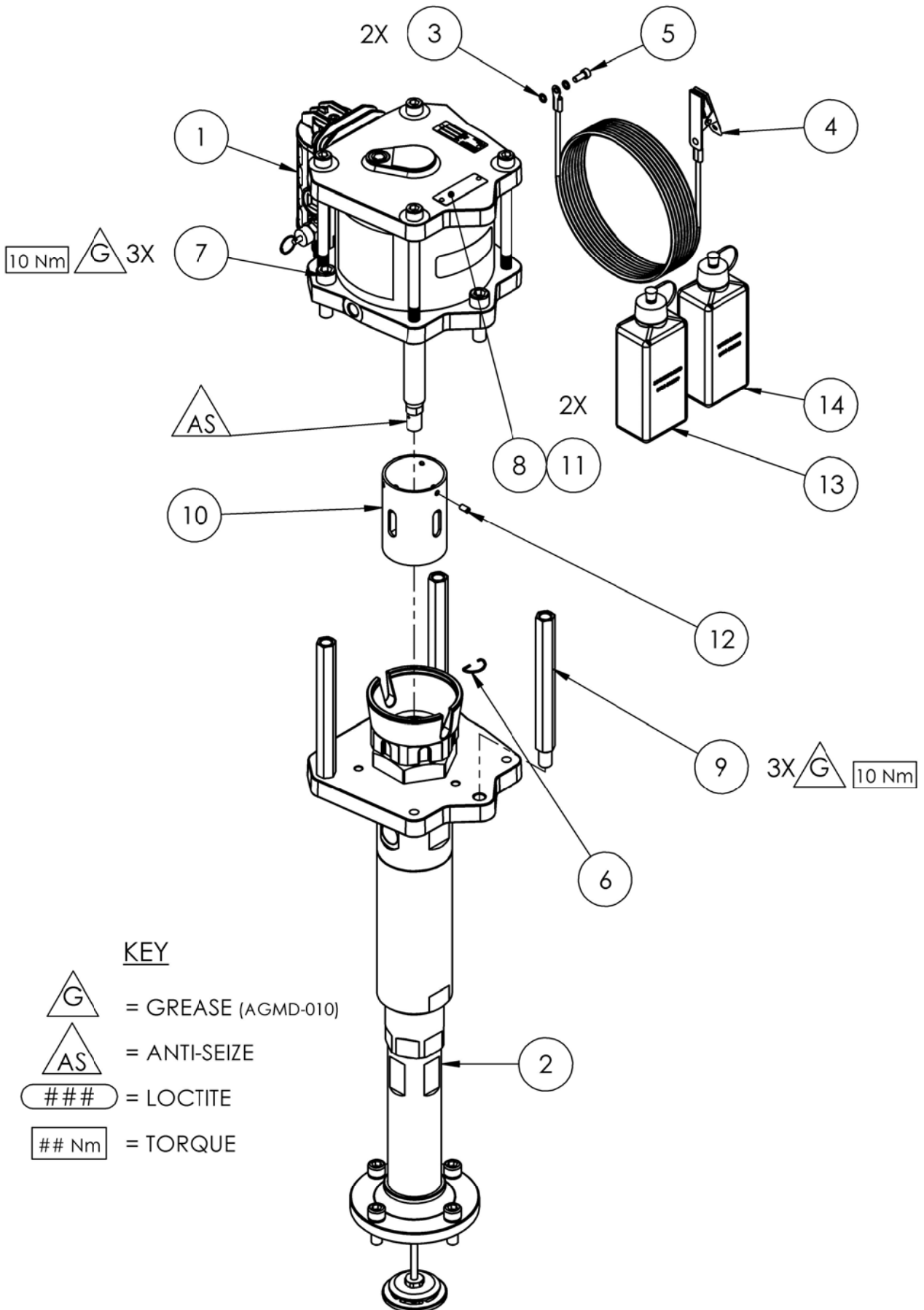
MX6812PU-SMX Pump Assembly



Parts List – ‘MX6812PU-SMX Pump Assembly’				
ITEM	PART No	DESCRIPTION	QTY	REMARKS
1	AX85S	AX85S AIR MOTOR (8 BAR)	1	
2	FX68PU-SMX	FX68PU-SMX FLUID SECTION	1	
3	0114-009743	SPRING LOCK WASHER	2	
4	0114-011798	GROUNDING CABLE 4M	1	
5	0114-014179	SOCKET HEAD CAP SCREW	1	
6	0115-010001	M8 X 35 SHCS	3	
7	0115-010113	LOCKING CLIP	1	
8	0115-010643	NAMEPLATE MX PUMP	1	
9	0115-010646	TIE ROD	3	
10	0115-010655	GUARD	1	
11	164838	No 2 x 4.75 RIVET	2	
12	166001	SLOTTED SET SCREW	3	
13	0114-016099	PACKING LUBE (SOLVENT BORNE)	1	NOT SHOWN
14	0114-016100	PACKING LUBE (WATER BORNE)	1	NOT SHOWN

MX6812PU-SMX - Replacement Spares Kits			
No.	Part No.	Description	Remarks
1	0115-010215	Air Motor Repair Kit	See Air Motor Manual
2	0115-010226	Air Motor Valve Repair Kit	
3	0115-010217	Air Motor Seal Kit	
4	0115-010213	Hardware Kit	
5	250717	Fluid Section Seal Kit	All O-rings All Packings All Seals
Check Main Parts List in Air Motor & Fluid Section Manuals for details of individual Kit Contents			

MX6833PU-SMX Pump Assembly



Parts List – ‘MX6833PU-SMX Pump Assembly’				
ITEM	PART No	DESCRIPTION	QTY	REMARKS
1	AX140S	AX140S AIR MOTOR (8 BAR)	1	
2	FX68PU-SMX	FX68PU-SMX FLUID SECTION	1	
3	0114-009743	SPRING LOCK WASHER	2	
4	0114-011798	GROUNDING CABLE 4M	1	
5	0114-014179	SOCKET HEAD CAP SCREW	1	
6	0115-010113	LOCKING CLIP	1	
7	0115-010114	M12 x 40 SHCS	3	
8	0115-010643	NAMEPLATE MX PUMP	1	
9	0115-010648	FX12 TIE ROD	3	
10	0115-010655	GUARD	1	
11	164838	No 2 x 4.75 RIVET	2	
12	166001	SLOTTED SET SCREW	3	
13	0114-016099	PUMP LUBE-SOLVENTBASED	1	
14	0114-016100	PUMP LUBE-WATERBASED	1	

MX6833PU-SMX - Replacement Spares Kits			
No.	Part No.	Description	Remarks
1	0115-010301	Air Motor Repair Kit	See Air Motor Manual
2	0115-010226	Air Motor Valve Repair Kit	
3	0115-010302	Air Motor Seal Kit	
4	0115-010300	Hardware Kit	
5	250717	Fluid Section Seal Kit	All O-rings All Packings All Seals
Check Main Parts List in Air Motor & Fluid Section Manuals for details of individual Kit Contents			

Pump Accessories		
PART No	DESCRIPTION	REMARKS
MXA-C13ALM5-H34	Air Control Including Hose	Air Filter Regulator (0.5m Hose)
AGMD-010	Kluber Isoflex Topas NB 52 (Grease type #)	50 ml Tube

Preventative Maintenance
<p>Check daily to ensure that there is the correct type of lubricant material present in the solvent cup; this should be compatible with the material being pumped. Confirmation from the material supplier should be sought to ensure compatibility to prevent the risk of contamination.</p> <p>Check daily for excessive material leaks into the solvent cup</p> <p>A universal lubricant is available - Wet Sol 'Plus' Binks Part Number 863009</p>

Fault Finding		
Symptom	Possible Cause	Remedy
Motor will not run	<ul style="list-style-type: none"> a. No Air supply b. Air piston seal worn. c. Pilot valve assemblies inoperable. d. Main air valve inoperable e. QE valve defective 	<ul style="list-style-type: none"> a. Check air and fluid supply ball valves and supply hoses. b. Replace Piston seal c. Switch/interchange pilot valves to isolate faulty pilot valve and clean/replace. d. Check clean/replace Air valve. e. Check for constant exhaust air when pump is not in a stalled condition. Check/replace QE cups
Pump runs but has excessive pulsation	<ul style="list-style-type: none"> a. Worn piston seal. b. Worn/failed shaft seals. c. Damaged Exhaust Valve d. Damaged Pilot Valve e. Air exhaust restricted. 	<ul style="list-style-type: none"> a. Replace seal b. Replace shaft bearing / seal housing. c. Inspect / clean and replace as required d. Inspect / clean and replace as required e. Inspect / clean and replace as required
Leak from rod seal packings	Seal wear or damage to packing material	Stop the pump and relieve all material pressure. Tighten the gland nut until the resistance of the packings clamping the shaft can be felt. Do not over-tighten. Ensure solvent cup has the correct lubricant for the material being pumped present at all times.
	Damaged rod	Replace
Low material flowrate, pump running fast or will not stall (stalling - 1 stroke should not occur in less than 30 seconds)	Contaminates trapped between ball and seat	Strip and clean pump. Check for damage
	Worn or damaged balls/seats	Check for wear; replace balls and / or seats.
	Worn bottom rod seals	Replace
Air entering system	Loose joint on suction side	Check and reseal fittings



Justus-von-Liebig-Straße 31, 63128 Dietzenbach. DE
Tel. +49 (0) 6074 403 1 Fax. +49 (0) 607 403 300
General e-mail: info@finishingbrands.eu

Ringwood Road, Bournemouth, Dorset BH11 9LH. UK
Tel. +44 (0)1202 571 111 Fax. +44 (0)1202 573 488
General e-mail: info@finishingbrands.eu

163-171, Av. des Auréats, 26014 Valence cedex. FR
Téléphone : +33 (0) 4 75 75 27 53 Télécopie: +33 (0) 4 75 75 27 79
General e-mail: info@finishingbrands.eu

USA Canada Customer Service

195 Internationale Blvd.
Glendale Height, IL 60139
630-237-5000

Toll Free Customer Service and
Technical Support 800-992-4657
Toll Free Facsimile 800-246-5732