



# MX3042 AND MX3536 PUMP ASSEMBLIES



| SPECIFICATIONS                               |                            |                    |
|--|----------------------------|--------------------|
|  | MX3042                     | MX3536             |
| Ratio:                                       | 42:1                       | 36:1               |
| Maximum air inlet pressure:                  | 101.5 psi [7 bar]          | 116 psi [8 bar]    |
| Maximum fluid pressure:                      | 4263 psi [294 bar]         | 4176 psi [288 bar] |
| Displacement per cycle:                      | 6.4 oz. [190 CC]           | 7.4 oz. [220 CC]   |
| Theoretical Output @ 60 cycles/min:          | 3.0 gpm [11.4 l/m]         | 3.5 gpm [13.2 l/m] |
| Maximum recommended continuous cycle rate:   | 20 cycles/min [40 strokes] |                    |
| Maximum recommended intermittent cycle rate: | 30 cycles/min [60 strokes] |                    |
| Maximum operating temperature:               | 160°F [71°C]               |                    |
| Piston diameter:                             | 7.9 in [200 mm]            |                    |
| Nominal stroke length:                       | 5 in [127 mm]              |                    |
| Air inlet connection:                        | 3/4" BSPP / NPS (f)        |                    |
| Fluid inlet connection:                      | 1 1/2" NPT (m)             |                    |
| Fluid outlet connection:                     | 3/4" NPT (f)               |                    |
| Weight:                                      | 84 lbs. [38 kg]            |                    |

In this part sheet, the words **WARNING**, **CAUTION** and **NOTE** are used to emphasize important safety information as follows:

## **WARNING**

Hazards or unsafe practices which could result in severe personal injury, death or substantial property damage.

## **CAUTION**

Hazards or unsafe practices which could result in minor personal injury, product or property damage.

## **NOTE**

Important installation, operation or maintenance information.

## **WARNING**

### Read the following warnings before using this equipment.



#### READ THE MANUAL

Before operating finishing equipment, read and understand all safety, operation and maintenance information provided in the operation manual.



#### WEAR SAFETY GLASSES

Failure to wear safety glasses with side shields could result in serious eye injury or blindness.



#### DE-ENERGIZE, DEPRESSURIZE, DISCONNECT AND LOCK OUT ALL POWER SOURCES DURING MAINTENANCE

Failure to De-energize, disconnect and lock out all power supplies before performing equipment maintenance could cause serious injury or death.



#### OPERATOR TRAINING

All personnel must be trained before operating finishing equipment.



#### EQUIPMENT MISUSE HAZARD

Equipment misuse can cause the equipment to rupture, malfunction, or start unexpectedly and result in serious injury.



#### KEEP EQUIPMENT GUARDS IN PLACE

Do not operate the equipment if the safety devices have been removed.



#### PROJECTILE HAZARD

You may be injured by venting liquids or gases that are released under pressure, or flying debris.



#### PINCH POINT HAZARD

Moving parts can crush and cut. Pinch points are basically any areas where there are moving parts.



#### PACEMAKER WARNING

You are in the presence of magnetic fields which may interfere with the operation of certain pacemakers.



#### AUTOMATIC EQUIPMENT

Automatic equipment may start suddenly without warning.



#### INSPECT THE EQUIPMENT DAILY

Inspect the equipment for worn or broken parts on a daily basis. Do not operate the equipment if you are uncertain about its condition.



#### NEVER MODIFY THE EQUIPMENT

Do not modify the equipment unless the manufacturer provides written approval.



#### KNOW WHERE AND HOW TO SHUT OFF THE EQUIPMENT IN CASE OF AN EMERGENCY



#### PRESSURE RELIEF PROCEDURE

Always follow the pressure relief procedure in the equipment instruction manual.



#### NOISE HAZARD

You may be injured by loud noise. Hearing protection may be required when using this equipment.



#### HIGH PRESSURE CONSIDERATION

High pressure can cause serious injury. Relieve all pressure before servicing. Spray from the spray gun, hose leaks, or ruptured components can inject fluid into your body and cause extremely serious injury.



#### STATIC CHARGE

Fluid may develop a static charge that must be dissipated through proper grounding of the equipment, objects to be sprayed and all other electrically conductive objects in the dispensing area. Improper grounding or sparks can cause a hazardous condition and result in fire, explosion or electric shock and other serious injury.



#### PROP 65 WARNING

WARNING: This product contains chemicals known to the State of California to cause cancer and birth defects or other reproductive harm.

**IT IS THE RESPONSIBILITY OF THE EMPLOYER TO PROVIDE THIS INFORMATION TO THE OPERATOR OF THE EQUIPMENT. FOR FURTHER SAFETY INFORMATION REGARDING THIS EQUIPMENT, SEE THE GENERAL EQUIPMENT SAFETY BOOKLET (77-5300).**

Note: Read and follow all instructions and safety precautions before using this equipment.

#### Product Descriptions

MX3042 Pump Assemblies  
MX3536 Pump Assemblies



This product is designed for use with Solvent based and Waterborne materials. Suitable for use in Zone 1 and 2, Protection Level: II 2 G X


Manufacturer: **Finishing Brands (UK) Limited:**  
Ringwood Road, Bournemouth  
Dorset BH11 9LH. UK

### EU Declaration of Conformity

We: Finishing Brands declare that the above product conforms with the Provisions of Machinery Directive 2006/42/EC and the ATEX Directive 94/9/EC by complying with the following statutory documents and harmonized standards:

Machinery Safety Standards EN ISO 12100, EN ISO 4413, EN ISO 4414 & EN12621  
Explosion Prevention Potentially Explosive Atmospheres EN 1127-1  
Non-electrical Equipment for Potentially Explosive Atmospheres BS EN 13463-1  
Constructional Safety for Potentially Explosive Atmospheres EN 13463-5

Providing all conditions of safe use stated within the product manuals have been complied with and that the final equipment into which this product is installed has been re-assessed as required, in accordance with essential health and safety requirements of the above standards, directives and statutory instruments and also installed in accordance with any applicable local codes of practice.

  
D. Smith, General Manager  
21st April 2014

Binks reserves the right to modify equipment specification without prior notice.

**⚠ WARNING**

**HIGH PRESSURE CAN CAUSE SERIOUS INJURY IF EQUIPMENT IS INSTALLED OR USED INCORRECTLY—READ, UNDERSTAND, AND OBSERVE ALL WARNINGS AND INSTRUCTIONS IN THIS MANUAL.**

**INSTALL, OPERATE OR SERVICE THIS EQUIPMENT ONLY AFTER ALL INSTRUCTIONS ARE CLEARLY UNDERSTOOD.**

It is the responsibility of the employer to place this information into the hands of the operator.

**⚠ WARNING**

Hazards or unsafe practices which could result in severe personal injury, death or substantial property damage.

**⚠ CAUTION**

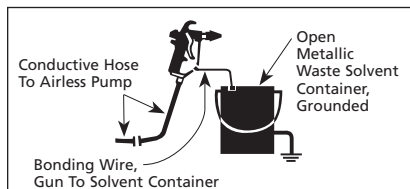
Hazards or unsafe practices which could result in minor personal injury, product or property damage.

**NOTE**

Important installation, operation or maintenance information.

**AVOID STATIC SPARKING**

1. Use Binks **NO-WIRE** conductive hose in all airless spraying operations. Be sure the gun and hose have continuity.
2. Make sure the pump is grounded. **NEVER** operate the unit when it is on a non-grounded platform.
3. When flushing or cleaning with a combustible solvent, always use an open metallic container for receiving the waste solvent. Ground the solvent receptacle.
4. **ALWAYS** remove spray tip when flushing the system. Operate the pump at the lowest possible pressure.

**GENERAL WARNINGS**

1. **NEVER** leave a pressurized sprayer unattended.
2. Periodically inspect all hoses for leaks and/or abrasions and tighten all connections before use. **DO NOT ATTEMPT TO REPAIR** a defective hose. **REPLACE** it with another conductive hose.
3. **ALWAYS** relieve pressure in the system by turning bypass valve to **BYPASS** or triggering spray gun before disassembly of any component parts.

**CAUTION**

Never store de-ionized, distilled, reverse osmosis or any pure grade of water in the pump. These fluids may cause corrosion.

**NOTE**

BINKS is not responsible for misapplication of pumps. Consult your BINKS representative for application assistance.

**NOTE**


Be sure that all fluids, solvents and fillers to be used are chemically and physically compatible with wetted parts in the pump. Consult your BINKS representative for pump materials of constructions and compatibility information. Consult the fluid manufacturer for information regarding the fluids to be used.

**REPLACEMENT PARTS**

The pump is designed to use authorized parts only. When using this pump with parts that do not comply with the minimum specifications and safety devices of Binks, the user assumes all risks and liabilities.

**⚠ WARNING****EXCESSIVE AIR PRESSURE**

Can cause personal injury, pump damage or property damage. Do not exceed maximum inlet air pressure as stated on motor model plate.

| HAZARD  | CAUSE   | SAFEGUARDS   |
|---|---|--|
| <p><b>EXPLOSION</b></p>  | <p><b>STATIC ELECTRICITY</b><br/>Use of this equipment in a potentially explosive atmosphere.<br/>Vapors from flammable liquids can catch fire or explode from static electricity discharges.</p> | <ol style="list-style-type: none"> <li>1. If installing this equipment in a potentially explosive atmosphere, check the ATEX equipment category and temperature ratings meet the requirements for the zoned area.</li> <li>2. Check electrical continuity of the air supply to earth — should be no greater than <math>10^6 \Omega</math>.</li> <li>3. Electrically bond all metallic equipment to earth. Should be no greater than <math>1 \Omega</math>.</li> </ol>  |
| <p><b>SPECIAL CONDITIONS FOR SAFE USE REQUIRED BY ATEX CERTIFICATION</b></p>                              | <p>Over pressurization of equipment can cause equipment failure or injury.<br/>Use lubricating medium resistant to carburisation.<br/>Improper operation or maintenance may create a hazard.</p>  | <ol style="list-style-type: none"> <li>1. Do not exceed the stated maximum working pressures and motor speed as specified in this manual.</li> <li>2. Only a suitably approved static dissipating or conductive air supply hoses shall be attached to the equipment and terminated to the air supply.</li> <li>3. Air supplies (compressors, etc.) shall be sited in a non-hazardous area with a filter on the air intake system to prevent the ingress of dust or similar foreign material into the parts where compression takes place.</li> <li>4. Use lubricating medium resistant to carburisation and has an auto ignition temperature of more than <math>185^\circ\text{C}</math> for T4 equipment.</li> <li>5. User shall ensure all metallic parts of the equipment are suitably bonded to earth. Should be no greater than <math>1 \Omega</math>.</li> </ol> |

## STARTUP AND OPERATION

### GROUNDING THE BINKS PUMP

#### **⚠ WARNING**

To prevent static charging igniting the flammable spray material, the BINKS pump must be grounded before it is started up. A grounding cable is included with the pump.

1. Clamp the grounding cable to the terminal on the high pressure filter or the air motor.
2. Connect the other end of the grounding cable to a suitable grounding device (e.g. grounding bar).

### PREPARING TO START UP THE BINKS PUMP

Proceed as follows:

1. Check that the solvent cup is full to the level shown. If necessary, add material to the solvent cup. (Order part no. 0114-009433 for solvent based paint, and part no. 0114-014871 for waterborne paint.)
2. Attach a suitable fluid hose to the outlet fitting.

#### **⚠ WARNING**

The fluid hose supplied by BINKS is identified with the maximum permitted working pressure and the bursting pressure. The lesser value—the maximum permitted working pressure—must be greater than the maximum permitted working pressure of the pump.

3. Connect the gun—designed at least for the maximum permitted working pressure of the pump—to the fluid hose.
4. Make sure that the ball valve on the air control assembly is closed.
5. Connect the compressed air supply to the air inlet connection.
6. The pump is equipped with an air pressure regulator. Before putting the pressure line into operation, relieve the pressure regulator by fully unscrewing the control knob. Thereafter rotate the control knob clockwise until the pressure gauge on the regulator indicates the required pressure.

#### **NOTE**

The pump is equipped with an air pressure safety valve.

### RINSING THE BINKS PUMP

#### **⚠ WARNING**

Wear eye protection.

Every BINKS pump is tested with water during final inspection and thoroughly rinsed with a non-gumming preservative oil. With this rinsing process, it is possible that the residual moisture of water emulsion will be left in the pump.

Before the unit is started up for the first time, a suitable solvent must be used to thoroughly rinse out the remains of the preservative fluid and the unavoidable impurities introduced during equipment assembly.

Proceed as follows:

1. Prepare the BINKS pump for start-up as shown above.
2. Close the high pressure ball valve on the fluid filter.
3. Immerse the siphon kit in the tank of solvent.
4. Insert the return flow hose into the tank of solvent. Open the high pressure ball valve on the fluid filter.
5. Open the ball valve and set the air regulator to approximately 1 bar (14.5 psi). The siphon kit now draws in the solvent. The solvent runs back to the solvent tank through the high pressure filter, the high pressure ball valve and the return flow hose.
6. Remove the spray tip from the gun and point the gun into the tank. Unlock the safety lever on the gun, operate the gun and close the high pressure ball valve. The solvent will now flow through the high pressure filter, the fluid hose and the gun, back into the tank. The time of rinsing depends on the length of the material lines and the solubility of the spray material. We recommend a short reflush with "fresh" solvent.
7. Release the gun trigger.
8. Slowly increase the pressure at the regulator to maximum working pressure while checking and testing

that all lines and screw and plug caps are tightly sealed. If there are any leaks in the system, shut down the BINKS pump immediately. Only re-start the BINKS pump once you have repaired the leak.

9. Reduce the air pressure at the air regulator again and close the ball valve.
10. Make sure that the return flow hose is still directed into the solvent tank. Carefully open the high pressure ball valve to reduce the pressure in the fluid hose and in the high pressure filter.
11. Point the gun into the tank of solvent and operate the trigger, to reduce any pressure which may still exist in the fluid hose and in the gun.

#### **⚠ CAUTION**

If working with waterborne material, the BINKS pump must again be thoroughly rinsed with water before it is started up.

### FLUSH PUMP BEFORE OPERATION

The pump was factory tested with lightweight oil. Some residue is left in to protect the pump parts. If this could contaminate the fluid you are pumping, flush it thoroughly with a compatible solvent. To start the pump, follow the procedure in the following section, Start and Adjust Pump.

#### **NOTE**

Flush the pump with a solvent compatible with the material to be pumped. The pump was tested with oil at the factory.

### START-UP

1. Prepare the BINKS pump for start-up as shown above and if necessary, rinse pump.
2. Close the high pressure ball valve on the fluid filter.
3. Immerse the siphon kit in the spray material to be used.
4. Place the return flow hose in the tank. Then open the high pressure ball valve.
5. Open the ball valve for the compressed air supply and use the pressure regulator to set the compressed air

(continued on next page)

## STARTUP AND OPERATION

supply to 1 bar (14.5 psi). The pump will now draw in the spray material. The spray material flows back into the tank through the high pressure filter, the high pressure ball valve and the return pipe.

- Remove the spray tip from the gun and point the gun into the tank. Unlock the safety lever on the gun. Operate the gun trigger and close the high pressure ball valve. The spray material will now flow through the high pressure filter, the fluid hose and the gun, back into the tank.
- Release the gun trigger and set the working pressure at the regulator.

### NOTE

Before carrying out any coating work, we recommend a test spray (e.g. on to paper or wood). Only if the test gives you the desired result should you start to coat the actual object.

### WORK STOPPAGES

#### CAUTION

If working with 2-K spray material, you must note the given pot life and follow it precisely. Within this time, the unit must be carefully cleaned and rinsed with the recommended solvent. There must be no residue left in the pump, the high pressure filter or the gun.

#### CAUTION

When work is stopped, the safety lever of the gun must be locked.

For work stoppages of between 10 and 30 minutes, please proceed as follows:

#### WARNING

Wear eye protection.

- Lock the safety lever on the gun.
- Shut off the compressed air supply by closing the ball valve.
- Briefly open the high pressure ball valve, taking care that the return flow hose is not pointed at other people or at yourself, until the pressure has reduced. Then close the high pressure ball valve again.
- Clean the outside of the spray nozzle from spray material residue.

### SHUT-DOWN

#### CAUTION

Once work is completed, the BINKS pump must be thoroughly cleaned. Under no circumstances must you allow paint residue to dry out in the unit. To clean the pump, use a solvent appropriate to the spray material.

#### WARNING

Wear eye protection.

- Close the ball valve for the compressed air supply.
- Make sure that the flow hose is still directed into the spray material tank. Carefully open the high pressure ball valve to reduce the pressure in the pump and in the high pressure filter.
- Remove the spray tip from the gun.
- Point the gun into the tank of spray material and operate the trigger to reduce any pressure which may still exist in the fluid hose and in the gun.
- Lock the safety lever on the gun.
- Remove the siphon kit from the spray material.

### CLEANING YOUR BINKS PUMP

#### CAUTION

Do not allow spray material or solvent to soak into the ground.

#### WARNING

Wear eye protection.

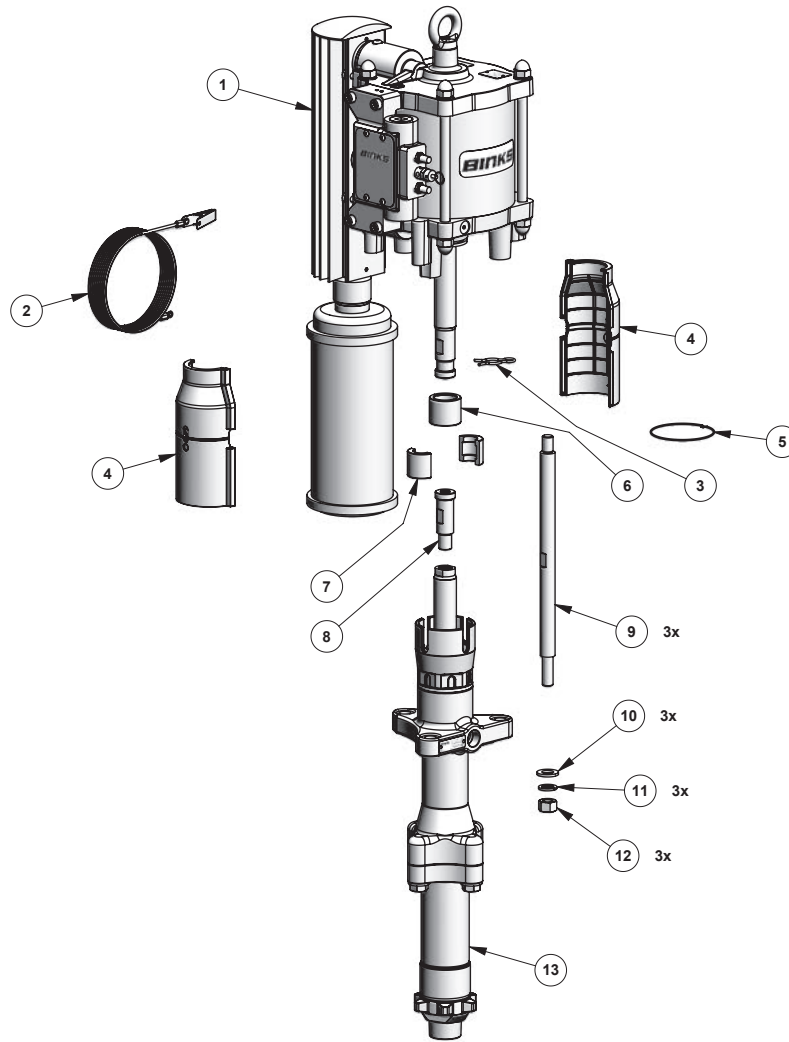
- Clean the pump and the siphon kit from the outside. Immerse the suction system in the tank of solvent.
- Clean the fluid tip/tip system as described in the service bulletin of the spray gun. We recommend to soak the fluid tip in solvent.
- Unlock the safety lever of the gun without fluid tip. Operate the gun. Close the high pressure ball valve. Set the air inlet pressure to 1 bar (14.5 psi) and slowly open the ball valve. Let the solvent run through the system so that the spraying material can rinse out.

- Let the solvent run through the system for a couple of minutes until the solvent runs clear through the gun. Close the ball valve and lock the safety lever of the gun.
- Clean the gun from the outside and check the filter on the handle (if mounted).
- Clean the filter element of the high pressure filter.
- Clean the filter of the siphon kit.
- We recommend keeping the pump filled with liquid.

### NOTE

If the pump is not to be used for longer periods of time, we recommend flushing the system with a light, silicone-free oil.

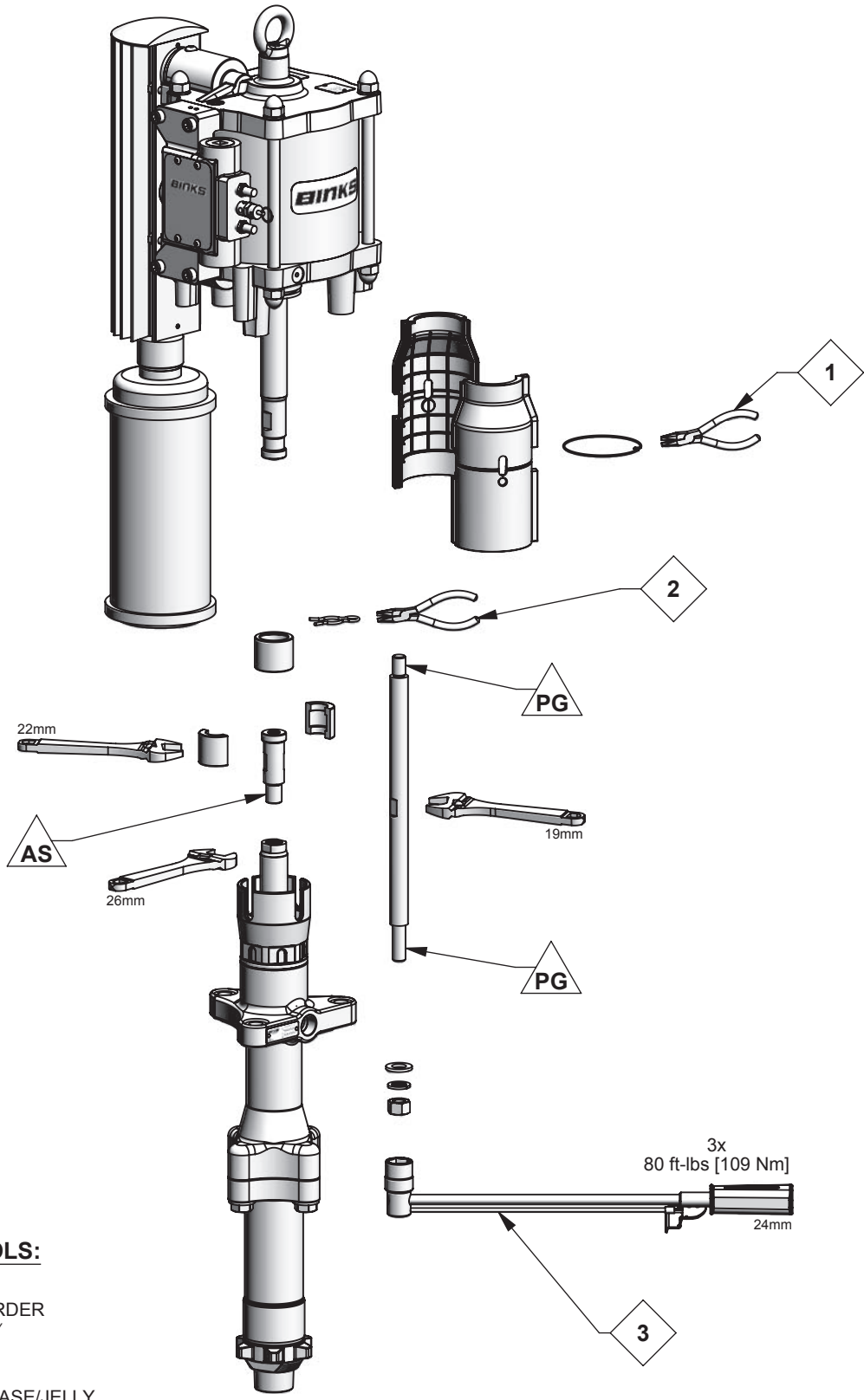
**MX3042 AND MX3536 BARE PUMP ASSEMBLIES**



| ITEM NO. | PART NUMBER | DESCRIPTION                           | MX3042 QTY. | MX3536 QTY. | SERVICE MANUAL |
|----------|-------------|---------------------------------------|-------------|-------------|----------------|
| 1        | AX200L-7    | AX200L AIR MOTOR ASSEMBLY (QD, 7 BAR) | 1           | –           | 77-2958        |
|          | AX200L-8    | AX200L AIR MOTOR ASSEMBLY (QD, 8 BAR) | –           | 1           |                |
| 2        | 0114-016243 | GROUNDING WIRE KIT                    | 1           | 1           |                |
| 3        | 0115-010450 | HAIRPIN CLIP                          | 1           | 1           |                |
| 4        | 193546      | PUMP GUARD                            | 2           | 2           |                |
| 5        | 193543      | CLIP                                  | 1           | 1           |                |
| 6        | 0115-010448 | SPLIT COLLAR RETAINER                 | 1           | 1           |                |
| 7        | 0115-010445 | MOTOR ROD SPLIT COLLAR                | 1           | 1           |                |
| 8        | 0115-010447 | PUMP ROD QD ADAPTER                   | 1           | 1           |                |
| 9        | 193813      | TIE ROD                               | 3           | 3           |                |
| 10       | 165097      | FLAT WASHER                           | 3           | 3           |                |
| 11       | 20-6832     | SPRING LOCK WASHER                    | 3           | 3           |                |
| 12       | 20-6834     | HEX NUT                               | 3           | 3           |                |
| 13       | FX30PU-CAK  | FX30 FLUID PUMP ASSEMBLY (PTFE/UHMW)  | 1           | –           | 77-2955        |
|          | FX35PU-CAK  | FX35 FLUID PUMP ASSEMBLY (PTFE/UHMW)  | –           | 1           |                |



**MX3042 AND MX3536 BARE PUMP ASSEMBLIES – MAINTENANCE**



**MAINTENANCE SYMBOLS:**

# = MAINTENANCE ORDER  
*Reverse for assembly*

PG = PETROLEUM GREASE/JELLY

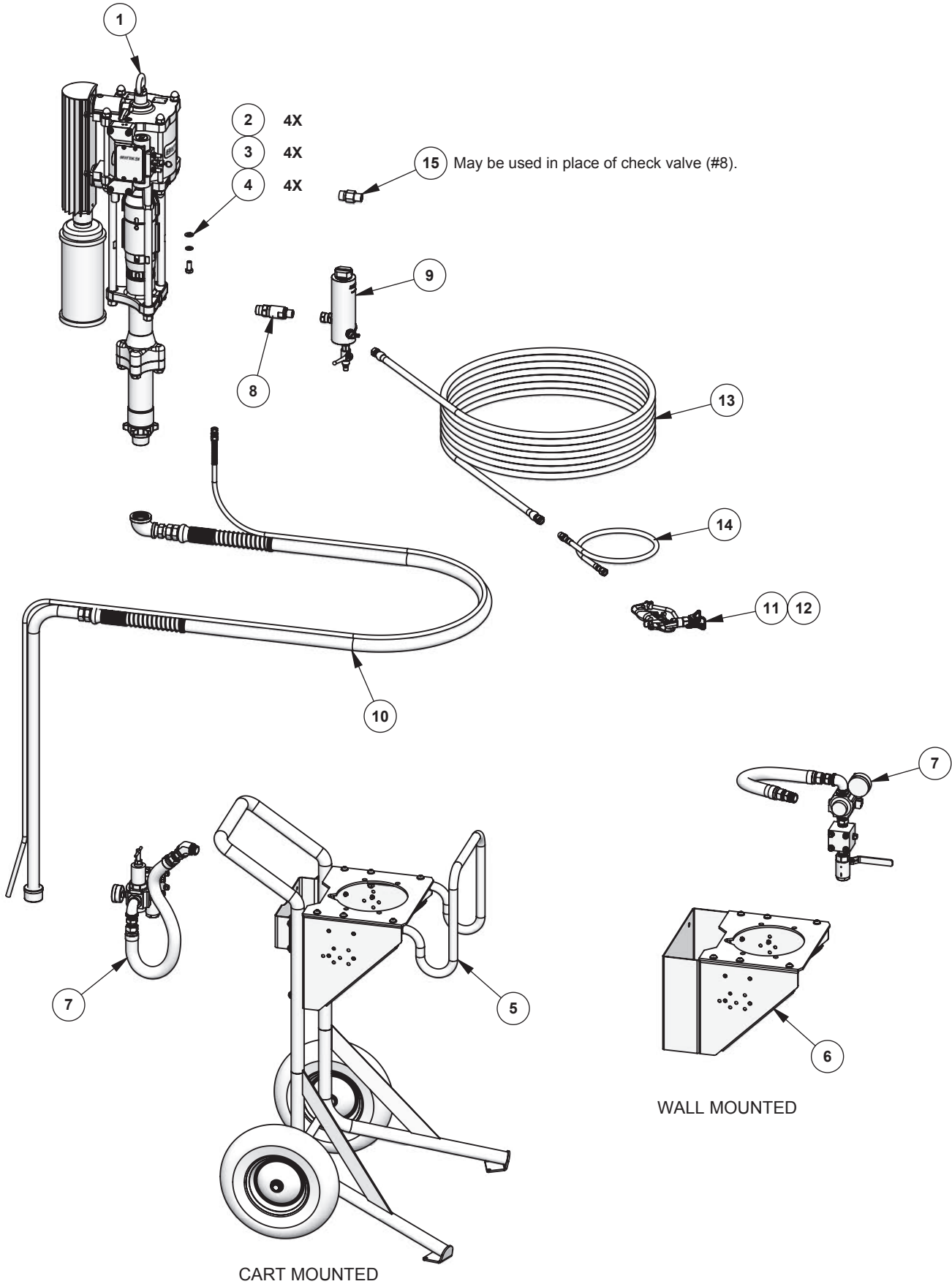
AS = ANTI SEIZE



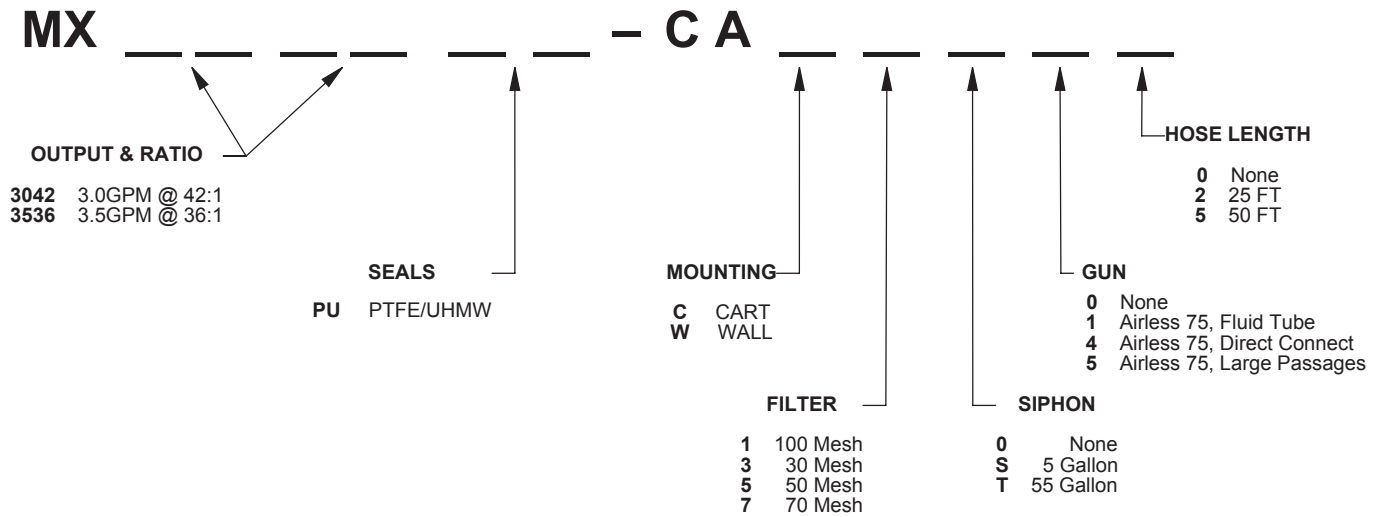
## MX3042 AND MX3536 BARE PUMP ASSEMBLIES – TROUBLESHOOTING

| PROBLEM  | CAUSE   | SOLUTION  |
|--|---|---|
| <b>Pump will not start</b>                             | No compressed air.<br>Spray tip is blocked.                                     | Check compressed air supply.<br>Clean or replace the spray tip.   |
| <b>Erratic operation of air motor, air motor stops</b> | Worn poppet assemblies.<br>Worn or dirty spool and sleeve assembly.             | Replace the poppet assemblies.<br>Clean or replace the spool and sleeve assembly, as necessary.                             |
| <b>Continuous air leak from the exhaust</b>            | Worn poppet assemblies.<br>Worn piston seal.<br>Worn diaphragm.                 | Replace poppet assemblies.<br>Replace piston seal.<br>Replace diaphragm.  |
| <b>Material in solvent cup</b>                         | Worn or dirty upper packings.   | Replace or clean upper packings as necessary.   |
| <b>Pump does not stop on the down stroke</b>           | Worn or dirty lower ball check.   | Replace or clean the parts as necessary.  |
| <b>Pump does not stop on the up stroke</b>             | Worn or dirty upper ball check.<br>Worn or dirty lower packings.                | Replace or clean the parts as necessary.  |
| <b>Pump runs erratically</b>                           | Blocked siphon kit.<br>Blocked inlet filter or strainer.<br>Low material level. | Replace or clean the siphon kit.<br>Replace or clean the inlet filter or strainer.<br>Replace or refill material container. |
| <b>Pump runs, with no output</b>                       | Loose connection in between pump and siphon kit.<br>Stuck lower ball.           | Check that all connections are tight.<br>Replace or clean the parts as necessary.   |

MX3042 AND MX3536 – SYSTEMS



## MX3042 AND MX3536 – SYSTEMS

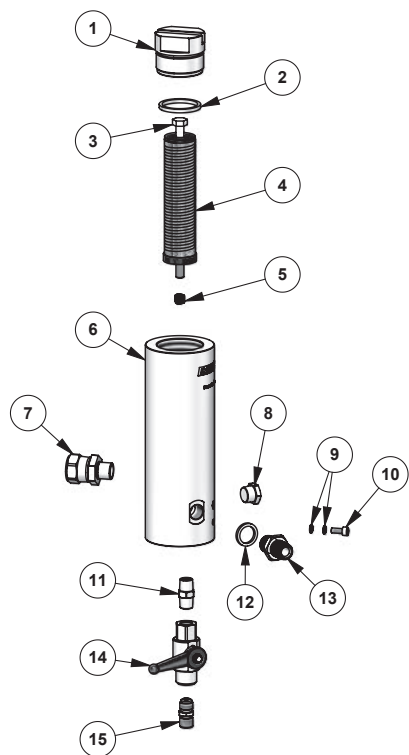


## MX3070 & MX3560 SYSTEMS

| ITEM NO. | PART NUMBER  | DESCRIPTION  | QTY                | SERVICE MANUAL |
|----------|--------------|--|--------------------|----------------|
| 1        | MX3042PU-CAK | MX3042 BARE PUMP ASSEMBLY (PTFE/UHMW)                  | 1                  |                |
|          | MX3536PU-CAK | MX3536 BARE PUMP ASSEMBLY (PTFE/UHMW)                  | 1                  |                |
| 2        | 0115-010551  | M12 FLAT WASHER  | 4                  |                |
| 3        | 0115-010499  | M12 SPRING LOCK WASHER                                 | 4                  |                |
| 4        | 0115-010449  | M12 X 25mm HEX HEAD CAP SCREW                          | 4                  |                |
| 5        | 41-28280-200 | CART ASSEMBLY  | 1 IF MOUNT = C     |                |
| 6        | 104116       | WALL BRACKET ASSEMBLY                                  | 1 IF MOUNT = W     |                |
| 7        | 41-28190     | AIR CONTROL ASSEMBLY (CART)                            | 1 IF MOUNT = C     |                |
|          | 41-28200     | AIR CONTROL ASSEMBLY (WALL)                            | 1 IF MOUNT = W     |                |
| 8        | 193791       | CHECK VALVE ASSEMBLY                                   | 1                  |                |
| 9        | 41-28275-100 | S.S. FILTER ASSEMBLY (100 MESH)                        | 1 IF FILTER = 1    |                |
|          | 41-28275-30  | S.S. FILTER ASSEMBLY (30 MESH)                         | 1 IF FILTER = 3    |                |
|          | 41-28275-50  | S.S. FILTER ASSEMBLY (50 MESH)                         | 1 IF FILTER = 5    |                |
|          | 41-28275-70  | S.S. FILTER ASSEMBLY (70 MESH)                         | 1 IF FILTER = 7    |                |
| 10       | 41-28270-5   | 5 GALLON SIPHON KIT                                    | 1 IF SIPHON = S    | 77-2126        |
|          | 41-28270-55  | 55 GALLON SIPHON KIT                                   | 1 IF SIPHON = T    |                |
| 11       | 0811-7500-1  | AIRLESS 75 SPRAY GUN ASSEMBLY                          | 1 IF GUN = 1       | 77-2950        |
|          | 0811-7500-2  | AIRLESS 75 SPRAY GUN ASSEMBLY (DIRECT CONNECT)         | 1 IF GUN = 4       |                |
|          | 0811-7500-3  | AIRLESS 75 SPRAY GUN ASSEMBLY (LARGE PASSAGE)          | 1 IF GUN = 5       |                |
| 12       | 72-2332      | HP SWIVEL ADAPTER                                      | 1 IF GUN = 1       |                |
| 13       | 71-4860      | HP FLUID HOSE, 3/8 ID X 3/8 NPS (F) X 25 FT            | 1 IF HOSE = 2      |                |
|          | 71-4861      | HP FLUID HOSE, 3/8 ID X 3/8 NPS (F) X 50 FT            | 1 IF HOSE = 5      |                |
| 14       | 71-4782      | HP FLUID HOSE, 1/4 ID X 1/4 NPS (F) 3/8 NPT (M) X 5 FT | 1 IF HOSE = 2 or 5 |                |
| 15       | 193332       | DM NIPPLE, 3/4" NPT X M22                              | 1                  |                |

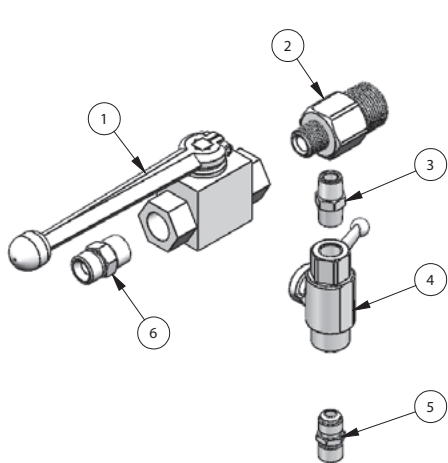
## 41-28275 STAINLESS STEEL FLUID FILTER ASSEMBLIES

### PARTS LIST



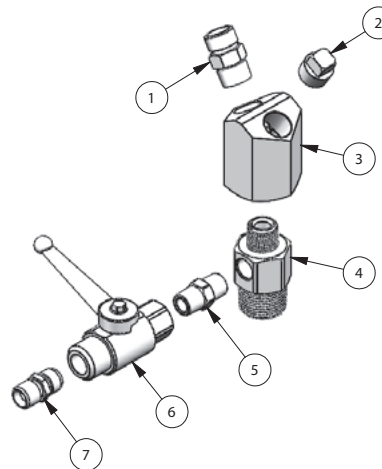
| ITEM NO. | PART NUMBER | DESCRIPTION                       | 41-28275-30 QTY | 41-28275-50 QTY | 41-28275-70 QTY | 41-28275-100 QTY |
|----------|-------------|-----------------------------------|-----------------|-----------------|-----------------|------------------|
| 1        | 193662      | FILTER CAP                        | 1               | 1               | 1               | 1                |
| 2        | 193665      | HOUSING SEAL                      | 1               | 1               | 1               | 1                |
| 3        | 193663      | M8 x 160 RETAINING BOLT           | 1               | 1               | 1               | 1                |
| 4        | 0114-014917 | 30 MESH FILTER (BLUE)             | 1               | -               | -               | -                |
|          | 0114-014886 | 50 MESH FILTER (ORANGE)           | -               | 1               | -               | -                |
|          | 0114-014884 | 70 MESH FILTER (YELLOW)           | -               | -               | 1               | -                |
|          | 0114-014883 | 100 MESH FILTER (BLACK)           | -               | -               | -               | 1                |
| 5        | 193664      | M8 HELICOIL                       | 1               | 1               | 1               | 1                |
| 6        | 193661      | FILTER HOUSING                    | 1               | 1               | 1               | 1                |
| 7        | 0114-013638 | SWIVEL CONNECTING NIPPLE          | 1               | 1               | 1               | 1                |
| 8        | 192022      | 3/8" PLUG                         | 1               | 1               | 1               | 1                |
| 9        | 0114-009743 | SPRING LOCK WASHER                | 2               | 2               | 2               | 2                |
| 10       | 0114-014179 | SOCKET HEAD CAP SCREW             | 1               | 1               | 1               | 1                |
| 11       | 0114-019090 | OUTFLOW FITTING                   | 1               | 1               | 1               | 1                |
| 12       | 0114-013952 | GASKET                            | 1               | 1               | 1               | 1                |
| 13       | 41-28276    | 3/8" BSPP x 3/8" NPT MALE ADAPTER | 1               | 1               | 1               | 1                |
| 14       | 0114-019091 | HP BALL VALVE                     | 1               | 1               | 1               | 1                |
| 15       | 20-6843     | DM NIPPLE 1/4 NPS x BSPP          | 1               | 1               | 1               | 1                |

### OPTIONAL OUTLET KITS (SOLD SEPARATELY)



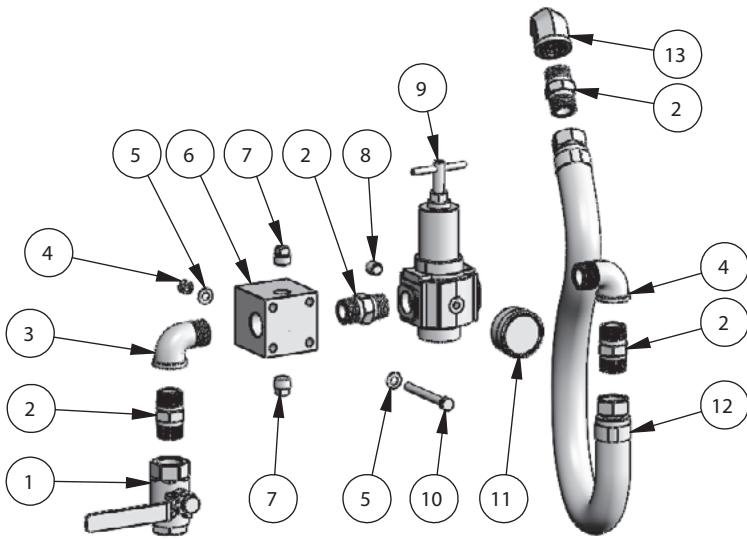
#### 41-28291 MASTIC VALVE KIT

| ITEM NO. | PART NUMBER | DESCRIPTION  | QTY |
|----------|-------------|--|-----|
| 1        | 73-202      | BALL VALVE, 3/8" NPT                               | 1   |
| 2        | 41-28266    | OUTLET FITTING (3/4" NPT M X 3/8" NPT M X G1/4" F) | 1   |
| 3        | 0114-019090 | DM NIPPLE, G1/4"                                   | 1   |
| 4        | 0114-019091 | BALL VALVE, G1/4" SS                               | 1   |
| 5        | 20-6843     | DM NIPPLE, 1/4" NPS x BSPP, SS                     | 1   |
| 6        | 83-2055     | DM NIPPLE, 3/8" NPT X NPS, SS                      | 1   |

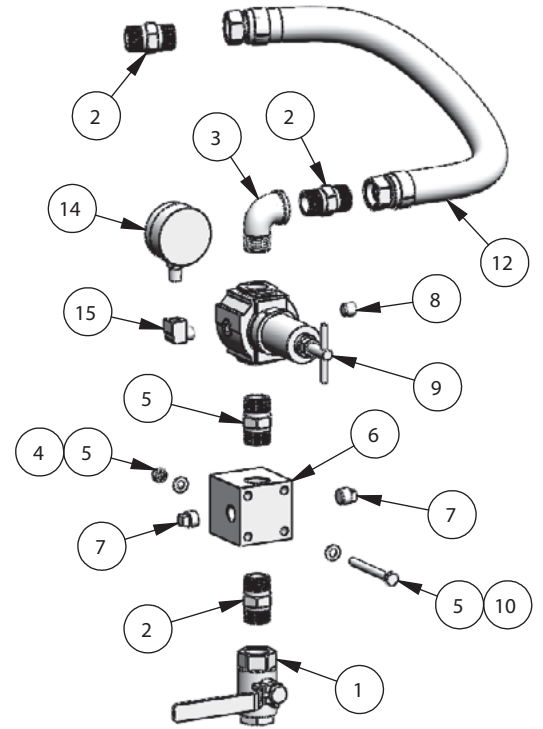


#### 41-28294 DUAL OUTLET KIT

| ITEM NO. | PART NUMBER | DESCRIPTION  | QTY |
|----------|-------------|--|-----|
| 1        | 83-2055     | DM NIPPLE, 3/8" NPT X NPS, SS                      | 1   |
| 2        | 20-1592     | PLUG, SQ HEAD, 3/8" NPT                            | 1   |
| 3        | 193544      | DUAL OUTLET, 3/8" NPT                              | 1   |
| 4        | 41-28266    | OUTLET FITTING (3/4" NPT M X 3/8" NPT M X G1/4" F) | 1   |
| 5        | 0114-019090 | DM NIPPLE, G1/4"                                   | 1   |
| 6        | 0114-019091 | BALL VALVE, G1/4" SS                               | 1   |
| 7        | 20-6843     | DM NIPPLE, 1/4" NPS x BSPP, SS                     | 1   |



41-28190  
FOR CART MOUNTED SYSTEMS

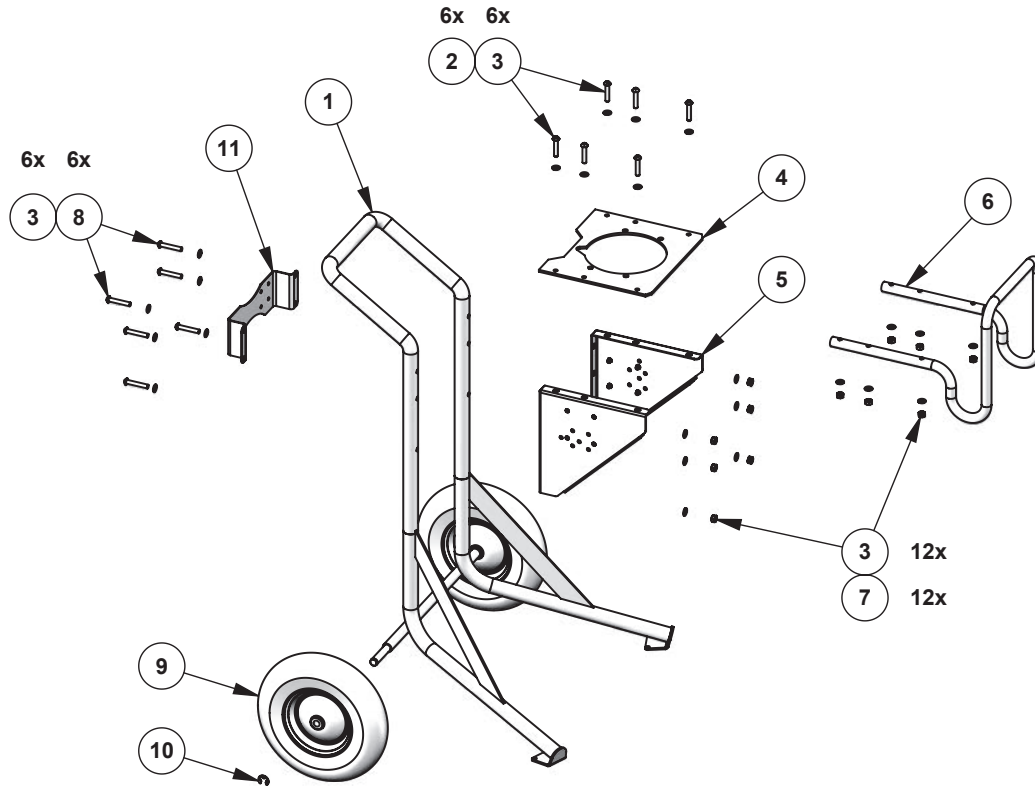


41-28200  
FOR WALL MOUNTED SYSTEMS

**PARTS LIST**

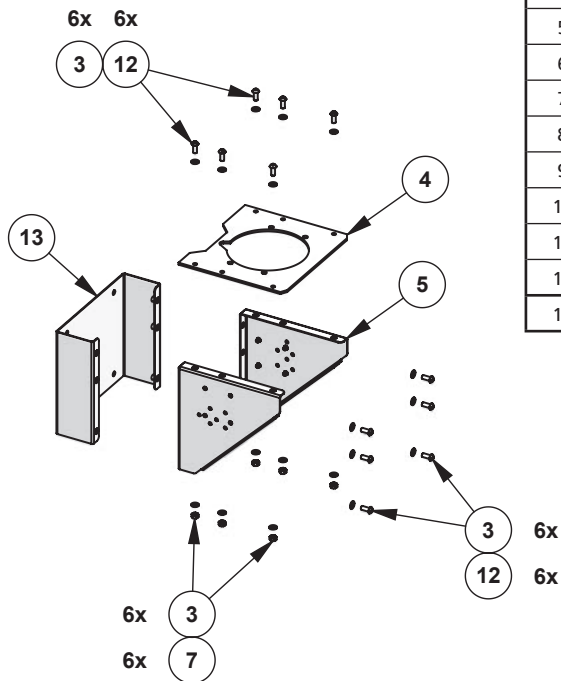
| ITEM NO. | PART NUMBER | DESCRIPTION                                    | 41-28190 QTY | 41-28200 QTY |
|----------|-------------|--|--------------|--------------|
| 1        | 73-91300    | VENTED BALL VALVE                              | 1            | 1            |
| 2        | 72-1102     | 3/4 NPT X 3/4 NPT DM NIPPLE                    | 4            | 4            |
| 3        | 20-3590     | 3/4 STREET ELBOW                               | 2            | 1            |
| 4        | 0115-010096 | M8 NYLON LOCKNUT                               | 4            | 4            |
| 5        | 0115-010035 | M8 PLAIN WASHER                                | 8            | 8            |
| 6        | 41-28193    | AIR CONTROL MANIFOLD                           | 1            | 1            |
| 7        | 20-1592     | PLUG, SQ HEAD, 3/8 NPT                         | 2            | 2            |
| 8        | 20-2288-1   | PLUG, 1/4 NPT                                  | 1            | 1            |
| 9        | 85-502      | NORGREN EXCELON 74 PRESSURE REGULATOR, 3/4"    | 1            | 1            |
| 10       | 20-6904     | M8 X 1.25mm X 80mm HHCS, PLATED STEEL          | 4            | 4            |
| 11       | GA-316      | PRESSURE GAUGE, 2 IN DIA., 160 LBS, BACK MOUNT | 1            | -            |
| 12       | 71-1514     | 3/4" AIR HOSE ASSEMBLY                         | 1            | 1            |
| 13       | 20-6949     | 45° STREET ELBOW, 3/4" NPT                     | 1            | -            |
| 14       | 83-1290     | PRESSURE GAUGE, 2 1/2" IN DIA., 150 LBS        | -            | 1            |
| 15       | SSP-1917-NI | STREET ELBOW, 1/4" NPT                         | -            | 1            |

CART ASSEMBLY & WALL BRACKET ASSEMBLY

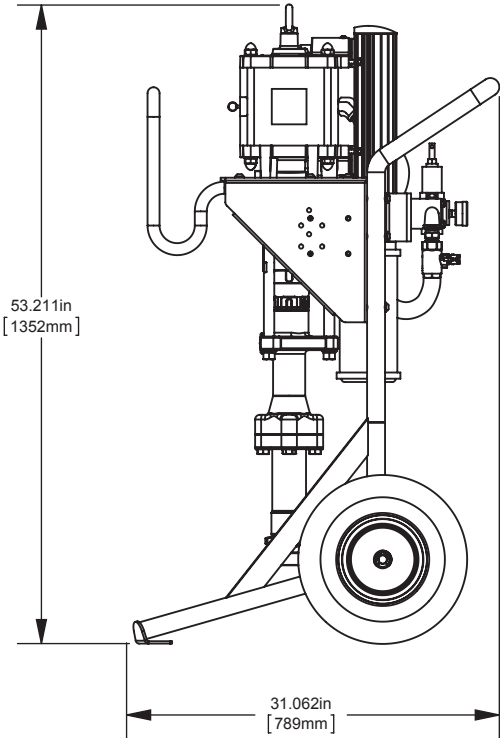
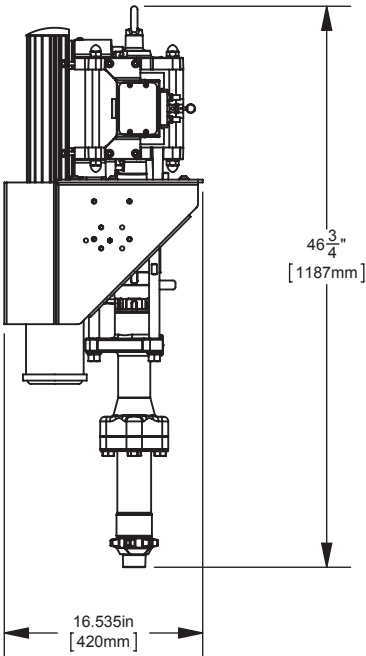
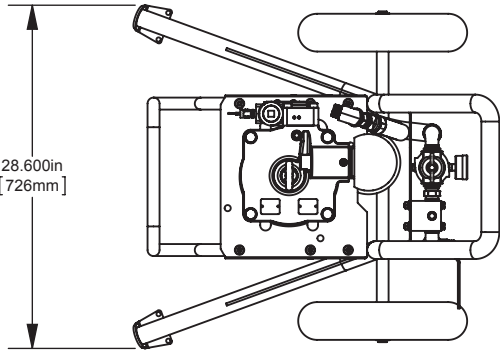
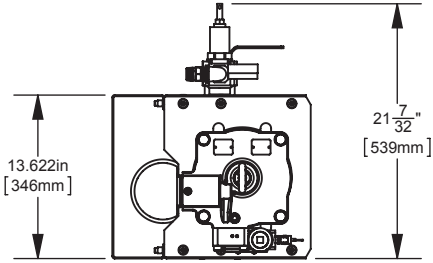


PARTS LIST

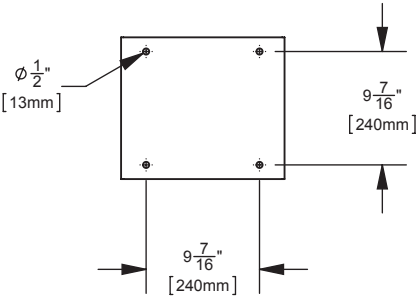
| ITEM NO. | PART NUMBER | DESCRIPTION                       | 41-28280-200 QTY | 104116 QTY |
|----------|-------------|-----------------------------------|------------------|------------|
| 1        | 193372      | CART FRAME                        | 1                | —          |
| 2        | 177013      | SOCKET HEAD BUTTON SCREW M10 x 50 | 6                | —          |
| 3        | 165135      | FLAT WASHER M10                   | 24               | 18         |
| 4        | 193814      | MOUNTING PLATE                    | 1                | 1          |
| 5        | 193376      | BRACKET SUPPORT                   | 2                | 2          |
| 6        | 193381      | HOSE BRACKET                      | 1                | —          |
| 7        | 163127      | HEX NUT M10                       | 12               | 6          |
| 8        | 177014      | SOCKET HEAD BUTTON SCREW M10 X 60 | 6                | —          |
| 9        | 193380      | 14" WHEEL                         | 2                | —          |
| 10       | 166157      | RETAINING RING                    | 2                | —          |
| 11       | 41-28273    | AIR CONTROL BRACKET               | 1                | —          |
| 12       | 177019      | SOCKET HEAD BUTTON SCREW M10 X 25 | —                | 12         |
| 13       | 193629      | WALL MOUNT                        | —                | 1          |



### PUMP DIMENSIONS



### Wall mounting pattern





## WARRANTY POLICY

Binks products are covered by Finishing Brands five year materials and workmanship limited warranty. The use of any parts or accessories, from a source other than Finishing Brands, will void all warranties. For specific warranty information please contact the closest Finishing Brands location listed below.

Finishing Brands reserves the right to modify equipment specifications without prior notice. DeVilbiss, Ransburg, BGK, and Binks are registered trademarks of Finishing Brands. ©2014 Finishing Brands. All rights reserved.



Binks is part of Finishing Brands, a global leader in innovative spray finishing technologies. For technical assistance or to locate an authorized distributor, contact one of our international sales and customer support locations below.

### USA/Canada

www.binks.com  
info@finishingbrands.com  
Tel: 1-800-992-4657  
Fax: 1-888-246-5732

### Mexico

www.finishingbrands.com.mx  
sales@finishingbrands.com.mx  
Tel: 011 52 55 5321 2300  
Fax: 011 52 55 5310 4790

### Brazil

www.devilbiss.com.br  
sales@devilbiss.com.br  
Tel: +55 11 5641 2776  
Fax: 55 11 5641 1256

### United Kingdom

www.finishingbrands.eu  
info@finishingbrands.eu  
Tel: +44 (0)1202 571 111  
Fax: +44 (0)1202 573 488

### France

www.finishingbrands.eu  
info@finishingbrands.eu  
Tel: +33(0)475 75 27 00  
Fax: +33(0)475 75 27 59

### Germany

www.finishingbrands.eu  
info@finishingbrands.eu  
Tel: +49 (0) 6074 403 1  
Fax: +49 (0) 6074 403 281

### China

www.finishingbrands.com.cn  
mkt@finishingbrands.com.cn  
Tel: +8621-3373 0108  
Fax: +8621-3373 0308

### Japan

www.ransburg.co.jp  
binks-devilbiss@ransburg.co.jp  
Tel: 081 45 785 6421  
Fax: 081 45 785 6517

### Australia

www.finishingbrands.com.au  
sales@finishingbrands.com.au  
Tel: +61 (0) 2 8525 7555  
Fax: +61 (0) 2 8525 7500



# CONJUNTOS DE BOMBAS MX3042 Y MX3536



| ESPECIFICACIONES                                   |                             |                    |
|--|-----------------------------|--------------------|
|  | MX3042                      | MX3536             |
| Proporción:  | 42:1                        | 36:1               |
| Presión de entrada de aire máxima:                 | 101.5 psi [7 bar]           | 116 psi [8 bar]    |
| Presión máxima del fluido:                         | 4263 psi [294 bar]          | 4176 psi [288 bar] |
| Desplazamiento por ciclo:                          | 6.4 oz. [190 cc]            | 7.4 oz. [220 cc]   |
| Salida @ 60 ciclos/min.:                           | 3.0 gpm [11.4 l/m]          | 3.5 gpm [13.2 l/m] |
| Velocidad cíclica continua máxima recomendada:     | 20 ciclos/min. [40 pasadas] |                    |
| Velocidad cíclica intermitente máxima recomendada: | 30 ciclos/min. [60 pasadas] |                    |
| Temperatura operativa máxima:                      | 160°F [71°C]                |                    |
| Diámetro del émbolo:                               | 7.9 pulg. [200 mm]          |                    |
| Longitud nominal de pasada:                        | 5 pulg. [127 mm]            |                    |
| Conexión para entrada de aire:                     | 3/4" BSPP / NPS (H)         |                    |
| Conexión para entrada de fluido:                   | 1 1/2" NPT (M)              |                    |
| Conexión para salida de fluido:                    | 3/4" NPT (H)                |                    |
| Peso:  | 84 lbs. [38 kg]             |                    |

En esta hoja de piezas, las palabras ADVERTENCIA, PRECAUCIÓN y NOTA se emplean para enfatizar información de seguridad importante de la siguiente forma:

**⚠ ADVERTENCIA**  
**Prácticas peligrosas o inseguras que pueden ocasionar lesiones personales graves, la muerte o daño substancial a la propiedad.**

**⚠ PRECAUCIÓN**  
**Prácticas peligrosas o inseguras que pueden ocasionar lesiones personales leves, daño al producto o a la propiedad.**

**NOTA**  
**Información importante de instalación, operación o mantenimiento.**

**⚠ ADVERTENCIA**

**Lea las siguientes advertencias antes de usar este equipo.**



**LEA EL MANUAL**

Antes de operar los equipos de acabado, lea y comprenda toda la información de seguridad, operación y mantenimiento incluida en el manual de operaciones.



**USE GAFAS PROTECTORAS**

No usar gafas protectoras con resguardos laterales puede ocasionar lesiones graves en los ojos o ceguera.



**DESACTIVE, DESCONECTE Y BLOQUEE TODAS LAS FUENTES DE ENERGÍA DURANTE EL MANTENIMIENTO.**

No desactivar, desconectar ni bloquear todas las fuentes de suministro de energía antes de realizar operaciones de mantenimiento en los equipos puede ocasionar lesiones graves o la muerte.



**CAPACITACIÓN DE LOS OPERADORES**

Todos los miembros del personal deben ser capacitados antes de operar los equipos de acabado.



**PELIGRO DE USO INDEBIDO DEL EQUIPO**

El uso indebido del equipo puede ocasionar averías, mal funcionamiento o activación imprevista lo que a su vez puede producir lesiones graves.



**MANTENGA LAS DEFENSAS DEL EQUIPO EN SU LUGAR**

No operar los equipos si los dispositivos de seguridad fueron retirados.



**PELIGRO DE PROYECTILES**

Usted puede resultar lesionado por líquidos o gases liberados bajo presión o por desechos que vuelan.



**PELIGRO DE PUNTOS DE PRESIÓN**

Las partes móviles pueden aplastar y ocasionar cortaduras. Puntos de presión son básicamente todas las áreas donde haya partes móviles.



**ADVERTENCIA DE MARCAPASOS**

Usted está en la presencia de campos magnéticos los cuales pueden interferir con el funcionamiento de ciertos marcapasos.



**EQUIPOS AUTOMÁTICOS**

Los equipos automáticos pueden activarse súbitamente sin advertencia.



**INSPECCIONE LOS EQUIPOS DIARIAMENTE**

Inspeccione los equipos diariamente para verificar que no tengan piezas gastadas o rotas. No opere los equipos si no está seguro de la condición de los mismos.



**NUNCA MODIFIQUE EL EQUIPO**

No modifique el equipo sin la autorización escrita del fabricante.



**SEPA CÓMO Y DÓNDE DESACTIVAR LOS EQUIPOS EN CASO DE EMERGENCIA.**



**PROCEDIMIENTO DE LIBERACIÓN DE PRESIÓN**

Siga siempre el procedimiento de liberación de presión que aparece en el manual de instrucciones del equipo.



**PELIGRO DE RUIDO**

Usted puede resultar lesionado por el ruido muy fuerte. Podría necesitar protección de los oídos al usar este equipo.



**CONSIDERACIONES DE ALTA PRESIÓN**

La alta presión puede ocasionar lesiones graves. Antes de reparar o dar mantenimiento a los equipos, alivie toda la presión. El atomizado de la pistola pulverizadora, las filtraciones de la manguera o componentes averiados pueden inyectar fluido en su organismo y ocasionar lesiones sumamente graves.



**CARGA ESTÁTICA**

Los fluidos pueden generar una carga estática que debe ser disipada mediante la debida conexión a tierra del equipo, los objetos que van a ser atomizados y todos los demás objetos electroconductores en el área de aplicación. La conexión a tierra indebida o las chispas pueden ocasionar condiciones de peligro y producir incendios, explosiones o descargas eléctricas y otras lesiones graves.




**ADVERTENCIA DE PROP 65**

ADVERTENCIA: Este producto contiene sustancias químicas que según información en poder del Estado de California producen cáncer, defectos de nacimiento y otros daños al sistema reproductor.

**ES RESPONSABILIDAD DEL EMPLEADOR SUMINISTRAR ESTA INFORMACIÓN AL OPERADOR DEL EQUIPO. PARA MÁS INFORMACIÓN DE SEGURIDAD ACERCA DE LOS EQUIPOS, CONSULTE EL FOLLETO DE SEGURIDAD GENERAL DE LOS EQUIPOS (77-5300).**

Nota: Lea y siga todas las instrucciones y precauciones de seguridad antes de usar este equipo.

Descripciones del producto   
 Conjuntos de bomba MX3042  
 Conjuntos de bomba MX3536

Este producto está diseñado para ser usado con materiales a base de solventes e hidrotransportados. Aptos para uso en las Zonas 1 y 2, Nivel de protección: II 2 G X

Fabricante: **Finishing Brands (UK) Limited:**  
 Ringwood Road, Bournemouth  
 Dorset BH11 9LH. UK

**Declaración de conformidad para la CEE**

Nosotros: Finishing Brands declara que el anterior producto satisface los requisitos de la Directiva de Seguridad de Maquinarias 2006/42/CE y la Directiva ATEX 94/9/CE de conformidad con los siguientes documentos y normativa armonizada reglamentarios:

Normativa de Seguridad de Maquinarias EN ISO 12100, EN ISO 4413, EN ISO 4414 y EN12621  
 Prevención de Explosiones en Atmósferas Potencialmente Explosivas EN 1127-1  
 Equipos no Eléctricos para Atmósferas Potencialmente Explosivas BS EN 13463-1  
 Seguridad Construccional para Atmósferas Potencialmente Explosivas EN 13463-5

Siempre y cuando se hayan cumplido todas las condiciones de uso seguro indicadas en los manuales del producto y que el equipo final en el que se instala este producto se haya reevaluado como se requiere, de acuerdo con los requisitos esenciales de salud y seguridad de la normativa, directivas e instrumentos reglamentarios anteriores y además se haya instalado de acuerdo con los códigos de prácticas locales aplicables.

  
 D. Smith, Gerente general  
 21st April 2014

Binks se reserva el derecho a modificar las especificaciones del equipo sin previo aviso.

**⚠ ADVERTENCIA**



**LA ALTA PRESIÓN PUEDE OCASIONAR LESIONES GRAVES SI EL EQUIPO SE INSTALA O USA INCORRECTAMENTE — LEA, COMPRENDA Y CUMPLA TODAS LAS ADVERTENCIAS E INSTRUCCIONES CONTENIDAS EN ESTE MANUAL.**

**INSTALE, OPERE O REPARE Y DÉ MANTENIMIENTO A ESTE EQUIPO SÓLO DESPUÉS DE HABER COMPRENDIDO CLARAMENTE TODAS LAS INSTRUCCIONES.**

Es responsabilidad del empleador poner esta información en manos del operador.

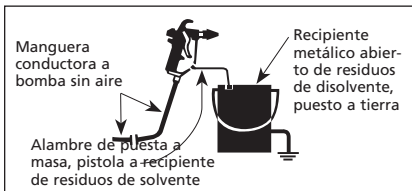
**⚠ ADVERTENCIA**  
Prácticas peligrosas o inseguras que pueden ocasionar lesiones personales graves, la muerte o daño substancial a la propiedad.

**⚠ PRECAUCIÓN**  
Prácticas peligrosas o inseguras que pueden ocasionar lesiones personales leves, la muerte, daño al producto o a la propiedad.

**NOTA**  
Información importante de instalación, operación o mantenimiento.

**EVITE LAS DESCARGAS ESTÁTICAS**

1. Use la manguera conductora **INALÁMBRICA** de Binks en todas las operaciones de atomización sin aire. Asegúrese de que la pistola y la manguera tengan continuidad.
2. Asegúrese de que la bomba esté puesta a tierra. **NUNCA** opere la unidad cuando esté en una plataforma sin puesta a tierra.
3. Al purgar o limpiar con un solvente combustible, use siempre un recipiente metálico abierto para recibir los residuos del solvente. Ponga a tierra el receptáculo del solvente.
4. **SIEMPRE** quite la punta pulverizadora al purgar el sistema. Opere la bomba con la presión más baja posible.



**ADVERTENCIAS GENERALES**

1. **NUNCA** deje una pulverizadora presionizada desatendida
2. Periódicamente inspeccione todas las mangueras para verificar que no tengan filtraciones y/o abrasiones y apriete todas las conexiones antes de usar el producto. **NO TRATE DE REPARAR** una manguera defectuosa. **REEMPLÁCELA** con otra manguera conductora.
3. **SIEMPRE** alivie la presión del sistema poniendo la válvula de desviación en **BYPASS** o activando la pistola pulverizadora antes de desensamblar cualquier componente.

**PRECAUCIÓN**  
Nunca guarde en la bomba agua desionizada, destilada, desalinizada por ósmosis inversa o de grado puro. Estos fluidos pueden causar corrosión.


**NOTA**  
BINKS no es responsable por la aplicación indebida de las bombas. Para asistencia con la aplicación, consulte con su representante de BINKS.

**NOTA**  
Asegúrese de que todos los fluidos, solventes y sustancias para rellenar que se van a utilizar, sean compatibles química y físicamente con las piezas humedecidas de la bomba. Consulte con su representante de BINKS para obtener información acerca de los materiales de construcción de la bomba y compatibilidad. Consulte con el fabricante de fluidos para obtener información acerca de los fluidos que se van a usar.

**REFACCIONES**

La bomba está diseñada para utilizar piezas autorizadas únicamente. Al utilizar esta bomba con piezas que no cumplen con las especificaciones mínimas ni con los dispositivos de seguridad de Binks, el usuario asume todos los riesgos y responsabilidades.

**⚠ ADVERTENCIA**  
**PRESIÓN DE AIRE EXCESIVA**  
Puede ocasionar lesiones personales, daño a la bomba o daño a la propiedad. No sobrepase la presión del aire de entrada máxima indicada en la placa del modelo del motor.

| PELIGRO   | CAUSA   | MEDIDAS PREVENTIVAS   |
|---|---|---|
| <p><b>EXPLOSIÓN</b></p>  | <p><b>ELECTRICIDAD ESTÁTICA</b><br/>                     Uso de este equipo en una atmósfera potencialmente explosiva.<br/>                     Los vapores provenientes de líquidos inflamables pueden prender fuego o explotar debido a descargas de electricidad estática.</p> | <ol style="list-style-type: none"> <li>1. Si se instala este equipo en una atmósfera potencialmente explosiva, verifique que la categoría ATEX (Atmósfera Explosiva) del equipo y los regímenes de temperatura cumplan con los requisitos para el área zonificada.</li> <li>2. Verifique la continuidad eléctrica del suministro de aire a tierra—sno debe ser mayor que 106 V.</li> <li>3. Conecte eléctricamente a tierra todos los equipos metálicos. No debe ser mayor que 1 V.</li> </ol>  |
| <p><b>CONDICIONES ESPECIALES PARA EL USO SEGURO REQUERIDAS POR LA CERTIFICACIÓN ATEX</b></p>              | <p>La presurización excesiva del equipo puede ocasionar la falla del equipo o una lesión.<br/>                     Use un medio de lubricación resistente a la carburación.<br/>                     La operación o mantenimiento indebidos pueden crear un peligro.</p>          | <ol style="list-style-type: none"> <li>1. No sobrepase las presiones de trabajo máximas ni la velocidad del motor especificadas en este manual.</li> <li>2. Sólo se deben fijar al equipo mangueras disipadoras de electricidad estáticas o conductoras de suministro de aire conectadas a la impedancia terminal del suministro de aire.</li> <li>3. Los suministros de aire (compresores, etc.) se deben colocar en un área no peligrosa con un filtro en el sistema de entrada de aire para evitar el ingreso de polvo o materias foráneas similares en las piezas donde ocurre la compresión.</li> <li>4. Use un medio de lubricación resistente a la carburación y con una temperatura de auto ignición de más de 185°C (365°F) para equipos T4.</li> <li>5. El usuario debe asegurarse de que todas las piezas metálicas del equipo estén debidamente conectadas eléctricamente a tierra. No debe ser mayor que 1 V.</li> </ol> |

## PUESTA EN MARCHA Y OPERACIÓN

### CÓMO PONER A TIERRA LA BOMBA BINKS

#### **⚠ ADVERTENCIA**

Para evitar que la carga estática prenda fuego al material de rociado inflamable, la bomba BINKS se debe conectar a tierra antes de ponerse en marcha. Con la bomba se incluye un cable de puesta a tierra.

1. Sujete el cable de puesta a tierra al terminal en el filtro de alta presión o en el motor de aire.
2. Conecte el otro extremo del cable de puesta a tierra a un dispositivo de conexión a tierra adecuado (por ej., una barra de puesta a tierra).

### CÓMO PREPARARSE PARA PONER EN MARCHA LA BOMBA BINKS

Proceda de la siguiente forma:

1. Revise que la cubeta para solvente esté llena hasta el nivel mostrado. Si fuese necesario, agregue el material a la cubeta para solvente. (Pida la pieza No. 0114-009433 para pintura a base de solventes y la pieza No. 0114-014871 para pintura al agua.)
2. Fije una manguera de fluido adecuada al accesorio de salida en el filtro de alta presión.

#### **⚠ ADVERTENCIA**

La manguera de fluido provista por BINKS se identifica con la presión de trabajo máxima permitida y la presión interna admisible. El valor menor --la presión de trabajo máxima permitida-- debe ser mayor que la presión de trabajo máxima permitida de la bomba.

3. Conecte la pistola —diseñada al menos para la presión de trabajo máxima permitida de la bomba— a la manguera de fluido.
4. Asegúrese de que la válvula esférica en la unidad de control de aire esté cerrada.
5. Conecte el suministro de aire comprimido en la conexión de entrada de aire.

6. La bomba está equipada con un regulador de presión de aire. Antes de poner en funcionamiento la línea de presión, alivie el regulador de presión desatornillando completamente el mando de control. Posteriormente, haga girar el mando de control en sentido horario hasta que el manómetro en el regulador indique la presión requerida.

#### **NOTA**

La bomba está equipada con una válvula de seguridad de presión de aire.

### CÓMO ENJUAGAR LA BOMBA BINKS

#### **⚠ ADVERTENCIA**

Use gafas de protección.

Cada bomba BINKS es sometida a prueba con agua durante la inspección final y enjuagada a fondo con aceite preservativo no gomoso. Con el proceso de enjuague, es posible que la humedad residual de la emulsión acuosa quede en la bomba.

Antes de poner en marcha la unidad por primera vez, se debe usar un solvente adecuado para enjuagar a fondo los restos del líquido preservante y las impurezas inevitables que se introducen durante el ensamblaje del equipo.

Proceda de la siguiente forma:

1. Prepare la bomba BINKS para su puesta en marcha como se indicó anteriormente.
2. Cierre la válvula esférica de alta presión en el filtro de fluido.
3. Sumerja el kit de sifón en el tanque de solvente.
4. Inserte la manguera de reflujo en el tanque de solvente. Abra la válvula esférica de alta presión en el filtro de fluido.
5. Abra la válvula esférica y fije el regulador de aire en aproximadamente 1 bar (14.5 psi). El kit del sifón aspira ahora el solvente. El solvente retorna al tanque de solvente a través del filtro de alta presión, la válvula esférica de alta presión y la manguera de reflujo.

6. Quite la punta de rociado de la pistola y apunte la pistola hacia el tanque. Desenganche la palanca de seguridad de la pistola, active la pistola y cierre la válvula esférica de alta presión. El solvente retornará al tanque ahora a través del filtro de alta presión, la manguera de fluido y la pistola. El tiempo de enjuague dependerá de la longitud de las líneas del material y la solubilidad del material de rociado. Recomendamos un reflujo breve con solvente "fresco".

7. Suelte el disparador de la pistola.

8. Aumente lentamente la presión en el regulador hasta la presión de trabajo máxima revisando y probando simultáneamente si todas las líneas y tornillos y clavijas de conexión están bien sellados. Si hubiese cualquier filtración en el sistema, apague la bomba BINKS de inmediato. No vuelva a poner en marcha la bomba BINKS hasta haber reparado todas las filtraciones.

9. Reduzca la presión de aire en el regulador de aire otra vez y cierre la válvula esférica.

10. Asegúrese de que la manguera de reflujo siga orientada hacia el tanque de solvente. Abra con cuidado la válvula esférica de alta presión para reducir la presión en la manguera de fluido y en el filtro de alta presión.

11. Apunte la pistola hacia el tanque de solvente y active el disparador para reducir cualquier presión que pueda haber quedado en la manguera de fluido y en la pistola.

#### **⚠ PRECAUCIÓN**

Si está trabajando con materiales hidrotransportados, debe enjuagarse a fondo nuevamente con agua la bomba BINKS antes de ponerla en marcha.

### BOMBA DE LAVADO ANTES DE LA OPERACIÓN

La bomba fue probada fábrica con aceite ligero. Algunos residuo se dejó para proteger las piezas de la bomba. Si esto pudiera contaminar el fluido que está bombeando, lavarlos a fondo con un disolvente compatible. Para arrancar la bomba, siga el procedimiento descrito en la sección siguiente, Inicio y ajuste de la bomba.

(Continúa en la siguiente página)



## PUESTA EN MARCHA Y OPERACIÓN

### NOTE

Lavar la bomba con un solvente compatible con el material a bombear. La bomba fue probado con aceite en la fábrica.

### INICIO

1. Prepare la bomba BINKS para ponerla en marcha como se indicó anteriormente y si fuese necesario, enjuague la bomba.
2. Cierre la válvula esférica de alta presión en el filtro de fluido.
3. Sumerja el kit del sifón en el material de rociado que va a usar.
4. Ponga la manguera de reflujo en el tanque. Después abra la válvula esférica de alta presión.
5. Abra la válvula esférica para el suministro de aire comprimido y use el regulador de presión para fijar el suministro de aire comprimido en 1 bar (14.5 psi). La bomba aspirará ahora el material de rociado. El material de rociado retorna al tanque a través del filtro de alta presión, la válvula esférica de alta presión y el tubo de retorno.
6. Quite la punta de rociado de la pistola y apunte la pistola hacia el tanque. Desenganche la palanca de seguridad en la pistola. Active el disparador de la pistola y cierre la válvula esférica de alta presión. El material de rociado retornará ahora al tanque a través del filtro de alta presión, la manguera de fluido y la pistola.
7. Suelte el disparador de la pistola y fije la presión de trabajo en el regulador.

### NOTA

Antes de iniciar cualquier trabajo de recubrimiento, recomendamos una prueba de rociado (por ej., sobre papel o madera). Sólo si los resultados de la prueba son los deseados debe usted comenzar a recubrir el objeto real.

### SUSPENSIONES DE TRABAJO

#### ⚠ PRECAUCIÓN

Si trabaja con material de rociado 2-K, debe advertir el tiempo de empleo útil de la mezcla y observarlo con precisión. Dentro de este tiempo se debe limpiar y enjuagar cuidadosamente la unidad con el solvente recomendado. No deben quedar residuos en la bomba, el filtro de alta presión ni en la pistola.

#### ⚠ PRECAUCIÓN

Cuando se detiene el trabajo, la palanca de seguridad de la pistola debe estar enganchada.

Para suspensiones de trabajo de entre 10 y 30 minutos, sírvase proceder de la siguiente forma:

#### ⚠ ADVERTENCIA

Use gafas de protección.

1. Enganche la palanca de seguridad en la pistola.
2. Interrumpa el suministro de aire comprimido cerrando la válvula esférica.
3. Abra brevemente la válvula esférica de alta presión, teniendo cuidado de que la manguera de reflujo no esté orientada hacia otras personas ni hacia usted mismo hasta que se haya reducido la presión. Después cierre la válvula esférica de alta presión nuevamente.
4. Limpie los residuos de material de rociado del exterior de la boquilla de rociado.

### APAGADO

#### ⚠ PRECAUCIÓN

Una vez completado el trabajo, la bomba BINKS se debe limpiar a fondo. Bajo ninguna circunstancia debe permitir que los residuos de pintura se sequen en la unidad. Para limpiar la bomba, use un solvente adecuado para el material de rociado.

#### ⚠ ADVERTENCIA

Use gafas de protección.

1. Cierre la válvula esférica para el suministro de aire comprimido.
2. Asegúrese de que la manguera de flujo continúe orientada hacia el tanque del material de rociado. Abra cuidadosamente la válvula esférica de alta presión para reducir la presión en la bomba y en el filtro de alta presión.
3. Quite la punta de rociado de la pistola.
4. Apunte la pistola hacia el tanque del material de rociado y active el disparador para reducir cualquier presión que pueda haber quedado en la manguera de fluido y en la pistola.

5. Enganche la palanca de seguridad en la pistola.
6. Quite el kit del sifón del material de rociado.

### CÓMO LIMPIAR SU BOMBA BINKS

#### ⚠ PRECAUCIÓN

No permita que el material de rociado o el solvente empapen el suelo.

#### ⚠ ADVERTENCIA

Use gafas de protección.

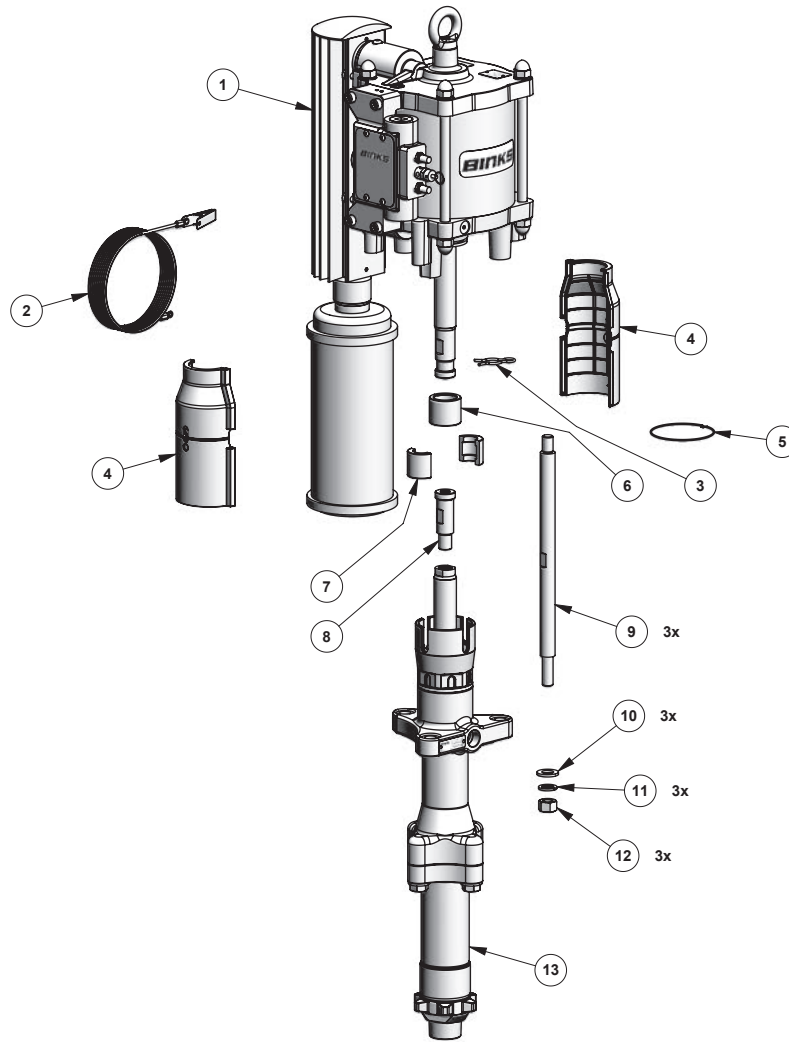
1. Limpie la bomba y el kit del sifón desde el exterior. Sumerja el sistema de succión en el tanque de solvente.
2. Limpie el sistema de punta de fluido / / punta como se describe en el boletín de servicio de la pistola de rociado. Recomendamos empapar la punta de fluido en el solvente.
3. Desenganche la palanca de seguridad de la pistola sin la punta de fluido. Active la pistola. Cierre la válvula esférica de alta presión. Fije la presión de entrada de aire en 1 bar (14.5 psi) y abra lentamente la válvula esférica. Deje que el solvente fluya a través del sistema para eliminar con el enjuague el material de rociado.
4. Deje que el solvente fluya a través del sistema por unos minutos hasta que el solvente fluya claro a través de la pistola. Cierre la válvula esférica y enganche la palanca de seguridad de la pistola.
5. Limpie la pistola desde el exterior y revise el filtro en el mango (si está montado).
6. Limpie el elemento filtrante del filtro de alta presión.
7. Limpie el filtro del kit de sifón.
8. Recomendamos mantener la bomba llena de líquido.

### NOTA

Si no se va a usar la bomba por períodos prolongados, recomendamos purgar el sistema con un aceite liviano, sin silicona.

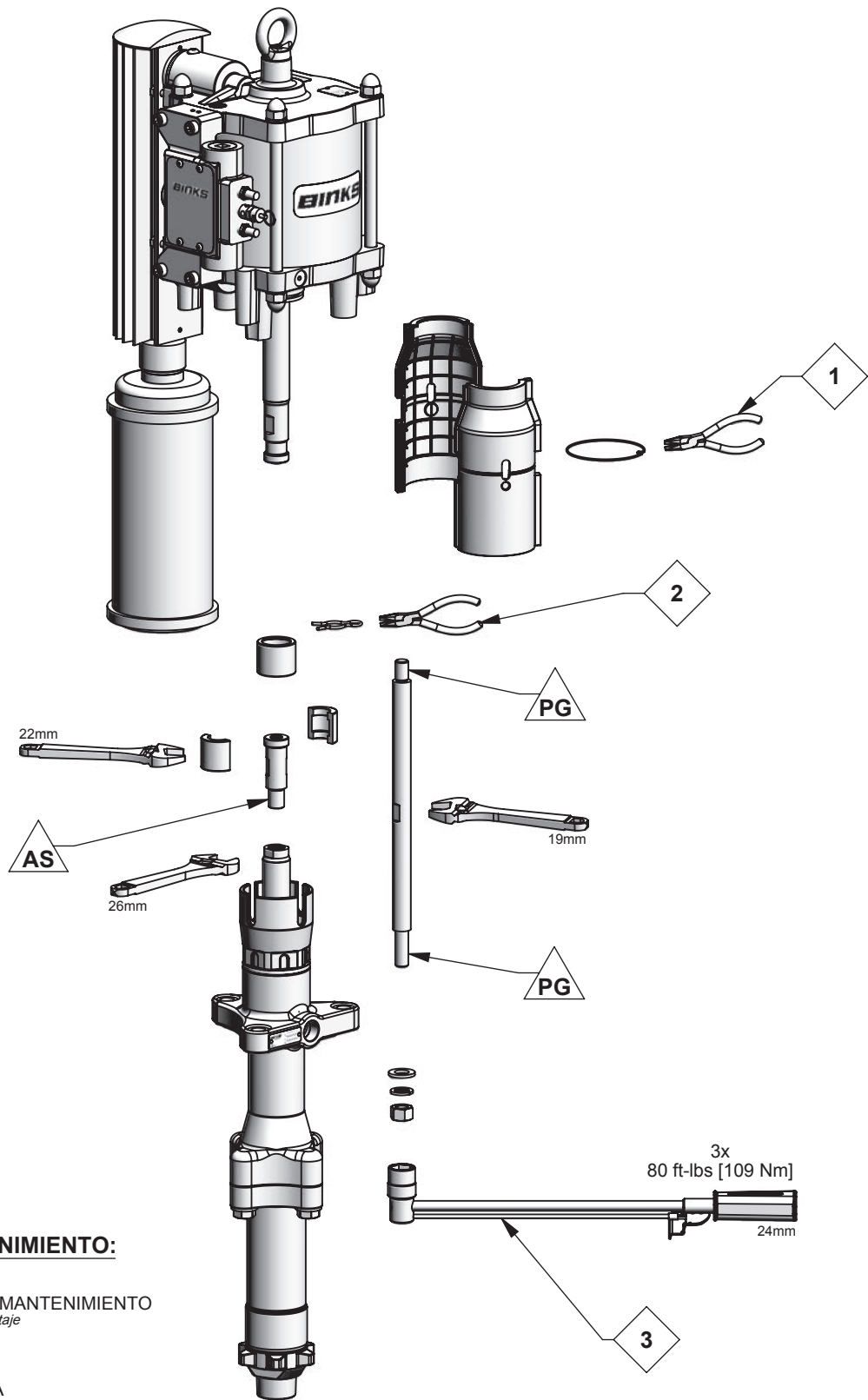


CONJUNTOS DE BOMBA DE TRASEGAR MX3042 Y MX3536



| NÚM. DE ART. | NÚM. DE PIEZA | DESCRIPCIÓN  | MX3042 CANT. | MX3536 CANT. | MANUAL DE SERVICIO |
|--------------|---------------|--|--------------|--------------|--------------------|
| 1            | AX200L-7      | CONJUNTO DE MOTOR DE AIRE AX200L (Desconexión rápida, 7 BAR) | 1            | –            | 77-2958            |
|              | AX200L-8      | CONJUNTO DE MOTOR DE AIRE AX200L (Desconexión rápida, 8 BAR) | –            | 1            |                    |
| 2            | 0114-016243   | KIT DE CABLE DE PUESTA A TIERRA                              | 1            | 1            |                    |
| 3            | 0115-010450   | SUJETADOR DE HORQUILLA                                       | 1            | 1            |                    |
| 4            | 193546        | RESGUARDO DE LA BOMBA  | 2            | 2            |                    |
| 5            | 193543        | SUJETADOR  | 1            | 1            |                    |
| 6            | 0115-010448   | DISPOSITIVO DE RETENIDA DE COLLAR DIVIDIDO                   | 1            | 1            |                    |
| 7            | 0115-010445   | COLLAR DIVIDIDO DEL VÁSTAGO DEL MOTOR                        | 1            | 1            |                    |
| 8            | 0115-010447   | ADAPTADOR DE DESCONEXIÓN RÁPIDA DEL VÁSTAGO DE LA BOMBA      | 1            | 1            |                    |
| 9            | 193813        | BARRA DE ACOPLAMIENTO  | 3            | 3            |                    |
| 10           | 165097        | ARANDELA PLANA   | 3            | 3            |                    |
| 11           | 20-6832       | ARANDELA DE CERRADURA DE MUELLE                              | 3            | 3            |                    |
| 12           | 20-6834       | TUERCA HEXAGONAL   | 3            | 3            |                    |
| 13           | FX30PU-CAK    | CONJUNTO DE BOMBA DE FLUIDO FX30 (PTFE/UHMW)                 | 1            | –            | 77-2955            |
|              | FX35PU-CAK    | CONJUNTO DE BOMBA DE FLUIDO FX35 (PTFE/UHMW)                 | –            | 1            |                    |

CONJUNTOS DE BOMBA DE TRASEGAR MX3042 Y MX3536 – MANTENIMIENTO



**SÍMBOLOS DE MANTENIMIENTO:**

**#** = ORDEN PARA EL MANTENIMIENTO  
*Revertir para el montaje*

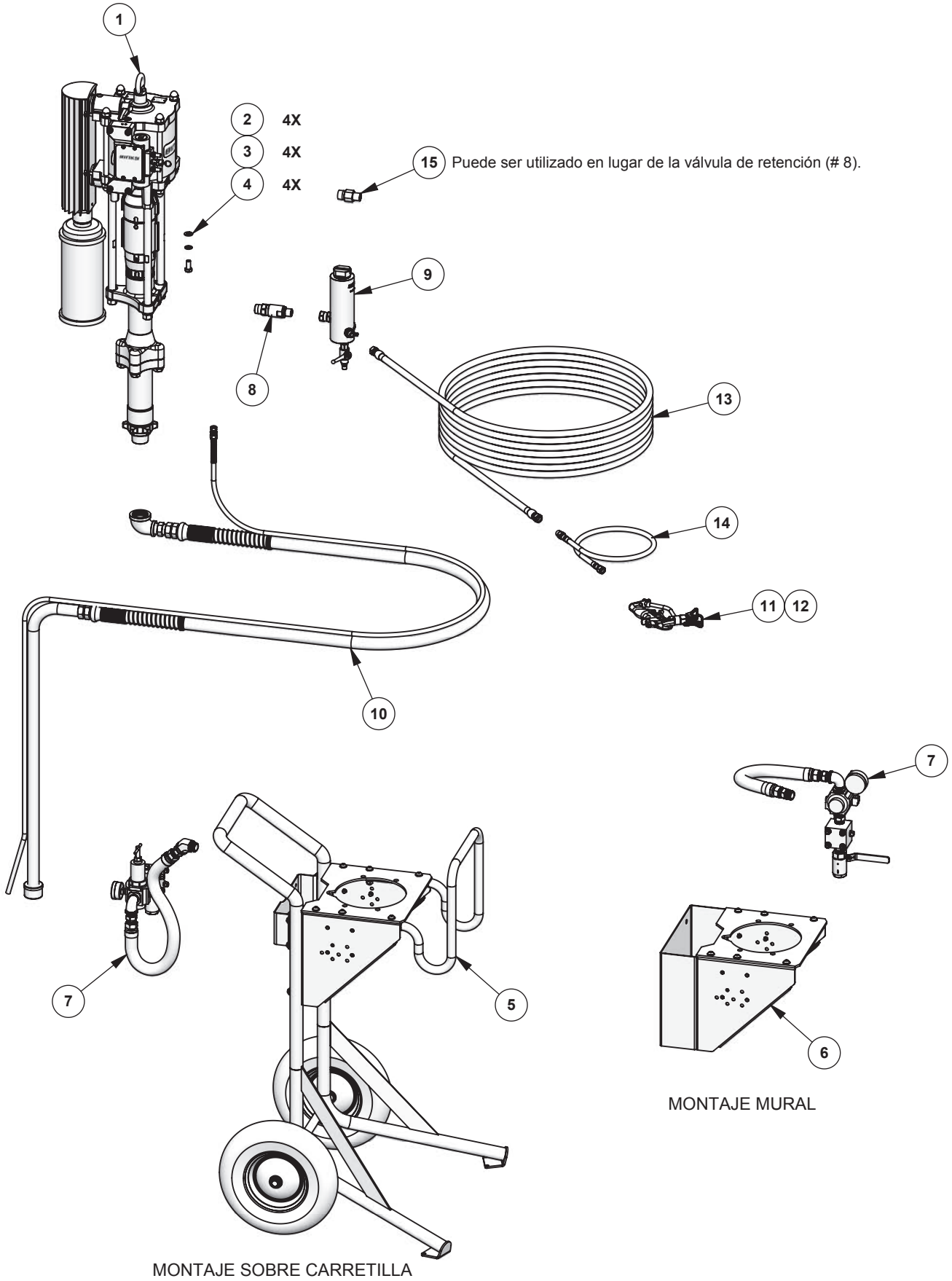
**PG** = VASELINA/GRASA

**AS** = ANTI-SEIZE (antiadherente)

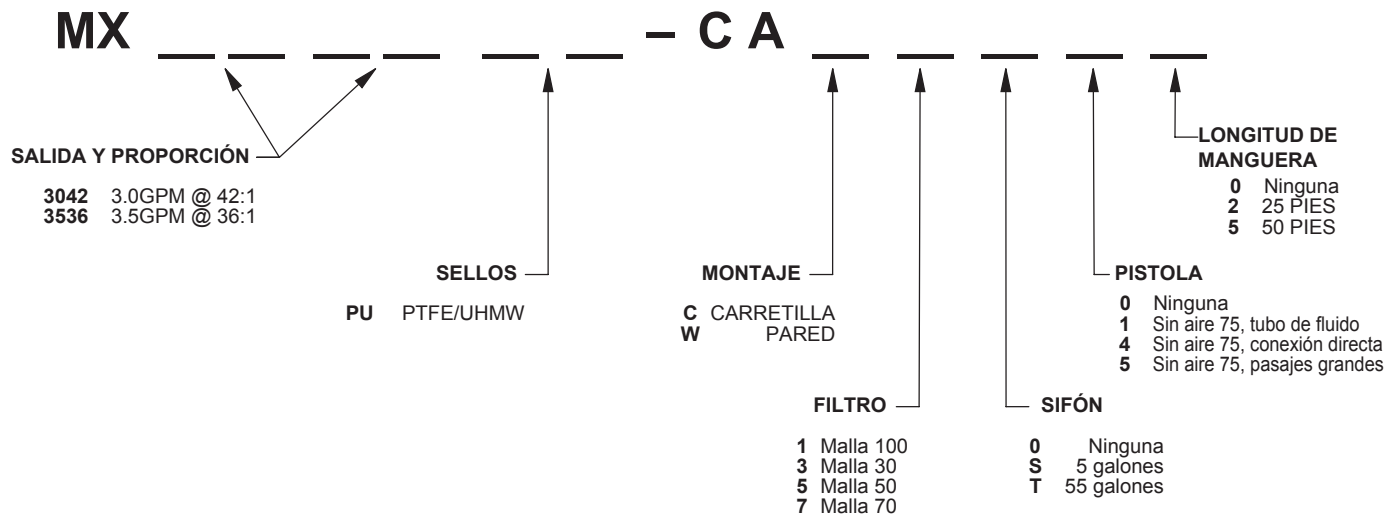
## MX3042 Y MX3536 CONJUNTOS DE BOMBA DE TRASEGAR – LOCALIZACIÓN Y REPARACIÓN DE AVERÍAS

| <b>PROBLEMA</b>   | <b>CAUSA</b>   | <b>SOLUCIÓN</b>   |
|---|--|---|
| <b>La bomba no arranca.</b>   | Falta de aire comprimido.<br>Punta rociadora bloqueada.  | Revise el suministro de aire comprimido.<br>Limpie o cambie la punta rociadora.   |
| <b>Operación irregular del motor de aire, el motor de aire se detiene</b> | Unidades del soporte cónico gastadas.<br>Unidad de bobina y manguito gastada o sucia.          | Reemplace las unidades del soporte cónico.<br>Limpie o reemplace la unidad de bobina y manguito, si fuese necesario.                          |
| <b>Escape de aire continuo del tubo de exhaustación</b>                   | Unidades del soporte cónico gastadas.<br>Sello del émbolo gastado.<br>Diafragma gastado.       | Reemplace las unidades del soporte cónico.<br>Reemplace el sello del émbolo.<br>Reemplace el diafragma.                                       |
| <b>Material en la cubeta para solvente</b>                                | Empaques superiores gastados o sucios.   | Limpie o cambie los empaques superiores si fuese necesario  |
| <b>La bomba no se detiene en el recorrido de descenso</b>                 | Bola indicadora inferior gastada o sucia.  | Limpie o cambie las piezas si fuese necesario.  |
| <b>La bomba no se detiene en el recorrido de ascenso</b>                  | Bola indicadora superior gastada o sucia. Empaques inferiores gastados o sucios.               | Limpie o cambie las piezas si fuese necesario.  |
| <b>La bomba funciona irregularmente</b>                                   | Kit de sifón bloqueado.<br>Filtro o tamizador de entrada bloqueado.<br>Nivel bajo de material. | Reemplace o limpie el kit de sifón.<br>Reemplace o limpie el filtro o tamizador de entrada.<br>Reemplace o rellene el recipiente de material. |
| <b>La bomba funciona, pero no hay salida</b>                              | Conexión floja entre la bomba y el kit de sifón.<br>Bola inferior atascada.                    | Revise que todas las conexiones estén bien apretadas.<br><br>Limpie o cambie las piezas si fuese necesario.                                   |

MX3042 Y MX3536 – SISTEMAS



## MX3042 Y MX3536 – SISTEMAS

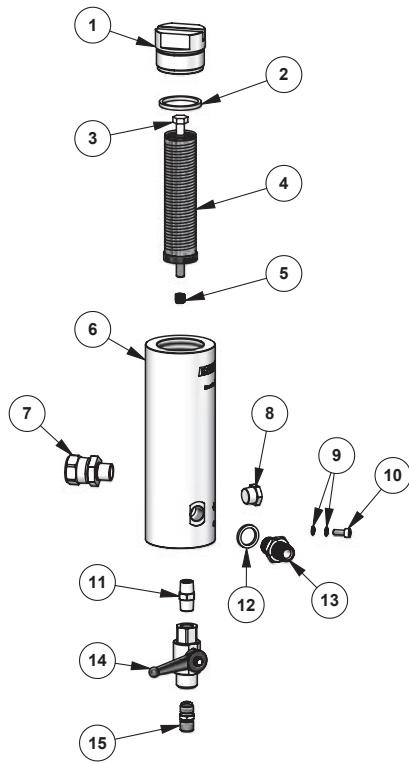


## LISTA DE COMPONENTES DEL SISTEMAS MX3070 Y MX3560

| NÚM. DE ART. | NÚM. DE PIEZA | DESCRIPCIÓN   | CANT.                    | MANUAL DE SERVICIO |
|--------------|---------------|---|--------------------------|--------------------|
| 1            | MX3042PU-CAK  | CONJUNTO DE BOMBA DE TRASEGAR MX3042 (PTFE/UHMW)                              | 1                        |                    |
|              | MX3536PU-CAK  | CONJUNTO DE BOMBA DE TRASEGAR MX3536 (PTFE/UHMW)                              | 1                        |                    |
| 2            | 0115-010551   | ARANDELA PLANA M12  | 4                        |                    |
| 3            | 0115-010499   | ARANDELA DE CERRADURA DE MUELLE M12   | 4                        |                    |
| 4            | 0115-010449   | TORNILLO DE CABEZA HEXAGONAL M12 X 25 mm                                      | 4                        |                    |
| 5            | 41-28280-200  | CONJUNTO DE LA CARRETILLA   | 1 SI EL MONTAJE = C      |                    |
| 6            | 104116        | CONJUNTO DEL SOPORTE MURAL  | 1 SI EL MONTAJE = W      |                    |
| 7            | 41-28190      | CONJUNTO DEL CONTROL DE AIRE (CARRETILLA)                                     | 1 SI EL MONTAJE = C      |                    |
|              | 41-28200      | CONJUNTO DEL CONTROL DE AIRE (PARED)  | 1 SI EL MONTAJE = W      |                    |
| 8            | 193791        | CONJUNTO DE VÁLVULA ANTIRRETORNO  | 1                        |                    |
| 9            | 41-28275-100  | ACERO INOXIDABLE CONJUNTO DEL FILTRO (MALLA 100)                              | 1 SI EL FILTRO = 1       |                    |
|              | 41-28275-30   | ACERO INOXIDABLE CONJUNTO DEL FILTRO (MALLA 30)                               | 1 SI EL FILTRO = 3       |                    |
|              | 41-28275-50   | ACERO INOXIDABLE CONJUNTO DEL FILTRO (MALLA 50)                               | 1 SI EL FILTRO = 5       |                    |
|              | 41-28275-70   | ACERO INOXIDABLE CONJUNTO DEL FILTRO (MALLA 70)                               | 1 SI EL FILTRO = 7       |                    |
| 10           | 41-28270-5    | KIT DE SIFÓN DE 5 GALONES   | 1 SI EL SIFON = S        | 77-2126            |
|              | 41-28270-55   | KIT DE SIFÓN DE 55 GALONES  | 1 SI EL SIFON = T        |                    |
| 11           | 0811-7500-1   | CONJUNTO DE PISTOLA PULVERIZADORA SIN AIRE 75                                 | 1 SI LA PISTOLA = 1      | 77-2950            |
|              | 0811-7500-2   | CONJUNTO DE PISTOLA PULVERIZADORA SIN AIRE 75 (CONEXIÓN DIRECTA)              | 1 SI LA PISTOLA = 4      |                    |
|              | 0811-7500-3   | CONJUNTO DE PISTOLA PULVERIZADORA SIN AIRE 75 (PASAJES GRANDES)               | 1 SI LA PISTOLA = 5      |                    |
| 12           | 72-2332       | ALTA PRESIÓN ADAPTADOR GIRATORIO  | 1 SI LA PISTOLA = 1      |                    |
| 13           | 71-4860       | MANGUERA DE FLUIDO DE ALTA PRESIÓN, 3/8 DI X 3/8 NPS (H) X 25 PIES            | 1 SI LA MANGUERA = 2     |                    |
|              | 71-4861       | MANGUERA DE FLUIDO DE ALTA PRESIÓN, 3/8 DI X 3/8 NPS (H) X 50 PIES            | 1 SI LA MANGUERA = 5     |                    |
| 14           | 71-4782       | MANGUERA DE FLUIDO DE ALTA PRESIÓN, 1/4 DI X 1/4 NPS (H) 3/8 NPT (M) X 5 PIES | 1 SI LA MANGUERA = 2 o 5 |                    |
| 15           | 193332        | BOQUILLA DM, 3/4" NPT X M22   | 1                        |                    |

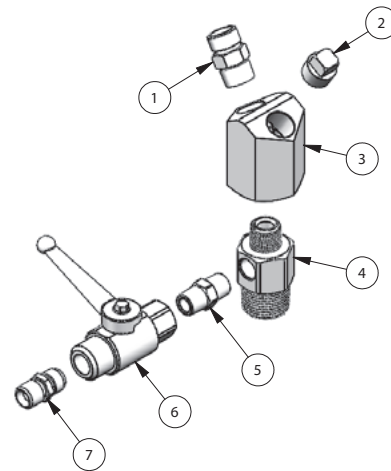
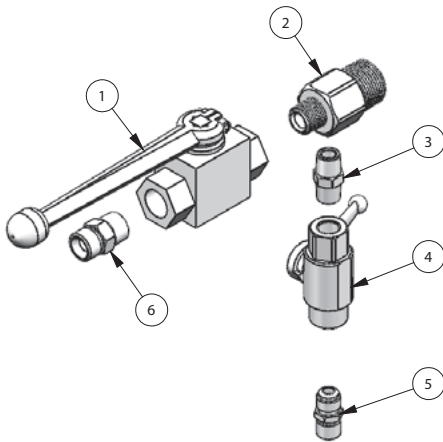
## CONJUNTO DE FILTRO DE FLUIDO DE ACERO INOXIDABLE 41-28275

### LISTA DE PIEZAS



| NÚM. DE ART. | NÚM. DE PIEZA | DESCRIPCIÓN                           | 41-28275-30 CANT. | 41-28275-50 CANT. | 41-28275-70 CANT. | 41-28275-100 CANT. |
|--------------|---------------|---------------------------------------|-------------------|-------------------|-------------------|--------------------|
| 1            | 193662        | CAPUCHÓN DEL FILTRO                   | 1                 | 1                 | 1                 | 1                  |
| 2            | 193665        | ALOJAMIENTO DEL OBTURADOR             | 1                 | 1                 | 1                 | 1                  |
| 3            | 193663        | PERNOS SUJETADORES, M8 x 160          | 1                 | 1                 | 1                 | 1                  |
| 4            | 0114-014917   | FILTRO DE MALLA 30 (AZUL)             | 1                 | -                 | -                 | -                  |
|              | 0114-014886   | FILTRO DE MALLA 50 (NARANJA)          | -                 | 1                 | -                 | -                  |
|              | 0114-014884   | FILTRO DE MALLA 70 (AMARILLO)         | -                 | -                 | 1                 | -                  |
|              | 0114-014883   | FILTRO DE MALLA 100 (NEGRO)           | -                 | -                 | -                 | 1                  |
| 5            | 193664        | ROSCAS HELICOIL® M8                   | 1                 | 1                 | 1                 | 1                  |
| 6            | 193661        | CUBIERTA DEL FILTRO                   | 1                 | 1                 | 1                 | 1                  |
| 7            | 0114-013638   | BOQUILLA ACOPLADORA GIRATORIA         | 1                 | 1                 | 1                 | 1                  |
| 8            | 192022        | TAPÓN, 3/8"                           | 1                 | 1                 | 1                 | 1                  |
| 9            | 0114-009743   | ARANDELA DE CERRADURA DE MUELLE       | 2                 | 2                 | 2                 | 2                  |
| 10           | 0114-014179   | TORNILLO DE CABEZA ENCASTRADA         | 1                 | 1                 | 1                 | 1                  |
| 11           | 0114-019090   | ACCESORIO DE DESCARGA                 | 1                 | 1                 | 1                 | 1                  |
| 12           | 0114-013952   | EMPAQUE                               | 1                 | 1                 | 1                 | 1                  |
| 13           | 41-28276      | ADAPTADOR MACHO, 3/8" BSPP x 3/8" NPT | 1                 | 1                 | 1                 | 1                  |
| 14           | 0114-019091   | VÁLVULA ESFÉRICA DE ALTA PRESIÓN      | 1                 | 1                 | 1                 | 1                  |
| 15           | 20-6843       | BOQUILLA DM, 1/4 NPS x BSPP           | 1                 | 1                 | 1                 | 1                  |

### KITS DE SALIDA – OPCIONAL (VENDIDO POR SEPARADO)

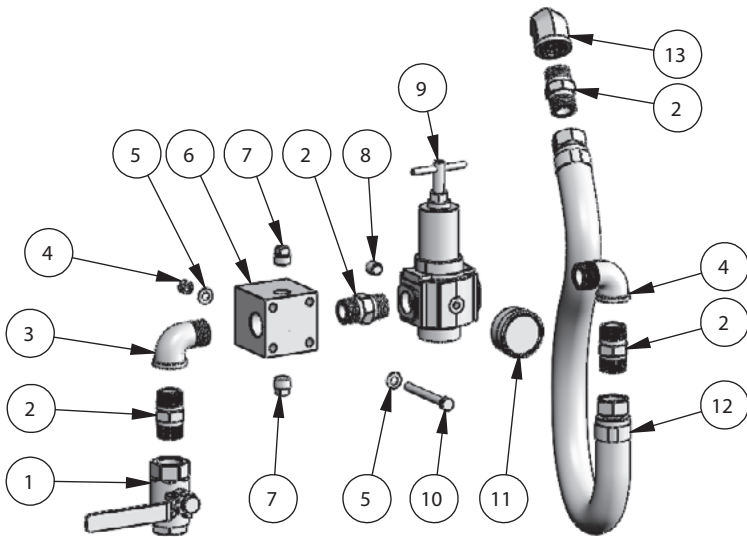


#### KIT DE VÁLVULA DE MASILLA 41-28291

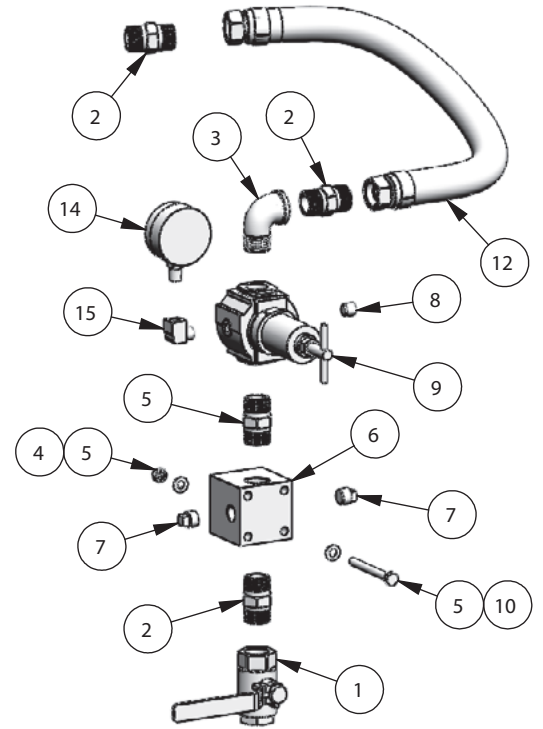
| NÚM. DE ART. | NÚM. DE PIEZA | DESCRIPCIÓN   | CANT. |
|--------------|---------------|---|-------|
| 1            | 73-202        | VÁLVULA ESFÉRICA, 3/8" NPT                              | 1     |
| 2            | 41-28266      | ACCESORIO DE SALIDA (3/4" NPT M X 3/8" NPT M X G1/4" F) | 1     |
| 3            | 0114-019090   | BOQUILLA DM, G1/4"                                      | 1     |
| 4            | 0114-019091   | VÁLVULA ESFÉRICA, G1/4", ACERO INOXIDABLE               | 1     |
| 5            | 20-6843       | BOQUILLA DM, 1/4" NPS x BSPP, ACERO INOXIDABLE          | 1     |
| 6            | 83-2055       | BOQUILLA DM, 3/8" NPT X NPS, ACERO INOXIDABLE           | 1     |

#### KIT DE SALIDA DOBLE 41-28294

| NÚM. DE ART. | NÚM. DE PIEZA | DESCRIPCIÓN   | CANT. |
|--------------|---------------|---|-------|
| 1            | 83-2055       | BOQUILLA DM, 3/8" NPT X NPS, ACERO INOXIDABLE           | 1     |
| 2            | 20-1592       | TAPÓN, CABEZA CUADRADA, 3/8" NPT                        | 1     |
| 3            | 193544        | SALIDA DUAL, 3/8" NPT                                   | 1     |
| 4            | 41-28266      | ACCESORIO DE SALIDA (3/4" NPT M X 3/8" NPT M X G1/4" F) | 1     |
| 5            | 0114-019090   | BOQUILLA DM, G1/4"                                      | 1     |
| 6            | 0114-019091   | VÁLVULA ESFÉRICA, G1/4", ACERO INOXIDABLE               | 1     |
| 7            | 20-6843       | BOQUILLA DM, 1/4" NPS x BSPP, ACERO INOXIDABLE          | 1     |



41-28190  
PARA SISTEMAS DE MONTAJE SOBRE CARRETILLA



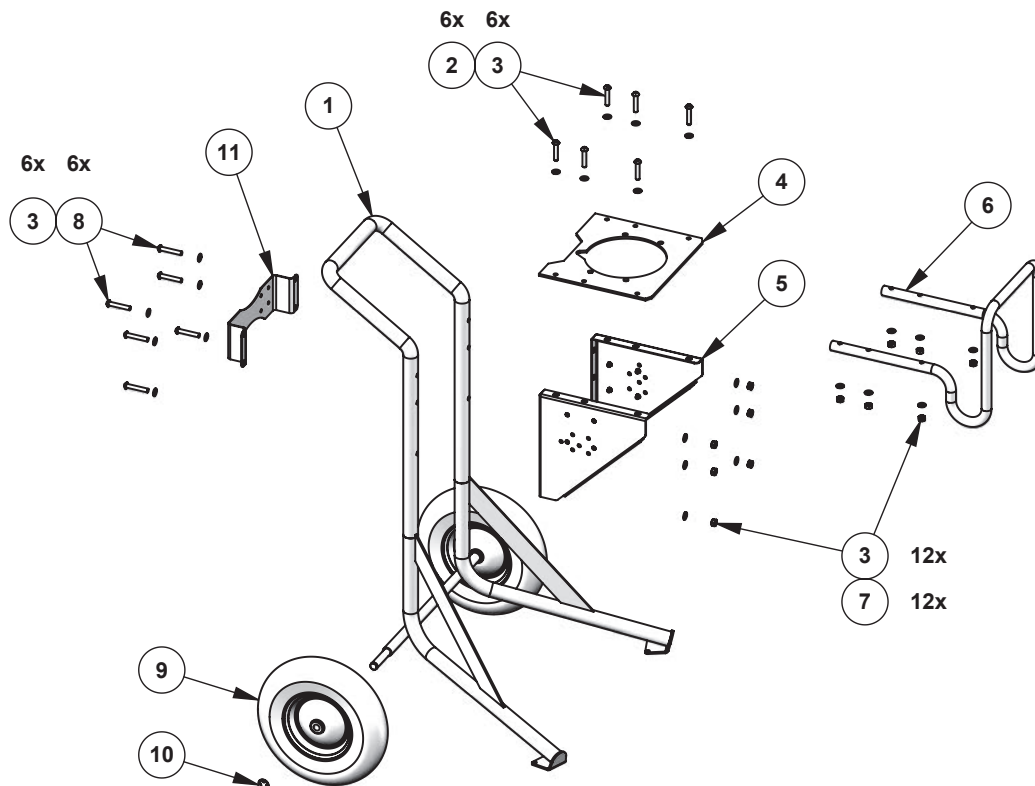
41-28200  
PARA SISTEMAS DE MONTAJE MURAL

LISTA DE PIEZAS

| NÚM. DE ART. | NÚM. DE PIEZA | DESCRIPCIÓN   | 41-28190 CANT. | 41-28200 CANT. |
|--------------|---------------|---|----------------|----------------|
| 1            | 73-91300      | VÁLVULA ESFÉRICA RANURADA                           | 1              | 1              |
| 2            | 72-1102       | BOQUILLA DM, 3/4 NPT X 3/4 NPT                      | 4              | 4              |
| 3            | 20-3590       | CODO MACHO Y HEMBRA, 3/4                            | 2              | 1              |
| 4            | 0115-010096   | TUERCA DE NYLON, M8                                 | 4              | 4              |
| 5            | 0115-010035   | CONTRATUERCA, M8                                    | 8              | 8              |
| 6            | 41-28193      | COLECTOR DE CONTROL DE AIRE                         | 1              | 1              |
| 7            | 20-1592       | TAPÓN DE CABEZA CUADRADA, 3/8 NPT                   | 2              | 2              |
| 8            | 20-2288-1     | TAPÓN, 1/4 NPT                                      | 1              | 1              |
| 9            | 85-502        | REGULADOR DE PRESIÓN, NORGREN EXCELON 74, 3/4"      | 1              | 1              |
| 10           | 20-6904       | M8 X 1.25mm X 80mm HHCS, ACERO CHAPADO              | 4              | 4              |
| 11           | GA-316        | MANÓMETRO, DIÁMETRO DE 2 PULG., 160 LBS, BACK MOUNT | 1              | -              |
| 12           | 71-1514       | CONJUNTO DE LA MANGUERA DE AIRE, 3/4"               | 1              | 1              |
| 13           | 20-6949       | CODO MACHO Y HEMBRA, 45°, 3/4" NPT                  | 1              | -              |
| 14           | 83-1290       | INDICADOR, 2 1/2" IN DIA., 150 LBS                  | -              | 1              |
| 15           | SSP-1917-NI   | CODO MACHO Y HEMBRA, 1/4" NPT                       | -              | 1              |

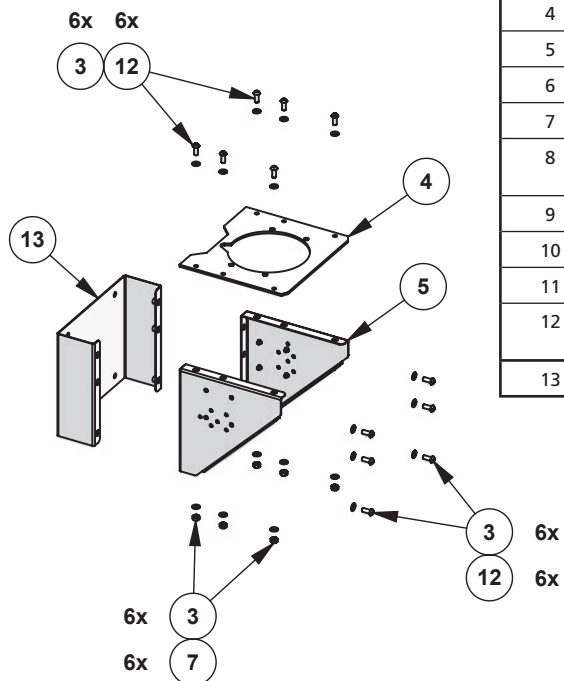


CONJUNTO DE CARRETILLA Y CONJUNTO DE SOPORTE MURAL

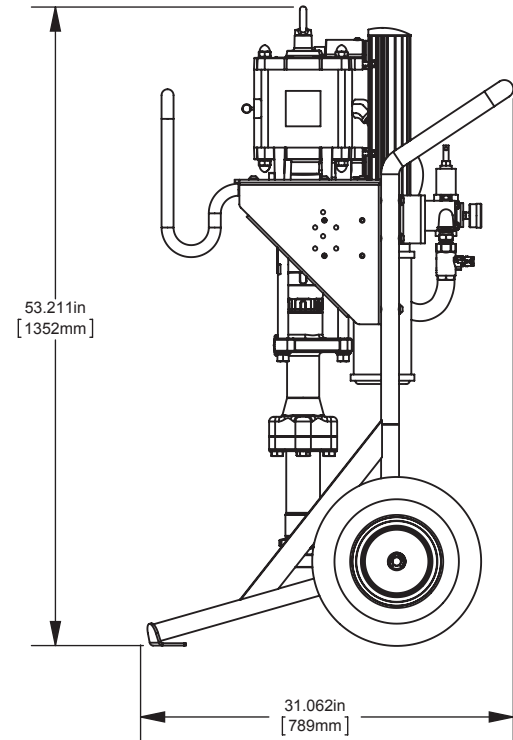
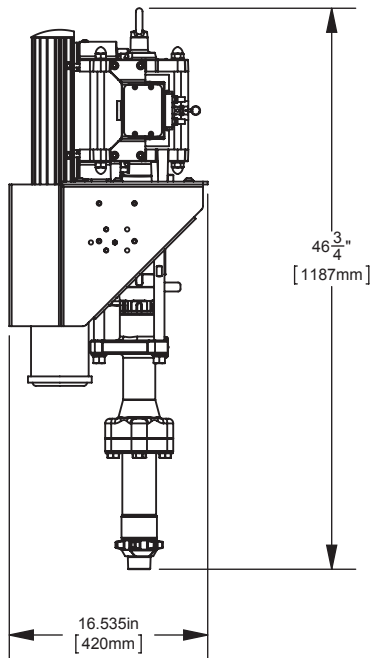
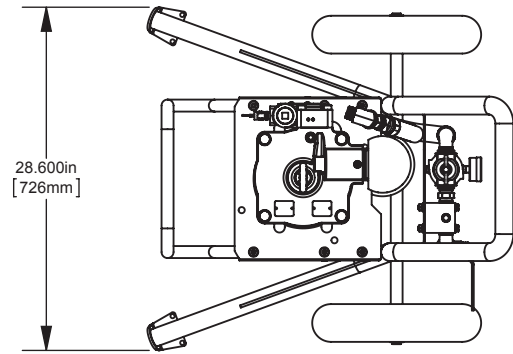
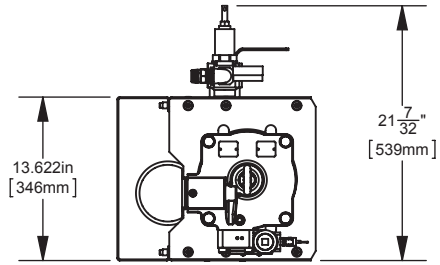


PARTS LIST

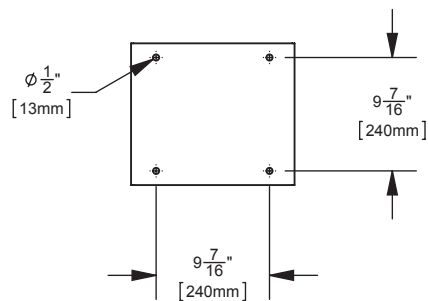
| NÚM. DE ART. | NÚM. DE PIEZA | DESCRIPCIÓN                                    | 41-28280-200 CANT. | 104116 CANT. |
|--------------|---------------|--|--------------------|--------------|
| 1            | 193372        | ARMAZÓN DE LA CARRETILLA                       | 1                  | —            |
| 2            | 177013        | TORNILLO DE CASQUETE CON CABEZA HUECA M10 x 50 | 6                  | —            |
| 3            | 165135        | ARANDELA PLANA M10                             | 24                 | 18           |
| 4            | 193814        | PLACA DE MONTAJE                               | 1                  | 1            |
| 5            | 193376        | MÉNSULA DE APOYO                               | 2                  | 2            |
| 6            | 193381        | SOPORTE DE MANGUERA                            | 1                  | —            |
| 7            | 163127        | TUERCA HEXAGONAL M10                           | 12                 | 6            |
| 8            | 177014        | TORNILLO DE CASQUETE CON CABEZA HUECA M10 X 60 | 6                  | —            |
| 9            | 193380        | RUEDA DE 14"                                   | 2                  | —            |
| 10           | 166157        | ARO DE RETENCIÓN                               | 2                  | —            |
| 11           | 41-28273      | SOPORTE DE REGULADOR DE AIRE                   | 1                  | —            |
| 12           | 177019        | TORNILLO DE CASQUETE CON CABEZA HUECA M10 X 25 | —                  | 12           |
| 13           | 193629        | MONTAJE MURAL                                  | —                  | 1            |



**DIMENSIONES DE LAS BOMBAS**



**Patrón para el montaje mural**



## POLÍTICA DE GARANTÍAS

Los productos Binks están cubiertos por la garantía limitada de materiales y mano de obra por cinco años de Finishing Brands. El uso de cualquier pieza o accesorio de una fuente que no sea Finishing Brands, anulará todas las garantías. Para obtener información específica sobre la garantía, favor ponerse en contacto con el local de Finishing Brands más cercano a usted entre los listados a continuación.

Finishing Brands se reserva el derecho de modificar las especificaciones del equipo sin previo aviso. DeVilbiss, Ransburg, BGK y Binks son marcas registradas de Finishing Brands. ©2014 Finishing Brands. Reservados todos los derechos.



Binks es parte de Finishing Brands, un líder global en tecnologías de acabados pulverizados innovadores. Para asistencia técnica o para localizar un distribuidor autorizado, póngase en contacto con uno de nuestros centros internacionales de ventas y apoyo al cliente listados a continuación.

### EE.UU./Canadá

www.binks.com  
info@finishingbrands.com  
Teléfono: 1-800-992-4657  
Fax: 1-888-246-5732

### México

www.finishingbrands.com.mx  
sales@finishingbrands.com.mx  
Teléfono: 011 52 55 5321 2300  
Fax: 011 52 55 5310 4790

### Brasil

www.devilbiss.com.br  
sales@devilbiss.com.br  
Teléfono: +55 11 5641 2776  
Fax: 55 11 5641 1256

### Reino Unido

www.finishingbrands.eu  
info@finishingbrands.eu  
Teléfono: +44 (0)1202 571 111  
Fax: +44 (0)1202 573 488

### Francia

www.finishingbrands.eu  
info@finishingbrands.eu  
Teléfono: +33(0)475 75 27 00  
Fax: +33(0)475 75 27 59

### Alemania

www.finishingbrands.eu  
info@finishingbrands.eu  
Teléfono: +49 (0) 6074 403 1  
Fax: +49 (0) 6074 403 281

### China

www.finishingbrands.com.cn  
mkt@finishingbrands.com.cn  
Teléfono: +8621-3373 0108  
Fax: +8621-3373 0308

### Japón

www.ransburg.co.jp  
binks-devilbiss@ransburg.co.jp  
Teléfono: 081 45 785 6421  
Fax: 081 45 785 6517

### Australia

www.finishingbrands.com.au  
sales@finishingbrands.com.au  
Teléfono: +61 (0) 2 8525 7555  
Fax: +61 (0) 2 8525 7500

