

BINKS®

MX1212 **12:1 Pump Systems for** **Air Assist & Airless Finishing**

Patent 7,603,855



SPECIFICATIONS

Ratio:	12:1
Maximum air inlet pressure:	8 bar [116 psi]
Maximum fluid pressure:	96 bar [1390 psi]
Displacement per cycle:	72 cc [2.4 oz]
Output @ 60 cycles/min:	4.3 L/m [1.2 gal/m]
Air consumption @ 20 cycles/min. and 8 bar [116 psi] air inlet pressure:	147 LPM [5.2 SCFM]
Maximum recommended continuous cycle rate:	20 cycles/min
Air inlet connection:	3/8" BSP(f) and 1/4" NPS(m)
Air piston diameter:	85 mm [3.3 in]
Stroke length:	75 mm [3.0 in]
Fluid inlet connection:	3/4" NPS(m)
Fluid outlet connection:	3/8" BSP(m) / 3/8" NPS(m)
Wetted parts materials of construction:	Stainless Steel, Tungsten Carbide, Hard Chrome, PTFE, Polyethylene, Leather
Sound level:	96.2 dB

We reserve the right to change the specifications without prior notice.

© Binks 2013

Replaces
Part Sheet
77-2917R-5

Part
Sheet
77-2917R-6

In this part sheet, the words **WARNING**, **CAUTION** and **NOTE** are used to emphasize important safety information as follows:

⚠ WARNING
 Hazards or unsafe practices which could result in severe personal injury, death or substantial property damage.

⚠ CAUTION
 Hazards or unsafe practices which could result in minor personal injury, product or property damage.

NOTE
 Important installation, operation or maintenance information.

⚠ WARNING

Read the following warnings before using this equipment.



READ THE MANUAL
 Before operating finishing equipment, read and understand all safety, operation and maintenance information provided in the operation manual.



WEAR SAFETY GLASSES
 Failure to wear safety glasses with side shields could result in serious eye injury or blindness.



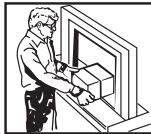
DE-ENERGIZE, DEPRESSURIZE, DISCONNECT AND LOCK OUT ALL POWER SOURCES DURING MAINTENANCE
 Failure to De-energize, disconnect and lock out all power supplies before performing equipment maintenance could cause serious injury or death.



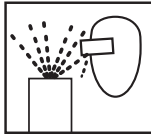
OPERATOR TRAINING
 All personnel must be trained before operating finishing equipment.



EQUIPMENT MISUSE HAZARD
 Equipment misuse can cause the equipment to rupture, malfunction, or start unexpectedly and result in serious injury.



KEEP EQUIPMENT GUARDS IN PLACE
 Do not operate the equipment if the safety devices have been removed.



PROJECTILE HAZARD
 You may be injured by venting liquids or gases that are released under pressure, or flying debris.



PINCH POINT HAZARD
 Moving parts can crush and cut. Pinch points are basically any areas where there are moving parts.



PACEMAKER WARNING
 You are in the presence of magnetic fields which may interfere with the operation of certain pacemakers.



AUTOMATIC EQUIPMENT
 Automatic equipment may start suddenly without warning.



INSPECT THE EQUIPMENT DAILY
 Inspect the equipment for worn or broken parts on a daily basis. Do not operate the equipment if you are uncertain about its condition.



NEVER MODIFY THE EQUIPMENT
 Do not modify the equipment unless the manufacturer provides written approval.



KNOW WHERE AND HOW TO SHUT OFF THE EQUIPMENT IN CASE OF AN EMERGENCY



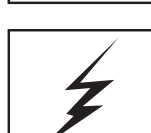
PRESSURE RELIEF PROCEDURE
 Always follow the pressure relief procedure in the equipment instruction manual.



NOISE LEVELS
 The A-Weighted sound level of pumping equipment and spray guns may exceed 85 dB (A) depending on the set-up being used. Details of actual noise levels are available on request. It is recommended that ear protection is worn at all times when spraying while pump is operating.



HIGH PRESSURE CONSIDERATION
 High pressure can cause serious injury. Relieve all pressure before servicing. Spray from the spray gun, hose leaks, or ruptured components can inject fluid into your body and cause extremely serious injury.



STATIC CHARGE
 Fluid may develop a static charge that must be dissipated through proper grounding of the equipment, objects to be sprayed and all other electrically conductive objects in the dispensing area. Improper grounding or sparks can cause a hazardous condition and result in fire, explosion or electric shock and other serious injury.



PROP 65 WARNING
 WARNING: This product contains chemicals known to the State of California to cause cancer and birth defects or other reproductive harm.



IT IS THE RESPONSIBILITY OF THE EMPLOYER TO PROVIDE THIS INFORMATION TO THE OPERATOR OF THE EQUIPMENT.

FOR FURTHER SAFETY INFORMATION REGARDING BINKS AND DEVILBISS EQUIPMENT, SEE THE GENERAL EQUIPMENT SAFETY BOOKLET (77-5300).

! WARNING



HIGH PRESSURE CAN CAUSE SERIOUS INJURY IF EQUIPMENT IS INSTALLED OR USED INCORRECTLY—READ, UNDERSTAND, AND OBSERVE ALL WARNINGS AND INSTRUCTIONS IN THIS MANUAL.

INSTALL, OPERATE OR SERVICE THIS EQUIPMENT ONLY AFTER ALL INSTRUCTIONS ARE CLEARLY UNDERSTOOD.

It is the responsibility of the employer to place this information into the hands of the operator.

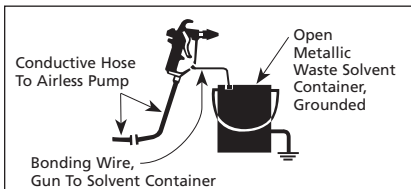
! WARNING
 Hazards or unsafe practices which could result in severe personal injury, death or substantial property damage.

! CAUTION
 Hazards or unsafe practices which could result in minor personal injury, product or property damage.

NOTE
 Important installation, operation or maintenance information.

AVOID STATIC SPARKING

1. Use Binks **NO-WIRE** conductive hose in all airless spraying operations. Be sure the gun and hose have continuity.
2. Make sure the pump is grounded. **NEVER** operate the unit when it is on a non-grounded platform.
3. When flushing or cleaning with a combustible solvent, always use an open metallic container for receiving the waste solvent. Ground the solvent receptacle.
4. **ALWAYS** remove spray tip when flushing the system. Operate the pump at the lowest possible pressure.



GENERAL WARNINGS

1. **NEVER** leave a pressurized sprayer unattended.
2. Periodically inspect all hoses for leaks and/or abrasions and tighten all connections before use. **DO NOT ATTEMPT TO REPAIR** a defective hose. **REPLACE** it with another conductive hose.
3. **ALWAYS** relieve pressure in the system by turning bypass valve to **BYPASS** or triggering spray gun before disassembly of any component parts.

CAUTION
 Never store de-ionized, distilled, reverse osmosis or any pure grade of water in the pump. These fluids may cause corrosion.


NOTE
 BINKS is not responsible for misapplication of pumps. Consult your BINKS representative for application assistance.

NOTE
 Be sure that all fluids, solvents and fillers to be used are chemically and physically compatible with wetted parts in the pump. Consult your BINKS representative for pump materials of constructions and compatibility information. Consult the fluid manufacture for information regarding the fluids to be used.

REPLACEMENT PARTS

The pump is designed to use authorized parts only. When using this pump with parts that do not comply with the minimum specifications and safety devices of Binks, the user assumes all risks and liabilities.

! WARNING
EXCESSIVE AIR PRESSURE
 Can cause personal injury, pump damage or property damage. Do not exceed maximum inlet air pressure as stated on motor model plate.

HAZARD	CAUSE	SAFEGUARDS
<p>EXPLOSION</p> 	<p>STATIC ELECTRICITY</p> <p>Use of this equipment in a potentially explosive atmosphere.</p> <p>Vapors from flammable liquids can catch fire or explode from static electricity discharges.</p>	<ol style="list-style-type: none"> 1. If installing this equipment in a potentially explosive atmosphere, check the ATEX equipment category and temperature ratings meet the requirements for the zoned area. 2. Check electrical continuity of the air supply to earth — should be no greater than $10^6 \Omega$. 3. Electrically bond all metallic equipment to earth. Should be no greater than 1Ω.
<p>SPECIAL CONDITIONS FOR SAFE USE REQUIRED BY ATEX CERTIFICATION</p>	<p>Over pressurization of equipment can cause equipment failure or injury.</p> <p>Use lubricating medium resistant to carburisation.</p> <p>Improper operation or maintenance may create a hazard.</p>	<ol style="list-style-type: none"> 1. Do not exceed the stated maximum working pressures and motor speed as specified in this manual. 2. Only a suitably approved static dissipating or conductive air supply hoses shall be attached to the equipment and terminated to the air supply. 3. Air supplies (compressors, etc.) shall be sited in a non-hazardous area with a filter on the air intake system to prevent the ingress of dust or similar foreign material into the parts where compression takes place. 4. Use lubricating medium resistant to carburisation and has an auto ignition temperature of more than 185°C for T4 equipment. 5. User shall ensure all metallic parts of the equipment are suitably bonded to earth. Should be no greater than 1Ω.

EC Declaration of Conformity



We: Finishing Brands, Ringwood Rd., Bournemouth, Dorset, BH11 9LH, UK

As the manufacturer of the items listed below:

Piston Pumps MX412 MX432 MX1212 MX1231

Declare, under our sole responsibility, that, the equipment to which this document relates is in conformity with the following standards or other normative documents:

EN 13463-1:2009, EN 13463-5:2005, EN 982:1996 + A1:2008, EN 983:1996 + A1:2008 and EN 12621:2006

And thereby conform to the protection requirements of Council Directive 98/37/EC relating to **Machinery Safety Directive** and council Directive 94/9/EC relating to **Equipment and Protective Systems intended for use in Potentially Explosive Atmospheres;**

CE Ex 2 II Gc T4

Issued on: 1st July 2009

Authorized by:

General Manager

Technical file lodged with;
 TRL Compliance Ltd (Notified Body 0891)
 Moss View
 Nipe Lane
 Up Holland
 WN8 9PY, UK

STARTUP AND OPERATION

(Part numbers referenced are contained in MX1212 Bare Pump Assembly Part Sheet: 77-2916.)

GROUNDING THE BINKS PUMP

⚠ WARNING

To prevent static charging igniting the flammable spray material, the BINKS pump must be grounded before it is started up. A grounding cable is included with the pump.

1. Clamp the grounding cable to the terminal on the high pressure filter or the air motor.
2. Connect the other end of the grounding cable to a suitable grounding device (e.g. grounding bar).

PREPARING TO START UP THE BINKS PUMP

Proceed as follows:

1. Check that the solvent cup is full to the level shown. If necessary, add material to the solvent cup. (Order part no. 0114-009433 for solvent based paint, and part no. 0114-014871 for waterborne paint.)



2. Select a suitable filter element using the table in this manual (page 9) and insert it into the high pressure filter (0115-010326).
3. Attach a suitable fluid hose to the outlet fitting (0114-016059) on the high pressure filter (0115-010326).

⚠ WARNING

The fluid hose supplied by BINKS is identified with the maximum permitted working pressure and the bursting pressure. The lesser value—the maximum permitted working pressure—must be greater than the maximum permitted working pressure of the pump.

4. Connect the gun—designed at least for the maximum permitted working pressure of the pump—to the fluid hose (71-4995).
5. Make sure that the ball valve on the air control assembly is closed.
6. Connect the compressed air supply to the air inlet connection.
7. The pump is equipped with an air pressure regulator (0115-010183). Before putting the pressure line

into operation, relieve the pressure regulator by fully unscrewing the regulating screw. Thereafter rotate the regulating screw clockwise until the pressure gauge on the regulator indicates the required pressure.

NOTE

The pump is equipped with an air pressure safety valve (0114-014774) set at 8 bar (116 psi).

RINSING THE BINKS PUMP

⚠ WARNING

Wear eye protection.

Every BINKS pump is tested with water during final inspection and thoroughly rinsed with a non-gumming preservative oil. With this rinsing process, it is possible that the residual moisture of water emulsion will be left in the pump.

Before the unit is started up for the first time, a suitable solvent must be used to thoroughly rinse out the remains of the preservative fluid and the unavoidable impurities introduced during equipment assembly.

Proceed as follows:

1. Prepare the BINKS pump for start-up as shown above.
2. Close the high pressure ball valve (0114-019091) on the fluid filter.
3. Immerse the siphon kit (41-17262 or 0115-010381) in the tank of solvent.
4. Insert the return flow hose (0115-010327) into the tank of solvent. Open the high pressure ball valve (0114-019091) on the fluid filter.
5. Open the air control ball valve and set the air regulator (0115-010183) to approximately 1 bar (14.5 psi). The siphon kit now draws in the solvent. The solvent runs back to the solvent tank through the high pressure fluid filter (0115-010326), the high pressure ball valve (0114-019091) and the return flow hose (0115-010327).
6. Remove the spray tip from the gun and point the gun into the tank. Unlock the safety lever on the gun, operate the gun and close the high pressure ball valve. The solvent will now flow through the high pressure fluid filter (0115-010326), the fluid hose (71-4995) and the gun, back into the

tank. The time of rinsing depends on the length of the material lines and the solubility of the spray material. We recommend a short reflush with "fresh" solvent.

7. Release the gun trigger.
8. Slowly increase the pressure at the regulator to maximum working pressure while checking and testing that all lines and screw and plug caps are tightly sealed. If there are any leaks in the system, shut down the BINKS pump immediately. Only restart the BINKS pump once you have repaired the leak.
9. Reduce the air pressure at the air regulator (0115-010183) again and close the ball valve.
10. Make sure that the return flow hose (0115-010327) is still directed into the solvent tank. Carefully open the high pressure ball valve (0114-019091) to reduce the pressure in the fluid hose and in the high pressure filter.
11. Point the gun into the tank of solvent and operate the trigger, to reduce any pressure which may still exist in the fluid hose and in the gun.

⚠ CAUTION

If working with waterborne material, the BINKS pump must again be thoroughly rinsed with water before it is started up.

START-UP

1. Prepare the BINKS pump for start-up as shown above and if necessary, rinse pump.
2. Close the high pressure ball valve (0114-019091) on the fluid filter.
3. Immerse the siphon kit (41-17262 or 0115-010381) in the spray material to be used.
4. Place the return flow hose (0115-010327) in the tank. Then open the high pressure ball valve (0114-019091).
5. Open the ball valve for the compressed air supply and use the pressure regulator (0115-010183) to set the compressed air supply to 1 bar (14.5 psi). The pump will now draw in the spray material. The spray material

(continued on next page)

STARTUP AND OPERATION

flows back into the tank through the high pressure filter, the high pressure ball valve and the return pipe.

- Remove the spray tip from the gun and point the gun into the tank. Unlock the safety lever on the gun. Operate the gun trigger and close the high pressure ball valve (0114-019091). The spray material will now flow through the high pressure filter, the fluid hose and the gun, back into the tank.
- Release the gun trigger and set the working pressure at the regulator.

NOTE

Before carrying out any coating work, we recommend a test spray (e.g. on to paper or wood). Only if the test gives you the desired result should you start to coat the actual object.

WORK STOPPAGES

CAUTION

If working with 2-K spray material, you must note the given pot life and follow it precisely. Within this time, the unit must be carefully cleaned and rinsed with the recommended solvent. There must be no residue left in the pump, the high pressure filter or the gun.

CAUTION

When work is stopped, the safety lever of the gun must be locked.

For work stoppages of between 10 and 30 minutes, please proceed as follows:

WARNING

Wear eye protection.

- Lock the safety lever on the gun.
- Shut off the compressed air supply by closing the ball valve.
- Briefly open the high pressure ball valve (0114-019091), taking care that the return flow hose (0115-010327) is not pointed at other people or at yourself, until the pressure has reduced. Then close the high pressure ball valve again.
- Clean the outside of the spray nozzle from spray material residue.

SHUT-DOWN

CAUTION

Once work is completed, the BINKS pump must be thoroughly cleaned. Under no circumstances must you allow paint residue to dry out in the unit. To clean the pump, use a solvent appropriate to the spray material.

WARNING

Wear eye protection.

- Close the ball valve for the compressed air supply.
- Make sure that the flow hose is still directed into the spray material tank. Carefully open the high pressure ball valve (0114-019091) to reduce the pressure in the pump and in the high pressure filter.
- Remove the spray tip from the gun.
- Point the gun into the tank of spray material and operate the trigger to reduce any pressure which may still exist in the fluid hose and in the gun.
- Lock the safety lever on the gun.
- Remove the siphon kit from the spray material.

CLEANING YOUR BINKS PUMP

CAUTION

Do not allow spray material or solvent to soak into the ground.

WARNING

Wear eye protection.

- Clean the pump and the siphon kit from the outside. Immerse the suction system in the tank of solvent.
- Clean the fluid tip/tip system as described in the service bulletin of the spray gun. We recommend to soak the fluid tip in solvent.
- Unlock the safety lever of the gun without fluid tip. Operate the gun. Close the high pressure ball valve (0114-019091). Set the air inlet pressure to 1 bar (14.5 psi) and slowly open the ball valve. Let the solvent run through the system so that the spraying material can rinse out.
- Let the solvent run through the system for a couple of minutes until the solvent runs clear through the gun. Close the ball valve and lock the safety lever of the gun.
- Clean the gun from the outside and check the filter on the handle (if mounted).
- Clean the filter element of the high pressure filter (0115-010326).
- Clean the filter of the siphon kit.
- We recommend keeping the pump filled with liquid.

NOTE

If the pump is not to be used for longer periods of time, we recommend flushing the system with a light, silicone-free oil.

MX1212 CART MOUNTED SYSTEMS

MX1212

-

C

SEALS

PL = PTFE / Leather
 PP = PTFE
 PU = PTFE / UHMW
 UC = U-Cups

SPRAY GUN

0 = none
 E = AA1600 Flat Tip
 F = AA1600 Twist Tip
 P = Airless 75

AIR CONTROL

0 = none
 D = Air Control

FILTER

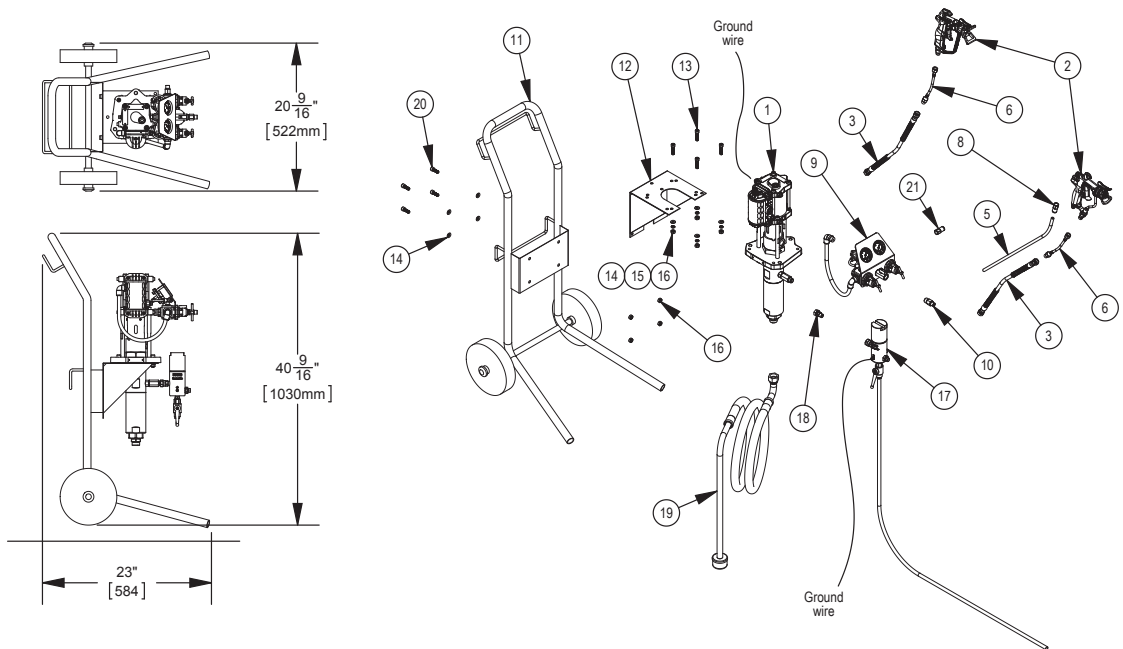
0 = none
 1 = 100 mesh
 2 = 200 mesh

SIPHON

0 = none
 S = 5 gallon
 T = 55 gallon

HOSE

00 = none
 25 = 25 ft / whip
 50 = 50 ft / whip



SYSTEM COMPONENT LIST

ITEM NO.	PART NUMBER	DESCRIPTION	QTY	PART SHEET
1	MX1212PL	BARE PUMP ASSEMBLY (PTFE/LEATHER)	1 IF SEAL TYPE = PL	77-2916
	MX1212PP	BARE PUMP ASSEMBLY (PTFE)	1 IF SEAL TYPE = PP	
	MX1212PU	BARE PUMP ASSEMBLY (PTFE/UHMW)	1 IF SEAL TYPE = PU	
	MX1212UC	BARE PUMP ASSEMBLY (U-CUPS)	1 IF SEAL TYPE = UC	
2	0909-1600-HF1310	AA1600 GUN ASSEMBLY (1310 FLAT TIP)	1 IF GUN TYPE = E	77-2921
	0909-1600-HT0613	AA1600 GUN ASSEMBLY (613 TWIST TIP)	1 IF GUN TYPE = F	77-2950
	0811-7500-1	AIRLESS 75 GUN ASSEMBLY	1 IF GUN TYPE = P	
3	71-4995	MATERIAL HOSE (3/16" ID X 25', 1900 PSI)	1 IF HOSE LENGTH = 25 2 IF HOSE LENGTH = 50	
4	72-791	DM NIPPLE (1/4" NPS, SS) [NOT SHOWN]	1 IF HOSE LENGTH = 50	
5	71-4803	AIR HOSE (3/8" OD TUBE X 28FT)	1 IF HOSE LENGTH = 25	
	71-4804	AIR HOSE (3/8" OD TUBE X 53FT)	1 IF HOSE LENGTH = 50	
6	71-6844	MATERIAL HOSE (1/8" ID X 3', 5000 PSI)	1 IF HOSE LENGTH = 25 / 50	
7	72-2332	SWIVEL ADAPTER (1/4" NPS M X F) [NOT SHOWN]	1 IF GUN TYPE = P	
8	54-4976	ADAPTER FITTING (3/8" OD TUBE X 1/4" NPS F)	1 IF GUN TYPE = E / F	
9	0115-010180	AIR CONTROL ASSEMBLY	1 IF AIR CONTROL = D	
10	83-4233	DM NIPPLE (1/4" NPS/NPT X 3/8" NPS/NPT)	1 IF AIR CONTROL = D	
11	0115-010186	TROLLEY ASSEMBLY	1	
12	0115-010179	PUMP BRACKET	1	
13	0115-010001	SOCKET HEAD CAP SCREW (M8 X 35mm)	4	
14	0115-010030	HEX NUT (M8)	8	
15	0115-010031	LOCK WASHER (M8)	4	
16	0115-010035	FLAT WASHER (M8)	8	
	0115-010326	S.S. FILTER ASSEMBLY (100 MESH)	1 IF FILTER TYPE = 1	
17	0115-010630	S.S. FILTER ASSEMBLY (200 MESH)	1 IF FILTER TYPE = 2	
18	103-1238	SWIVEL ADAPTER (3/8" NPS F X 1/4" NPT/NPS M)	1 IF NO FILTER	
19	41-17262	SIPHON TUBE ASSEMBLY (5 GALLON)	1 IF SIPHON SIZE = S	
	0115-010381	SIPHON TUBE ASSEMBLY (55 GALLON)	1 IF SIPHON SIZE = T	
20	0115-010227	SOCKET HEAD CAP SCREW (M8 X 25)	4	
21	85-521	SWIVEL ELBOW (3/8" OD TUBE X 1/4" NPT)	1 IF AIR CONTROL = D	

MX1212 WALL MOUNTED SYSTEMS

MX1212

W

SEALS

PL = PTFE / Leather
 PP = PTFE
 PU = PTFE / UHMW
 UC = U-Cups

SPRAY GUN

0 = none
 E = AA1600 Flat Tip
 F = AA1600 Twist Tip
 P = Airless 75

AIR CONTROL

0 = none
 D = Air Control

FILTER

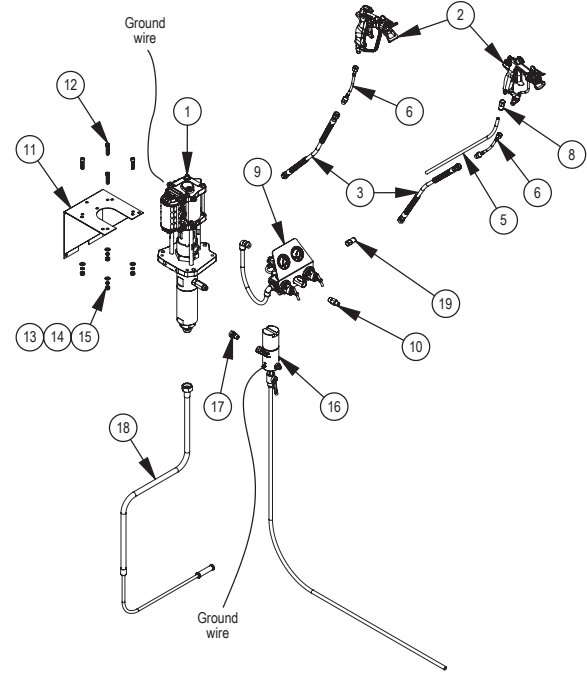
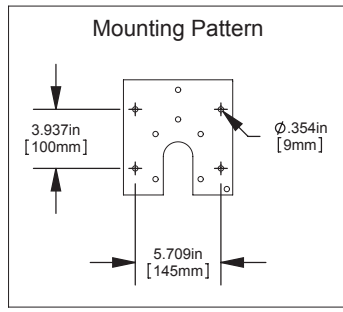
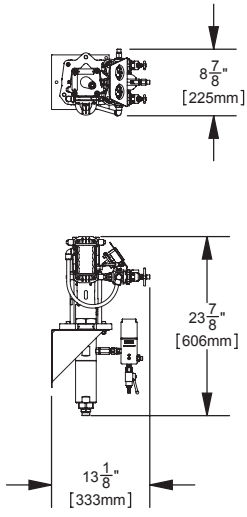
0 = none
 1 = 100 mesh
 2 = 200 mesh

SIPHON

0 = none
 S = 5 gallon
 T = 55 gallon

HOSE

00 = none
 25 = 25 ft / whip
 50 = 50 ft / whip



SYSTEM COMPONENT LIST

ITEM NO.	PART NUMBER	DESCRIPTION	QTY	PART SHEET
1	MX1212PL	BARE PUMP ASSEMBLY (PTFE/LEATHER)	1 IF SEAL TYPE = PL	77-2916
	MX1212PP	BARE PUMP ASSEMBLY (PTFE)	1 IF SEAL TYPE = PP	
	MX1212PU	BARE PUMP ASSEMBLY (PTFE/UHMW)	1 IF SEAL TYPE = PU	
	MX1212UC	BARE PUMP ASSEMBLY (U-CUPS)	1 IF SEAL TYPE = UC	
2	0909-1600-HF1310	AA1600 GUN ASSEMBLY (1310 FLAT TIP)	1 IF GUN TYPE = E	77-2921
	0909-1600-HT0613	AA1600 GUN ASSEMBLY (613 TWIST TIP)	1 IF GUN TYPE = F	
	0811-7500-1	AIRLESS 75 GUN ASSEMBLY	1 IF GUN TYPE = P	
3	71-4995	MATERIAL HOSE (3/16" ID X 25', 1900 PSI)	1 IF HOSE LENGTH = 25 2 IF HOSE LENGTH = 50	
4	72-791	DM NIPPLE (1/4" NPS, SS) [NOT SHOWN]	1 IF HOSE LENGTH = 50	
5	71-4803	AIR HOSE (3/8" OD TUBE X 28FT)	1 IF HOSE LENGTH = 25	
	71-4804	AIR HOSE (3/8" OD TUBE X 53FT)	1 IF HOSE LENGTH = 50	
6	71-6844	MATERIAL HOSE (1/8" ID X 3', 5000 PSI)	1 IF HOSE LENGTH = 25 / 50	
7	72-2332	SWIVEL ADAPTER (1/4" NPS M X F) [NOT SHOWN]	1 IF GUN TYPE = P	
8	54-4976	ADAPTER FITTING (3/8" OD TUBE X 1/4" NPS F)	1 IF GUN TYPE = E / F	
9	0115-010180	AIR ASSIST AIR CONTROL ASSEMBLY	1 IF AIR CONTROL = D	
10	83-4233	DM NIPPLE (1/4" NPS/NPT X 3/8" NPS/NPT)	1 IF AIR CONTROL = D	
11	0115-010179	PUMP BRACKET	1	
12	0115-010001	SOCKET HEAD CAP SCREW (M8 X 35mm)	4	
13	0115-010030	HEX NUT (M8)	4	
14	0115-010031	LOCK WASHER (M8)	4	
15	0115-010035	FLAT WASHER (M8)	4	
16	0115-010326	S.S. FILTER ASSEMBLY (100 MESH)	1 IF FILTER TYPE = 1	
	0115-010630	S.S. FILTER ASSEMBLY (200 MESH)	1 IF FILTER TYPE = 2	
17	103-1238	SWIVEL ADAPTER (3/8" NPS F X 1/4" NPT/NPS M)	1 IF NO FILTER	
18	41-17262	SIPHON TUBE ASSEMBLY (5 GALLON)	1 IF SIPHON SIZE = S	
	0115-010381	SIPHON TUBE ASSEMBLY (55 GALLON)	1 IF SIPHON SIZE = T	
19	85-521	SWIVEL ELBOW (3/8" OD TUBE X 1/4" NPT)	1 IF AIR CONTROL = D	

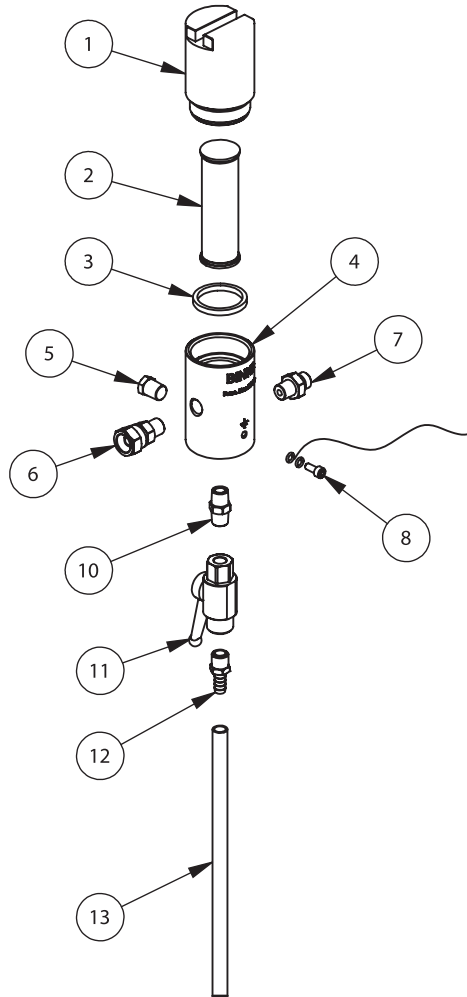
STAINLESS STEEL HIGH PRESSURE FILTER ASSEMBLIES

0115-010326 (100 MESH FILTER ELEMENT)

0115-010630 (200 MESH FILTER ELEMENT)

SPECIFICATIONS	
Max working pressure:	272 bar [3945 psi]
Fluid inlet connection:	3/8" BSP (f)
Fluid outlet connection:	1/4" NPS (m)
Wetted parts materials of construction:	Stainless Steel, PTFE

Additional filter mesh sizes (sold separately):
 For 50 mesh order: 0110-009131
 For 150 mesh order: 0010-009133



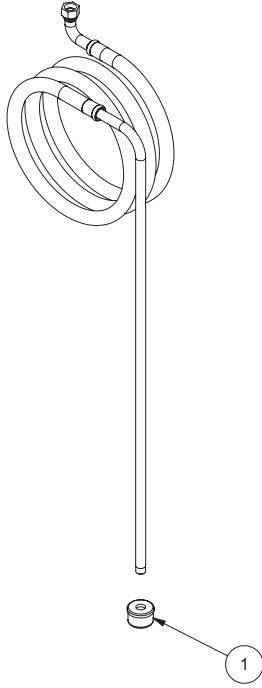
PARTS LIST

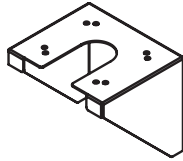
ITEM NO.	PART NUMBER	DESCRIPTION	0115-010326 QTY	0115-010630 QTY
1	0115-010399	FILTER CAP	1	1
2	0110-009134	200 MESH FILTER ELEMENT	0	1
	0110-009132	100 MESH FILTER ELEMENT	1	0
3	0114-016061	GASKET	1	1
4	0115-010398	FILTER HOUSING	1	1
5	0115-010600	PLUG	1	1
6	0114-016058	SWIVEL CONNECTING NIPPLE	1	1
7	0114-016059	OUTLET SCREW	1	1
8	0114-016243	GROUND SCREW KIT	1	1
10	0114-019090	OUTFLOW FITTING	1	1
11	0114-019091	HIGH PRESSURE BALL VALVE	1	1
12	0114-019985	HOSE CONNECTION	1	1
13	0115-010327	FILTER DRAIN HOSE	1	1

SYSTEM ACCESSORIES**0115-010381 55-GALLON SIPHON KIT
and
41-17262 5-GALLON SIPHON KIT****PARTS LIST**

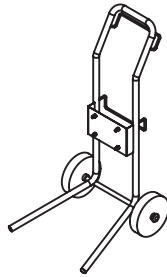
When ordering, please specify Part No.

ITEM NO.	PART NO.	DESCRIPTION	QTY.
1	41-2661	1/2 NPSM x 30 MESH S.S. STRAINER.	1



ACCESSORIES FOR YOUR MX1212 PUMP

BRACKET
0115-010179



TROLLEY ASSEMBLY
0115-010186

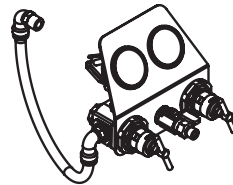


FLUID FILTER (100 MESH)
0115-010326

FLUID FILTER (200 MESH)
0115-010630



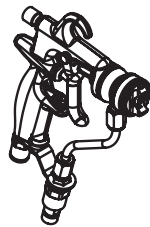
SIPHON KITS
41-17262 (5 GAL)
0115-010381 (55 GAL)



AIR CONTROLS
0115-010180



**LUBRICATING OIL FOR
FX12 FLUID PUMP**
0114-009433 (Solvent Based Materials)
0114-014871 (Water Based Materials)



AIR ASSIST SPRAY GUNS

0909-1600-HF0000
(AA1600 Gun with flat tip)

0909-1600-HT0000
(AA1600 Gun with Twist Tip)

Service Bulletin 77-2921

WARRANTY

This product is covered by Binks' 5 Year Limited Warranty.

Binks Sales and Service: www.binks.com

BINKS

U.S.A./Canada Customer Service
195 Internationale Blvd.
Glendale Heights, IL 60139
630-237-5000

Toll Free Customer Service
and Technical Support
800-992-4657
Toll Free Fax
888-246-5732

77-2917R-6 Revisions: Trademark updates;
(PP7-10) Revised diagrams and Parts Lists;
Removed Air Assist and Airless pages;
(P11) Updated Accessories.

BINKS®

MX1212

12:1 Sistemas de bomba para Acabado c/asistencia de aire y sin aire

Patente 7,603,855



ESPECIFICACIONES

Proporción:	12:1
Presión de entrada de aire máxima:	8 bar [116 psi]
Presión máxima del fluido:	96 bar [1390 psi]
Desplazamiento por ciclo:	72 cc [2.4 oz]
Salida @ 60 ciclos/min.:	4.3 L/m [1.2 gal/m]
Consumo de aire @ 20 ciclos/min. y 8 bar [116 psi] presión de entrada de aire:	147 LPM [5.2 SCFM]
Velocidad cíclica continua máxima recomendada:	20 ciclos/min.
Conexión para entrada de aire:	3/8" BSP(f) y 1/4" NPS(m)
Diá. del émbolo de aire:	85 mm [3.3 pulg.]
Longitud del recorrido:	75 mm [3.0 pulg.]
Conexión para entrada de fluido:	3/4" NPS (m)
Conexión para salida de fluido:	3/8" BSP(m) / 3/8" NPS(m)
Materiales de construcción de las piezas humedecidas:	Acero inoxidable, Carburo de tungsteno, Cromo duro, PTFE, Polietileno, Cuero
Nivel de ruido:	96.2 dB

Nos reservamos el derecho de modificar las especificaciones sin previo aviso.

© Binks 2013

Reemplaza
Hoja de piezas
77-2917R-5

Hoja de
piezas
77-2917R-6

En esta Hoja de piezas, las palabras **ADVERTENCIA**, **PRECAUCIÓN** y **NOTA** se emplean para enfatizar información de seguridad importante de la manera siguiente:

ADVERTENCIA

Prácticas peligrosas o inseguras que pueden ocasionar lesiones personales graves, la muerte o daño substancial a la propiedad.

PRECAUCIÓN

Prácticas peligrosas o inseguras que pueden ocasionar lesiones personales leves, la muerte, daño al producto o a la propiedad.

NOTA

Información importante de instalación, operación o mantenimiento.

ADVERTENCIA

Lea las siguientes advertencias antes de usar este equipo.



LEA EL MANUAL

Antes de operar los equipos de acabado, lea y comprenda toda la información de seguridad, operación y mantenimiento incluida en el manual de operación.



USE GAFAS PROTECTORAS

No usar gafas protectoras con resguardos laterales puede ocasionar lesiones graves en los ojos o ceguera.



DESACTIVE, DESPRESURICE, DESCONECTE Y BLOQUEE TODAS LAS FUENTES DE ENERGÍA DURANTE EL MANTENIMIENTO

No desactivar, desconectar y bloquear todas las fuentes de suministro de energía antes de realizar operaciones de mantenimiento en los equipos puede ocasionar lesiones graves o la muerte.



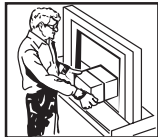
CAPACITACIÓN DE LOS OPERADORES

Todos los miembros del personal deben ser capacitados antes de operar los equipos de acabado.



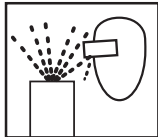
PELIGRO DE USO INDEBIDO DEL EQUIPO

El uso indebido del equipo puede ocasionar averías, mal funcionamiento o activación imprevista lo que a su vez puede producir lesiones graves.



MANTENGA LAS DEFENSAS DEL EQUIPO EN SU LUGAR

No operar los equipos si los dispositivos de seguridad fueron removidos.



PELIGRO DE PROYECTILES

Usted puede resultar lesionado por dar salida a líquidos o gases liberados bajo presión o por restos voladores.



PELIGRO DE PUNTOS DE PRESIÓN

Las partes móviles pueden aplastar y ocasionar cortaduras. Los puntos de presión son básicamente todas las áreas donde haya partes móviles.



ADVERTENCIA DE MARCAPASOS

Usted está en la presencia de campos magnéticos los cuales pueden interferir con el funcionamiento de ciertos marcapasos.



EQUIPOS AUTOMÁTICOS

Los equipos automáticos pueden activarse súbitamente sin advertencia.



INSPECCIONE LOS EQUIPOS DIARIAMENTE

Inspeccione diariamente los equipos para verificar que no tengan piezas gastadas o rotas. No opere los equipos si no está seguro de su condición.



NUNCA MODIFIQUE LOS EQUIPOS

No modifique el equipo sin la autorización escrita del fabricante.



SEPA CÓMO Y DÓNDE DESACTIVAR LOS EQUIPOS EN CASO DE EMERGENCIA.



PROCEDIMIENTO DE LIBERACIÓN DE PRESIÓN

Siga siempre el procedimiento de liberación de presión que aparece en el manual de instrucciones del equipo.



NIVELES DE RUIDO

El nivel de ruido con ponderación A de los equipos de bombeo puede sobrepasar los 85 dB (A) dependiendo de la configuración que se esté usando. Los detalles de los niveles de ruido reales están disponibles previa solicitud. Se recomienda el uso de protección para los oídos siempre que se rocíe mientras la bomba esté en funcionamiento.



CONSIDERACIONES DE ALTA PRESIÓN

La alta presión puede ocasionar lesiones graves. Antes de reparar o dar mantenimiento a los equipos, alivie toda la presión. El rociado de la pistola rociadora, las filtraciones de la manguera o componentes averiados pueden inyectar fluido en su organismo y ocasionar lesiones sumamente graves.



CARGA ESTÁTICA

Los fluidos pueden generar una carga estática que debe ser disipada mediante la debida puesta a tierra del equipo, los objetos que van a ser rociados y todos los demás objetos electroconductores en el área de suministro. La puesta a tierra indebida o las chispas pueden ocasionar condiciones de peligro y producir incendios, explosiones o descargas eléctricas y otras lesiones graves.



ADVERTENCIA PROP 65

ADVERTENCIA: Este producto contiene sustancias químicas que según información en poder del estado de California producen cáncer, defectos de nacimiento y otros daños al sistema reproductor.

ES RESPONSABILIDAD DEL EMPLEADOR PROPORCIONAR ESTA INFORMACIÓN AL OPERADOR DEL EQUIPO.

PARA MÁS INFORMACIÓN ACERCA DE LOS EQUIPOS BINKS Y DEVILBISS, CONSULTE EL FOLLETO DE SEGURIDAD GENERAL DE LOS EQUIPOS (77-5300).

! ADVERTENCIA



LA ALTA PRESIÓN PUEDE OCASIONAR LESIONES GRAVES SI EL EQUIPO SE INSTALA O USA INCORRECTAMENTE — LEA, COMPRENDA Y CUMPLA TODAS LAS ADVERTENCIAS E INSTRUCCIONES CONTENIDAS EN ESTE MANUAL.

INSTALE, OPERE O REPARE Y DÉ MANTENIMIENTO A ESTE EQUIPO SÓLO DESPUÉS DE HABER COMPRENDIDO CLARAMENTE TODAS LAS INSTRUCCIONES.

Es responsabilidad del empleador poner esta información en manos del operador.

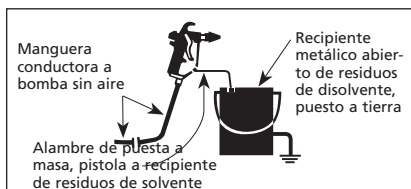
! ADVERTENCIA
Prácticas peligrosas o inseguras que pueden ocasionar lesiones personales graves, la muerte o daño substancial a la propiedad.

! PRECAUCIÓN
Prácticas peligrosas o inseguras que pueden ocasionar lesiones personales leves, la muerte, daño al producto o a la propiedad.

NOTA
Información importante de instalación, operación o mantenimiento.

EVITE LAS DESCARGAS ESTÁTICAS

1. Use la manguera conductora **INALÁMBRICA** de Binks en todas las operaciones de atomización sin aire. Asegúrese de que la pistola y la manguera tengan continuidad.
2. Asegúrese de que la bomba esté puesta a tierra. **NUNCA** opere la unidad cuando esté en una plataforma sin puesta a tierra.
3. Al purgar o limpiar con un solvente combustible, use siempre un recipiente metálico abierto para recibir los residuos del solvente. Ponga a tierra el receptáculo del solvente.
4. **SIEMPRE** quite la punta pulverizadora al purgar el sistema. Opere la bomba con la presión más baja posible.



ADVERTENCIAS GENERALES

1. **NUNCA** deje una pulverizadora presionizada desatendida
2. Periódicamente inspeccione todas las mangueras para verificar que no tengan filtraciones y/o abrasiones y apriete todas las conexiones antes de usar el producto. **NO TRATE DE REPARAR** una manguera defectuosa. **REEMPLÁCELA** con otra manguera conductora.
3. **SIEMPRE** alivie la presión del sistema poniendo la válvula de desviación en **BYPASS** o activando la pistola pulverizadora antes de desensamblar cualquier componente.

PRECAUCIÓN
Nunca guarde en la bomba agua desionizada, destilada, desalinizada por ósmosis inversa o de grado puro. Estos fluidos pueden causar corrosión.


NOTA
BINKS no es responsable por la aplicación indebida de las bombas. Para asistencia con la aplicación, consulte con su representante de BINKS.

NOTA
Asegúrese de que todos los fluidos, solventes y sustancias para rellenar que se van a utilizar, sean compatibles química y físicamente con las piezas humedecidas de la bomba. Consulte con su representante de BINKS para obtener información acerca de los materiales de construcción de la bomba y compatibilidad. Consulte con el fabricante de fluidos para obtener información acerca de los fluidos que se van a usar.

REFACCIONES

La bomba está diseñada para utilizar piezas autorizadas únicamente. Al utilizar esta bomba con piezas que no cumplen con las especificaciones mínimas ni con los dispositivos de seguridad de Binks, el usuario asume todos los riesgos y responsabilidades.

! ADVERTENCIA
PRESIÓN DE AIRE EXCESIVA
Puede ocasionar lesiones personales, daño a la bomba o daño a la propiedad. No sobrepase la presión del aire de entrada máxima indicada en la placa del modelo del motor.

PELIGRO	CAUSA	MEDIDAS PREVENTIVAS
<p>EXPLOSIÓN</p> 	<p>ELECTRICIDAD ESTÁTICA</p> <p>Uso de este equipo en una atmósfera potencialmente explosiva.</p> <p>Los vapores provenientes de líquidos inflamables pueden prender fuego o explotar debido a descargas de electricidad estática.</p>	<ol style="list-style-type: none"> 1. Si se instala este equipo en una atmósfera potencialmente explosiva, verifique que la categoría ATEX (Atmósfera Explosiva) del equipo y los regímenes de temperatura cumplan con los requisitos para el área zonificada. 2. Verifique la continuidad eléctrica del suministro de aire a tierra—sno debe ser mayor que $10^6 \Omega$. 3. Conecte eléctricamente a tierra todos los equipos metálicos. No debe ser mayor que 1Ω.
<p>CONDICIONES ESPECIALES PARA EL USO SEGURO REQUERIDAS POR LA CERTIFICACIÓN ATEX</p>	<p>La presurización excesiva del equipo puede ocasionar la falla del equipo o una lesión.</p> <p>Use un medio de lubricación resistente a la carburación.</p> <p>La operación o mantenimiento indebidos pueden crear un peligro.</p>	<ol style="list-style-type: none"> 1. No sobrepase las presiones de trabajo máximas ni la velocidad del motor especificadas en este manual. 2. Sólo se deben fijar al equipo mangueras disipadoras de electricidad estáticas o conductoras de suministro de aire conectadas a la impedancia terminal del suministro de aire. 3. Los suministros de aire (compresores, etc.) se deben colocar en un área no peligrosa con un filtro en el sistema de entrada de aire para evitar el ingreso de polvo o materias foráneas similares en las piezas donde ocurre la compresión. 4. Use un medio de lubricación resistente a la carburación y con una temperatura de auto ignición de más de 185°C (365°F) para equipos T4. 5. El usuario debe asegurarse de que todas las piezas metálicas del equipo estén debidamente conectadas eléctricamente a tierra. No debe ser mayor que 1Ω.

Declaración de conformidad de CE



Nosotros: Finishing Brands, Ringwood Rd., Bournemouth, Dorset, BH11 9LH, Reino Unido

En nuestra calidad de fabricantes de los artículos indicados a continuación:

Bombas de émbolo MX412 MX432 MX1212 MX1231

Declaramos, bajo nuestra sola responsabilidad que el equipo al que se relaciona este documento cumple con las siguientes normas u otros documentos normativos:

EN 13463-1:2009, EN 13463-5:2005, EN 982:1996 + A1:2008, EN 983:1996 + A1:2008 y EN 12621:2006

Y por consiguiente cumple con los requisitos de protección de la Directiva del Consejo 98/37/CE relacionada con la *Directiva de seguridad de Maquinarias* y la Directiva del Consejo 94/9/CE relacionada con *Equipos y Sistemas Protectores destinados para uso en Atmósferas Potencialmente Explosivas*;

CE Ex 2 II Gc T4

Emitido el: 1 de julio de 2009

Autorizado por:

Gerente general

Expediente técnico radicado ante;
 TRL Compliance Ltd (Entidad notificada 0891)
 Moss View
 Nipe Lane
 Up Holland
 WN8 9PY, Reino Unido

PUESTA EN MARCHA Y OPERACIÓN

(Los números de pieza a los que se hace referencia aparecen en la Hoja de piezas del conjunto de bomba de trasegar MX1212: 77-2916.)

CÓMO PONER A TIERRA LA BOMBA BINKS

⚠ ADVERTENCIA

Para evitar que la carga estática prenda fuego al material de rociado inflamable, la bomba BINKS se debe conectar a tierra antes de ponerse en marcha. Con la bomba se incluye un cable de puesta a tierra.

1. Sujete el cable de puesta a tierra al terminal en el filtro de alta presión o en el motor de aire.
2. Conecte el otro extremo del cable de puesta a tierra a un dispositivo de conexión a tierra adecuado (por ej., una barra de puesta a tierra).

CÓMO PREPARARSE PARA PONER EN MARCHA LA BOMBA BINKS

Proceda de la siguiente forma:

1. Revise que la cubeta para solvente esté llena hasta el nivel mostrado. Si fuese necesario, agregue el material a la cubeta para solvente. (Pida la pieza No. 0114-009433 para pintura a base de solventes y la pieza No. 0114-014871 para pintura al agua.)
2. Seleccione un elemento filtrante adecuado usando la tabla en este manual (página 23) e insértelo en el filtro de alta presión (0115-010326).
3. Fije una manguera de fluido adecuada al accesorio de salida (0114-016059) en el filtro de alta presión (0115-010326).



⚠ ADVERTENCIA

La manguera de fluido provista por BINKS se identifica con la presión de trabajo máxima permitida y la presión interna admisible. El valor menor --la presión de trabajo máxima permitida-- debe ser mayor que la presión de trabajo máxima permitida de la bomba.

4. Conecte la pistola —diseñada al menos para la presión de trabajo máxima permitida de la bomba— a la manguera de fluido (71-4995).
5. Asegúrese de que la válvula esférica

en la unidad de control de aire esté cerrada.

6. Conecte el suministro de aire comprimido en la conexión de entrada de aire.
7. La bomba está equipada con un regulador de presión de aire (0115-010183). Antes de poner en funcionamiento la línea de presión, alivie el regulador de presión desatornillando completamente el tornillo regulador. Posteriormente, haga girar el tornillo regulador en sentido horario hasta que el manómetro en el regulador indique la presión requerida.

NOTA

La bomba está equipada con una válvula de seguridad de presión de aire (0114-014774) fijada en 8 bar (116 psi).

CÓMO ENJUAGAR LA BOMBA BINKS

⚠ ADVERTENCIA

Use gafas de protección.

Cada bomba BINKS es sometida a prueba con agua durante la inspección final y enjuagada a fondo con aceite preservativo no gomoso. Con el proceso de enjuague, es posible que la humedad residual de la emulsión acuosa quede en la bomba.

Antes de poner en marcha la unidad por primera vez, se debe usar un solvente adecuado para enjuagar a fondo los restos del líquido preservante y las impurezas inevitables que se introducen durante el ensamblaje del equipo.

Proceda de la siguiente forma:

1. Prepare la bomba BINKS para su puesta en marcha como se indicó anteriormente.
2. Cierre la válvula esférica de alta presión (0114-019091) en el filtro de fluido.
3. Sumerja el kit de sifón (41-17262 ó 0115-010381) en el tanque de solvente.
4. Inserte la manguera de reflujo (0115-010327) en el tanque de solvente. Abra la válvula esférica de alta presión (0114-019091) en el filtro de fluido.

5. Abra la válvula esférica y fije el regulador de aire (0115-010183) en aproximadamente 1 bar (14.5 psi). El kit del sifón aspira ahora el solvente. El solvente retorna al tanque de solvente a través del filtro fluido de alta presión (0115-010326), la válvula esférica de alta presión (0114-019091) y la manguera de reflujo (0110-009103).

6. Quite la punta de rociado de la pistola y apunte la pistola hacia el tanque. Desenganche la palanca de seguridad de la pistola, active la pistola y cierre la válvula esférica de alta presión. El solvente retornará al tanque ahora a través del filtro fluido de alta presión (0115-010326), la manguera de fluido (71-4995) y la pistola. El tiempo de enjuague dependerá de la longitud de las líneas del material y la solubilidad del material de rociado. Recomendamos un reflujo breve con solvente "fresco".

7. Suelte el disparador de la pistola.

8. Aumente lentamente la presión en el regulador hasta la presión de trabajo máxima revisando y probando simultáneamente si todas las líneas y tornillos y clavijas de conexión están bien sellados. Si hubiese cualquier filtración en el sistema, apague la bomba BINKS de inmediato. No vuelva a poner en marcha la bomba BINKS hasta haber reparado todas las filtraciones.

9. Reduzca la presión de aire en el regulador de aire (0115-010183) otra vez y cierre la válvula esférica.

10. Asegúrese de que la manguera de reflujo (0115-010327) siga orientada hacia el tanque de solvente. Abra con cuidado la válvula esférica de alta presión (0114-019091) para reducir la presión en la manguera de fluido y en el filtro de alta presión.

11. Apunte la pistola hacia el tanque de solvente y active el disparador para reducir cualquier presión que pueda haber quedado en la manguera de fluido y en la pistola.

⚠ PRECAUCIÓN

Si está trabajando con materiales hidrotransportados, debe enjuagarse a fondo nuevamente con agua la bomba BINKS antes de ponerla en marcha.

(Continúa en la siguiente página)

PUESTA EN MARCHA Y OPERACIÓN

INICIO

1. Prepare la bomba BINKS para ponerla en marcha como se indicó anteriormente y si fuese necesario, enjuague la bomba.
2. Cierre la válvula esférica de alta presión (0114-019091) en el filtro de fluido.
3. Sumerja el kit del sifón (41-17262 ó 0115-010381) en el material de rociado que va a usar.
4. Ponga la manguera de reflujo (0115-010327) en el tanque. Después abra la válvula esférica de alta presión (0114-019091).
5. Abra la válvula esférica para el suministro de aire comprimido y use el regulador de presión (0115-010183) para fijar el suministro de aire comprimido en 1 bar (14.5 psi). La bomba aspirará ahora el material de rociado. El material de rociado retorna al tanque a través del filtro de alta presión, la válvula esférica de alta presión y el tubo de retorno.
6. Quite la punta de rociado de la pistola y apunte la pistola hacia el tanque. Desenganche la palanca de seguridad en la pistola. Active el disparador de la pistola y cierre la válvula esférica de alta presión (0114-019091). El material de rociado retornará ahora al tanque a través del filtro de alta presión, la manguera de fluido y la pistola.
7. Suelte el disparador de la pistola y fije la presión de trabajo en el regulador.

NOTA

Antes de iniciar cualquier trabajo de recubrimiento, recomendamos una prueba de rociado (por ej., sobre papel o madera). Sólo si los resultados de la prueba son los deseados debe usted comenzar a recubrir el objeto real.

SUSENSIONES DE TRABAJO

PRECAUCIÓN

Si trabaja con material de rociado 2-K, debe advertir el tiempo de empleo útil de la mezcla y observarlo con precisión. Dentro de este tiempo se debe limpiar y enjuagar cuidadosamente la unidad con el solvente recomendado. No deben quedar residuos en la bomba, el filtro de alta presión ni en la pistola.

PRECAUCIÓN

Cuando se detiene el trabajo, la palanca de seguridad de la pistola debe estar enganchada.

Para suspensiones de trabajo de entre 10 y 30 minutos, sírvase proceder de la siguiente forma:

PRECAUCIÓN

Use gafas de protección.

1. Enganche la palanca de seguridad en la pistola.
2. Interrumpa el suministro de aire comprimido cerrando la válvula esférica.
3. Abra brevemente la válvula esférica de alta presión (0114-019091), teniendo cuidado de que la manguera de reflujo (0115-010327) no esté orientada hacia otras personas ni hacia usted mismo hasta que se haya reducido la presión. Después cierre la válvula esférica de alta presión nuevamente.
4. Limpie los residuos de material de rociado del exterior de la boquilla de rociado.

APAGADO

PRECAUCIÓN

Una vez completado el trabajo, la bomba BINKS se debe limpiar a fondo. Bajo ninguna circunstancia debe permitir que los residuos de pintura se sequen en la unidad. Para limpiar la bomba, use un solvente adecuado para el material de rociado.

PRECAUCIÓN

Use gafas de protección.

1. Cierre la válvula esférica para el suministro de aire comprimido.
2. Asegúrese de que la manguera de flujo continúe orientada hacia el tanque del material de rociado. Abra cuidadosamente la válvula esférica de alta presión (0114-019091) para reducir la presión en la bomba y en el filtro de alta presión.
3. Quite la punta de rociado de la pistola.
4. Apunte la pistola hacia el tanque del material de rociado y active el disparador para reducir cualquier presión que pueda haber quedado en la manguera de fluido y en la pistola.
5. Enganche la palanca de seguridad en la pistola.
6. Quite el kit del sifón del material de rociado.

CÓMO LIMPIAR SU BOMBA BINKS

PRECAUCIÓN

No permita que el material de rociado o el solvente empapen el suelo.

PRECAUCIÓN

Use gafas de protección.

1. Limpie la bomba y el kit del sifón desde el exterior. Sumerja el sistema de succión en el tanque de solvente.
2. Limpie el sistema de punta de fluido / / punta como se describe en el boletín de servicio de la pistola de rociado. Recomendamos empapar la punta de fluido en el solvente.
3. Desenganche la palanca de seguridad de la pistola sin la punta de fluido. Active la pistola. Cierre la válvula esférica de alta presión (0114-019091). Fije la presión de entrada de aire en 1 bar (14.5 psi) y abra lentamente la válvula esférica. Deje que el solvente fluya a través del sistema para eliminar con el enjuague el material de rociado.
4. Deje que el solvente fluya a través del sistema por unos minutos hasta que el solvente fluya claro a través de la pistola. Cierre la válvula esférica y enganche la palanca de seguridad de la pistola.
5. Limpie la pistola desde el exterior y revise el filtro en el mango (si está montado).
6. Limpie el elemento filtrante del filtro de alta presión (0115-010326).
7. Limpie el filtro del kit de sifón.
8. Recomendamos mantener la bomba llena de líquido.

NOTA

Si no se va a usar la bomba por períodos prolongados, recomendamos purgar el sistema con un aceite liviano, sin silicona.

SISTEMAS MX1212 – MONTADOS EN CARRETILLA

MX1212

C

TIPO DE SELLO

PL = PTFE / Cuero
 PP = PTFE
 PU = PTFE / UHMW
 UC = Cubetas en U

PISTOLA ROCIADORA

0 = ninguno
 E = AA1600 Punta Plana
 F = AA1600 Punta de Giro
 P = Sin Aire 75

CONTROL DE AIRE

0 = ninguno
 D = Control de aire

FILTRO

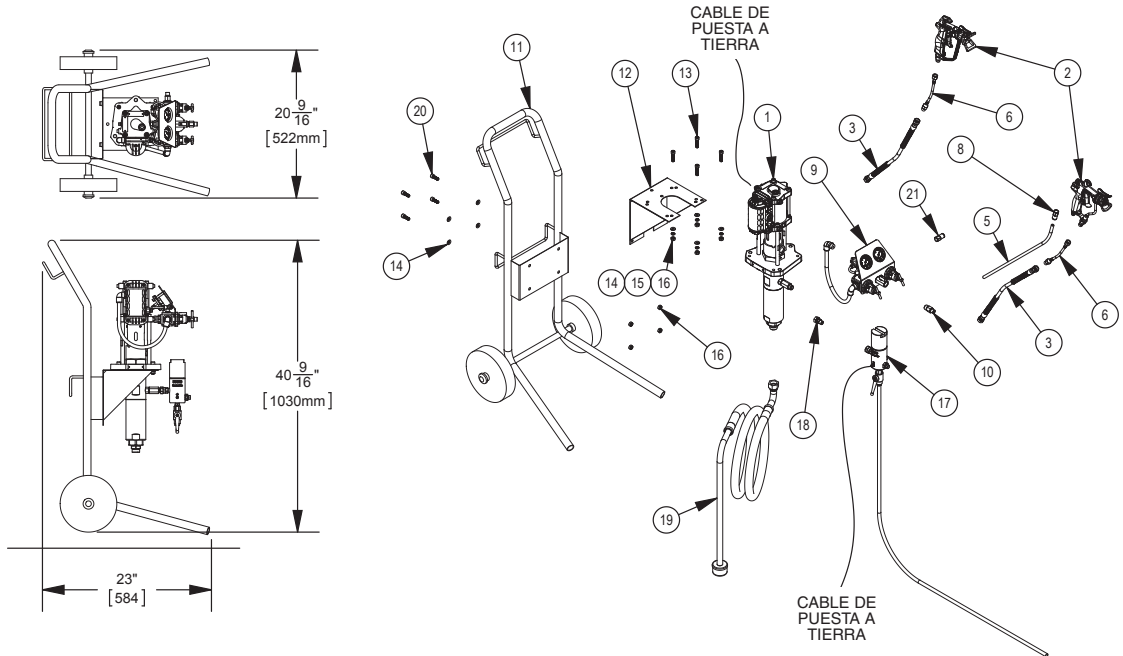
0 = ninguno
 1 = Malla 100
 2 = Malla 200

SIFÓN

0 = ninguno
 S = 5 galones
 T = 55 galones

MANGUERA

00 = ninguno
 25 = 25 pies / fusta
 50 = 50 pies / fusta



LISTA DE COMPONENTES DEL SISTEMA

ART. N°	NÚM. DE PIEZA	DESCRIPCIÓN	CANT.	HOJA DE PIEZAS
1	MX1212PL	CONJUNTO DE BOMBA DE TRASEGAR, PTFE/CUERO	1 SI EL TIPO DE SELLO = PL	77-2916
	MX1212PP	CONJUNTO DE BOMBA DE TRASEGAR, PTFE	1 SI EL TIPO DE SELLO = PP	
	MX1212PU	CONJUNTO DE BOMBA DE TRASEGAR, PTFE/UHMW	1 SI EL TIPO DE SELLO = PU	
	MX1212UC	CONJUNTO DE BOMBA DE TRASEGAR, CUBETAS EN U	1 SI EL TIPO DE SELLO = UC	
2	0909-1600-HF1310	AA1600 CONJUNTO DE PISTOLA (PUNTA PLANA 1310)	1 SI LA PISTOLA ROCIADORA = E	77-2921
	0909-1600-HT0613	AA1600 CONJUNTO DE PISTOLA (PUNTA DE GIRO 613)	1 SI LA PISTOLA ROCIADORA = F	
	0811-7500-1	SIN AIRE 75 CONJUNTO DE PISTOLA	1 SI LA PISTOLA ROCIADORA = P	77-2950
3	71-4995	MANGUERA DE FLUIDO (3/16" DI X 25 PIES, 1900 PSI)	1 SI LA LONG. DE MANGUERA = 25 2 SI LA LONG. DE MANGUERA = 50	
4	72-791	DM CONECTOR (1/4" NPS, INOX.) [NO SE MUESTRAN]	1 SI LA LONGITUD DE MANGUERA = 50	
5	71-4803	MANGUERA DE AIRE (3/8" DE TUBO X 28 PIES)	1 SI LA LONGITUD DE MANGUERA = 25	
	71-4804	MANGUERA DE AIRE (3/8" DE TUBO X 53 PIES)	1 SI LA LONGITUD DE MANGUERA = 50	
6	71-6844	MANGUERA DE FLUIDO (1/8" DI X 3 PIES, 5000 PSI)	1 SI LA LONGITUD DE MANGUERA = 25 / 50	
7	72-2332	ADAPTADOR GIRATORIO (1/4" NPS M X F) [NO SE MUESTRAN]	1 SI EL TIPO DE PISTOLA = P	
8	54-4976	CONECTOR (3/8" DIÁMETRO EXTERIOR TUBO X 1/4" NPS F)	1 SI EL TIPO DE PISTOLA = E / F	
9	0115-010180	CONJUNTO DEL CONTROL DE AIRE	1 SI EL CONTROL DE AIRE = D	
10	83-4233	DM CONECTOR (1/4" NPS/NPT X 3/8" NPS/NPT)	1 SI EL CONTROL DE AIRE = D	
11	0115-010186	CONJUNTO DEL TROLE CARGADOR	1	
12	0115-010179	SUPORTE DE BOMBA	1	
13	0115-010001	TORNILLO PRISIONERO (M8 X 35mm)	4	
14	0115-010030	TUERCA HEXAGONAL (M8)	8	
15	0115-010031	ARANDELA DE SEGURIDAD (M8)	4	
16	0115-010035	ARANDELA PLANA (M8)	8	
17	0115-010326	CONJUNTO DE FILTRO ACERO INOXIDABLE (MALLA 100)	1 SI EL TIPO DE FILTRO = 1	
	0115-010630	CONJUNTO DE FILTRO ACERO INOXIDABLE (MALLA 200)	1 SI EL TIPO DE FILTRO = 2	
18	103-1238	ADAPTADOR GIRATORIO (3/8" NPS F X 1/4" NPT/NPS M)	1 SI NINGÚN FILTRO	
19	41-17262	KIT DEL SIFÓN DE 5 GALONES	1 SI EL TAMAÑO SIFÓN = S	
	0115-010381	KIT DEL SIFÓN DE 55 GALONES	1 SI EL TAMAÑO SIFÓN = T	
20	0115-010227	TORNILLO PRISIONERO (M8 X 25)	4	
21	85-521	ACODADO GIRATORIO (3/8" DIÁMETRO EXTERIOR TUBO X 1/4" NPT)	1 SI EL CONTROL DE AIRE = D	

SISTEMAS MX1212 – MONTAJE MURAL

MX1212

W

TIPO DE SELLO

PL = PTFE / Cuero
 PP = PTFE
 PU = PTFE / UHMW
 UC = Cubetas en U

PISTOLA ROCIADORA

0 = ninguno
 E = AA1600 Punta Plana
 F = AA1600 Punta de Giro
 P = Sin Aire 75

CONTROL DE AIRE

0 = ninguno
 D = Control de aire

FILTRO

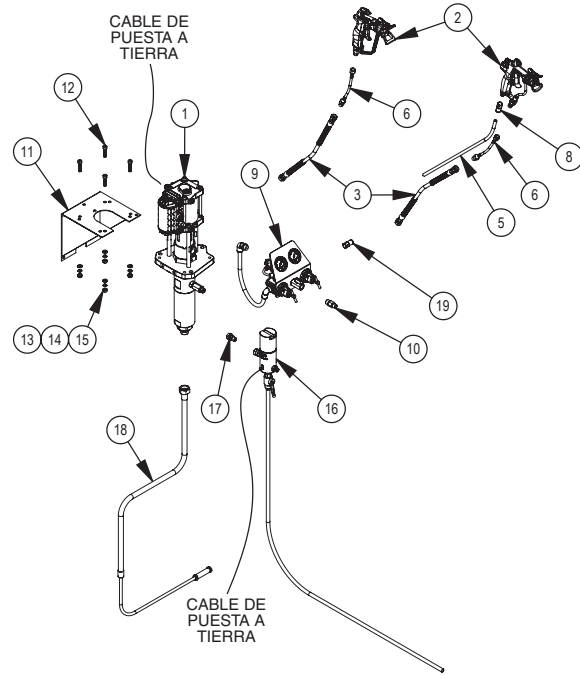
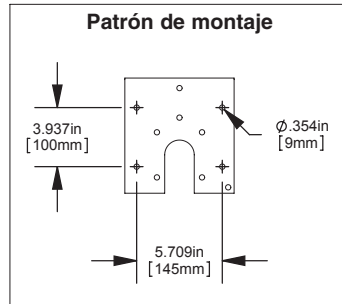
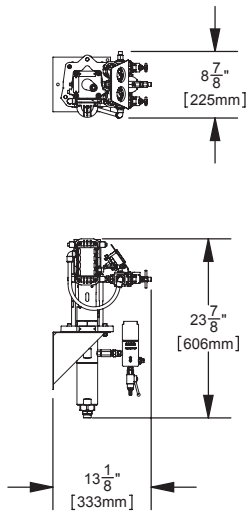
0 = ninguno
 1 = Malla 100
 2 = Malla 200

SIFÓN

0 = ninguno
 S = 5 galones
 T = 55 galones

MANGUERA

00 = ninguno
 25 = 25 pies / fusta
 50 = 50 pies / fusta



LISTA DE COMPONENTES DEL SISTEMA

ART. N°	NÚM. DE PIEZA	DESCRIPCIÓN	CANT.	HOJA DE PIEZAS
1	MX412PL	CONJUNTO DE BOMBA DE TRASEGAR, PTFE/CUERO	1 SI EL TIPO DE SELLO = PL	77-2916
	MX412PP	CONJUNTO DE BOMBA DE TRASEGAR, PTFE	1 SI EL TIPO DE SELLO = PP	
	MX412PU	CONJUNTO DE BOMBA DE TRASEGAR, PTFE/UHMW	1 SI EL TIPO DE SELLO = PU	
	MX412UC	CONJUNTO DE BOMBA DE TRASEGAR, CUBETAS EN U	1 SI EL TIPO DE SELLO = UC	
2	0909-1600-HF1310	AA1600 CONJUNTO DE PISTOLA (PUNTA PLANA 1310)	1 SI LA PISTOLA ROCIADORA = E	77-2921
	0909-1600-HT0613	AA1600 CONJUNTO DE PISTOLA (PUNTA DE GIRO 613)	1 SI LA PISTOLA ROCIADORA = F	77-2950
	0811-7500-1	SIN AIRE 75 CONJUNTO DE PISTOLA	1 SI LA PISTOLA ROCIADORA = P	
3	71-4995	MANGUERA DE FLUIDO (3/16" DI X 25 PIES, 1900 PSI)	1 SI LA LONG. DE MANGUERA = 25 2 SI LA LONG. DE MANGUERA = 50	
4	72-791	DM CONECTOR (1/4" NPS, INOX.) [NO SE MUESTRAN]	1 SI LA LONGITUD DE MANGUERA = 50	
5	71-4803	MANGUERA DE AIRE (3/8" DE TUBO X 28 PIES)	1 SI LA LONGITUD DE MANGUERA = 25	
	71-4804	MANGUERA DE AIRE (3/8" DE TUBO X 53 PIES)	1 SI LA LONGITUD DE MANGUERA = 50	
6	71-6844	MANGUERA DE FLUIDO (1/8" DI X 3 PIES, 5000 PSI)	1 SI LA LONGITUD DE MANGUERA = 25 / 50	
7	72-2332	ADAPTADOR GIRATORIO (1/4" NPS M X F) [NO SE MUESTRAN]	1 SI EL TIPO DE PISTOLA = P	
8	54-4976	CONECTOR (3/8" DIÁMETRO EXTERIOR TUBO X 1/4" NPS F)	1 SI EL TIPO DE PISTOLA = E / F	
9	0115-010180	CONJUNTO DEL CONTROL DE AIRE	1 SI EL CONTROL DE AIRE = D	
10	83-4233	DM CONECTOR (1/4" NPS/NPT X 3/8" NPS/NPT)	1 SI EL CONTROL DE AIRE = D	
11	0115-010179	SUORTE DE BOMBA	1	
12	0115-010001	TORNILLO PRISIONERO (M8 X 35mm)	4	
13	0115-010030	TUERCA HEXAGONAL (M8)	4	
14	0115-010031	ARANDELA DE SEGURIDAD (M8)	4	
15	0115-010035	ARANDELA PLANA (M8)	4	
16	0115-010326	CONJUNTO DE FILTRO ACERO INOXIDABLE (MALLA 100)	1 SI EL TIPO DE FILTRO = 1	
	0115-010630	CONJUNTO DE FILTRO ACERO INOXIDABLE (MALLA 200)	1 SI EL TIPO DE FILTRO = 2	
17	103-1238	ADAPTADOR GIRATORIO (3/8" NPS F X 1/4" NPT/NPS M)	1 SI NINGÚN FILTRO	
18	41-17262	KIT DEL SIFÓN DE 5 GALONES	1 SI EL TAMAÑO SIFÓN = S	
	0115-010381	KIT DEL SIFÓN DE 55 GALONES	1 SI EL TAMAÑO SIFÓN = T	
21	85-521	ACODADO GIRATORIO (3/8" DIÁMETRO EXTERIOR TUBO X 1/4" NPT)	1 SI EL CONTROL DE AIRE = D	

CONJUNTOS DE FILTRO DE ALTA PRESIÓN DE ACERO INOXIDABLE

0115-010326 (FILTRO DE MALLA 100)

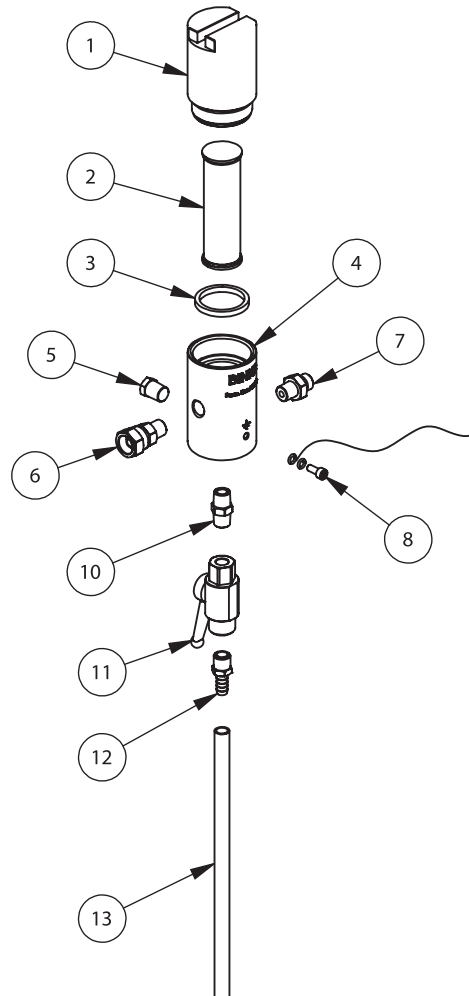
0115-010630 (FILTRO DE MALLA 200)

ESPECIFICACIONES	
Presión de trabajo máx.:	272 bar (3945 psi)
Conexión para entrada de fluido:	3/8" BSP (f)
Conexión para salida de fluido:	1/4" NPS (m)
Materiales de construcción de las piezas humedecidas:	Acero inoxidable, PTFE

Tamaños de mallas de filtro adicionales
(se vende por separado):

Para el orden de malla 50: 0110-009131

Para el orden de malla 150: 0010-009133

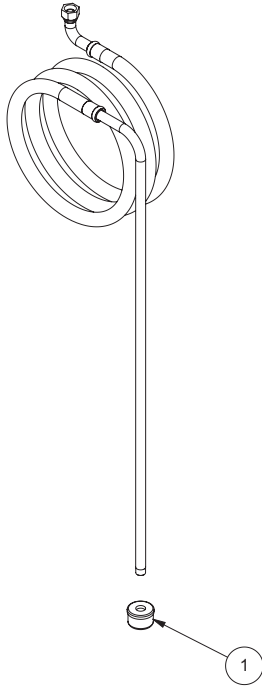

LISTA DE PIEZAS

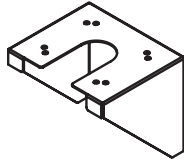
ART. N°.	PIEZA N°	DESCRIPCIÓN	0115-010326 CANT.	0115-010630 CANT.
1	0115-010399	CAPUCHÓN DEL FILTRO	1	1
2	0110-009134	FILTRO DE MALLA 200	0	1
	0110-009132	FILTRO DE MALLA 100	1	0
3	0114-016061	EMPAQUE	1	1
4	0115-010398	CUBIERTA DEL FILTRO	1	1
5	0115-010600	TAPÓN	1	1
6	0114-016058	BOQUILLA ACOPLADORA GIRATORIA	1	1
7	0114-016059	ACCESORIO DE SALIDA	1	1
8	0114-016243	KIT DE ALAMBRE DE PUESTA A TIERRA	1	1
10	0114-019090	ACCESORIO DE DESCARGA	1	1
11	0114-019091	VÁLVULA ESFÉRICA DE ALTA PRESIÓN	1	1
12	0114-019985	CONEXIÓN PARA LA MANGUERA	1	1
13	0115-010327	MANGUERA DE DRENAJE DEL FILTRO	1	1

ACCESORIOS DEL SISTEMA**0115-010381 KIT DEL SIFÓN DE 55 GALONES
y
41-17262 KIT DEL SIFÓN DE 5 GALONES****LISTA DE PIEZAS**

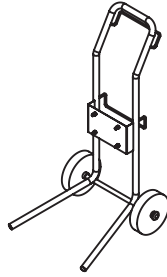
Al hacer su pedido, sírvase especificar el número de la pieza.

ART. N°	PIEZA N°	DESCRIPCIÓN	CANT.
1	41-2661	FILTRO DE ACERO INOXIDABLE 1/2 NPSM x MALLA 30	1



ACCESORIOS PARA SU BOMBA MX1212

SOPORTE
0115-010179



CONJUNTO DEL TROLE CARGADOR
0115-010186

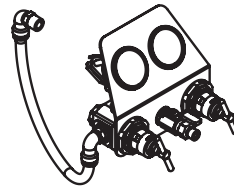


FILTRO DE FLUIDO (MALLA 100)
0115-010326

FILTRO DE FLUIDO (MALLA 200)
0115-010630



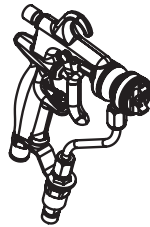
KITS DE SIFÓN
41-17262 (5 GAL)
0115-010381 (55 GAL)



CONTROLES DEL AIRE
0115-010180



ACEITE LUBRICANTE PARA
BOMBA DE FLUIDO FX12
0114-009433
(materiales a base de solventes)
0114-014871
(materiales a base de agua)



PISTOLAS ROCIADORAS CON
ASISTENCIA DE AIRE

0909-1600-HF0000
(AA1600 pistola con punta plana)

0909-1600-HT0000
(AA1600 pistola con la punta
de giro)

Boletín de mantenimiento 77-2921

GARANTÍA

Este producto está cubierto por la Garantía Limitada por 5 Años de Binks.

Centros de venta y servicios de Binks: www.binks.com

BINKS

Servicio al Cliente en EE.UU./Canadá
195 Internationale Blvd.
Glendale Heights, IL 60139 EE.UU.
630-237-5000

Teléfono gratuito de servicio al
cliente y servicio técnico
800-992-4657
Fax gratuito
888-246-5732