

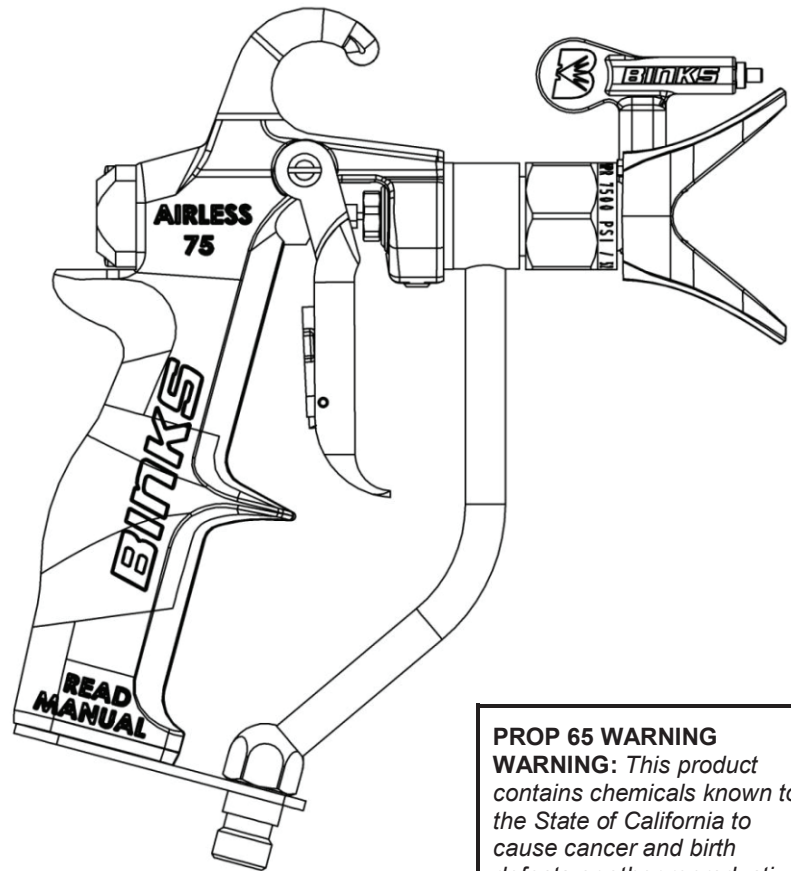
Airless 75

7500 PSI AIRLESS SPRAY GUNS

0811-7500-1, 0811-7500-2, 0811-7500-3



The following instructions provide the necessary information for the proper operation and preventive maintenance of the Binks Airless 75 Spray Gun. Please read and understand all information in this document in order to get the maximum performance from your new Airless 75 spray gun.



PROP 65 WARNING
WARNING: This product contains chemicals known to the State of California to cause cancer and birth defects or other reproductive harm.

SPECIFICATIONS:

Maximum Fluid Pressure:	7500 Psi/517Bar
Maximum Fluid Temperature (with heat guard installed)	175°F
Gun Body:	Forged Aluminum
Fluid Path:	Stainless Steel
Fluid Inlet Size:	1/4" NPS(m) Thread
Gun Weight:	660 g / 23.3 oz

IMPORTANT! DO NOT DESTROY

It is the customer's responsibility to have all operators and service personnel read and understand this manual.

Contact your local Binks representative for additional copies of this manual

READ ALL INSTRUCTIONS BEFORE OPERATING THIS BINKS PRODUCT
INSTRUCTIONS ALSO AVAILABLE ON WWW.BINKS.COM

Product Description/Object of Declaration: Airless 75 Guns

This Product is designed for use with: Solvent and Water based Materials

Suitable for use in hazardous area: Zone 1

Protection Level: II 2 G X

Notified body details and role: Element Materials Technology. WN8 9PN UK
Lodging of Technical file

This Declaration of Conformity /incorporation is issued under the sole responsibility of the manufacturer: Carlisle Fluid Technologies,
320 Phillips Ave.,
Toledo, OH 43612

EU Declaration of Conformity



The object of the declaration described above is in conformity with the relevant Union harmonisation legislation:

Machinery Directive 2006/42/EC
ATEX Directive 2014/34/EU

by complying with the following statutory documents and harmonized standards:

EN ISO 12100:2010 Safety of Machinery - General Principles for Design

EN 13463-1:2009 Non electrical equipment for use in potentially explosive atmospheres - Basic methods and requirements

EN 1953:2013 Atomising and spraying equipment for coating materials. Safety requirements

The object of the declaration described above is in conformity with the relevant Union harmonisation legislation: Directive 94/9/EC (until April 19th, 2016) and Directive 2014/34/EU (from April 20th, 2016)

Providing all conditions of safe use / installation stated within the product manuals have been complied with and also installed in accordance with any applicable local codes of practice.

Signed for and on behalf of
Carlisle Fluid Technologies:

DJ Hasselschwert
14-Apr-16

(Vice President: Global
Product Development)
Toledo, OH 43612

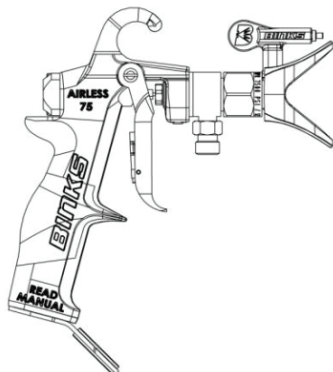
4-3193R-1

Airless 75 7500 PSI Airless Spray Gun

For trained, professional use only!

Maximum working pressure: 7500 PSI
– 517 BAR – 51.7 Mpa

Models 0811-7500-1, 0811-7500-2, 0811-7500-3

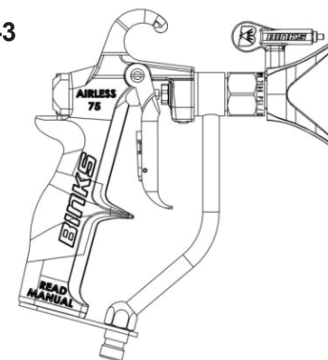


0811-7500-2
0811-7500-3

SAFETY, OPERATING AND MAINTENANCE INSTRUCTIONS INSIDE!!

Read all warnings and
operating information inside

SAVE THIS MANUAL FOR FUTURE
REFERENCE



0811-7500-1

Contact your local Binks
representative for Additional copies of
this manual

The following instructions provide the necessary information for other operation and preventative maintenance of the **BINKS Airless 75 7500 PSI Airless Spray Gun**. It is the customer's responsibility to have all operators and service personnel read and understand this manual. Please read and understand all information in this document in order to safely operate your new spray gun.

WARNING

EYE HAZARD: Failure to wear safety glasses with side shields could result in serious injury or blindness. All operators and bystanders must always wear safety glasses with side shields that conform to ANSI Standard Z87.1 or European Norm 156.

WARNING

HAZARD: INJECTION INJURY – a high pressure stream produced by this equipment can pierce the skin and underlying tissues, leading to a serious injury and possible amputation. See a physician immediately.

DO NOT TREAT AN INJECTION INJURY AS A SIMPLE CUT! Injection can lead to amputation. See a physician immediately.

WARNING

HAZARD: BURN HAZARD: When using the Airless 75 with a fluid heater, equipment surfaces can become very hot. **ALWAYS** use heat guard 54-7527 when spraying heated materials. Do not exceed 175°F fluid temperature. Do not exceed manufacturer recommended fluid temperature.

SAFETY PRECAUTIONS:

KEEP CLEAR OF NOZZLE: Do not exceed maximum working pressure of 7500 PSI (517 BAR, 51.7 Mpa).

PREVENTION:

NEVER Aim the gun at any part of the body.

NEVER Allow any part of the body to touch the fluid stream. **DO NOT** allow body to touch a leak in the fluid hose.

NEVER Put hand in front of the gun. Gloves will not provide protection against an injection injury.

ALWAYS lock the gun trigger, shut the pump off, and release all pressure before servicing, cleaning the tip or guard, changing the tip, or leaving unattended. Pressure will not be released by turning off the motor. The PRIME/SPRAY valve must be turned to PRIME to relieve the pressure. Refer to the PRESSURE RELIEF PROCEDURE described in the pump manual.

ALWAYS Keep the tip guard in place while spraying. The tip guard provides some protection, but is mainly a warning device.

ALWAYS Remove the spray tip before flushing or cleaning the system.

The paint hose can develop leaks from wear, kinking, and abuse. A leak can inject material into the skin. Inspect the hose before each use.

NEVER Use a spray gun without a trigger lock and trigger guard in place and in good working order.

All accessories must be rated at 7500 PSI (517 BAR) or higher. This includes spray tips, guns, extensions, and hose.

NOTE TO PHYSICIAN:

Injection into the skin is a traumatic injury. It is important to treat the injury as soon as possible. **DO NOT DELAY** treatment to research toxicity. Toxicity is a concern with some coatings injected directly into the blood stream. Consultation with a plastic surgeon or reconstructive hand surgeon may be advisable



HAZARD EXPLOSION OR FIRE – Solvent and paint fumes can explode or ignite. Severe injury and/or property damage can occur.

PREVENTION:

Provide extensive exhaust and fresh air introduction to keep the air within the spray area free from accumulation of flammable vapors.

Avoid all ignition sources such as static electricity sparks, electrical appliances, flames, pilot lights, hot objects, and sparks from connecting and disconnecting power cords or working light switches.

Do not smoke in spray area.

Fire extinguisher must be present and in good working order.

Place pump at least 25 feet (7.6 m) away from the spray object in a well ventilated area. Add more hose if necessary. Flammable vapors are often heavier than air. Floor area must be extremely well ventilated. The pump may contain arcing parts that emit sparks and can ignite vapors.

The equipment and objects in and around the spray area must be properly grounded to prevent static sparks.

Use only conductive or grounded high pressure fluid hose. Gun must be grounded through hose connections.

Power cords must be connected to a grounded circuit.

Always flush unit into a separate metal container, at low pump pressure, with spray tip removed. Hold gun firmly against side of container to ground container and prevent static sparks.

Follow the material and solvent manufacturer's warnings and instructions.

Use extreme caution when using materials with a flashpoint below 70° F (21° C). Flashpoint is the temperature that a fluid can produce enough vapor to ignite.

Plastic can cause static sparks. Never hang plastic to enclose a spray area. Do not use plastic drop cloths when spraying flammable materials.

Use lowest possible pressure to flush equipment



HAZARD: EXPLOSION HAZARD DUE TO INCOMPATIBLE MATERIALS – will cause severe injury or property damage.

PREVENTION:

Do not use materials containing bleach or chlorine.

Do not use halogenated hydrocarbon solvents such as bleach, mildewcide, methylene chloride and 1,1,1 trichloroethane. They are not compatible with aluminum.

Contact your coating supplier about the compatibility of material with aluminum.



HAZARD: HAZARDOUS VAPORS – Paints, solvents, insecticides, and other materials can be harmful if inhaled or come in contact with the body. Vapors can cause severe nausea, fainting, or poisoning.

PREVENTION:

Use a respirator or mask if vapors can be inhaled. Read all instructions supplied with the mask to be sure it will provide the necessary protection.

Wear protective eyewear.

Wear protective clothing as required by coating manufacturer.



HAZARD: GENERAL – Can cause severe injury or property damage.

PREVENTION:

Read all instructions and safety precautions before operating equipment.

Always disconnect the motor from the power supply before working on the equipment.

Follow all appropriate local, state and national codes governing ventilation, fire prevention, and operation.

The United States Government Safety Standards have been adopted under the Occupational Safety and Health Act (OSHA). These standards, particularly part 1926 of the Construction Standards should be consulted.

Use only manufacturer authorized parts. User assumes all risks and liabilities when using parts that do not meet the minimum specifications and safety devices of the pump manufacturer.

Before each use, check all hoses for cuts, leaks, abrasion, or bulging of cover. Check for damage or movement of couplings. Immediately replace the hose if any of these conditions exist. Never repair a paint hose. Replace it with another grounded high-pressure hose.

All hoses, swivels, guns, and accessories must be pressure rated at or above the maximum operating pressure range of the airless sprayer.

Do not spray outdoors on windy days.

Wear protective clothing to keep paint off skin and hair.



The following are general WARNINGS related to the setup, use, grounding, maintenance and repair of this equipment.

FIRE AND EXPLOSION HAZARD – Flammable fumes, such as solvents and paint fumes, in work area can ignite or explode. To help prevent fire and explosion:

Use equipment only in well ventilated area. Provide fresh air ventilation to avoid the buildup of flammable fumes from the material being sprayed or from the solvent.

Eliminate all ignition sources; such as pilot lights, cigarettes, portable electric lamps, and plastic drop cloths (potential static arc).

Keep work area free of debris; including solvent, rags, and gasoline.

Sprayers generate sparks. When flammable liquid is used in or near sprayer or for flushing or cleaning, keep sprayer at least 25 feet (7.6m) away from explosive vapors.

Electrically disconnect all equipment in the spray area. Do not plug or unplug power cords or turn lights on or off when flammable fumes are present.

Ground equipment and conductive objects in work area. Ground object being sprayed.

If there is static sparking or you feel a shock, **stop operating immediately**. Do not use equipment until you identify and correct the problem.

Keep a fire extinguisher in the work area.

SKIN INJECTION HAZARD

High pressure fluid from spray gun, hose leaks, or ruptured components will pierce skin. This may look like just a cut, but is a serious injury that can cause amputation. **Seek immediate surgical treatment. Inform the physician as to what type of material was injected.**

Do not point gun at anyone or any part of the body.

Do not put your hand or fingers over the spray tip.

Do not stop or deflect leaks with your hand, body, glove or rag.

Do not spray without tip guard installed.

Engage trigger lock when not spraying.

Follow pressure relief procedure for your sprayer when you stop spraying and before cleaning, checking or servicing your equipment.

Tighten all fluid connections before operating equipment.

Check all hoses, tubes, and couplings daily. Replace all worn, damaged, or loose parts immediately.

EQUIPMENT MISUSE HAZARD

This equipment is for professional use only.

Read and understand all instructional manuals, tags, and labels before operating equipment.

Use equipment only for its intended purpose. If you are unsure of its purpose, call your local BINKS distributor.

Misuse can cause death or serious injury.

Do not exceed the maximum working pressure or temperature rating of the lowest rated system component. See the technical data in all equipment manuals.

Use fluids and solvents that are compatible with your equipment wetted parts. See technical data in all equipment manuals. Read fluid and solvent manufacturer's warnings. For complete information about your material, request a MSDS from your distributor or retailer.

Check your equipment daily. Do not alter or modify your equipment. Repair or replace worn or damaged parts immediately with genuine BINKS Replacement Parts only.

Do not alter or modify this equipment.

Use equipment only for its intended purpose. Call Binks for more information.

Route hoses and cables away from traffic areas, sharp edges, moving parts and hot surfaces.

Do not kink or over bend hoses or use hoses to pull equipment.

Use genuine BINKS hoses. If provided, do not remove the spring guards from hoses, these are on the hoses to prevent rupture from kinking at the connectors.

Keep children and animals away from work area.

Comply with all applicable safety regulations.

Do not operate equipment when fatigued or under the influence of drugs or alcohol.

TOXIC FLUID HAZARD

Know the specific hazards of the fluid you are using. This information is on the MSDS for the material that is being used. Read all fluid manufacturer's warnings.

Store hazardous fluids in approved containers only. Dispose of all hazardous fluids in accordance with all state, local and national guidelines.

Wear the appropriate protective clothing, gloves, eyewear and respirator.

GROUNDING AND ELECTRIC REQUIREMENTS

The sprayer and gun must be grounded. Grounding reduces the risk of static and electric shock by providing an escape wire for the electrical current due to static build up or in the event of a short circuit. Follow the grounding instructions included in the equipment manual provided with all your spray equipment. Additional grounding instructions for your BINKS Airless 75 Spray Gun are provided:

Ground your BINKS Airless 75 Spray Gun through connection to a properly grounded fluid hose and pump.

SET UP INSTALLATION

WARNING

Never attempt to assemble, change, or clean the gun, tip, or tip guard without first relieving pressure from the spray system. Follow the "PRESSURE RELIEF PROCEDURE" in the sprayer's equipment manual.

WARNING

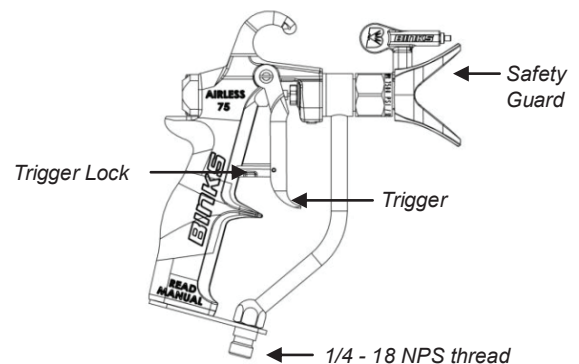
Always use tip safety guard for added protection against injection. Beware that the guard alone will not prevent injection. NEVER cut off tip guard! Always engage gun trigger lock when the gun is not in use. Before servicing equipment, consult all equipment manuals and follow all warnings.

WARNING

Do not allow fluid to exceed the fluid manufactures recommended maximum temperature. Gun must include heat guard (54-7527) to be used with heated materials.

Note: BINKS Airless Spray Gun Safety Tip Guards for the 7500 PSI (517 BAR) gun are gray in color.

BINKS Airless 75 PROFESSIONAL AIRLESS SPRAY GUNS



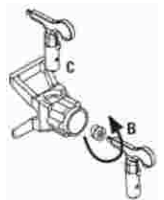
If you are using a genuine BINKS tip, follow the instructions below to install the guard and tip. If you are using a different tip, follow the installation instructions provided with the tip that you are using.

INSTALLATION OF THE TIP AND GUARD

1. Make sure that the tip and tip guard are rated for use at 7500 PSI. (Genuine BINKS parts will be gray in color.)
2. Use seal alignment tool on BINKS tip handle to insert seal and pressure gasket into back of guard, turn to align with tip shaft opening.
3. Insert tip into opening on BINKS guard.

NOTE: Narrow end of tip handle should be in forward position for spraying.

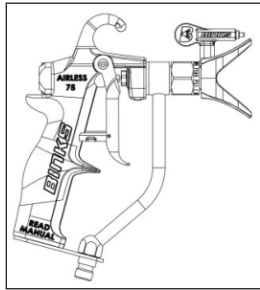
4. Thread the guard onto gun head until it stops. Tighten slightly with wrench ' DO NOT OVER TIGHTEN.



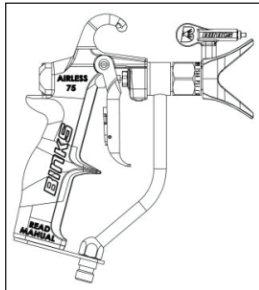
CONNECTION TO THE HOSE

Attach a properly grounded fluid hose to the fluid hose connection fitting (1/4" 18 NPS thread) on the bottom of the handle of your spray gun. Use two (2) wrenches ' one on the gun and one on the hose. Tighten securely.

Trigger Lock Positions



LOCKED



UNLOCKED

GUN OPERATION

1. Make sure your tip is in the spray position.
2. Start your sprayer following the instructions provided in the equipment owner's manual.
3. Pull trigger to achieve flow through gun.
4. Adjust the fluid pressure on the sprayer until proper atomization is achieved. Always spray at the lowest pressure necessary to get the desired atomization.

TIP CLOGS

If you are using a Genuine BINKS spray tip, follow the instructions below to clear a clogged tip. If you are using a different tip, follow the instructions included in the equipment manual provided with that tip.

1. Engage Trigger Lock. Rotate tip handle 180° to the reverse position.
2. Unlock trigger. Point the gun into a bucket holding the gun nose away from you. Trigger the gun briefly to expel the clog.
3. Engage Trigger Lock. Rotate tip handle 180° to the spray position.
4. Unlock trigger. Spray a test to be sure the clog is completely expelled.

NOTE: If clog is not completely expelled after following the above steps, repeat steps 1-4 until the clog is completely cleared.

CLEANING AND MAINTENANCE

CLEAN DAILY

Maintaining a clean gun is important to ensure trouble-free operation and extend the service life of your gun. Always flush the gun thoroughly after each use and store in a warm, dry location. DO NOT leave the gun or any of its parts in water or solvents.

Always flush gun outside if possible and at least 25 ft (7.5 m) away from sprayer.

Area must be free of flammable vapors.

Always flush at minimum pressure. Always remove tip and guard.

Static electricity buildup may result in fire or explosion in the presence of flammable vapors.

Always hold the gun firmly against a grounded, metal container when flushing.

TROUBLESHOOTING

Spray gun distance from work surface should be at a point where maximum fan pattern is evident. This distance is normally 8 to

14 inches.

Excessive fluid pressure will distort the spray pattern. Spray at the lowest acceptable pressure.

Hour-glass and tails on spray patterns normally indicate too low a fluid pressure for the nozzle tip orifice size or the material is too viscous or thick. Increase the pressure or thin the material.

Distorted patterns may be the result of worn or plugged tips. Clean (see tip clogs) or replace the spray tip.

Airless spray guns are either on or off. You cannot feather with airless guns as you can with air atomized equipment.

Successive strokes may require overlapping. Typical overlap is 30%.

TO REPLACE NEEDLE ASSEMBLY (11)

1. Shut off power supply to pump and release pressure from gun. Remove gun from hose.
2. Remove screws and rear cap. (15)
3. Remove trigger and trigger stud (10)
4. Unscrew gland nut.
5. Pull needle assembly out from back of gun.
7. Reinsert needle assembly (of step 5) into position through back of gun body assembly. Tighten gland nut.
8. Reassemble items.

TO REPLACE PACKING

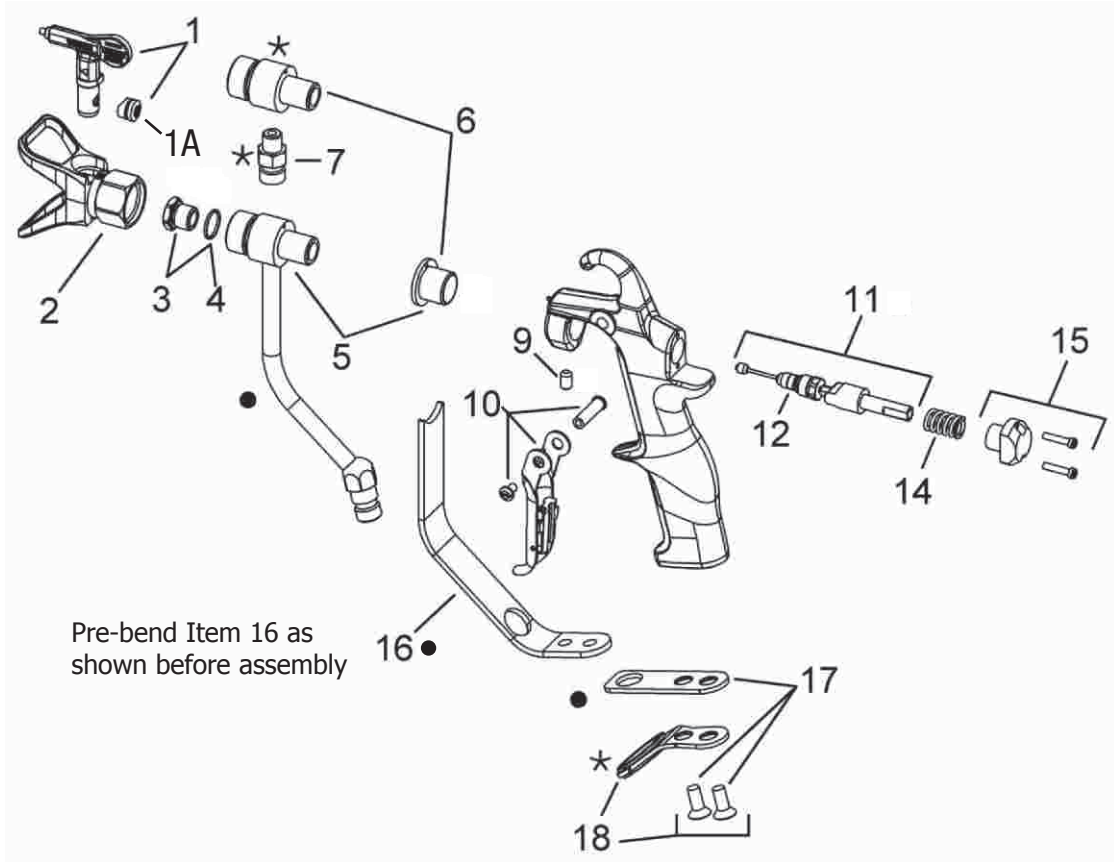
1. Remove needle assembly following steps 1-5 under 'To Replace Needle Assembly'.
2. Locate slot in packing gland (12), pry apart and push off.
3. Replace with new packing gland, and reassemble.

TO ADJUST PACKING GLAND

1. Shut off power supply to pump and release pressure from gun. Remove gun from hose.
2. Use 7/16" open-end wrench to turn gland nut clockwise to eliminate any leakage at gland.
3. If sluggish trigger operation is noted, turn gland nut counterclockwise in 1/16 turn increments until drag is eliminated.
4. If leakage cannot be stopped without excessive drag on trigger, replace packing.

Spraying of heated materials will require installation of the heat guard 54-7527. To install the heat guard (16):

1. Shut off power supply to pump and release pressure from gun. Remove gun from hose.
2. Remove screws and bracket (17) from bottom of the gun. Install the heat guard (16) and replace bracket and screws.



Item No.	Part No.	Description	Quantity
1		Twist Tip 7500 psi, see chart	1
1A	54-7539-K2	Twist Tip Brace Kit	1
2	1108-75B	7500 psi Twist Tip Guard	1
3A	54-7511-K	Diffuser Nut Kit 0811-7500-1, 0811-7500-2	1
3B	54-7537-K	Diffuser Nut Kit 0811-7500-3	1
4	54-2096-K5	Washer (Kit of 5)	1
5	54-7518-K	Fluid Tube Assembly kit	1
6	54-7523-K	Gun Head Kit	1
7	72-792	Inlet Adapter	1
9	20-5865-K3	Set Screw (Kit of 3)	1
10	54-7534-K	Trigger Kit	1
11	54-7512	Needle Assembly	1
12	54-2949	Packing Gland	1
14	54-7508	Spring	1
15	54-7530-K	Rear Cap Kit	1
16	54-7527	Heat Guard (Accessory)	
17	54-7510-K	Bracket Kit	1
18	54-7519-K	Hose Retainer	1

- 0811-7500-1 only.
- ★ 0811-7500-2, 0811-7500-3

BINKS SPRAY TIP SELECTION CHART

PART NUMBER 9-XXX-75 (Tips rated for use at 7500 psi)
All of the following tips will have a grey tip handle

	4" spray pattern	6" spray pattern	8" spray pattern	10" spray pattern	12" spray pattern	14" spray pattern
.007" orifice		307				
.009" orifice		309	409	509		
.011" orifice	211	311	411	511	611	
.013" orifice	213	313	413	513	613	713
.015" orifice	215	315	415	515	615	715
.017" orifice	217	317	417	517	617	717
.019" orifice		319	419	519	619	
.021" orifice			421	521	621	
.023" orifice				523	623	
.025" orifice				525	625	
.027" orifice					627	
.031" orifice					631	
.035" orifice			435		635	

BINKS ACCESSORIES

ORDER NUMBER	DESCRIPTION
72-2332	Swivel Adapter 1/4" M x 1/4" F
72-2333	Swivel Adapter 3/8" M x 1/4" F
72-2340	Swivel Adapter with inlet filter (60 Mesh)
72-2341	Swivel Adapter with inlet filter (100 Mesh)
54-1836	60 Mesh filter
54-1835	100 Mesh filter
52-5208	36" Airless Tip Extension
52-5209	60" Airless Tip Extension
72-2339	High Pressure "Y" Block (7,250 psi max)

BINKS AIRLESS FLUID HOSE

ORDER NUMBER	DESCRIPTION
71-4870	Hose Whip 1/4" F x 3/8" M 3 ft, 10,000 psi working pressure
71-4840	Hose 1/4" x 25 ft 10,000 psi working pressure
71-4841	Hose 1/4" x 50 ft 10,000 psi working pressure
71-4860	Hose 3/8" x 25 ft 8,000 psi working pressure
71-4861	Hose 3/8" x 50 ft 8,000 psi working pressure

NOTES

Descripción del producto / Objeto de la Declaración :	Airless 75 Guns
Este Producto está diseñado para su uso con:	Materiales de base de agua y disolventes
Adecuado para su uso en áreas peligrosas:	Zona 1
Nivel de protección:	II 2 G X
Notificado de carrocería y papel :	Element Materials Technology. WN8 9PN UK Presentación de Ficha técnica
Esta declaración de conformidad / incorporación se expide bajo la exclusiva responsabilidad del fabricante:	Carlisle Fluid Technologies, 320 Phillips Ave., Toledo, OH 43612

Declaración de conformidad EU



El objeto de la declaración descrita anteriormente es conforme con la legislación de armonización de la Unión pertinente :

Directiva de máquinas 2006/42/CE

Directiva ATEX 2014/34/EU

ya que es conforme con las siguientes normas armonizadas y documentos estatutarios:

EN ISO 12100:2010 Seguridad de las máquinas - Principios generales para el diseño

EN 13463-1:2009 Equipos no eléctricos destinados a atmósferas potencialmente explosivas - Requisitos y metodología básica

EN 1953:2013 Atomización y pulverización equipos para materiales de recubrimiento. Requerimientos de seguridad.

El objeto de la declaración descrita anteriormente es conforme con la legislación de armonización de la Unión pertinente : Directiva 94/9 / CE (hasta abril 19 de , 2016) , y la Directiva 2014/34 / UE (del 20 de abril , 2016)

Proporcionar todas las condiciones de uso seguro / instalación indicado en los manuales de los productos se han cumplido y también se instala de acuerdo con todos los códigos locales aplicables de la práctica .

Signed for and on behalf of
Carlisle Fluid Technologies:

DJ Hasselschwert
14-Apr-16

(Vice President: Global
Product Development)
Toledo, OH 43612

4-3193R-1

Airless 75

Pistola pulverizadora sin aire de 7500 PSI

¡Únicamente para uso por personal capacitado y profesional!

Presión de trabajo máxima: 7500 PSI – 517 BAR – 51.7 Mpa

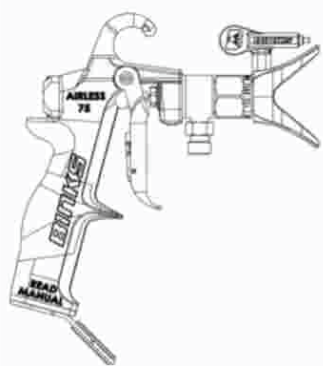
Modelos 0811-7500-1, 0811-7500-2, 0811-7500-3

**¡¡INSTRUCCIONES DE SEGURIDAD,
DE OPERACIÓN Y DE MANTENIMIENTO
EN PÁGINAS INTERIORES!!**

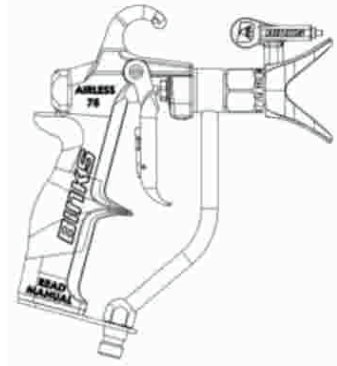
Lea todas las advertencias y la información de
operación en páginas interiores

**GUARDE ESTE MANUAL PARA REFERENCIA
FUTURA**

**Contacte a su representante local Binks para
obtener copias adicionales de este manual**



**0811-7500-2
0811-7500-3**



0811-7500-1

Las siguientes instrucciones proporcionan la información necesaria para la debida operación y el mantenimiento preventivo de la Pistola pulverizadora sin aire de 7500 PSI Airless 75 de **BINKS**. Es responsabilidad del cliente que todos los operadores y personal de servicio lean y entiendan este manual. Sírvase leer y comprender toda la información contenida en este documento para operar sin riesgo su nueva pistola pulverizadora.

⚠ ADVERTENCIA

PELIGRO EN LOS OJOS: El incumplimiento de usar gafas de seguridad con protección lateral puede resultar en lesiones graves o ceguera. Todos los operadores y personal adyacente tienen que usar gafas de seguridad con protectores laterales que se ajustan a la Norma ANSI Z87.1 o la Norma Europea 156.

⚠ ADVERTENCIA

PELIGRO: LESIÓN POR INYECCIÓN – una corriente de alta presión producida por este equipo puede perforar la piel y los tejidos subyacentes, produciendo una lesión grave y posible amputación. Ver a un médico de inmediato.

¡NO TRATE UNA LESIÓN POR INYECCIÓN COMO UNA SIMPLE CORTADURA! La inyección puede ser causa de una amputación. Ver a un médico de inmediato.

⚠ ADVERTENCIA

PELIGRO: PELIGRO DE QUEMADURA: Cuando se usa la Airless 75 con un calentador de fluido, las superficies del equipo se pueden calentar mucho.

SIEMPRE que pulverice materiales calientes, use el protector contra calor 54-7527. No exceda los 80°C en temperatura de líquido. No exceda la recomendación del fabricante del producto.

PRECAUCIONES DE SEGURIDAD:

MANTÉNGASE ALEJADO DE LA BOQUILLA. No sobrepase la presión de trabajo máxima de 7500 PSI (517 BAR, 51.7 Mpa).

PREVENCIÓN:

NUNCA apunte la pistola a una parte del cuerpo.

NUNCA permita que ninguna parte del cuerpo entre en contacto con la corriente de fluido. NO permita que el cuerpo entre en contacto con ninguna filtración en la manguera de fluido.

NUNCA ponga la mano frente a la pistola. Los guantes no protegen contra una lesión por inyección.

SIEMPRE ponga el seguro del disparador de la pistola, apague la bomba y libere toda la presión antes de reparar o darle mantenimiento a la pistola, limpiar la punta o la protección, cambiar la punta o dejar la pistola desatendida. La presión no se reducirá apagando el motor. La válvula de PURGA/PULVERIZADO debe estar en PURGA (PRIME) para liberar la presión. Consulte el *PROCEDIMIENTO DE LIBERACIÓN DE PRESIÓN* descrito en el manual de la bomba.

SIEMPRE mantenga la protección de la punta en su lugar al rociar. La protección de la punta protege un poco, pero es principalmente un dispositivo de advertencia.

SIEMPRE quite la punta de rociado antes de purgar o limpiar el sistema.

La manguera de pintura puede desarrollar filtraciones debido al desgaste, a retorcimientos o mala utilización. Una filtración puede inyectar material en la piel. Inspeccione la manguera antes de cada uso.

NUNCA use una pistola pulverizadora sin que el seguro del gatillo esté en su lugar y en buenas condiciones de funcionamiento.

Todos los accesorios deben tener una clasificación de 7500 PSI (517 BAR) o más alta. Estos accesorios incluyen puntas de rociado, pistolas, extensiones y la manguera.

NOTA AL MÉDICO:

La inyección en la piel es una lesión traumática. Es importante tratar la lesión lo antes posible. **NO RETRASE** el tratamiento para investigar la toxicidad. La toxicidad es un problema en algunos recubrimientos inyectados directamente en la corriente sanguínea. Podría ser recomendable consultar con un cirujano plástico o cirujano de reconstrucción de mano.

ADVERTENCIA

PELIGRO: EXPLOSIÓN O INCENDIO – Los disolventes y vapores de pintura pueden explotar o prenderse fuego. Puede ocurrir lesión grave y/o daño a la propiedad.

PREVENCIÓN:

Proporcione amplia extracción e introducción de aire fresco para mantener el aire dentro del área de rociado libre de acumulación de vapores inflamables.

Evite todas las fuentes de ignición tales como chispas por electricidad estática, artefactos eléctricos, llamas, luces piloto, objetos calientes y chispas que se producen al conectar y desconectar cables de alimentación eléctrica o interruptores de luz.

No fume en el área de rociado.

Debe estar presente un extintor de incendios y en buenas condiciones de funcionamiento.

Coloque la bomba al menos a 7.6 m (25 pies) de distancia del objeto a rociar en un área bien ventilada. Añada más manguera si fuese necesario. Los vapores inflamables son con frecuencia más pesados que el aire. El área del piso debe estar muy bien ventilada. La bomba podría contener formación de arcos que emiten chispas y pueden encender los vapores.

El equipo y los objetos en y alrededor del área de rociado deben estar debidamente puestos a tierra para evitar chispas estáticas.

Use sólo mangueras de fluido de alta presión conductiva o puestas a tierra. La pistola debe ponerse a tierra a través de las conexiones de la manguera.

Los cables eléctricos se deben conectar a un circuito puesto a tierra.

Siempre descargue la unidad en un recipiente metálico separado, a una presión de bomba baja, habiendo quitado la punta de rociado. Sostenga la pistola con firmeza contra el costado del recipiente para poner a tierra el recipiente y evitar las chispas estáticas.

Siga las advertencias e instrucciones del fabricante para el material y el disolvente.

Tenga sumo cuidado al usar materiales con punto de inflamabilidad inferior a los 21° C (70° F). El punto de inflamabilidad es la temperatura en la que un fluido puede producir suficientes vapores para prender fuego.

El plástico puede producir chispas estáticas. Nunca cuelgue plástico para circundar un área de rociado. No use paños para herramientas plásticas al rociar materiales inflamables.

Use la presión más baja posible para purgar el equipo.

ADVERTENCIA

PELIGRO: PELIGRO DE EXPLOSIÓN DEBIDO A MATERIALES INCOMPATIBLES – ocasionará lesión grave o daño a la propiedad.

PREVENCIÓN:

No use materiales que contengan hipocloruro cálcico o cloro.

No use disolventes con hidrocarburo halogenado como hipocloruro cálcico, fungicida, cloruro de metileno y 1,1,1-tricloroetano. No son compatibles con el aluminio.

Póngase en contacto con su proveedor de recubrimientos para averiguar la compatibilidad de los materiales con el aluminio.

ADVERTENCIA

PELIGRO: VAPORES TÓXICOS – Pinturas, disolventes, insecticidas y otros materiales pueden ser peligrosos si se inhalan o entran en contacto con el cuerpo. Los vapores pueden causar náuseas fuertes, desmayos o intoxicación.

PREVENCIÓN:

Use un respirador o máscara si existiese la posibilidad de inhalar vapores. Lea todas las instrucciones provistas con la máscara para asegurarse de que proporcionará la protección necesaria.

Use gafas protectoras. Use ropa protectora como lo requiera el fabricante de recubrimientos.

ADVERTENCIA

PELIGRO: GENERAL – Puede ocasionar lesión grave o daño a la propiedad.

PREVENCIÓN:

Lea todas las instrucciones y precauciones de seguridad antes de operar el equipo.

Desconecte siempre el motor del suministro de energía antes de trabajar con el equipo.

Siga todos los códigos locales, estatales y nacionales adecuados que rijan la ventilación, la prevención de incendios y la operación.

Las normas de seguridad del gobierno de EE.UU. fueron adoptadas bajo la Ley de Seguridad y Salud Ocupacionales (OSHA, por sus siglas en inglés). Se deben consultar estas normas, especialmente la parte 1926 de las Normas de Construcción.

Use sólo las piezas autorizadas por el fabricante. El usuario asume todos los riesgos y responsabilidades cuando usa piezas que no cumplen con las especificaciones mínimas y los dispositivos de seguridad del fabricante de la bomba

Antes de cada uso, revise todas las mangueras para verificar que no haya roturas, filtraciones, desgaste por raspadura o pandeo en la cubierta. Revise si hay daños o desplazamiento de los acoplamientos.

Reemplace de inmediato la manguera ante cualquiera de estas condiciones. Nunca repare una manguera de pintura. Reemplácela con otra manguera de alta presión puesta a tierra.

Todas las mangueras, placas giratorias, pistolas y accesorios deben tener una clasificación de presión de o por encima del rango de presión operativa máxima del rociador.

No aplique con la pistola al aire libre en días de mucho viento.

Use ropa protectora para mantener la pintura fuera de la piel y el cabello.

ADVERTENCIA

Lo que sigue son ADVERTENCIAS generales relacionadas con el montaje, el uso, la puesta a tierra, el mantenimiento y la reparación de este equipo.

PELIGRO DE INCENDIO Y EXPLOSIÓN – Gases inflamables, como disolventes y vapores de pintura, en el área de trabajo pueden prender fuego o explotar. Para ayudar a prevenir un incendio y una explosión:

Use el equipo únicamente en áreas bien ventiladas. Proporcione ventilación de aire fresco para evitar la acumulación de gases inflamables del material que está siendo rociado o del disolvente.

Elimine todas las fuentes de ignición; tales como luces piloto, cigarrillos, lámparas eléctricas portátiles y paños para herramientas plásticos (posible arco estático).

Mantenga el área de trabajo libre de desechos; incluyendo disolvente, trapos y gasolina.

Los rociadores generan chispas. Cuando se usa líquido inflamable en o cerca de la pistola pulverizadora o para descargarla o limpiarla, mantenga la pistola pulverizadora al menos a 7.6m (25 pies) de distancia de los vapores explosivos.

Desconecte de su fuente de energía eléctrica todos los equipos en el área de rociado. No enchufe ni desenchufe cables eléctricos ni encienda ni apague las luces en presencia de gases inflamables.

Conecte a tierra los equipos y objetos conductivos en el área de trabajo. Conecte a tierra los objetos que estén siendo rociados.

Si hubiese chispa estática o sintiese una descarga, **deje de operar el equipo de inmediato**. No use el equipo hasta que identifique y corrija el problema.

Mantenga un extintor de incendios en el área de trabajo.

PELIGRO DE INYECCIÓN EN LA PIEL

Los fluidos de alta presión de la pistola pulverizadora, las filtraciones de la manguera o los componentes rotos perforarán la piel. Esto podría parecer como una simple cortadura, pero es una lesión grave que podría hacer necesaria una amputación. **Busque de inmediato tratamiento quirúrgico. Informe a su médico acerca del tipo de material que fue inyectado.**

No apunte la pistola hacia ninguna persona ni hacia ninguna parte del cuerpo.

No ponga la mano ni los dedos sobre la punta de rociado.

No detenga ni desvíe las filtraciones con la mano, el cuerpo, un guante o un trapo.

No rocíe sin que esté instalado el resguardo de la punta.

Deje puesto el seguro del disparador cuando no esté rociando.

Siga el procedimiento de liberación de presión para su rociador cuando deje de rociar y antes de limpiar, revisar o reparar o dar mantenimiento a su equipo.

Apriete todas las conexiones de fluidos antes de operar el equipo.

Revise todas las mangueras, tubos y acoplamientos diariamente.

Reemplace de inmediato todas las piezas gastadas, dañadas o flojas.

PELIGRO DE USO INDEBIDO DEL EQUIPO

Este equipo es sólo para uso profesional.

Lea y comprenda todos los manuales de instrucción, marbetes y etiquetas antes de operar el equipo.

Use el equipo únicamente para el propósito para el que fue fabricado. Si no está seguro del propósito del equipo, llame al distribuidor de **BINKS** de su localidad.

El uso indebido puede ocasionar la muerte o lesión grave.

No sobrepase la presión de trabajo máxima o la clasificación de temperatura del componente del sistema con la clasificación más baja. Vea la información técnica en todos los manuales del equipo.

Use fluidos y disolventes que sean compatibles con las piezas húmedas de su equipo. Vea la información técnica en todos los manuales del equipo. Lea las advertencias del fabricante para el fluido y el disolvente. Para información completa acerca de su material, pida una hoja de datos de seguridad de los materiales (MSDS) de su distribuidor o comercio minorista.

Revise su equipo diariamente. No altere ni modifique su equipo. Repare o reemplace las piezas gastadas o dañadas de inmediato con piezas de reemplazo genuinas de **BINKS** únicamente.

No altere ni modifique este equipo.

Use el equipo únicamente para el propósito para el que fue fabricado. Para más información, llame a Binks.

Colocar las mangueras y los cables alejados de las áreas de tráfico, los bordes filosos, las partes móviles y las superficies calientes.

No retuerza ni doble excesivamente las mangueras ni use las mangueras para tirar de los equipos.

Use mangueras genuinas de **BINKS**. Si viniesen con la unidad, no quite los protectores de resorte de las mangueras ya que están en las mangueras para evitar desgarramientos debidos a retorcimiento en los conectores.

Mantenga a niños y animales fuera del área de trabajo. Cumpla con todos los reglamentos de seguridad aplicables.

No opere el equipo si está cansado o bajo la influencia de drogas o bebidas alcohólicas.

PELIGRO DE FLUIDO TÓXICO

Conozca los peligros específicos del fluido que esté usando. La información se encuentra en la hoja MSDS del material que está usando. Lea todas las advertencias del fabricante del fluido.

Guarde los fluidos peligrosos sólo en recipientes aprobados. Deseche todos los fluidos peligrosos de acuerdo con todas las directrices estatales, locales y nacionales.

Use la ropa protectora adecuada, los guantes, las gafas protectoras y

el respirador adecuados.

REQUISITOS DE CONEXIÓN A TIERRA Y ELÉCTRICOS

El rociador y la pistola deben conectarse a tierra. La conexión a tierra reduce el riesgo de descargas estáticas y eléctricas proporcionando un cable de escape para la corriente eléctrica debida a la acumulación de estática o en caso de cortocircuito. Siga las instrucciones de conexión a tierra incluidas en el manual del equipo provisto con todo su equipo de rociado. Se proporcionan instrucciones adicionales de conexión a tierra para su pistola pulverizadora sin aire Airless 75 de **BINKS**:

Conecte a tierra su pistola pulverizadora sin aire Airless 75 de **BINKS** acoplándola a una manguera de fluido y bomba puestas a tierra.

INSTALACIÓN DE MONTAJE

⚠ ADVERTENCIA

Nunca intente ensamblar, cambiar o limpiar la pistola o el protector de la punta sin primero liberar la presión del sistema de rociado. Siga el "PROCEDIMIENTO DE LIBERACIÓN DE PRESIÓN" en el manual del equipo de la pistola pulverizadora.

⚠ ADVERTENCIA

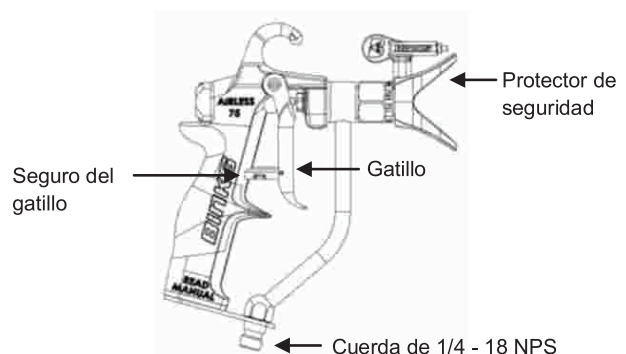
Use siempre el protector de seguridad de la punta para mayor protección contra inyección. Tenga en cuenta que el protector por sí mismo no evitará la inyección. ¡NUNCA desprenda el protector de la punta! Deje puesto siempre el seguro del gatillo de la pistola cuando no la esté usando. Antes de reparar o dar mantenimiento al equipo, consulte todos los manuales del equipo y siga las advertencias.

⚠ ADVERTENCIA

No permita que el fluido exceda la máxima temperatura recomendada por el fabricante. La pistola deberá de incluir el protector contra calor (54-7527) para usarlo con materiales calentados.

Nota: Los protectores de seguridad de la pistola pulverizadora Airless de **BINKS** para 7500 PSI (517 BAR) son de color gris.

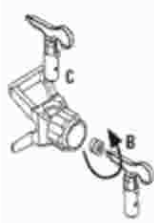
PISTOLA PULVERIZADORA AIRLESS PROFESIONAL DE BINKS



Si usted está usando una punta genuina de **BINKS**, siga las siguientes instrucciones para instalar el protector y la punta. Si está usando una punta diferente, siga las instrucciones provistas con la punta que esté usando.

INSTALACIÓN DE LA PUNTA Y EL PROTECTOR

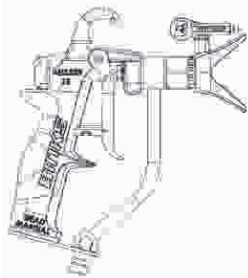
1. Asegúrese de que la punta y el protector de la punta estén clasificados para uso a 7500 PSI. (Las piezas genuinas de **BINKS** serán de color gris.)
2. Use una herramienta de alineamiento de sellos en la manija de la punta de **BINKS** para insertar el sello y la empaquetadura de presión en la parte trasera del protector, gire para alinearlos con la abertura para la aguja en la punta.
3. Inserte la punta en la abertura del protector de **BINKS**. **NOTA:** El extremo delgado de manija de punta debe estar en posición hacia adelante para rociar.
4. Enrosque el protector en la nariz de la pistola hasta que se detenga. Apriete suavemente con una llave - **NO APRIETE DEMASIADO.**



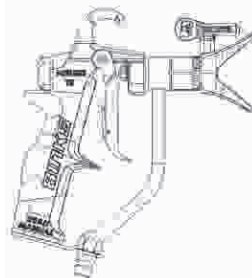
CONEXIÓN A LA MANGUERA

Acople una manguera de fluido debidamente puesta a tierra al accesorio de conexión de la manguera de fluido (rosca de 14-18 NPS) en la parte inferior del mango de su pistola pulverizadora. Use dos (2) llaves inglesas -una en la pistola y otra en la manguera. Apriete bien.

Posiciones para el seguro del gatillo:



CON SEGURO



SIN SEGURO

OPERACIÓN

1. Asegúrese de que la punta esté en posición de rociado.
2. Rocíe siguiendo las instrucciones provistas en el manual del propietario del equipo.
3. Tire del gatillo para activar el flujo a través de la pistola.
4. Ajuste la presión de fluido en el rociador hasta lograr la debida atomización. Rocíe siempre con la presión más baja necesaria para lograr la atomización deseada.

OBSTRUCCIÓN DE LA PUNTA

Si usted está usando una punta de rociado genuina de **BINKS**, siga las instrucciones a continuación para despejar una punta obstruida. Si está usando una punta diferente, siga las instrucciones incluidas en el manual del equipo provisto con la punta.

1. Ponga el seguro del gatillo. Haga girar la manija de la punta 180° hacia la posición inversa.
2. Quite el seguro del gatillo. Apunte la pistola hacia un cubo sosteniendo el extremo delantero de la pistola en dirección opuesta a la suya. Dispare la pistola momentáneamente para expeler el material causante de la obstrucción.
3. Ponga el seguro del gatillo. Haga girar la manija de la punta 180° hacia la posición de rociado.
4. Quite el seguro del gatillo. Haga una prueba de rociado para asegurarse de que se ha eliminado totalmente la obstrucción.

NOTA: Si la obstrucción no se ha eliminado totalmente después de seguir los pasos anteriores, repita los pasos del 1 al 4 hasta lograrlo por completo.

LIMPIEZA Y MANTENIMIENTO

LIMPIAR DIARIAMENTE

Es importante mantener limpia su pistola para asegurar una operación sin problemas y prolongar su vida útil. Siempre purgue bien la pistola después de usarla y guárdela en un lugar tibio y seco. **NO** deje la pistola ni ninguna de sus partes en agua o disolventes.

Siempre purgue la pistola afuera si fuese posible y al menos a una distancia de 7.5 m (25 pies) del rociador.

El área debe estar libre de vapores inflamables.

Siempre purgue la pistola a una presión mínima. Quite siempre la punta y el protector.

La acumulación de electricidad estática puede producir incendio o explosión en presencia de vapores inflamables.

Al purgar, sostenga siempre la pistola con firmeza contra un recipiente metálico puesto a tierra.

SOLUCIÓN DE PROBLEMAS

La distancia de la pistola pulverizadora de la superficie de trabajo debe ser en un punto donde el patrón de ventilación máximo sea evidente.

"Relojes de arena" y "colas" en los patrones de rociado normalmente indican una presión de fluido muy baja para el tamaño del orificio de la punta de la boquilla o que el material es muy viscoso o espeso. Aumente la presión o reduzca el espesor del material.

Los patrones distorsionados pueden deberse a puntas gastadas u obstruidas. Limpie (vea obstrucción de la punta) o reemplace la punta de rociado.

Las pistolas pulverizadoras Airless están siempre encendidas o apagadas. Usted no puede hacer pasadas de hilo fino con pistolas Airless como se puede hacer con los equipos de aire atomizado.

Las pasadas sucesivas podrían requerir de superposición parcial. La superposición típica es del 30%.

PARA REEMPLAZAR EL ENSAMBLE DE AGUJA (11)

1. Cierre el suministro de energía a la bomba y libere presión de la pistola. Retire la pistola de la manguera.
2. Retire los tornillos, y tapa trasera (15).
3. Quitar gatillo y perno de gatillo (10).
4. Desenroscar la tuerca.
5. Jale el ensamble del cartucho fuera de la parte posterior de la pistola.
6. Vuelva a insertar el ensamble del cartucho (del paso 4) en su posición a través del ensamble del cuerpo de la pistola. Apriete la tuerca.
7. Vuelva a ensamblar los elementos.

PARA REEMPLAZAR EL EMPAQUE

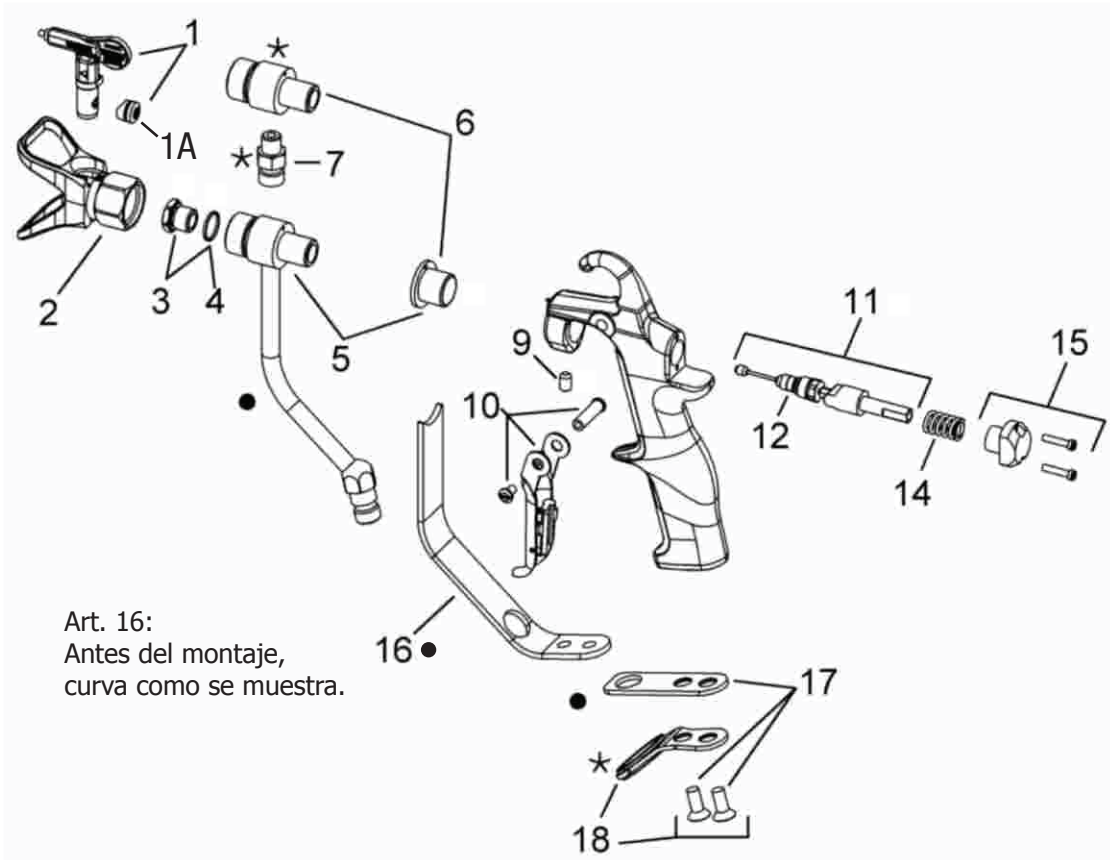
1. Quite el ensamble de aguja siguiendo los pasos 1-5 de "Para reemplazar el ensamble de aguja".
2. Localice la ranura del empaque hueco (12), separarla y presione para retirar.
3. Reemplace con un nuevo empaque hueco, y vuelva a ensamblar.

PARA AJUSTAR EL EMPAQUE

1. Cierre el suministro de energía a la bomba y libere presión de la pistola. Retire la pistola de la manguera.
2. Use una llave abierta de 7/16" para girar la tuerca hacia la derecha para eliminar cualquier fuga en la tuerca.
3. Si se nota una operación del disparador lenta, gire la tuerca a la izquierda en incrementos de 1/16 de vuelta hasta que se elimine la resistencia.
4. Si la fuga no se puede detener sin tener resistencia excesiva en el disparador, vuelva a colocar el empaque.

LA PULVERIZACIÓN DE MATERIALES CALIENTES REQUIERE LA INSTALACIÓN DEL PROTECTOR DE CALOR 54-7527. PARA INSTALAR EL PROTECTOR DE CALOR (16):

1. Cierre el suministro de energía a la bomba y libere presión de la pistola. Retire la pistola de la manguera.
2. Retire los tornillos y el soporte (17) de la parte inferior de la pistola. Instale el protector de calor (16) y vuelva a colocar el soporte y los tornillos.



No. Art.	No. Pieza	Descripción	Cant.
1		Punta giratoria de 7500 psi, ver tabla	1
1A	54-7539-K2	Paquete de llave de punta giratoria	1
2	1108-75B	Protector de seguridad de punta giratoria de 7500 psi	1
3A	54-7511-K	Paquete de tuercas del difusor 0811-7500-1, 0811-7500-2	1
3B	54-7537-K	Paquete de tuercas del difusor 0811-7500-3	1
4	54-2096-K	Roldana (paquete de 5)	1
5	54-7518-K	Paquete de ensamble de materiales del cuerpo	1
6	54-7523-K	Paquete de materiales del cabezal	1
7	72-792	Adaptador de entrada	1
9	20-5865-K3	Tornillo de ajuste (Paquete de 3)	1
10	54-7534-K	Paquete del gatillo	1
11	54-7512	Ensamble de cartucho	1
12	54-2949	Empaque de cartucho	1
14	54-7508	Paquete de seguro de gatillo y guía	2
15	54-7530-K	Perno de seguridad y paquete de rodamientos	1
16	54-7527	Protector contra calor (accesorio)	
17	54-7510-K	Paquete de soportes	1
18	54-7519-K	Soporte de manguera	1

- 0811-7500-1 solamente.
- * 0811-7500-2, 0811-7500-3

TABLA DE SELECCIÓN PUNTA DE ROCIADO DE BINKS

PIEZA N° 9-XXX-75 (puntas clasificadas para uso a 7500 psi)
Todas las siguientes puntas tendrán una manija gris

	Patrón de rociado de 4"	Patrón de rociado de 6"	Patrón de rociado de 8"	Patrón de rociado de 10"	Patrón de rociado de 12"	Patrón de rociado de 14"
Orificio de .007"		307				
Orificio de .009"		309	409	509		
Orificio de .011"	211	311	411	511	611	
Orificio de .013"	213	313	413	513	613	713
Orificio de .015"	215	315	415	515	615	715
Orificio de .017"	217	317	417	517	617	717
Orificio de .019"		319	419	519	619	
Orificio de .021"			421	521	621	
Orificio de .023"				523	623	
Orificio de .025"				525	625	
Orificio de .027"					627	
Orificio de .031"					631	
Orificio de .035"			435		635	

ACCESORIOS DE ROCIADO DE BINKS

PEDIR EL N°	DESCRIPCIÓN
72-2332	Adaptador rotativo 1/4" M x 1/4" F
72-2333	Adaptador rotativo 1/4" M x 1/4" F
72-2340	Adaptador rotativo con filtro de entrada (malla 60)
72-2341	Adaptador rotativo con filtro de entrada (malla 100)
54-1836	Filtro malla 60
54-1835	Filtro malla 100
52-5208	Extensión de la punta airless de 36"
52-5209	Extensión de la punta airless de 60"
72-2339	Bloque Y de alta presión Airless

MANGUERA DE FLUIDO SIN AIRE DE BINKS

PEDIR EL N°	DESCRIPCIÓN
71-4870	Fusta de manguera 1/4" F x 3/8" M1 m, presión de trabajo 10,000 psi
71-4840	Manguera 1/4" x 7.6 m presión de trabajo 10,000 psi
71-4841	Manguera 1/4" x 15.2 m presión de trabajo 10,000 psi
71-4860	Manguera 3/8" x 7.6 m presión de trabajo 8,000 psi
71-4861	Manguera 3/8" x 7.6 m presión de trabajo 8,000 psi

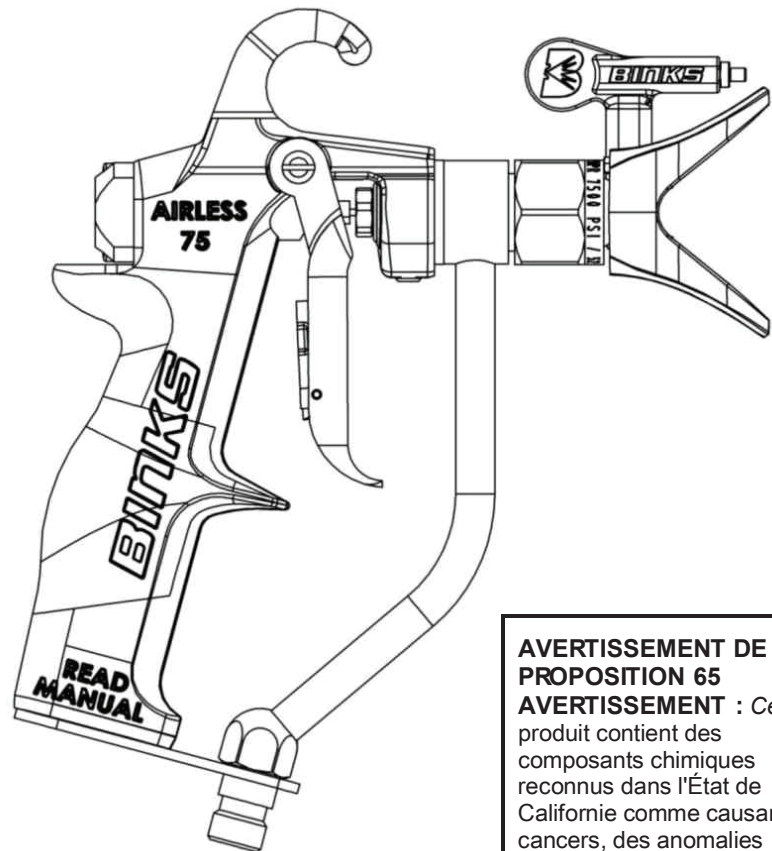
Airless 75

PISTOLETS AIRLESS 7500 PSI

0811-7500-1, 0811-7500-2, 0811-7500-3

CE  II 2 G X

Les instructions suivantes contiennent les informations nécessaires au bon fonctionnement et à l'entretien préventif du pistolet Binks Airless 75. Il est nécessaire de lire et comprendre toutes les informations fournies dans ce document pour obtenir des performances maximales de votre nouveau pistolet Airless 75.



AVERTISSEMENT DE LA PROPOSITION 65
AVERTISSEMENT : Ce produit contient des composants chimiques reconnus dans l'État de Californie comme causant des cancers, des anomalies congénitales ou d'autres effets néfastes sur la reproduction.

SPÉCIFICATIONS :

Pression maximale du produit :	517 bar/7 500 psi
Température maximale du produit (pare-chaleur en place)	175°F
Corps du pistolet :	Aluminium forgé
Conduit de produit :	Acier inoxydable
Taille d'entrée de produit :	1/4" - Filetage NPS (m)
Poids du pistolet :	660 g / 23.3 oz

IMPORTANT ! NE PAS DÉTRUIRE

Le client est responsable de s'assurer que tous les utilisateurs et le personnel d'entretien ont lu et compris ce manuel.

Contactez le représentant Binks le plus proche pour se procurer des exemplaires supplémentaires de ce manuel.

Description / objet de la Déclaration de produit:	Airless 75 Guns
Ce produit a été conçu pour être utilisé avec :	Matériaux à base de solvant et d'eau
Approprié pour une utilisation dans des zones dangereuses :	Zones 1
Niveau de protection :	II 2 G X
Notifiée de carrosserie et le rôle :	Element Materials Technology. WN8 9PN UK Introduction des Fiche technique
Cette déclaration de conformité / incorporation est établie sous la seule responsabilité du fabricant :	Carlisle Fluid Technologies, 320 Phillips Ave., Toledo, OH 43612

Déclaration de conformité EU



L'objet de la déclaration décrit ci-dessus est en conformité avec la législation d'harmonisation de l' Union :

Directive machines 2006/42/EC

Directive ATEX 2014/34/EU

en nous conformant aux documents statutaires et aux normes harmonisées suivants :

Norme EN ISO 12100 : Sécurité des machines - Principes généraux de conception

Norme EN 13463-1 : Appareils non électriques destinés à être utilisés en atmosphères explosibles - Méthodes et prescriptions de base

EN 1953:2013 Atomisation et de l'équipement de pulvérisation pour matériaux de revêtement. Les exigences de sécurité.

L'objet de la déclaration décrit ci-dessus est en conformité avec la législation d'harmonisation de l'Union applicable : la directive 94 / 9 / CE (jusqu'au 19 Avril , 2016) et de la directive 2014/34 / UE (à partir du 20 Avril , 2016)

Offrir à tous les conditions d'utilisation sécuritaire / l'installation a déclaré dans les manuels des produits ont été respectées et également installé en conformité avec les codes locaux en vigueur de la pratique .

Signed for and on behalf of
Carlisle Fluid Technologies:

DJ Hasselschwert
14-Apr-16

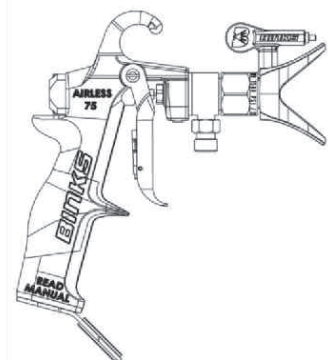
(Vice President: Global
Product Development)
Toledo, OH 43612

4-3193R-1

Airless 75

Pistolet Airless 7 500 psi

Usage réservé aux professionnels
qualifiés uniquement !



0811-7500-2
0811-7500-3

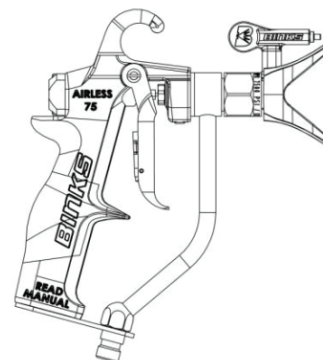
Pression de service maximale :
7 500 psi – 517 bar – 51,7 MPa
Modèles 0811-7500-1, 0811-7500-2, 0811-7500-3

SÉCURITÉ, UTILISATION ET ENTRETIEN INSTRUCTIONS À L'INTÉRIEUR !!

Lire tous les avertissements et
instructions d'utilisation à l'intérieur

CONSERVER CE MANUEL POUR
RÉFÉRENCE ULTÉRIEURE

Contactez le représentant Binks le
plus proche pour se procurer des
exemplaires supplémentaires de ce
manuel.



0811-7500-1

Les instructions suivantes contiennent les informations nécessaires au bon fonctionnement et à l'entretien préventif du pistolet Airless 75 BINKS de 7 500 psi. Le client est responsable de s'assurer que tous les utilisateurs et le personnel d'entretien ont lu et compris ce manuel. Il est nécessaire de lire et comprendre toutes les informations fournies dans ce document pour utiliser votre nouveau pistolet en toute sécurité.

WARNING

RISQUE POUR LES YEUX : Tout manquement au port de lunettes de sécurité avec écrans latéraux peut entraîner des blessures graves aux yeux ou la cécité. Les utilisateurs et toutes autres personnes à proximité doivent toujours porter des lunettes de sécurité avec écrans latéraux conformes à la norme ANSI Z87.1 ou à la norme européenne 156.

WARNING

DANGER : BLESSURE PAR INJECTION – cet appareil produit un jet haute pression capable de transpercer la peau et les tissus sous-jacents, causant des blessures graves pouvant entraîner l'amputation. Consulter immédiatement un médecin.

NE PAS TRAITER LES BLESSURES PAR INJECTION COMME UNE SIMPLE COUPURE ! L'injection peut entraîner une amputation. Consulter immédiatement un médecin.

WARNING

DANGER : RISQUE DE BRÛLURE : Lors de l'utilisation du pistolet Airless 75 avec un réchauffeur de produit, les surfaces du matériel peuvent devenir très chaudes. **TOUJOURS** utiliser le pare-chaleur réf. 54-7527 pour l'atomisation des matériaux chauffés. La température du produit ne doit pas dépasser 79,5°C (175°F). Ne pas dépasser la température recommandée par le fabricant du

produit.

CONSIGNES DE SÉCURITÉ :

RESTER À L'ÉCART DE LA BUSE : Ne pas dépasser la pression de service maximale de 517 bar (7 500 psi, 51,7 MPa).

PRÉVENTION :

NE JAMAIS diriger le pistolet vers une quelconque partie du corps.

NE JAMAIS placer une quelconque partie du corps au contact du jet sous pression. **NE PAS** mettre le corps au contact d'une fuite du flexible de produit.

NE JAMAIS mettre la main devant le pistolet. Le port de gants n'offre aucune protection contre les blessures par injection.

TOUJOURS verrouiller la gâchette du pistolet, couper la pompe et évacuer toute la pression avant tout entretien, nettoyage de la buse ou du protège-buse, remplacement de la buse ou avant de laisser le pistolet sans surveillance. L'arrêt du moteur n'évacue pas la pression. La soupape d'AMORÇAGE/PULVÉRISATION doit être tournée en position d'AMORÇAGE pour évacuer la pression. Se reporter à la **PROCÉDURE DE DÉPRESSURISATION** décrite dans le manuel de la pompe.

TOUJOURS maintenir le protège-buse en place pendant l'atomisation. Le protège-buse offre une certaine protection, mais constitue principalement un dispositif d'alerte.

TOUJOURS retirer la buse avant de rincer ou de nettoyer le système.

Le flexible de peinture peut présenter des fuites s'il est usé, plié ou malmené. Une fuite peut provoquer l'injection de produit sous la peau. Examiner le flexible avant chaque utilisation.

NE JAMAIS utiliser le pistolet si le verrou et la protection de la gâchette ne sont pas en place et en bon état de marche.

Tous les accessoires doivent avoir une pression nominale de 517 bar (7 500 psi) minimum. Cela comprend les buses d'atomisation, les pistolets, les extensions et le flexible.

NOTE À L'ATTENTION DU MÉDECIN

L'injection de produit sous la peau est une lésion traumatique. Il est important de la traiter le plus rapidement possible. **NE PAS RETARDER** le traitement pour rechercher la toxicité. La toxicité est un problème associé à certains revêtements injectés directement dans le sang. Il peut être judicieux de consulter un spécialiste de la chirurgie esthétique ou reconstructive de la main.

WARNING

RISQUE D'EXPLOSION OU D'INCENDIE – Les vapeurs de solvants ou de peintures peuvent produire une déflagration ou s'enflammer, et entraîner des dommages corporels et/ou matériels.

PRÉVENTION :

Prévoir une aération et un apport d'air frais importants pour éviter que des vapeurs inflammables ne s'accumulent à l'intérieur de la zone d'atomisation.

Éviter les sources d'inflammation comme les étincelles d'électricité, les appareils électriques, les flammes, les veilleuses, les objets très chauds et les étincelles produites lors du branchement et du débranchement des câbles d'alimentation ou des interrupteurs.

Ne pas fumer dans la zone d'atomisation.

Un extincteur doit toujours être présent et en bon état de marche. Placer la pompe à 7,6 m au moins de l'objet traité et dans un lieu bien aéré. Utiliser une rallonge de flexible au besoin. Les vapeurs inflammables sont souvent plus lourdes que l'air. La zone au niveau du plancher doit être extrêmement bien aérée. La pompe contient des pièces pouvant produire des arcs électriques qui émettent des étincelles et peuvent enflammer les vapeurs.

Le matériel et les objets à l'intérieur et autour de la zone d'atomisation doivent être mis à la terre correctement pour éviter les étincelles d'électricité statique.

Utiliser uniquement un flexible de produit sous haute pression conducteur ou mis à la terre. Le pistolet doit être mis à la terre par les raccords de flexible.

Les câbles électriques doivent être connectés à un circuit relié à la terre.

Toujours rincer le pistolet dans un récipient en métal séparé, à basse pression de la pompe, avec la buse déposée. Maintenir le pistolet fermement contre le côté du récipient pour mettre ce dernier à la terre et empêcher la formation d'étincelles d'électricité statique.

Suivre les mises en garde et instructions du fabricant des produits et solvants.

Une extrême prudence est nécessaire lors de l'utilisation de matériaux ayant un point d'éclair inférieur à 21°C. Le point d'éclair est la température à laquelle un liquide peut produire une quantité de vapeur suffisante pour permettre son inflammation.

Le plastique peut causer des étincelles d'électricité statique. Ne jamais laisser pendre de plastique près de la zone d'atomisation.

Ne pas utiliser de bâches en plastique lors de l'atomisation de matériaux inflammables.

Utiliser la pression la plus basse possible pour rincer le pistolet.

WARNING

DANGER : RISQUE D'EXPLOSION DÙ À DES MATÉRIAUX INCOMPATIBLES – Cause des dommages corporels ou matériels graves.

PRÉVENTION :

Ne pas utiliser de matériaux contenant un agent de blanchiment ou du chlore.

Ne pas utiliser de solvants hydrocarbures halogénés tels que des agents de blanchiment, d'agent antimoisissure, de méthylène, de chlorure et de 1,1,1 – trichloroéthane. Ils ne sont pas compatibles avec l'aluminium.

Se renseigner auprès du fournisseur de revêtement concernant la compatibilité du matériau avec l'aluminium.

WARNING

DANGER : VAPEURS DANGEREUSES – Les peintures, solvants, insecticides et autres produits peuvent être nocifs en cas d'inhalation ou de contact avec le corps. Les vapeurs peuvent causer de graves nausées, la perte de connaissance ou l'empoisonnement.

PRÉVENTION :

Utiliser un masque ou un appareil respiratoire s'il existe un risque d'inhalation de vapeurs. Lire toutes les instructions fournies avec le masque pour confirmer qu'il offre la protection nécessaire.

Porter une protection oculaire.

Porter des vêtements de protection comme exigé par le fabricant du revêtement.

WARNING

DANGER : GENERALITES – Peut causer de graves dommages corporels ou matériels.

PRÉVENTION :

Lire toutes les instructions et consignes de sécurité avant d'utiliser le matériel.

Toujours débrancher le moteur de l'alimentation électrique avant de travailler sur le matériel.

Suivre tous les codes nationaux, régionaux et locaux appropriés régissant la ventilation, la prévention des incendies et l'utilisation. Les normes de sécurité du gouvernement américain ont été adoptées dans le cadre de l'Occupational Safety and Health Act (OSHA). Ces normes, en particulier la partie 1926 des normes de construction, doivent être consultées.

Utiliser uniquement les pièces autorisées par le fabricant. L'utilisateur assume tous les risques et toutes les responsabilités en cas d'utilisation de pièces qui ne satisfont pas aux spécifications minimales requises et aux dispositifs de sécurité du fabricant de la pompe.

Avant chaque utilisation, contrôler tous les flexibles pour détecter d'éventuelles coupures, fuites, abrasion ou gonflement de la gaine. Vérifier si les raccords sont endommagés ou mal serrés. Remplacer immédiatement le flexible si l'un de ces problèmes est rencontré. Ne jamais réparer un flexible de peinture. Le remplacer par un flexible haute pression relié à la terre.

Tous les flexibles, raccords rotatifs, pistolets et accessoires doivent avoir une pression nominale égale ou supérieure à la plage de pression de service maximale du pistolet airless.

Ne pas effectuer l'atomisation à l'extérieur par grand vent.

Porter un vêtement de protection pour éviter de projeter de la peinture sur la peau ou les cheveux.

WARNING

Les **AVERTISSEMENTS** suivants sont d'ordre général et concernent la préparation, l'utilisation, la mise à la terre, l'entretien et la réparation de ce matériel.

RISQUE D'INCENDIE ET D'EXPLOSION – Les vapeurs inflammables dégagées dans la zone de travail, par les solvants et les peintures par exemple, peuvent s'enflammer ou exploser. Pour éviter au mieux les risques d'incendie et d'explosion :

Utiliser le matériel uniquement dans un endroit bien aéré. Prévoir un apport d'air frais pour éviter l'accumulation de vapeurs inflammables dégagées par le produit atomisé ou le solvant.

Éliminer les sources d'inflammation, du type veilleuse, cigarettes, lampes électriques portables et bâches en plastique (possibilité d'arcs d'électricité statique).

La zone de travail doit rester exempte de débris, y compris solvants, chiffons et essence.

Les atomiseurs produisent des étincelles. Lorsqu'un liquide inflammable est utilisé dans ou près d'un atomiseur, ou encore pour le rinçage ou le nettoyage, maintenir l'atomiseur à 7,6 m au moins des vapeurs explosives.

Mettre hors tension tout le matériel présent dans la zone d'atomisation. Ne pas brancher ou débrancher les câbles d'alimentation ni allumer ou éteindre les éclairages lorsque des vapeurs inflammables sont présentes.

Mettre à la terre le matériel et les objets conducteurs présents dans la zone de travail. Mettre à la terre l'objet atomisé.

En cas d'étincelles d'électricité statique ou de décharge électrique, **s'arrêter immédiatement de travailler**. Ne pas utiliser le matériel tant que le problème n'est pas identifié et corrigé.

Garder un extincteur dans la zone de travail.

RISQUE D'INJECTION SOUS LA PEAU

Le produit sous haute pression sortant du pistolet, de fuites de flexible ou de composants cassés transpercera la peau. La blessure causée peut ressembler à une simple coupure, mais elle est grave et peut entraîner l'amputation. **Consulter immédiatement un chirurgien. L'informer du type de produit qui a été injecté.**

Ne pas diriger le pistolet vers des personnes ou une quelconque partie du corps.

Ne pas mettre les doigts ou la main sur la buse.

Ne pas utiliser la main, le corps, un gant ou un chiffon pour arrêter ou détourner les fuites de produit.

Ne pas atomiser sans avoir d'abord installé le protège-buse.

Engager le verrou de la gâchette lorsque le pistolet ne sert pas.

Suivre la procédure de décharge de pression après avoir arrêté l'atomisation et avant le nettoyage, le contrôle ou l'entretien du matériel.

Serrer tous les raccords de produit avant d'utiliser le matériel.

Contrôler tous les flexibles, tubes et raccords chaque jour. Remplacer immédiatement les pièces usées, endommagées ou desserrées.

UTILISATION ABUSIVE DU MATÉRIEL

Ce matériel est réservé aux professionnels.

Lire et comprendre tous les manuels d'utilisation et toutes les étiquettes avant d'utiliser le matériel.

Le matériel ne doit servir qu'à l'usage auquel il est destiné. En cas de doute concernant son usage, se renseigner auprès du distributeur BINKS le plus proche.

L'utilisation incorrecte du matériel peut entraîner des blessures graves ou mortelles.

Ne pas excéder la pression ou la température de service maximale nominale du composant du système qui a la pression ou la température nominale la plus basse. Voir les données techniques dans les différents manuels d'utilisation.

Utiliser des produits et solvants compatibles avec les pièces du matériel en contact avec le produit. Voir les données techniques dans les différents manuels d'utilisation. Lire les mises en garde du fabricant du produit et du solvant. Pour des renseignements complets sur le matériel, demander une fiche de données de sécurité (MSDS) au distributeur ou au revendeur.

Contrôler le matériel chaque jour. Ne pas modifier le matériel. Réparer ou remplacer immédiatement les pièces usées ou endommagées par des pièces **BINKS** d'origine uniquement.

Ne pas modifier ce matériel.

Le matériel ne doit servir qu'à l'usage auquel il est destiné. Téléphoner à Binks pour tout renseignement complémentaire.

Acheminer les flexibles et câbles à l'écart des zones de passage, des arêtes vives, des pièces mobiles et des surfaces chaudes.

Ne pas tordre ou plier excessivement les flexibles et ne pas utiliser les flexibles pour tirer le matériel.

Toujours utiliser des flexibles **BINKS** d'origine. S'ils sont présents, ne pas déposer les ressorts antitorsion des flexibles ; ils ont pour fonction d'empêcher la rupture par torsion des flexibles au niveau des raccords.

Garder enfants et chiens à bonne distance de la zone de travail.

Respecter toutes les règles de sécurité applicables.

Ne pas utiliser le matériel en état de fatigue ou sous l'emprise de l'alcool, de certains médicaments ou de la drogue.

DANGERS ASSOCIÉS AUX PRODUITS TOXIQUES

Se renseigner sur les dangers spécifiques associés au produit utilisé. Ces renseignements sont fournis sur la fiche MSDS du matériel utilisé. Lire toutes les mises en garde du fabricant du produit.

Ne stocker les produits dangereux que dans des récipients homologués. Mettre au rebut les produits dangereux conformément aux directives nationales, régionales et locales.

Porter les vêtements de protection, les gants, la protection oculaire et l'appareil respiratoire appropriés.

EXIGENCES ÉLECTRIQUES ET DE MISE À LA TERRE

L'atomiseur et le pistolet doivent être mis à la terre. La mise à la terre réduit le risque de décharge statique et électrique en fournissant un fil de fuite au courant électrique causé par l'accumulation d'électricité statique ou un court-circuit. Suivre les instructions de mise à la terre comprises dans le manuel fourni avec le matériel d'atomisation. Des instructions de mise à la terre supplémentaires sont fournies pour le pistolet Airless 75 **BINKS** :

Mettre à la terre le pistolet Airless 75 **BINKS** en le connectant à un flexible et une pompe correctement mis à terre.

INSTALLATION ET PRÉPARATION

WARNING

Ne jamais tenter d'assembler, de modifier ou de nettoyer le pistolet, la buse ou le protège-buse sans avoir auparavant évacué la pression du système d'atomisation. Suivre la "PROCÉDURE DE DÉCHARGE DE PRESSIION" indiquée dans le manuel du matériel.

⚠ WARNING

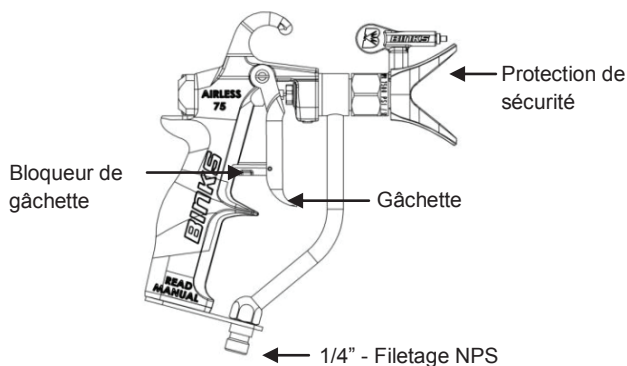
Toujours utiliser le protège-buse de sécurité pour renforcer la protection contre l'injection. Ne pas oublier que le protège-buse par lui-même n'empêche pas l'injection. **NE JAMAIS** couper le protège-buse ! Toujours engager le verrou de la gâchette lorsque le pistolet ne sert pas. Avant d'effectuer l'entretien du matériel, consulter tous les manuels correspondants et respecter les mises en garde.

⚠ WARNING

Ne pas permettre au produit de dépasser la température maximale recommandée par le fabricant. Le pistolet doit être équipé du pare-chaaleur (54-7527) lorsqu'il est utilisé avec des matériaux chauffés.

Remarque : Les protège-buses de sécurité pour pistolets Airless BINKS sont gris pour le pistolet 517 bar (7500 psi).

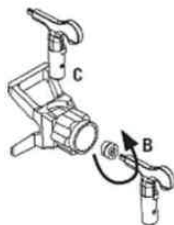
BINKS Airless 75 PISTOLETS AIRLESS PROFESSIONNEL



Si la buse BINKS d'origine est utilisée, suivre les instructions ci-dessous pour installer le protège-buse et la buse. Si une buse différente est utilisée, suivre les instructions d'installation fournies avec la buse en question.

INSTALLATION DE LA BUSE ET DU PROTÈGE -BUSE

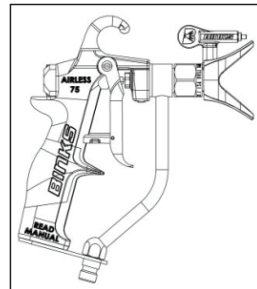
- Vérifier que la buse et le protège-buse sont prévus pour une pression nominale de 517 bar (7 500 psi). (Les pièces BINKS d'origine sont grises.)
- Utiliser l'outil d'alignement de joint sur la poignée de la buse BINKS pour insérer le joint d'étanchéité et le joint de pression à l'arrière du protège-buse, et le tourner pour l'aligner sur l'ouverture de l'axe de la buse.
- Insérer la buse dans l'ouverture du protège-buse BINKS. REMARQUE : Le côté étroit de la poignée de la buse doit être en position avant pour l'atomisation.
- Visser le protège-buse sur la tête du pistolet jusqu'à la butée. Serrer légèrement avec une clé – **NE PAS SERRER EXCESSIVEMENT**.



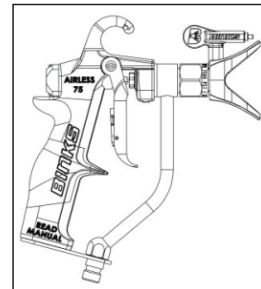
RACCORDEMENT AU FLEXIBLE

Raccorder un flexible de produit correctement mis à la terre au raccord (1/4" – Filetage NPS 18) au bas de la poignée du pistolet. Utiliser deux (2) clés, une sur le pistolet et l'autre sur le flexible. Serrer solidement.

Positions de verrouillage de la gâchette



VERROUILLÉE



DÉVERROUILLÉE

UTILISATION DU PISTOLET

- Vérifier que la buse est en position d'atomisation.
- Mettre l'atomiseur en marche en suivant les instructions fournies dans le manuel de l'utilisateur du matériel.
- Actionner la gâchette pour faire circuler le produit dans le pistolet.
- Régler la pression du produit sur l'atomiseur afin d'obtenir l'atomisation correcte. Toujours utiliser la pression la plus basse nécessaire pour obtenir l'atomisation requise.

COLMATAGE DE LA BUSE

Si une buse BINKS d'origine est utilisée, suivre les instructions ci-dessous pour la déboucher si elle est colmatée. Si une autre buse est utilisée, suivre les instructions du manuel fourni avec la buse en question.

- Engager le verrou de la gâchette. Tourner la poignée de la buse de 180° à la position arrière.
- Déverrouiller la gâchette. Diriger le pistolet dans un seau, en tenant le flexible loin du corps. Actionner la gâchette brièvement pour expulser l'obstruction.
- Engager le verrou de la gâchette. Tourner la poignée de la buse de 180° à la position d'atomisation.
- Déverrouiller la gâchette. Faire un essai d'atomisation pour vérifier que l'obstruction a été expulsée.

REMARQUE : Si la buse est encore colmatée après la procédure ci-dessus, répéter les étapes 1 à 4 jusqu'à ce que l'obstruction ait complètement disparu.

NETTOYAGE ET ENTRETIEN

NETTOYAGE QUOTIDIEN

L'entretien correct du pistolet est important pour garantir un fonctionnement fiable et prolonger la durée de vie du pistolet. Toujours rincer soigneusement le pistolet après chaque utilisation et le ranger dans un endroit chaud et sec. **NE PAS** laisser le pistolet ni aucun de ses composants dans l'eau ou les solvants.

Toujours rincer le pistolet à l'extérieur et à 7,5m de distance au moins de l'atomiseur.

La zone doit être exempte de vapeurs inflammables.

Toujours utiliser la pression minimale pour le rinçage. Toujours déposer la buse et le protège-buse.

L'accumulation d'électricité statique peut provoquer un incendie ou une explosion en présence de vapeurs inflammables.

Toujours maintenir le pistolet fermement en appui contre un récipient en métal mis à la terre pendant le rinçage.

GUIDE DE DÉPANNAGE

La distance entre le pistolet et la surface de travail doit se situer au point d'apparition d'un jet en éventail maximal. Cette distance est normalement de 20 à 35,5 cm.

Une pression de produit excessive déformera le jet. Utiliser la plus basse pression acceptable pour l'atomisation.

Une atomisation en sablier ou des traînées indiquent généralement une pression trop basse pour la taille de l'orifice de la buse ou un produit trop visqueux ou épais. Augmenter la pression ou diluer le produit.

Une atomisation déformée peut être causée par des buses usées ou colmatées. Nettoyer (voir "Colmatage de la buse") ou remplacer la buse.

Les pistolets Airless sont soit en marche soit arrêtés. L'effet de dégradé avec les pistolets airless n'est pas possible à réaliser comme avec le matériel d'atomisation pneumatique.

Les passes successives peuvent nécessiter un chevauchement. Le chevauchement type est de 30 %.

REPLACEMENT DE L'AIGUILLE (11)

1. Mettre la pompe hors tension et évacuer la pression du pistolet. Débrancher le pistolet du flexible.
2. Retirer les vis et déposer le chapeau arrière. (15)
3. Déposer la gâchette et son goujon. (10)
4. Dévisser l'écrou du presse-étoupe.
5. Extraire l'aiguille par l'arrière du pistolet.
6. Réinsérer l'aiguille (de l'étape 5) en position par l'arrière du corps du pistolet. Resserrer l'écrou du presse-étoupe.
7. Remonter les divers éléments.

REPLACEMENT DU PRESSE - ÉTOUPE

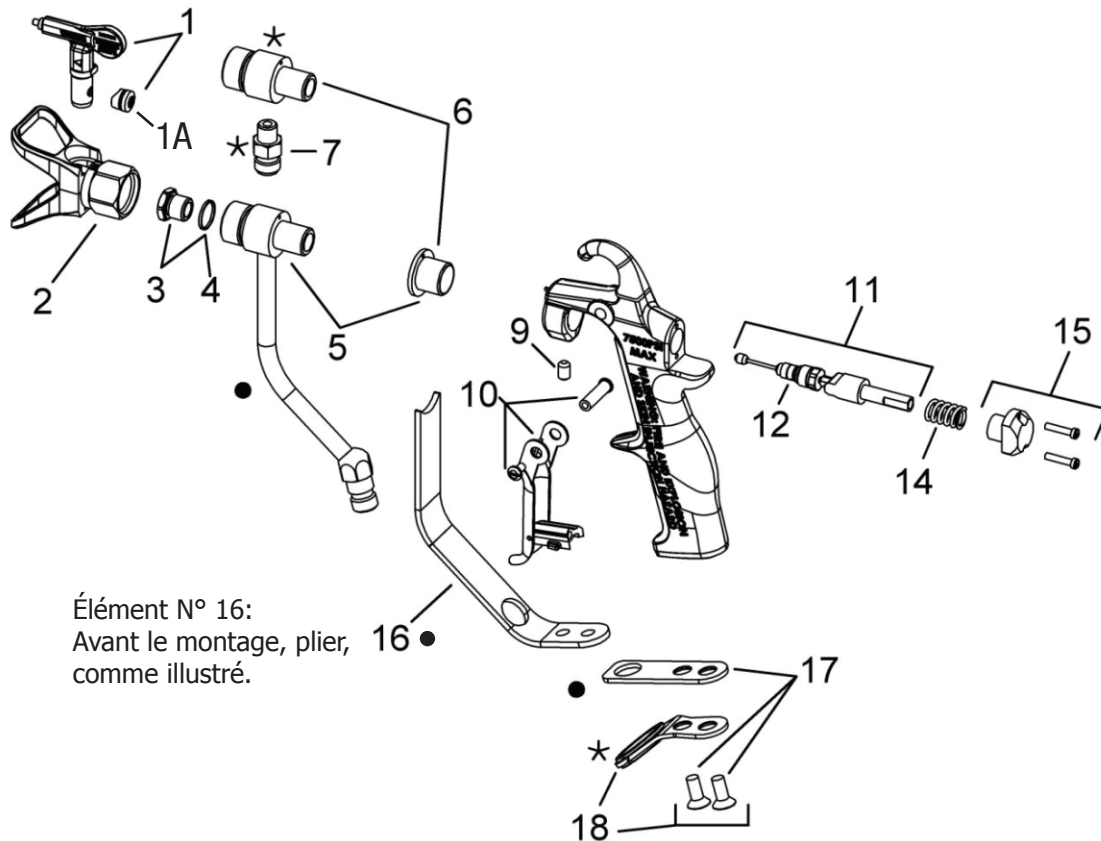
1. Retirer l'aiguille comme expliqué aux étapes 1 à 5 de la section "Remplacement de l'aiguille".
2. Localiser la fente dans le presse-étoupe (12), faire levier et l'extraire.
3. Le remplacer par un presse-étoupe neuf, puis remonter le tout.

AJUSTEMENT DU PRESSE-ÉTOUPE

1. Mettre la pompe hors tension et évacuer la pression du pistolet. Débrancher le pistolet du flexible.
2. Utiliser une clé à fourche 7/16" pour tourner l'écrou du presse-étoupe dans le sens des aiguilles d'une montre afin d'éliminer toute fuite à son niveau.
3. Si la gâchette manque de puissance, tourner l'écrou du presse-étoupe dans le sens inverse des aiguilles d'une montre 1/16 de tour à la fois, jusqu'à ce qu'il n'y ait plus de résistance.
4. S'il est impossible d'arrêter la fuite sans une résistance excessive de la gâchette, remplacer le presse-étoupe.

L'atomisation de matériaux chauffés nécessite la mise en place du pare-chaueur réf. 54-7527. Pour poser le pare-chaueur (16) :

1. Mettre la pompe hors tension et évacuer la pression du pistolet. Débrancher le pistolet du flexible.
2. Déposer les vis et le support (17) au bas du pistolet. Poser le pare-chaueur (16) et reposer le support et les vis.



Élément N°	N° de réf.	Description	Quantité
1		Buse réversible 7 500 psi, voir le tableau	1
1A	54-7539-K2	Kit de brace pour buse réversible	1
2	1108-75B	Protège-buse réversible 7 500 psi	1
3A	54-7511-K	Kit écrou de diffuseur 0811-7500-1, 0811-7500-2	1
3B	54-7537-K	Kit écrou de diffuseur 0811-7500-3	1
4	54-2096-K5	Rondelle (jeu de 5)	1
5	54-7518-K	Kit d'assemblage de tube de produit	1
6	54-7523-K	Kit tête de pistolet	1
7	72-792	Adaptateur d'entrée	1
9	20-5865-K3	Vis sans tête (jeu de 3)	1
10	54-7534-K	Kit gâchette	1
11	54-7512	Aiguille	1
12	54-2949	Presse-étoupe	1
14	54-7508	Ressort	1
15	54-7530-K	Kit chapeau arrière	1
16	54-7527	Pare-chaleur (accessoire)	
17	54-7510-K	Kit support	1
18	54-7519-K	Fixation de flexible	1

- 0811-7500-1 uniquement.
- ★ 0811-7500-2, 0811-7500-3

BUSE BINKS

TABLEAU DE SÉLECTION

N° DE RÉFÉRENCE 9 -XXX-75 (Les buses son prévues pour une pression nominale de 517 bar [7 500 psi])
Les buses suivantes sont toutes munies d'une poignée grise

Taille de l'orifice	Jet de 4"	Jet de 6"	Jet de 8"	Jet de 10"	Jet de 12"	Jet de 14"
.007"		307				
.009"		309	409	509		
.011"	211	311	411	511	611	
.013"	213	313	413	513	613	713
.015"	215	315	415	515	615	715
.017"	217	317	417	517	617	717
.019"		319	419	519	619	
.021"			421	521	621	
.023"				523	623	
.025"				525	625	
.027"					627	
.031"					631	
.035"			435		635	

ACCESSOIRES BINKS

N° DE COMMANDE	DESCRIPTION
72-2332	Adaptateur de raccord pivotant 1/4" M x 1/4" F
72-2333	Adaptateur de raccord pivotant 3/8" M x 1/4" F
72-2340	Adaptateur de raccord pivotant avec filtre d'entrée (60 mesh)
72-2341	Adaptateur de raccord pivotant avec filtre d'entrée (100 mesh)
54-1836	Filtre 60 mesh
54-1835	Filtre 100 mesh
52-5208	Rallonge de buse airless 36"
52-5209	Rallonge de buse airless 60"
72-2339	Bloc haute pression en "Y" (500 bar [7 250 psi] max.)

FLEXIBLE PRODUIT AIRLESS

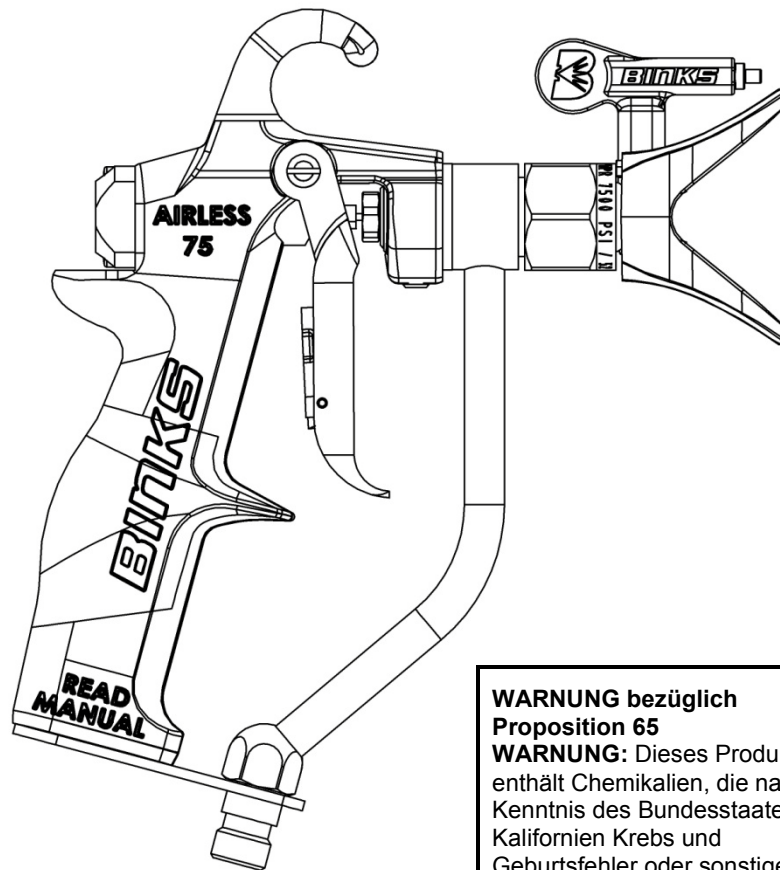
N° DE COMMANDE	DESCRIPTION
71-4870	Raccord de flexible 1/4" F x 3/8" M de 90 cm, pression de service de 689,5 bar (10 000 psi)
71-4840	Flexible 1/4" x 7,5 m, pression de service 689,5 bar (10 000 psi)
71-4841	Flexible 1/4" x 15 m, pression de service 689,5 bar (10 000 psi)
71-4860	Flexible 3/8" x 7,5 m, pression de service 551,5 bar (8 000 psi)
71-4861	Flexible 3/8" x 15 m, pression de service 551,5 bar (8 000 psi)

Airless 75

7500-PSI-AIRLESS-SPRITZPISTOLEN

0811-7500-1, 0811-7500-2, 0811-7500-3

Die nachfolgenden Anweisungen beinhalten wichtige Informationen, die für einen ordnungsgemäßen Betrieb und eine präventive Wartung der Airless-75-Spritzpistole von Binks nötig sind. Bitte lesen Sie diese Anweisungen genau durch und stellen Sie sicher, dass Sie deren Inhalt verstanden haben. Nur so können Sie Ihre neue Airless-75-Spritzpistole optimal nutzen.



WARNUNG bezüglich Proposition 65
WARNUNG: Dieses Produkt enthält Chemikalien, die nach Kenntnis des Bundesstaates Kalifornien Krebs und Geburtsfehler oder sonstige reproduktive Schäden verursachen können.

SPEZIFIKATIONEN:

Maximaler Flüssigkeitsdruck:	7500 psi/517 bar
Maximale Flüssigkeitstemperatur (mit installiertem Wärmeschutz)	175 °F/79 °C
Spritzpistolenkörper:	Geschmiedetes Aluminium
Flüssigkeitsführende Teile:	Edelstahl
Flüssigkeitseinlassgröße:	1/4-Zoll-NPS-Außengewinde
Pistolen­gewicht:	660 g / 23.3 oz

WICHTIG! **VERMEIDEN SIE BESCHÄDIGUNGEN**

Der Kunde ist dafür verantwortlich, dass sich alle Anwender sowie das Wartungspersonal mit diesen Anweisungen vertraut machen.

Falls Sie zusätzliche Kopien dieser Anweisungen benötigen, setzen Sie sich bitte mit ihrem Binks-Händler vor Ort in Verbindung.

BITTE LESEN VOR DEM BETRIEB DIESES PRODUKTS VON BINKS ALLE ANWEISUNGEN SORGFÄLTIG DURCH ANWEISUNGEN VERFÜGBAR UNTER WWW.BINKS.COM

Produktbeschreibung / Objekt der Erklärung :	Airless 75 Guns
Dieses Produkt wurde entwickelt zur Verwendung mit:	Wasser- und lösungsmittelhaltige Materialien
Für den Einsatz in explosionsgefährdeten Bereichen geeignet	Zone 1
Schutzniveau:	II 2 G X
Benannte Stelle Details und Rolle :	Element Materials Technology. WN8 9PN UK Unterkünfte für Technische Datei
Diese Konformitätserklärung / Eingliederung wird unter der alleinigen responsibility des Herstellers ausgestellt :	Carlisle Fluid Technologies, 320 Phillips Ave., Toledo, OH 43612

EU -Konformitätserklärung



Der Gegenstand der Erklärung oben beschrieben ist in Übereinstimmung mit den einschlägigen EU-Harmonisierungsgesetz :

Maschinenrichtlinie 2006/42/EG

ATEX-Richtlinie 2014/34/EU

durch Einhaltung der folgenden gesetzlichen Dokumente und harmonisierten Normen:

EN ISO 12100:2010 Sicherheit von Maschinen - Allgemeine Gestaltungsgrundsätze

EN 13463-1:2009 Nichtelektrische Geräte für den Einsatz in explosionsgefährdeten Bereichen - Grundmethoden und -anforderungen

EN 1953:2013 Spritz- und Sprühgeräte für Beschichtungsstoffe . Sicherheitsanforderungen.

Der Gegenstand der Erklärung oben in Übereinstimmung mit den einschlägigen EU-Harmonisierungsvorschriftenbeschrieben ist :

Richtlinie 94/ 9 / EG (bis 19. April 2016) und die Richtlinie 2014/34 / EU (ab 20. April 2016)

Bereitstellung aller Bedingungen für die sichere Verwendung / Installation angegeben innerhalb der Produkthandbücher mit und auch in Übereinstimmung mit allen anwendbaren lokalen Regeln der Technik installiert eingehalten wurden.

Signed for and on behalf of
Carlisle Fluid Technologies:

DJ Hasselschwert
14-Apr-16

(Vice President: Global
Product Development)
Toledo, OH 43612

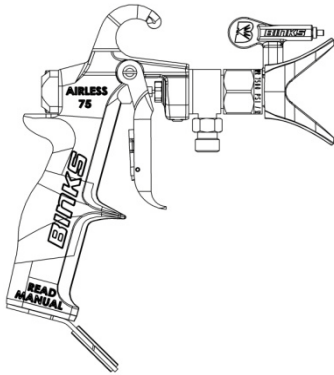
4-3193R-1

Airless 75 7500-PSI-Airless-Spritzpistole

Nur geschulte Fachkräfte dürfen mit diesem Gerät arbeiten!

Maximaler Betriebsdruck: 7500 psi –
517 bar – 51,7 MPa

Modelle 0811-7500-1, 0811-7500-2, 0811-7500-3



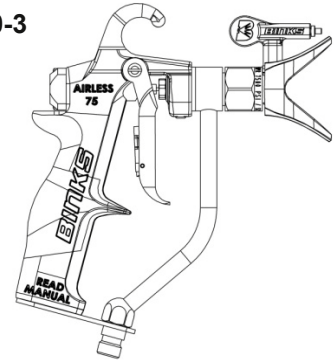
0811-7500-2
0811-7500-3

**SICHERHEITS-, BEDIENUNGS- UND
WARTUNGS-ANLEITUNGEN IM
DOKUMENT!!**

Lesen Sie alle Warn- und
Bedienungshinweise im Dokument

**BEWAHREN SIE DIESES HANDBUCH
SORGFÄLTIG AUF**

Falls Sie zusätzliche Kopien dieser
Anweisungen benötigen, setzen Sie
sich bitte mit ihrem Binks-Händler vor
Ort in Verbindung



0811-7500-1

Die folgenden Anweisungen beinhalten wichtige Informationen, die für den Betrieb und eine präventive Wartung der 7500-psi-Airless-75-Spritzpistole von **BINKS** nötig sind. Der Kunde ist dafür verantwortlich, dass sich alle Anwender sowie das Wartungspersonal mit diesen Anweisungen vertraut machen. Bitte lesen Sie diese Anweisungen genau durch und stellen Sie sicher, dass Sie deren Inhalt verstanden haben. Nur so können Sie Ihre neue Spritzpistole sicher bedienen.

WARNING [WARNUNG]

GEFAHREN FÜR DIE AUGEN: Wenn Sie keine Schutzbrille mit Seitenschutz tragen, können Sie schwere Verletzungen erleiden oder sogar erblinden. Aus diesem Grund müssen alle Bediener und umstehenden Personen stets Schutzbrillen mit Seitenschutz gemäß der ANSI-Norm Z87.1 bzw. der europäischen Norm 156 tragen.

WARNING [WARNUNG]

GEFAHR: GEFAHR DER INJEKTION: Ein durch dieses Gerät produzierter Hochdruckstrom kann in die Haut und das darunterliegende Gewebe eindringen und zu schweren Verletzungen bis hin zu Amputationen führen. Suchen Sie umgehend einen Arzt auf.

BEHANDELN SIE EINE INJEKTIONSVERLETZUNG NICHT WIE EINEN GEWÖHNLICHEN SCHNITT! Eine Injektionsverletzung kann zur Amputation führen. Suchen Sie umgehend einen Arzt auf.

WARNING [WARNUNG]

GEFAHR: GEFAHR VON VERBRENNUNGEN: Beim Gebrauch der Airless 75 mit einem Flüssigkeitserhitzer können die Oberflächen des Geräts sehr heiß werden. Verwenden Sie **STETS** den Wärmeschutz 54-7527, wenn Sie mit erwärmtem Material spritzen. Überschreiten Sie die

Flüssigkeitstemperatur von 175 °F nicht. Überschreiten Sie die vom Hersteller empfohlene Flüssigkeitstemperatur nicht.

SICHERHEITSVORKEHRUNGEN:

HALTEN SIE SICH VON DER DÜSE FERN: Überschreiten Sie den maximalen Betriebsdruck von 7500 psi (517 bar, 51,7 MPa) nicht.

VORSICHTSMASSNAHMEN:

Richten Sie die Pistole **NIEMALS** auf einen Körperteil.

Berühren Sie **NIEMALS** den Flüssigkeitsstrom mit einem Körperteil. Berühren Sie Undichtigkeiten im Flüssigkeitsschlauch **NICHT** mit dem Körper.

Halten Sie Ihre Hand **NIEMALS** vor die Pistole. Handschuhe bieten keinen Schutz vor Verletzungen durch Injektionen.

Sperren Sie **IMMER** den Pistolenabzug, schalten Sie die Pumpe aus und lassen Sie den Druck vollständig ab, bevor Sie Wartungsarbeiten durchführen, die Düse oder die Schutzvorrichtung reinigen, die Düse auswechseln oder die Pistole unbeaufsichtigt lassen. Der Druck wird durch Ausschalten des Motors nicht abgelassen. Das Ventil **GRUNDIEREN/SPRÜHEN** muss sich in der **GRUNDIEREN**-Position befinden, damit Druck abgelassen werden kann. Weitere Informationen entnehmen Sie bitte dem Abschnitt **PRESSURE RELIEF PROCEDURE** (Ablassen des Drucks), der im Pumpenhandbuch beschrieben wird.

Verändern Sie **NIEMALS** die Position der

DüSENSCHUTZVORRICHTUNG beim Spritzen. Die DüSENSCHUTZVORRICHTUNG bietet einen gewissen Schutz, dient jedoch vorwiegend als Warnvorrichtung.

Nehmen Sie die Spritzdüse **IMMER** ab, bevor Sie das Gerät spülen oder reinigen.

Am Farbschlauch können Undichtigkeiten infolge von Verschleiß, Knicken und falscher Handhabung auftreten. Undichtigkeiten können Material in die Haut injizieren. Prüfen Sie den Schlauch vor jedem Gebrauch.

Verwenden Sie eine Spritzpistole **NIEMALS** ohne eine funktionstüchtige Auslöserverriegelung und einen funktionstüchtigen Auslöserschutz.

Sämtliches Zubehör muss für einen Druck von mindestens 7500 psi (517 bar) zugelassen sein. Hierzu zählen Spritzdüsen, Pistolen, Verlängerungen und Schläuche.

HINWEIS FÜR ARZT:

Eine Injektion in die Haut ist eine traumatische Verletzung. Aus diesem Grund ist es wichtig, die Verletzung so schnell wie möglich zu behandeln. **ZÖGERN SIE DIE BEHANDLUNG NICHT HINAUS**, um die Toxizität zu untersuchen. Eine Toxizität ist gegeben, wenn Beschichtungen direkt in die Blutbahn injiziert werden. Die Hinzuziehung eines plastischen Chirurgen oder eines rekonstruktiven Handchirurgen wird empfohlen.

WARNING [WARNUNG]

BRAND- ODER EXPLOSIONSGEFAHR: Lösungsmittel- und Farbdämpfe können explodieren oder sich entzünden. Dies kann schwere Verletzungen und/oder Sachschäden zur Folge haben.

VORSICHTSMASSNAHMEN:

Achten Sie auf eine ausreichende Entlüftung und Frischluftzufuhr, damit sich keine entflammenden Dämpfe in der Luft innerhalb des Spritzbereichs bilden.

Vermeiden Sie Zündquellen wie Funken durch statische Elektrizität, Elektrogeräte, Flammen, Kontrollampen, heiße Objekte und Funken durch das Anschließen und Trennen von Stromleitungen oder Arbeitslichtschaltern.

Rauchen Sie nicht im Spritzbereich.

Feuerlöscher müssen vorhanden und funktionstüchtig sein.

Positionieren Sie die Pumpe mit einem Mindestabstand von 7,6 m zum zu lackierenden Objekt in einem gut belüfteten Bereich. Verlängern Sie ggf. den Schlauch. Entflammende Dämpfe sind oft schwerer als Luft. Der Fußbodenbereich muss daher besonders gut belüftet werden. Die Pumpe kann mit Lichtbogen verursachenden Komponenten ausgestattet sein, die Funken sprühen und Dämpfe entzünden.

Geräte und Gegenstände innerhalb des Spritzbereichs und in dessen Umgebung müssen zum Schutz vor statischen Funken ordnungsgemäß geerdet werden.

Verwenden Sie ausschließlich leitende oder geerdete Hochdruckflüssigkeitsschläuche. Die Pistole muss über Schlauchanschlüsse geerdet sein.

Stromkabel sind an einen geerdeten Stromkreis anzuschließen.

Spülen Sie das Gerät immer in einem separaten Metallbehälter bei niedrigem Pumpendruck ohne Spritzdüse. Halten Sie die Pistole fest gegen die Seitenwand des Behälters, um den Behälter zu erden und statische Funken zu vermeiden.

Befolgen Sie die Warnhinweise und Anweisungen des Material- und Lösungsmittelherstellers.

Gehen Sie besonders vorsichtig vor, wenn Sie Materialien mit

einem Flammpunkt unter 70 °F/21 °C verwenden. Bei dem Flammpunkt handelt es sich um die niedrigste Temperatur, bei der sich aus einer Flüssigkeit ein entzündliches Dampf-Luft-Gemisch bilden kann.

Kunststoff kann statische Funken verursachen. Hängen Sie niemals Kunststoffplanen auf, um einen Spritzbereich abzugrenzen. Verwenden Sie keine Kunststoffabdeckplanen, wenn Sie entflammende Materialien aufspritzen.

Verwenden Sie den geringstmöglichen Druck, um das Gerät zu spülen.

WARNING [WARNUNG]

GEFAHR: EXPLOSIONSGEFAHR AUFGRUND INKOMPATIBLER MATERIALIEN – hat schwere Verletzungen oder Sachschäden zur Folge.

VORSICHTSMASSNAHMEN:

Verwenden Sie keine Materialien, die Bleichmittel oder Chlor enthalten.

Verwenden Sie keine halogenwasserstoffhaltige Lösungsmittel wie Bleiche, Mehltaubekämpfungsmittel, Methylen, Chlorid und 1,1,1-Trichlorethan. Diese eignen sich nicht für Aluminium.

Informationen über die Kompatibilität von Materialien mit Aluminium erhalten Sie bei dem Hersteller der Beschichtungsmittel.

WARNING [WARNUNG]

GEFAHR: GEFÄHRLICHE DÄMPFE: Farben, Lösungsmittel, Insektizide und sonstige Materialien können gesundheitsschädigend sein, wenn diese eingeatmet werden oder in Kontakt mit dem Körper kommen. Dämpfe können schwere Übelkeit, Ohnmacht oder Vergiftung zur Folge haben.

VORSICHTSMASSNAHMEN:

Verwenden Sie ein Atemschutzgerät oder eine Atemschutzmaske, falls Dämpfe eingeatmet werden können. Lesen Sie sämtliche der Maske beiliegenden Anweisungen, um sicherzustellen, dass diese den erforderlichen Schutz bietet.

Tragen Sie eine Schutzbrille.

Tragen Sie die vom Hersteller der Beschichtungen vorgeschriebene Schutzkleidung.

WARNING [WARNUNG]

GEFAHR: ALLGEMEIN – Kann zu schweren Verletzungen oder Sachschäden führen.

VORSICHTSMASSNAHMEN:

Lesen Sie alle Anweisungen und Sicherheitsmaßnahmen, bevor Sie das Gerät in Betrieb nehmen.

Trennen Sie stets den Motor von der Stromversorgung, wenn Sie Arbeiten am Gerät ausführen.

Beachten Sie die entsprechenden lokalen, regionalen und nationalen Vorschriften bezüglich Belüftung, Brandschutz und Betrieb.

Die Sicherheitsnormen der US-amerikanischen Regierung wurden mit dem Gesetz über Sicherheit am Arbeitsplatz (OSHA) verabschiedet. Diese Normen und insbesondere Teil 1926 der Konstruktionsnormen sind zu beachten.

Verwenden Sie ausschließlich vom Hersteller zugelassene Komponenten. Der Benutzer haftet für alle Risiken, wenn Komponenten verwendet werden, die nicht den Grundanforderungen und Sicherheitsvorrichtungen des Pumpenherstellers genügen.

Prüfen Sie vor jedem Einsatz sämtliche Schläuche auf Schnitte, Undichtigkeiten, Abrieb oder Aufquellen der Ummantelung. Prüfen Sie auf eventuelle Schäden oder Bewegung der

Verbindungsstücke. Ersetzen Sie den Schlauch umgehend, sofern einer der vorstehenden Punkte zutrifft. Nehmen Sie unter keinen Umständen Reparaturen am Farbschlauch vor. Ersetzen Sie diesen durch einen anderen geerdeten Hochdruckschlauch. Sämtliche Schläuche, Drehteile, Pistolen und Zubehörteile müssen mindestens für den maximalen Betriebsdruckbereich der Airless-Spritzpistole zugelassen sein.

Spritzen Sie an windigen Tagen nicht im Freien.

Tragen Sie Schutzkleidung, um Farben von Haut und Haaren fernzuhalten.

WARNING [WARNUNG]

Im Folgenden sind allgemeine **WARNHINWEISE** im Zusammenhang mit **Aufstellung, Verwendung, Erdung, Wartung und Reparatur** dieses Geräts aufgeführt.

BRAND- UND EXPLOSIONSGEFAHR: Entflammbare Dämpfe wie Lösungsmittel und Farbdämpfe im Arbeitsbereich können sich entzünden und explodieren. Um einen Brand und eine Explosion zu verhindern:

Verwenden Sie das Gerät nur in gut belüfteten Bereichen. Sorgen Sie für eine gute Belüftung, damit sich keine leicht entzündlichen Dämpfe aufgrund des aufgespritzten Materials oder des Lösungsmittels bilden können.

Eliminieren Sie sämtliche Zündquellen wie Kontrolllampen, Zigaretten, tragbare Elektrolampen und Kunststoffabdeckplanen (potenzieller elektrostatischer Lichtbogen).

Halten Sie den Arbeitsbereich frei von Verunreinigungen; einschließlich Lösungsmitteln, Lappen und Benzin.

Spritzpistolen erzeugen Funken. Wenn entzündliche Flüssigkeiten in oder in der Nähe der Spritzpistole zum Spülen oder Reinigen eingesetzt werden, halten Sie die Spritzpistole mindestens 7,6 m von explosiven Dämpfen fern.

Nehmen Sie alle Geräte im Spritzbereich vom Netz. Stecken Sie Stromkabel nicht in die Steckdose bzw. ziehen Sie diese nicht heraus und schalten Sie keine Lichter ein oder aus, wenn entzündliche Dämpfe vorhanden sind.

Erden Sie Geräte und leitende Gegenstände im Arbeitsbereich. Erden Sie den zu bespritzenden Gegenstand.

Wenn es zu einem statischen Funkenschlag kommt oder Sie einen Schlag bekommen, **dann stellen Sie die Arbeit sofort ein**. Verwenden Sie das Gerät erst dann wieder, wenn Sie das Problem ausfindig gemacht und behoben haben.

Achten Sie darauf, dass sich ein Feuerlöscher im Arbeitsbereich befindet.

GEFAHR DER HAUTINJEKTION

Unter hohem Druck stehende Flüssigkeiten in der Spritzpistole, Undichtigkeiten im Schlauch oder beschädigte Komponenten können die Haut durchstoßen. Dies kann zwar wie ein Schnitt aussehen, jedoch handelt es sich hierbei um eine schwere Verletzung, die eine Amputation zur Folge haben kann. **Suchen Sie daher umgehend einen Arzt auf. Informieren Sie den Arzt darüber, welche Art Material injiziert wurde.**

Richten Sie die Pistole auf keinen Fall auf Personen oder auf irgendwelche Körperteile.

Decken Sie die Spritzdüse nicht mit Ihren Händen oder Fingern ab.

Versuchen Sie nicht, auslaufende Flüssigkeiten mit Ihrer Hand, Ihrem Körper, einem Handschuh oder Lappen zu stoppen oder umzuleiten.

Spritzen Sie nicht ohne Düsenschutzvorrichtung.

Sperrern Sie den Abzug, wenn Sie nicht spritzen.

Führen Sie das Druckentlastungsverfahren für Ihren Zerstäuber

durch, wenn Sie mit den Spritzarbeiten aufhören und bevor Sie Ihr Gerät reinigen, prüfen oder warten.

Ziehen Sie alle Flüssigkeitsverbindungen fest, bevor Sie das Gerät einsetzen.

Überprüfen Sie täglich alle Schläuche, Leitungen und Verbindungsstücke. Tauschen Sie alle abgenutzten, beschädigten oder losen Teile sofort aus.

GEFAHR DES GERÄTEMISBRAUCHS

Dieses Gerät ist nur für den professionellen Einsatz geeignet.

Machen Sie sich mit allen Anweisungen, Markierungen und Warnhinweisen vertraut, bevor Sie das Gerät einsetzen.

Verwenden Sie das Gerät nur für den vorgesehenen Zweck. Wenn Sie sich in Bezug auf den Verwendungszweck des Gerätes nicht im Klaren sind, kontaktieren Sie Ihren BINKS-Händler vor Ort.

Missbrauch kann zum Tod oder zu schweren Verletzungen führen.

Überschreiten Sie nicht den maximalen Arbeitsdruck oder die maximale Temperatur der Gerätekomponente mit den niedrigsten Werten. Technische Daten finden Sie in den jeweiligen Gerätehandbüchern.

Verwenden Sie Flüssigkeiten und Lösungsmittel, die sich für die Nassteile Ihres Gerätes eignen. Technische Daten finden Sie in den jeweiligen Gerätehandbüchern. Lesen Sie die Warnhinweise des Herstellers der Flüssigkeiten und der Lösungsmittel. Vollständige Informationen zu Ihrem Material können Sie durch ein Materialsicherheitsdatenblatt bei Ihrem Händler anfordern.

Prüfen Sie Ihr Gerät täglich. Verändern oder modifizieren Sie Ihr Gerät keinesfalls. Reparieren oder ersetzen Sie verschlissene oder beschädigte Teile umgehend und ausschließlich mit Original-**BINKS**-Ersatzteilen.

Verändern oder modifizieren Sie das Gerät keinesfalls.

Verwenden Sie das Gerät nur für den vorgesehenen Zweck. Weitere Informationen erhalten Sie bei Binks.

Achten Sie darauf, die Schläuche und Kabel von stark frequentierten Bereichen, scharfen Kanten, beweglichen Teilen und heißen Oberflächen fernzuhalten.

Knicken oder überdehnen Sie die Schläuche nicht und verwenden Sie diese nicht, um das Gerät zu ziehen.

Verwenden Sie Original-**BINKS**-Schläuche. Sofern im Lieferumfang enthalten, entfernen Sie nicht die Knickschutzfedern, die an den Schläuchen angebracht sind. Diese verhindern, dass die Schläuche an den Anschlüssen knicken.

Halten Sie Kinder und Tiere vom Arbeitsbereich fern.

Befolgen Sie alle geltenden Sicherheitsbestimmungen.

Bedienen Sie das Gerät nicht, wenn Sie müde sind oder unter dem Einfluss von Drogen, Medikamenten oder Alkohol stehen.

GEFAHR DURCH GIFTIGE FLÜSSIGKEITEN

Machen Sie sich mit den speziellen Gefahren der Flüssigkeiten, mit denen Sie arbeiten, vertraut. Nähere Informationen hierzu finden Sie in den entsprechenden Materialsicherheitsdatenblättern. Machen Sie sich mit den Warnhinweisen des Herstellers in Bezug auf die Flüssigkeiten vertraut.

Lagern Sie gefährliche Flüssigkeiten nur in dafür vorgesehenen Behältern. Entsorgen Sie gefährliche Flüssigkeiten ausschließlich gemäß den staatlichen bzw. regionalen Richtlinien.

Tragen Sie geeignete Schutzkleidung, Handschuhe, Schutzbrille und Atemschutz.

ERDUNG UND ELEKTRISCHE ANFORDERUNGEN

Der Zerstäuber und die Pistole müssen geerdet sein. Durch das Erden wird das Risiko eines elektrostatischen und elektrischen Schlags verringert, indem der aufgrund statischer Aufladung oder im Falle eines Kurzschlusses erzeugte Strom über ein Ausweikkabel abgeleitet wird. Befolgen Sie die Erdungsanweisungen, die im Gerätehandbuch der Spritzgeräte enthalten sind. Zusätzliche Erdungsanweisungen für Ihre Airless-75-Spritzpistole von **BINKS** sind im Lieferumfang enthalten:

Erden Sie Ihre Airless-75-Spritzpistole von **BINKS** durch Anschluss an einen ordnungsgemäß geerdeten Flüssigkeitsschlauch und eine ordnungsgemäß geerdete Pumpe.

EINRICHTUNG

WARNING [WARNUNG]

Versuchen Sie unter keinen Umständen, die Pistole, die Düse oder die Düsenschutzvorrichtung zu montieren, auszuwechseln oder zu reinigen, ohne vorher den Druck aus dem Spritzsystem abzulassen. Lassen Sie den Druck, wie im Zerstäuberhandbuch beschrieben, ab.

WARNING [WARNUNG]

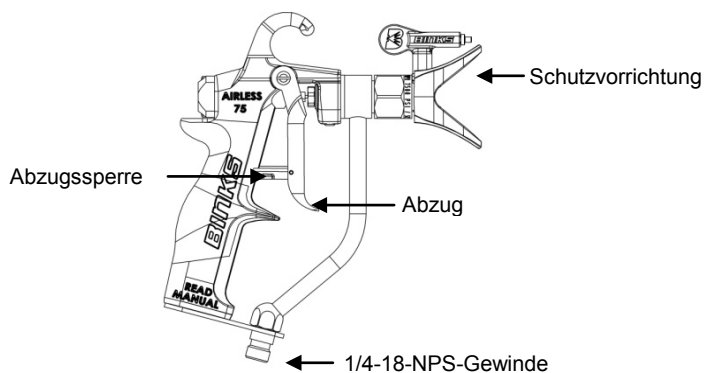
Verwenden Sie stets die Düsenschutzvorrichtung für einen ausreichenden Schutz vor Injektionsverletzungen. Achten Sie darauf, dass die Schutzvorrichtung an sich Injektionsverletzungen nicht verhindern kann. Schneiden Sie NIEMALS die Düsenschutzvorrichtung ab! Sperren Sie den Abzug stets, wenn die Pistole nicht in Gebrauch ist. Bevor Geräte gewartet werden sollen, informieren Sie sich in den relevanten Gerätehandbüchern und befolgen Sie die Warnhinweise.

WARNING [WARNUNG]

Achten Sie darauf, dass die Flüssigkeit nicht die vom Hersteller empfohlene Höchsttemperatur überschreitet. Die Pistole muss über einen Wärmeschutz (54-7527) verfügen, der bei der Verwendung von erhitzten Materialien zum Einsatz kommt.

Hinweis: Die Düsenschutzvorrichtungen von BINKS für die 7500-psi-(517 bar)-Airless-Spritzpistole sind grau dargestellt.

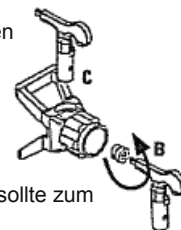
BINKS Airless 75 PROFESSIONELLE AIRLESS-SPRÜHPISTOLE



Wenn Sie eine Original-Düse von BINKS verwenden, befolgen Sie die untenstehenden Anweisungen für die Installation der Schutzvorrichtung und der Düse. Wenn Sie eine andere Düse verwenden, befolgen Sie die Installationsanweisungen der von Ihnen verwendeten Düse.

INSTALLATION DER DÜSE UND DER SCHUTZVORRICHTUNG

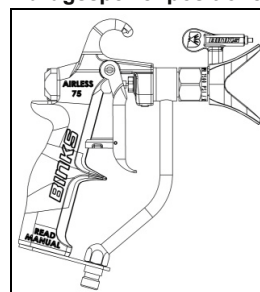
1. Vergewissern Sie sich, dass die Düse und die Düsenschutzvorrichtung zum Gebrauch bei 7500 psi zugelassen sind. (Original-Teile von BINKS sind grau.)
2. Verwenden Sie das Dichtungs-justierwerkzeug an dem -Düsengriff von BINKS, um die Dichtung und die Druckdichtung am hinteren Teil der Schutzvorrichtung einzufügen. Drehen Sie dieses, um die Dichtungen an der Düsenöffnung auszurichten.
3. Fügen Sie die Düse in die Öffnung der -Schutzvorrichtung von BINKS ein. HINWEIS: Das schmale Ende des Düsengriffs sollte zum Spritzen nach vorne zeigen.
4. Drehen Sie die Schutzvorrichtung auf den Pistolenkopf, bis sie einrastet. Ziehen Sie diese leicht mit einem Schraubenschlüssel fest – ZIEHEN SIE DIESE NICHT ZU FEST AN.



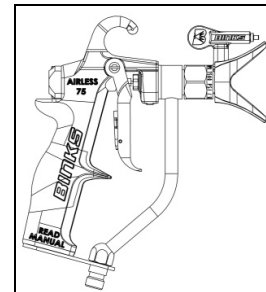
ANSCHLUSS AN DEN SCHLAUCH

Befestigen Sie einen ordnungsgemäß geerdeten Flüssigkeitsschlauch am Flüssigkeitsschlauchverbindungsstück (1/4-18-NPS-Gewinde) unten am Griff Ihrer Spritzpistole. Verwenden Sie zwei (2) Schraubenschlüssel – einen an der Pistole und einen am Schlauch. Ziehen Sie die Verbindungen fest an.

Abzugssperrenpositionen



GESPERRT



ENTRIEGELT

BETRIEB DER PISTOLE

1. Vergewissern Sie sich, dass sich Ihre Düse in der Spritzposition befindet.
2. Schalten Sie Ihren Zerstäuber wie im Handbuch beschrieben ein.
3. Betätigen Sie den Abzug, um Flüssigkeit in die Pistole zu ziehen.
4. Stellen Sie den Flüssigkeitsdruck am Zerstäuber ein, bis Sie die richtige Zerstäubung erreicht haben. Spritzen Sie stets mit dem niedrigsten Druck, der für die gewünschte Zerstäubung erforderlich ist.

VERSTOPFUNGEN DER DÜSE

Wenn Sie eine Original-Spritzdüse von BINKS verwenden, befolgen Sie die untenstehenden Anweisungen zum Reinigen einer verstopften Düse. Wenn Sie eine andere Düse verwenden, befolgen Sie die im Gerätehandbuch der Düse enthaltenen Anweisungen.

1. Aktivieren Sie die Abzugssperre. Drehen Sie den Düsengriff um 180° in die umgekehrte Position.
2. Entriegeln Sie den Abzug. Richten Sie die Pistole auf einen Eimer, wobei Sie die Pistole von Ihrem Körper wegrichten. Betätigen Sie den Abzug vorsichtig, um die Verstopfung zu

entfernen.

3. Aktivieren Sie die Abzugssperre. Drehen Sie den Düsengriff um 180° in die Spritzposition.
4. Entriegeln Sie den Abzug. Machen Sie einen Spritztest, um sicherzustellen, dass die Verstopfung vollständig entfernt wurde.

HINWEIS: Wenn die Verstopfung nach der Durchführung der oben genannten Schritte nicht vollständig entfernt wurde, wiederholen Sie die Schritte 1-4, bis die Verstopfung vollständig behoben ist.

REINIGUNG UND WARTUNG

TÄGLICHE REINIGUNG

Halten Sie die Pistole immer sauber, um einen fehlerfreien Betrieb zu gewährleisten und die Lebensdauer Ihrer Pistole zu verlängern. Spülen Sie die Pistole nach jedem Gebrauch gründlich und bewahren Sie sie an einem warmen, trockenen Ort auf. Lassen Sie die Pistole oder Teile davon NIE längere Zeit in Wasser oder Lösungsmitteln.

Spülen Sie die Pistole wenn möglich im Freien bei einem Mindestabstand von 7,5 m zum Zerstäuber.

Im Bereich dürfen keine entflammaren Dämpfe vorhanden sein.

Spülen Sie stets bei minimalem Druck. Entfernen Sie stets die Düse und die Schutzvorrichtung.

Eine statische Aufladung birgt ein gewisses Brand- oder Explosionsrisiko bei Vorhandensein von entflammaren Dämpfen.

Halten Sie die Pistole fest gegen einen geerdeten Metallbehälter, wenn Sie diese spülen.

FEHLERSUCHE

Die Entfernung der Spritzpistole zur Arbeitsoberfläche sollte so gewählt werden, dass immer das beste Spritzbild erreicht wird. Diese Entfernung liegt üblicherweise bei 20-35 cm.

Übermäßiger Flüssigkeitsdruck verändert das Spritzmuster. Spritzen Sie daher bei einem möglichst geringen Druck. Sanduhren- und Schwanzmuster sind üblicherweise ein Anzeichen dafür, dass der Flüssigkeitsdruck zu gering für die Öffnungsgröße der Düsen Spitze oder das Material zu viskos oder dickflüssig ist. Erhöhen Sie aus diesem Grund den Druck oder verdünnen Sie das Material.

Ungleichmäßige Muster können auf verschlissene oder verstopfte Düsen zurückzuführen sein. Reinigen (siehe Verstopfungen der Düse) oder ersetzen Sie die Spritzdüse.

Airless-Spritzpistolen sind entweder ein- oder ausgeschaltet. Sie können mit Airless-Pistolen nicht wie mit Druckluftpistolen spritzen.

Aufeinanderfolgende Anstriche erfordern ggf. eine Überlagerung. Die übliche Überlagerung liegt bei 30 %.

AUSTAUSCH DER NADELEINHEIT (11)

1. Schalten Sie die Stromversorgung zur Pumpe ab und lassen Sie den Druck aus der Pistole ab. Trennen Sie die Pistole vom Schlauch.

2. Entfernen Sie die Schrauben und die hintere Abdeckung. (15)
3. Entfernen Sie den Abzug und den Abzugsbolzen (10).
4. Lösen Sie die Überwurfmutter.
5. Ziehen Sie die Nadeleinheit aus der Rückseite der Pistole heraus.
7. Setzen Sie die Nadeleinheit (von Schritt 5) durch die Rückseite der Pistole wieder in die korrekte Position. Ziehen Sie die Überwurfmutter an.
8. Bringen Sie die Komponenten wieder an.

AUSTAUSCH DER DICHTUNG

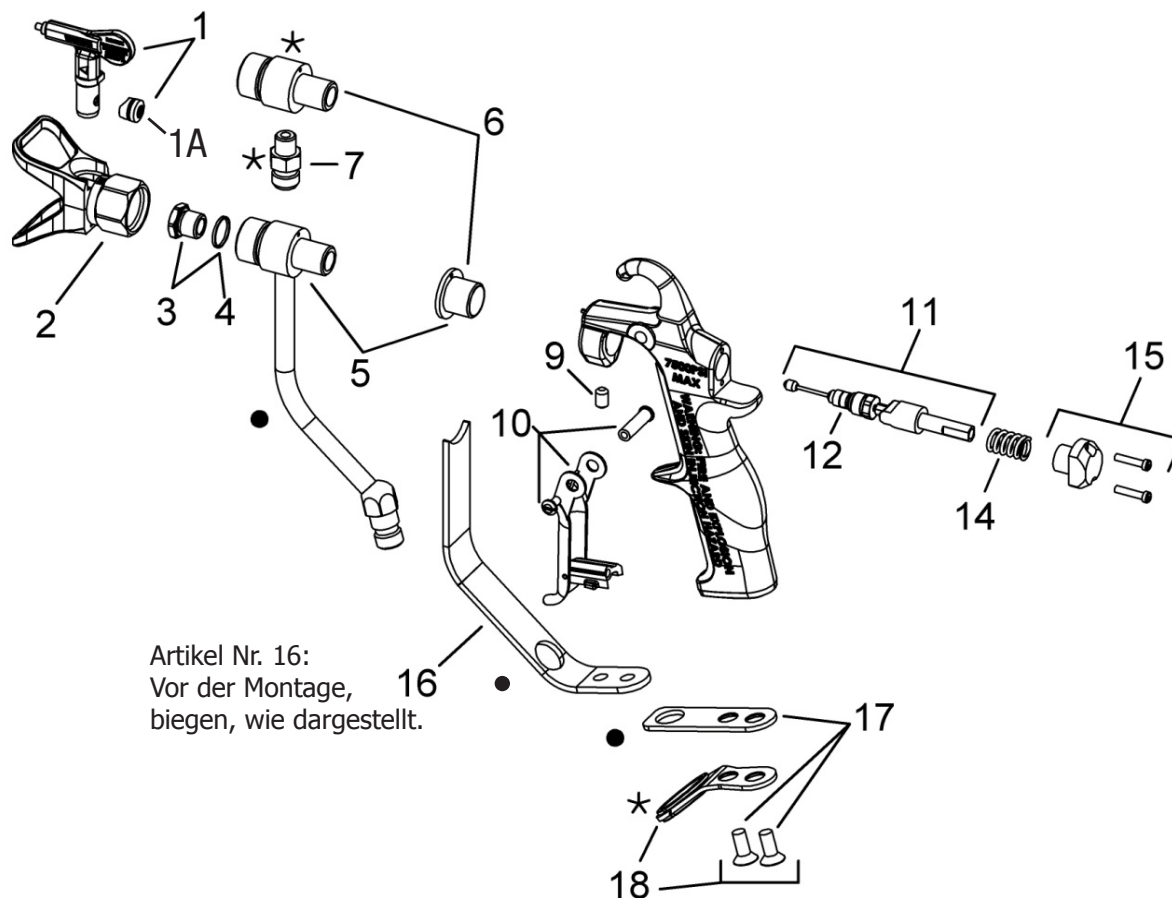
1. Entfernen Sie die Nadeleinheit, indem Sie die Schritte 1-5 in Abschnitt „Austausch der Nadeleinheit“ ausführen.
2. Suchen Sie den Schlitz in der Stopfbuchse (12), brechen Sie diesen auseinander und ziehen Sie diese ab.
3. Bringen Sie eine neue Stopfbuchse an und setzen Sie das Gerät wieder zusammen.

JUSTIEREN DER STOPFBUCHSE

1. Schalten Sie die Stromversorgung zur Pumpe ab und lassen Sie den Druck aus der Pistole ab. Trennen Sie die Pistole vom Schlauch.
2. Verwenden Sie einen 7/16-Zoll-Gabelschlüssel, um die Überwurfmutter zur Eliminierung von Undichtigkeiten in der Stopfbuchse im Uhrzeigersinn zu drehen.
3. Ist der Abzug sehr schwergängig, drehen Sie die Überwurfmutter solange in 1/16-Drehungen gegen den Uhrzeigersinn, bis der Widerstand eliminiert wurde.
4. Wenn die Undichtigkeit nicht ohne übermäßige Druckausübung auf den Abzug behoben werden kann, ersetzen Sie die Dichtung.

Zum Spritzen von erhitzten Materialien ist die Installation des Wärmeschutzes 54-7527 erforderlich. Zum Installieren des Wärmeschutzes (16) gehen Sie wie folgt vor:

1. Schalten Sie die Stromversorgung zur Pumpe ab und lassen Sie den Druck aus der Pistole ab. Trennen Sie die Pistole vom Schlauch.
2. Entfernen Sie die Schrauben und die Klammer (17) auf der Unterseite der Pistole. Installieren Sie den Wärmeschutz (16) und setzen Sie die Klammer und die Schrauben wieder ein.



Artikel-Nr.	Teile-Nr.	Beschreibung	Menge
1		Drehdüse 7500 psi, siehe Grafik	1
1A	54-7539-K2	Klammerset für Drehdüse 7500 psi	1
2	1108-75B	7500-psi-Drehdüsenschutzvorrichtung	1
3A	54-7511-K	Diffusermutterset 0811-7500-1, 0811-7500-2	1
3B	54-7537-K	Diffusermutterset 0811-7500-3	1
4	54-2096-K5	Scheibe (5er-Set)	1
5	54-7518-K	Flüssigkeitsschlaucheinheitsset	1
6	54-7523-K	Pistolenkopfset	1
7	72-792	Einlassadapter	1
9	20-5865-K3	Stellschraube (3er-Set)	1
10	54-7534-K	Abzugsset	1
11	54-7512	Nadeleinheit	1
12	54-2949	Stopfbuchse	1
14	54-7508	Feder	1
15	54-7530-K	Hintere Kappe	1
16	54-7527	Wärmeschutz (Zubehör)	
17	54-7510-K	Klammerset	1
18	54-7519-K	Schlauchbefestigung	1

- nur 0811-7500-1.
★ 0811-7500-2, 0811-7500-3

BINKS-SPRITZDÜSE AUSWAHLÜBERSICHT

TEILENUMMER 9-XXX-75 (Düsen, die für den Gebrauch bei 7500 psi zugelassen sind) Alle der folgenden Düsen haben einen grauen Griff

Öffnungsgröße	4-Zoll-Spritzmuster	6-Zoll-Spritzmuster	8-Zoll-Spritzmuster	10-Zoll-Spritzmuster	12-Zoll-Spritzmuster	14-Zoll-Spritzmuster
.007"		307				
.009"		309	409	509		
.011"	211	311	411	511	611	
.013"	213	313	413	513	613	713
.015"	215	315	415	515	615	715
.017"	217	317	417	517	617	717
.019"		319	419	519	619	
.021"			421	521	621	
.023"				523	623	
.025"				525	625	
.027"					627	
.031"					631	
.035"			435		635	

BINKS-ZUBEHÖR

BESTELL-NUMMER	BESCHREIBUNG
72-2332	Drehadapter 1/4 Zoll Außengewinde x 1/4 Zoll Innengewinde
72-2333	Drehadapter 3/8 Zoll Außengewinde x 1/4 Zoll Innengewinde
72-2340	Drehadapter mit Einlassfilter (Maschenweite 60)
72-2341	Drehadapter mit Einlassfilter (Maschenweite 100)
54-1836	60er Maschenfilter
54-1835	100er Maschenfilter
52-5208	36-Zoll-Airless-Düsenverlängerung
52-5209	60-Zoll-Airless-Düsenverlängerung
72-2339	Hochdruck-Y-Block (max. 7250 psi)

BINKS-AIRLESS-MATERIALSCHLAUCH

BESTELL-NUMMER	BESCHREIBUNG
71-4870	Spritzschlauch 1/4 Zoll Innengewinde x 3/8 Zoll Außengewinde, 3 Fuß, 10.000 psi Betriebsdruck
71-4840	Schlauch 1/4 Zoll x 25 Fuß, 10.000 psi Betriebsdruck
71-4841	Schlauch 1/4 Zoll x 50 Fuß, 10.000 psi Betriebsdruck
71-4860	Schlauch 3/8 Zoll x 25 Fuß, 8.000 psi Betriebsdruck
71-4861	Schlauch 3/8 Zoll x 50 Fuß, 8.000 psi Betriebsdruck

Airless 75

PISTOLE A SPRUZZO AIRLESS 7500 PSI

0811-7500-1, 0811-7500-2, 0811-7500-3

Le seguenti istruzioni forniscono le informazioni necessarie per il funzionamento corretto e la manutenzione preventiva della pistola a spruzzo Airless 75 Binks. Leggere e comprendere tutte le informazioni contenute in questo documento per ottenere le migliori prestazioni dalla nuova pistola a spruzzo Airless 75.



AVVERTENZA PROP 65
AVVERTENZA: Questo prodotto contiene sostanze chimiche note nello Stato della California come causa di cancro e malformazioni congenite o altri problemi riproduttivi.

DATI TECNICI:

Pressione massima dei liquidi:	7500 Psi/517 Bar
Temperatura massima dei liquidi (con protezione termica installata)	175°F
Corpo pistola:	Alluminio fucinato
Percorso fluido:	Acciaio inox
Dimensioni ingresso liquidi:	Filettatura 1/4" NPS(m)
Peso della pistola:	660 g / 23.3 oz

IMPORTANTE! NON DISTRUGGERE

È responsabilità del cliente assicurarsi che tutti gli operatori e il personale di servizio abbiano letto e compreso il presente manuale.

Contattare il proprio rivenditore locale Binks per ricevere copie aggiuntive di questo manuale.

LEGGERE TUTTE LE ISTRUZIONI PRIMA DI UTILIZZARE QUESTO PRODOTTO BINKS
ISTRUZIONI DISPONIBILI ANCHE SUL SITO WWW.BINKS.COM

Descrizione del prodotto / Oggetto della dichiarazione :

Airless 75 Guns

Il presente Prodotto è destinato all'uso con:

Materiali a base solvente e acqua

Adatto per l'uso in aree pericolose:

Zona 1

Livello protezione:

II 2 G X

Notificato dettagli del corpo e il ruolo :Element Materials Technology. WN8 9PN UK
Presentazione di Fascicolo tecnico**Questa dichiarazione di conformità / incorporazione viene rilasciata sotto l'esclusiva responsibility del produttore :**Carlisle Fluid Technologies,
320 Phillips Ave.,
Toledo, OH 43612**Dichiarazione di conformità EU****L'oggetto della dichiarazione di cui sopra è conforme alla pertinente normativa di armonizzazione dell'Unione :**

Direttiva macchine 2006/42/CE

Direttiva ATEX 2014/34/EU

conformemente ai seguenti documenti e standard armonizzati:

EN ISO 12100:2010 Sicurezza del macchinario - Principi generali di progettazione

EN 13463-1:2009 Apparecchi non elettrici destinati ad essere utilizzati in atmosfere potenzialmente esplosive - Metodo e requisiti di base

EN 1953:2013 Nebulizzazione e le attrezzature a spruzzo per materiali di rivestimento. Requisiti di sicurezza.

L'oggetto della dichiarazione di cui sopra è conforme alla pertinente normativa di armonizzazione dell'Unione : la direttiva 94 / 9 / CE (fino al 19 aprile 2016) e la direttiva 2014/34 / UE (dal 20 apr 2016)

Fornire tutte le condizioni di uso sicuro / installazione dichiarato nei manuali dei prodotti sono state rispettate e anche installato in accordo con i codici locali applicabili pratica .

Signed for and on behalf of
Carlisle Fluid Technologies:

DJ Hasselschwert
14-Apr-16

(Vice President: Global
Product Development)
Toledo, OH 43612

4-3193R-1

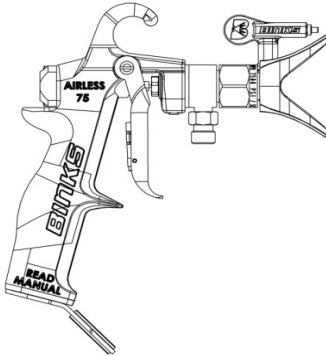
Airless 75

Pistola a spruzzo Airless 7500 PSI

Esclusivamente per uso professionale
da parte di personale addestrato!

Pressione massima di esercizio: 7500
PSI – 517 BAR – 51.7 Mpa

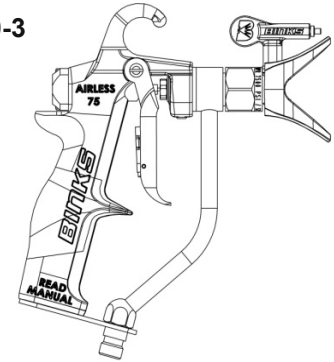
Modelli 0811-7500-1, 0811-7500-2, 0811-7500-3



**ISTRUZIONI PER LA SICUREZZA,
L'USO E LA MANUTENZIONE
ALL'INTERNO!!**

Leggere tutte le avvertenze e
le istruzioni per l'uso contenute
all'interno

**CONSERVARE QUESTO MANUALE
PER CONSULTAZIONI FUTURE**



0811-7500-2
0811-7500-3

Contattare il proprio rivenditore locale
Binks per ricevere copie aggiuntive di
questo manuale.

0811-7500-1

Le seguenti istruzioni forniscono le informazioni necessarie per il funzionamento corretto e la manutenzione preventiva della pistola a spruzzo Airless 75 7500 PSI BINKS. È responsabilità del cliente assicurarsi che tutti gli operatori e il personale di servizio abbiano letto e compreso il presente manuale. Leggere e comprendere tutte le informazioni contenute in questo documento per garantire un funzionamento sicuro della nuova pistola a spruzzo.

WARNING

RISCHIO DI LESIONI AGLI OCCHI: Il mancato utilizzo di occhiali di sicurezza con ripari laterali potrebbe causare gravi lesioni oculari o la cecità. Tutti gli operatori e gli assistenti devono sempre indossare occhiali di sicurezza con ripari laterali conformi allo standard ANSI Z87.1 o alla norma europea 156.

WARNING

PERICOLO: RISCHIO DI LESIONI DA INIEZIONE – i getti ad alta pressione prodotti dalla presente apparecchiatura possono perforare la pelle e i tessuti sottostanti, causando gravi lesioni e la possibile amputazione. Contattare immediatamente un medico.

NON TRATTARE LE LESIONI DA INIEZIONE COME SEMPLICI TAGLI! L'iniezione può causare l'amputazione. Contattare immediatamente un medico.

WARNING

PERICOLO: RISCHIO DI USTIONI: In caso di utilizzo della pistola a spruzzo Airless 75 con un riscaldatore per liquidi, le superfici dell'apparecchiatura possono diventare estremamente calde. Utilizzare SEMPRE la protezione termica 54-7527 durante la nebulizzazione di materiali riscaldati. Non superare la temperatura del liquido di 175°F. Non superare la temperatura del liquido consigliata dal

produttore.

PRECAUZIONI DI SICUREZZA:

TENERSI A DEBITA DISTANZA DALL'UGELLO: Non superare la pressione massima di esercizio di 7500 PSI (517 BAR, 51.7 Mpa).

PREVENZIONE:

NON puntare **MAI** la pistola a spruzzo verso qualunque parte del corpo.

NON lasciare **MAI** che qualsiasi parte del corpo entri a contatto con il getto di liquido. **NON** toccare con il corpo eventuali perdite presenti nel tubo flessibile per liquidi.

NON posizionare **MAI** le mani davanti alla pistola. I guanti non forniscono una protezione contro le lesioni da iniezione.

Bloccare **SEMPRE** il grilletto della pistola, arrestare la pompa e scaricare la pressione prima di procedere alla manutenzione, alla pulizia dell'ugello o della protezione, alla sostituzione dell'ugello o prima di lasciare incustodita l'apparecchiatura. La pressione non viene scaricata mediante il semplice spegnimento del motore. La valvola PRIME/SPRAY deve essere ruotata in posizione PRIME per scaricare la pressione. Fare riferimento alla **PROCEDURA DI SCARICO DELLA PRESSIONE** descritta nel manuale della pompa.

Tenere **SEMPRE** montata la protezione dell'ugello durante le operazioni di nebulizzazione. La protezione dell'ugello offre un certo livello di protezione, ma costituisce principalmente un dispositivo di segnalazione.

Rimuovere **SEMPRE** l'ugello di spruzzo prima di procedere al

lavaggio o alla pulizia del sistema.

Il tubo della vernice può essere soggetto a perdite causate da usura, attorcigliamento ed uso improprio. Eventuali perdite possono iniettare il materiale attraverso la pelle. Ispezionare il tubo prima di ciascun impiego.

NON utilizzare **MAI** una pistola a spruzzo senza il blocco e la protezione del grilletto montati e in buone condizioni di funzionamento.

Tutti gli accessori devono essere regolati ad una pressione di 7500 PSI (517 BAR) o superiore, inclusi gli ugelli di spruzzo, le pistole, le estensioni e il tubo flessibile.

NOTA PER IL MEDICO:

L'iniezione nella pelle è una lesione traumatica. È importante trattare la lesione il prima possibile. **NON RITARDARE** il trattamento per valutare la tossicità. La tossicità riguarda alcune vernici iniettate direttamente nel flusso sanguigno. È consigliabile consultare un chirurgo plastico o ricostruttivo.

WARNING

RISCHIO DI ESPLOSIONE O INCENDIO – I vapori dei solventi e delle vernici possono provocare esplosioni o incendi, causando gravi lesioni e/o danni al materiale circostante.

PREVENZIONE:

Garantire un'abbondante introduzione di aria fresca e uno scarico adeguato per evitare accumuli di vapori infiammabili all'interno dell'area di nebulizzazione.

Evitare qualsiasi fonte di ignizione come scintille elettrostatiche, apparecchi elettrici, fiamme, fiamme pilota, oggetti caldi e scintille derivanti dal collegamento e scollegamento di cavi di alimentazione o dall'uso di interruttori della luce.

Non fumare nell'area di nebulizzazione.

Deve essere presente un estintore in buone condizioni di funzionamento,

Posizionare la pompa ad una distanza di almeno 7,6 m dall'oggetto da trattare in un'area adeguatamente ventilata. Aggiungere altri tubi flessibili, se necessario. I vapori infiammabili sono spesso più pesanti dell'aria. L'area a livello del pavimento deve essere abbondantemente ventilata. La pompa può contenere elementi che producono archi elettrostatici in grado di emettere scintille e incendiare vapori.

L'apparecchiatura e gli oggetti situati all'interno e nei dintorni dell'area di nebulizzazione devono essere adeguatamente messi a terra per evitare la formazione di scintille elettrostatiche.

Utilizzare esclusivamente un tubo flessibile per liquidi ad alta pressione conduttivo o messo a terra. La pistola deve essere messa a terra tramite i collegamenti del tubo flessibile.

I cavi di alimentazione devono essere collegati ad un circuito messo a terra.

Lavare sempre l'unità in un recipiente di metallo a parte, con una pressione della pompa ridotta e l'ugello di spruzzo rimosso. Tenere saldamente la pistola contro il lato del recipiente per garantirne la messa a terra ed evitare la formazione di scintille elettrostatiche.

Seguire le avvertenze e le istruzioni del produttore del materiale e del solvente.

Prestare la massima attenzione durante l'impiego di materiali con un punto di infiammabilità inferiore a 70° F (21° C). Il punto di infiammabilità è la temperatura a cui un liquido è in grado di produrre una quantità sufficiente di vapori infiammabili.

La plastica può causare la formazione di scintille elettrostatiche. Non appendere mai oggetti in plastica all'interno dell'area di nebulizzazione. Non utilizzare teli protettivi in plastica durante la

spruzzatura di materiali infiammabili.

Utilizzare la pressione più ridotta possibile per lavare l'apparecchiatura.

WARNING

PERICOLO: RISCHIO DI ESPLOSIONE DOVUTO A MATERIALI INCOMPATIBILI – potrebbe causare gravi lesioni o danni al materiale circostante.

PREVENZIONE:

Non utilizzare materiali contenenti candeggina o cloro.

Non utilizzare solventi di idrocarburi alogenati quali candeggina, mufficida, metilene, cloruro e 1,1,1 – tricloroetano. Questi componenti non sono compatibili con l'alluminio.

Contattare il fornitore del prodotto verniciante per informazioni sulla compatibilità del materiale con l'alluminio.

WARNING

PERICOLO: VAPORI PERICOLOSI – Vernici, solventi, insetticidi e altri materiali possono essere nocivi in caso di inalazione o di contatto con parti del corpo. I vapori possono causare grave nausea, svenimenti o avvelenamento.

PREVENZIONE:

In presenza di possibile inalazione di vapori, utilizzare un respiratore o una maschera. Leggere tutte le istruzioni in dotazione con la maschera per avere la certezza che fornisca la protezione necessaria.

Indossare occhiali protettivi.

Indossare gli indumenti protettivi indicati dal produttore del materiale verniciante.

WARNING

PERICOLO: GENERALE – Può causare gravi lesioni o danni al materiale circostante.

PREVENZIONE:

Leggere tutte le istruzioni e le precauzioni per la sicurezza prima di mettere in funzione l'apparecchiatura.

Scollegare sempre il motore dall'alimentazione elettrica prima di utilizzare l'apparecchiatura.

Attenersi a tutte le norme locali, statali e nazionali vigenti in materia di ventilazione, prevenzione di incendi e funzionamento.

Gli standard sulla sicurezza del governo degli Stati Uniti sono stati recepiti nell'Occupational Safety and Health Act (OSHA). Consultare tali standard, in particolare la parte 1926 dei Construction Standards.

Utilizzare esclusivamente componenti autorizzati dal produttore.

L'utente si assume tutti i rischi e le responsabilità derivanti dall'utilizzo di componenti non conformi alle specifiche minime e ai dispositivi di sicurezza del produttore della pompa.

Prima di ciascun impiego, verificare l'eventuale presenza di tagli, perdite e abrasioni su tutti i tubi flessibili o di rigonfiamenti sul coperchio. Verificare l'eventuale presenza di danni o spostamenti degli accoppiamenti. In presenza di una qualsiasi di queste condizioni, sostituire immediatamente il tubo flessibile. Non riparare mai un tubo della vernice. Sostituirlo con un altro tubo ad alta pressione messo a terra.

Tutti i tubi, gli snodi, le pistole e gli accessori devono essere regolati ad una pressione pari o superiore alla pressione massima di esercizio del nebulizzatore Airless.

Non spruzzare all'aria aperta in presenza di vento.

Indossare indumenti protettivi per proteggere la pelle e i capelli dalla vernice.

WARNING

Di seguito sono riportate **AVVERTENZE generali relative alla configurazione, all'uso, alla messa a terra, alla manutenzione e alla riparazione della presente apparecchiatura.**

RISCHIO DI INCENDIO ED ESPLOSIONE – I vapori infiammabili, come quelli dei solventi e della vernice, presenti nell'area di lavoro possono infiammarsi o causare esplosioni. Per prevenire il rischio di incendi ed esplosioni:

Utilizzare l'apparecchiatura esclusivamente in un'area adeguatamente ventilata. Provvedere alla ventilazione con aria fresca per evitare depositi di fumi infiammabili creati dal materiale nebulizzato o dal solvente.

Eliminare tutte le fonti di ignizione, come fiamme pilota, sigarette, lampade elettriche portatili e teli protettivi in plastica (potenziale formazione di archi elettrostatici).

Mantenere l'area di lavoro libera da tutti i tipi di frammenti, inclusi i panni per il solvente e la benzina.

I nebulizzatori generano scintille. Durante l'uso di liquidi infiammabili all'interno o in prossimità del nebulizzatore o a fini di lavaggio o pulizia, mantenere il nebulizzatore ad una distanza di almeno 7,6 m dai vapori esplosivi.

Scollegare tutti i collegamenti elettrici nell'area di nebulizzazione. Non collegare o scollegare cavi di alimentazione né accendere o spegnere luci in presenza di vapori infiammabili.

Collegare a terra l'apparecchiatura e gli oggetti conduttivi presenti nell'area di lavoro. Collegare a terra l'oggetto da trattare.

Qualora si avvertano scosse elettriche o si osservino scintille elettrostatiche, **interrompere immediatamente l'utilizzo**. Non utilizzare l'apparecchiatura prima di avere individuato e corretto il problema.

Tenere a portata di mano un estintore nell'area di lavoro.

PERICOLO DI INIEZIONI ATTRAVERSO LA PELLE

Il liquido ad alta pressione derivante da pistole a spruzzo, perdite nei tubi o rotture nei componenti può perforare la pelle. All'apparenza potrebbe essere ritenuto un semplice taglio, ma si tratta di una grave lesione in grado di causare una possibile amputazione. **Provvedere immediatamente al trattamento chirurgico. Informare il medico riguardo alla natura del materiale iniettato.**

Non puntare la pistola verso persone o parti del corpo.

Non mettere le dita o le mani sopra l'ugello di spruzzo.

Non cercare di fermare o deviare perdite di fluido usando la mano, il corpo, un panno o un guanto.

Non procedere alla nebulizzazione senza la protezione dell'ugello installata.

Innestare il blocco del grilletto al termine delle operazioni di nebulizzazione.

Attenersi alla procedura di scarico della pressione della pistola a spruzzo al termine delle operazioni di nebulizzazione e prima di procedere alla pulizia, al controllo o alla manutenzione dell'apparecchiatura.

Serrare tutti i raccordi del fluido prima di utilizzare l'attrezzatura.

Controllare quotidianamente tutti i tubi conduttori, le tubazioni e gli accoppiamenti. Sostituire immediatamente tutti i pezzi usurati, danneggiati o allentati.

RISCHIO DA USI IMPROPRI DELL'ATTREZZATURA

Questa attrezzatura è indicata solo per l'uso professionale.

Leggere e comprendere tutti i manuali di istruzione, le etichette e le targhette prima di utilizzare l'attrezzatura.

Impiegare l'attrezzatura solo per l'uso previsto. In caso di dubbi

sull'uso previsto, contattare il proprio rivenditore BINKS.

Un uso improprio può causare gravi lesioni o la morte.

Non superare la pressione massima di esercizio o il valore di temperatura del componente di sistema con il valore più basso. Consultare i dati tecnici di tutti i manuali dell'apparecchiatura.

Utilizzare liquidi e solventi compatibili con le parti dell'apparecchiatura a contatto con liquidi. Consultare i dati tecnici di tutti i manuali dell'apparecchiatura. Leggere le avvertenze fornite dal produttore del liquido e del solvente. Per informazioni complete sul materiale utilizzato, richiedere la scheda di sicurezza presso il distributore o il rivenditore.

Controllare giornalmente l'apparecchiatura. Non alterare o modificare l'apparecchiatura. Riparare o sostituire immediatamente i componenti usurati o danneggiati esclusivamente con pezzi di ricambio **BINKS** originali.

Non alterare o modificare questa attrezzatura.

Impiegare l'attrezzatura solo per l'uso previsto. Contattare Binks per ulteriori informazioni.

Tenere i tubi e i cavi lontano da zone di passaggio, bordi taglienti, parti mobili e superfici calde.

Non attorcigliare o piegare eccessivamente i tubi e non utilizzare i tubi per tirare l'apparecchiatura.

Utilizzare tubi **BINKS** originali. Se presenti, non rimuovere le protezioni a molla dai tubi poiché queste sono posizionate sui tubi al fine di prevenire la rottura per annodamento ai raccordi.

Tenere i bambini e gli animali a debita distanza dall'area di lavoro.

Attenersi a tutte le norme di sicurezza applicabili.

Non utilizzare l'apparecchiatura in caso di affaticamento o sotto l'influenza di alcool o sostanze stupefacenti.

PERICOLO DI FLUIDI TOSSICI

È importante conoscere sempre nello specifico i rischi del fluido che si utilizza. Tali informazioni sono contenute nella scheda di sicurezza relativa al materiale utilizzato. Leggere tutte le avvertenze del produttore del fluido.

Conservare i fluidi pericolosi unicamente in contenitori conformi. Smaltire tutti i fluidi pericolosi nel rispetto di tutte le direttive locali e nazionali.

Indossare gli indumenti di protezione adeguati, guanti, occhiali e respiratore.

MESSA A TERRA E REQUISITI ELETTRICI

Il nebulizzatore e la pistola devono essere collegati a terra. Il collegamento a terra riduce il rischio di scosse elettriche ed elettrostatiche provvedendo ad una via di evacuazione della corrente elettrica in seguito ad un accumulo di elettricità statica o ad un eventuale cortocircuito. Seguire le istruzioni per la messa a terra incluse nel manuale dell'apparecchiatura in dotazione con tutti i sistemi di nebulizzazione. Di seguito sono riportate istruzioni aggiuntive per la messa a terra della pistola a spruzzo Airless 75 **BINKS**:

Collegare a terra la pistola a spruzzo Airless 75 **BINKS** attraverso il collegamento ad una pompa e ad un tubo per liquidi adeguatamente messi a terra.

INSTALLAZIONE E REGOLAZIONE

⚠ WARNING

Non tentare mai di assemblare, sostituire o pulire la pistola, l'ugello o la protezione dell'ugello senza aver prima scaricato la pressione dal sistema a spruzzo. Attenersi alla "PROCEDURA DI SCARICO DELLA PRESSIONE" descritta nel manuale dell'apparecchiatura del nebulizzatore.

⚠ WARNING

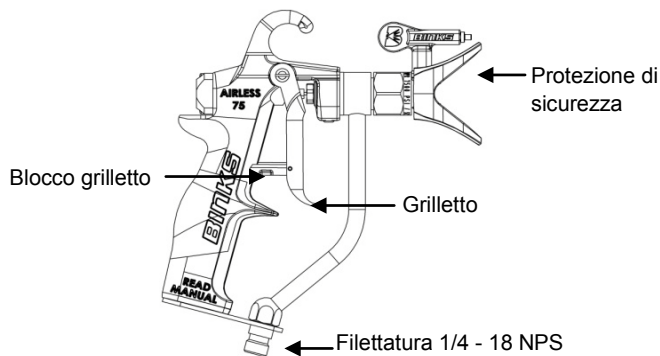
Utilizzare sempre la protezione di sicurezza dell'ugello come protezione aggiuntiva contro eventuali iniezioni. Tenere ben presente che la singola protezione non è in grado di evitare eventuali iniezioni. **NON tagliare MAI la protezione dell'ugello!** Innestare sempre il blocco del grilletto della pistola quando la pistola non è in funzione. Prima di procedere alla manutenzione dell'apparecchiatura, consultare tutti i relativi manuali e seguire tutte le avvertenze.

⚠ WARNING

Non oltrepassare la temperatura massima consigliata dal produttore del liquido. La pistola deve includere la protezione termica (54-7527) da utilizzarsi con materiali riscaldati.

Nota: Le protezioni di sicurezza degli ugelli per la pistola a spruzzo Airless BINKS 7500 PSI (517 BAR) sono di colore grigio.

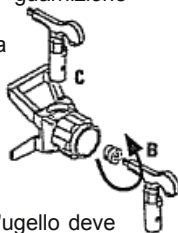
BINKS Airless 75 PISTOLA A SPRUZZO AIRLESS PROFESSIONALE



Se si utilizza un ugello BINKS originale, seguire le istruzioni sotto riportate per installare la protezione e l'ugello. Per tipi diversi di ugello, seguire le istruzioni per l'installazione fornite con l'ugello utilizzato.

INSTALLAZIONE DELL'UGELLO E DELLA PROTEZIONE

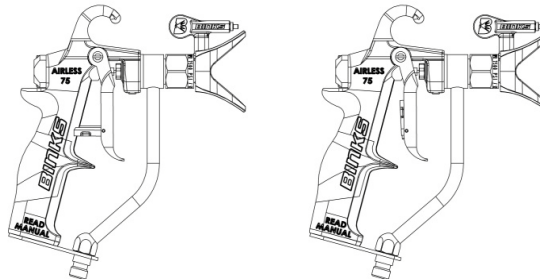
1. Accertarsi che l'ugello e la protezione dell'ugello siano regolati per l'uso a 7500 PSI. (I componenti BINKS originali sono di colore grigio.)
2. Utilizzare l'utensile di allineamento della guarnizione sull'impugnatura dell'ugello BINKS per inserire la guarnizione e la rondella a pressione nella parte posteriore della protezione, quindi ruotare per garantirne l'allineamento con l'apertura nello stelo dell'ugello.
3. Inserire l'ugello nell'apertura sulla protezione BINKS.
NOTA: L'estremità stretta dell'impugnatura dell'ugello deve trovarsi in posizione anteriore per la nebulizzazione.
4. Infilare la protezione sulla testa della pistola sino all'arresto. Serrare leggermente con una chiave – **NON STRINGERE ECCESSIVAMENTE.**



COLLEGAMENTO AL TUBO FLESSIBILE

Collegare un tubo flessibile per liquidi adeguatamente messo a terra all'apposito raccordo di collegamento (filettatura 1/4 – 18 NPS) all'estremità inferiore dell'impugnatura della pistola a spruzzo. Utilizzare due (2) chiavi – una sulla pistola e una sul tubo flessibile. Serrare fermamente.

Posizioni del blocco del grilletto



BLOCCATO

SBLOCCATO

UTILIZZO DELLA PISTOLA

1. Accertarsi che l'ugello si trovi in posizione di nebulizzazione.
2. Avviare il nebulizzatore seguendo le istruzioni fornite nel manuale del produttore dell'apparecchiatura.
3. Azionare il grilletto per far scorrere il liquido nella pistola.
4. Regolare la pressione del liquido sul nebulizzatore fino ad ottenere la corretta nebulizzazione. Spruzzare sempre alla pressione minima necessaria per ottenere la nebulizzazione desiderata.

OSTRUZIONI DELL'UGELLO

Se si utilizza un ugello di spruzzo BINKS originale, seguire le istruzioni sotto riportate per eliminare eventuali ostruzioni nell'ugello. Per tipi di ugello diversi, seguire le istruzioni incluse nel manuale dell'apparecchiatura in dotazione con l'ugello utilizzato.

1. Innestare il blocco del grilletto. Ruotare di 180° l'impugnatura dell'ugello sino a portarla nella posizione opposta.
2. Sbloccare il grilletto. Puntare la pistola verso l'interno di un secchio tenendo lontano dal corpo la punta della pistola. Azionare brevemente la pistola per espellere l'ostruzione.
3. Innestare il blocco del grilletto. Ruotare di 180° l'impugnatura dell'ugello sino a portarla nella posizione di nebulizzazione.
4. Sbloccare il grilletto. Effettuare una prova di nebulizzazione per accertarsi di avere completamente eliminato l'ostruzione.

NOTA: Se dopo aver seguito la procedura sopra illustrata l'ostruzione non è stata completamente espulsa, ripetere i punti 1-4 fino ad eliminare completamente l'ostruzione.

PULIZIA E MANUTENZIONE

PULIZIA GIORNALIERA

Per garantire un funzionamento senza problemi della pistola e prolungarne la vita utile, è importante tenerla sempre pulita. Lavare sempre accuratamente la pistola al termine di ciascun uso e conservarla in un ambiente caldo e asciutto. **NON** lasciare immersa la pistola o uno qualsiasi dei suoi componenti in acqua o solventi.

Se possibile, lavare sempre la pistola all'esterno e ad una distanza di almeno 7,5 m dal nebulizzatore.

L'area deve essere priva di vapori infiammabili.

Eseguire sempre il lavaggio alla pressione minima. Rimuovere sempre l'ugello e la protezione.

Un eventuale accumulo di elettricità statica può causare incendi o esplosioni in presenza di vapori infiammabili.

Durante il lavaggio, tenere sempre la pistola saldamente contro un recipiente in metallo collegato a terra.

RISOLUZIONE DEI PROBLEMI

La distanza della pistola a spruzzo dalla superficie da trattare deve corrispondere ad un punto in cui sia evidente il profilo del getto massimo. Tale distanza è generalmente compresa tra 8 e 14 pollici.

Una pressione eccessiva del liquido altera il profilo dello spruzzo. Spruzzare alla pressione minima consentita.

La presenza di sbavature e di profili a forma di clessidra indica generalmente una pressione del liquido troppo bassa per le dimensioni dell'orifizio dell'ugello utilizzato oppure un'eccessiva viscosità o densità del materiale. Aumentare la pressione o diluire il materiale.

L'alterazione dei profili può essere causata dall'usura o dall'ostruzione degli ugelli. Pulire (vedere ostruzioni dell'ugello) o sostituire l'ugello di spruzzo.

Le pistole a spruzzo Airless possono essere accese o spente. Non è possibile azionare parzialmente le pistole Airless come avviene con apparecchiature nebulizzate ad aria.

Le passate successive possono richiedere una sovrapposizione. La sovrapposizione tipica è del 30%.

SOSTITUZIONE DEL GRUPPO AGO (11)

1. Arrestare l'alimentazione elettrica alla pompa e scaricare la pressione dalla pistola. Rimuovere la pistola dal tubo flessibile.
2. Rimuovere le viti e il cappello posteriore. (15)
3. Rimuovere il grilletto e il perno del grilletto (10)
4. Svitare il dado premistoppa.
5. Estrarre il gruppo ago dalla parte posteriore della pistola.
6. Reinserire il gruppo ago (del punto 5) in posizione attraverso la parte posteriore del gruppo corpo pistola. Serrare il dado

premistoppa.

7. Riasssemblare i componenti.

SOSTITUZIONE DEL PREMISTOPPA

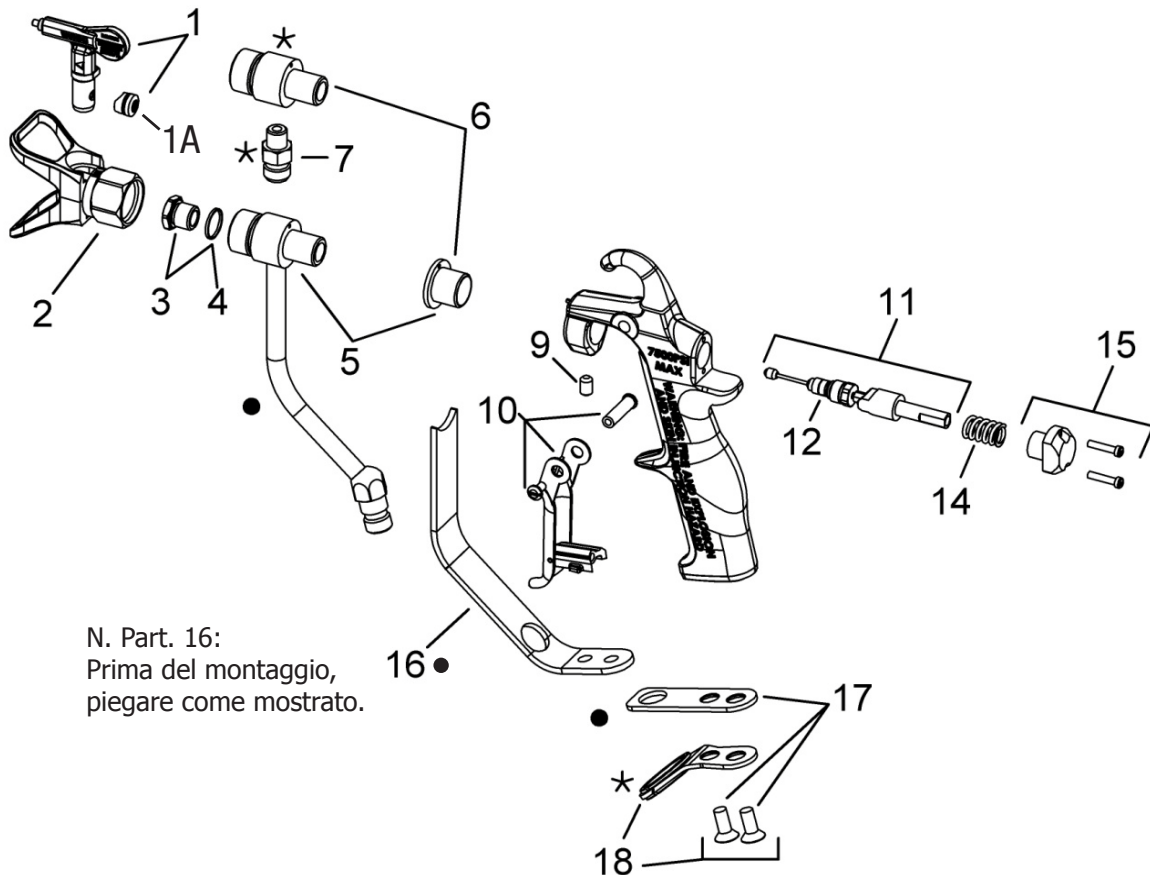
1. Rimuovere il gruppo ago seguendo i punti 1-5 della sezione "Sostituzione del gruppo ago".
2. Individuare la scanalatura nel premistoppa (12), e spingere per staccare.
3. Sostituire con un nuovo premistoppa e riasssemblare.

REGOLAZIONE DEL PREMISTOPPA

1. Arrestare l'alimentazione elettrica alla pompa e scaricare la pressione dalla pistola. Rimuovere la pistola dal tubo flessibile.
2. Mediante una chiave fissa doppia da 7/16", ruotare il premistoppa in senso orario per eliminare qualsiasi perdita in corrispondenza del premistoppa.
3. Se si nota che il grilletto fatica a funzionare, ruotare il premistoppa in senso antiorario con incrementi di 1/16 di giro fino ad eliminare la resistenza.
4. Se non è possibile arrestare la perdita senza una resistenza eccessiva sul grilletto, sostituire il premistoppa.

La nebulizzazione di materiali riscaldati richiede l'installazione della protezione termica 54-7527. Per installare la protezione termica (16):

1. Arrestare l'alimentazione elettrica alla pompa e scaricare la pressione dalla pistola. Rimuovere la pistola dal tubo flessibile.
2. Rimuovere le viti e la staffa (17) dalla parte inferiore della pistola. Installare la protezione termica (16) e rimontare la staffa e le viti.



N. Part. 16:
Prima del montaggio,
piegare come mostrato.

N. Part.	N. comp.	Descrizione	Quantità
1		Ugello a elica 7500 psi, vedere tabella	1
1A		Kit tonificante per ugello a elica 7500 psi	1
2	1108-75B	Protezione dell'ugello a elica 7500 psi	1
3A	54-7511-K	Kit dado diffusore 0811-7500-1, 0811-7500-2	1
3B	54-7537-K	Kit dado diffusore 0811-7500-3	1
4	54-2096-K5	Rondella (kit di 5)	1
5	54-7518-K	Kit gruppo tubo per liquidi	1
6	54-7523-K	Kit testa pistola	1
7	72-792	Adattatore d'ingresso	1
9	20-5865-K3	Vite di regolazione (kit di 3)	1
10	54-7534-K	Kit grilletto	1
11	54-7512	Gruppo ago	1
12	54-2949	Premistoppa	1
14	54-7508	Molla	1
15	54-7530-K	Kit cappello posteriore	1
16	54-7527	Protezione termica (accessorio)	
17	54-7510-K	Kit staffa	1
18	54-7519-K	Fermo tubo	1

- esclusivamente 0811-7500-1.
- ★ 0811-7500-2, 0811-7500-3

UGELLO DI SPRUZZO BINKS TABELLA DI SELEZIONE

NUMERO COMPONENTE 9-XXX-75 (ugelli regolati per l'uso a 7500 psi)
Tutti gli ugelli indicati di seguito sono dotati di un'impugnatura di colore grigio

Dim. orifizio	Profilo spruzzo 4"	Profilo spruzzo 6"	Profilo spruzzo 8"	Profilo spruzzo 10"	Profilo spruzzo 12"	Profilo spruzzo 14"
.007"		307				
.009"		309	409	509		
.011"	211	311	411	511	611	
.013"	213	313	413	513	613	713
.015"	215	315	415	515	615	715
.017"	217	317	417	517	617	717
.019"		319	419	519	619	
.021"			421	521	621	
.023"				523	623	
.025"				525	625	
.027"					627	
.031"					631	
.035"			435		635	

ACCESSORI BINKS

NUMERO ORDINE	DESCRIZIONE
72-2332	Adattatore girevole 1/4" M x 1/4" F
72-2333	Adattatore girevole 3/8" M x 1/4" F
72-2340	Adattatore girevole con filtro d'ingresso (maglia 60)
72-2341	Adattatore girevole con filtro d'ingresso (maglia 100)
54-1836	Filtro maglia 60
54-1835	Filtro maglia 100
52-5208	Estensione ugello Airless 36"
52-5209	Estensione ugello Airless 60"
72-2339	Blocco "Y" alta pressione (max. 7250 psi)

TUBO DEL FLUIDO AIRLESS

NUMERO ORDINE	DESCRIZIONE
71-4870	Tubo flessibile 1/4" F x 3/8" M, 3 piedi, pressione d'esercizio 10.000 psi
71-4840	Tubo 1/4" x 25 piedi, pressione d'esercizio 10.000 psi
71-4841	Tubo 1/4" x 50 piedi, pressione d'esercizio 10.000 psi
71-4860	Tubo 3/8" x 25 piedi, pressione d'esercizio 8.000 psi
71-4861	Tubo 3/8" x 50 piedi, pressione d'esercizio 8.000 psi

NOTES

NOTES

WARRANTY POLICY

Binks products are covered by Carlisle Fluid Technologies one year materials and workmanship limited warranty. The use of any parts or accessories, from a source other than Carlisle Fluid Technologies, will void all warranties. For specific warranty information please contact the closest Carlisle Fluid Technologies location listed below.

Carlisle Fluid Technologies reserves the right to modify equipment specifications without prior notice. DeVilbiss®, Ransburg®, MS®, BGK®, and Binks® are registered trademarks of Carlisle Fluid Technologies, Inc.

©2017 Carlisle Fluid Technologies, Inc.
All rights reserved.

Binks is part of Carlisle Fluid Technologies, a global leader in innovative finishing technologies. For technical assistance or to locate an authorized distributor, contact one of our international sales and customer support locations.

USA/Canada

info@carlisleleft.com
Tel: 1-888-992-4657
Fax: 1-888-246-5732

Mexico

ventas@carlisleleft.com.mx
Tel: +52 55 5321 2300
Fax: +52 55 5310 4790

Germany

info@carlisleleft.eu
Tel: +49 (0) 6074 403 1
Fax: +49 (0) 6074 403 281

United Kingdom

info@carlisleleft.eu
Tel: +44 (0)1202 571 111
Fax: +44 (0)1202 573 488

Japan

overseas-sales@carlisleleft.co.jp
Tel: +81 45 785 6421
Fax: +81 45 785 6517

Australia

sales@carlisleleft.com.au
Tel: +61 (0) 2 8525 7555
Fax: +61 (0) 2 8525 7575

China

mkt@carlisleleft.com.cn
Tel: +8621-3373 0108
Fax: +8621-3373 0308

Brazil

vendas@carlisleleft.com.br
Tel: +55 11 5641 2776
Fax: +55 11 5641 1256

For the latest information about our products, visit www.carlisleleft.com.