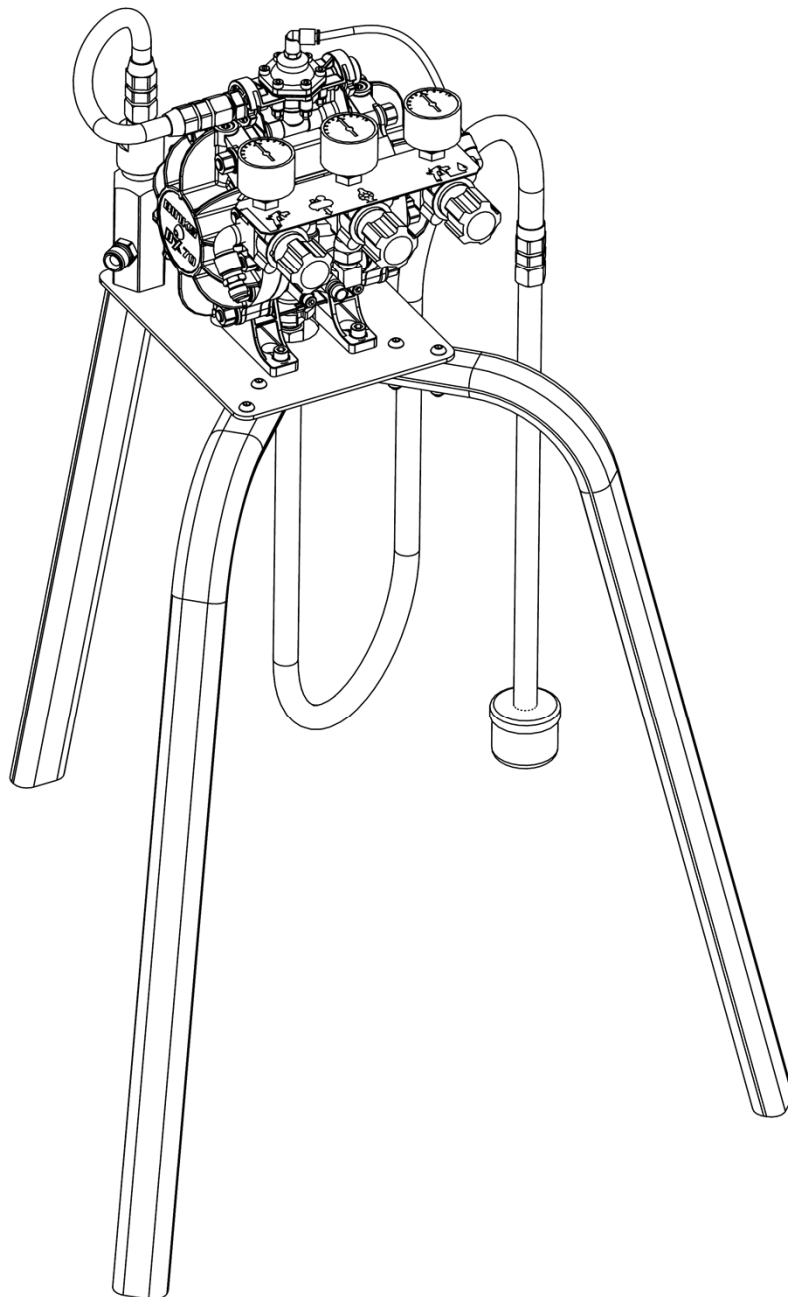




## DX70 Pump Packages



<b>Product Description</b>	Diaphragm Pumps - DX70 Bare pump and packages
<b>This Product is designed for use with:</b>	Solvent and Water based Materials
<b>Suitable for use in hazardous area:</b>	Zone 1 & 2
<b>Protection Level:</b>	II 2 G X IIB T4 (NB 0891)
<b>Manufacturer:</b>	Binks, Ringwood Road, Bournemouth, BH11 9LH. UK

## EU Declaration of Conformity



**We: Binks declare that the above product conforms with the Provisions of:**

Machinery Directive 2006/42/EC

ATEX Directive 94/9/EC

**by complying with the following statutory documents and harmonized standards:**

EN ISO 12100: Safety of Machinery - General Principles for Design

EN ISO 4413: Hydraulic Fluid Power - General Rules and safety requirements

EN ISO 4414: Pneumatic Fluid Power - General Rules and safety requirements

EN 12621: Machinery for the supply and circulation of coating materials under pressure - Safety requirements

EN1127-1: Explosive atmospheres - Explosion prevention - Basic concepts

EN 13463-1: Non electrical equipment for use in potentially explosive atmospheres - Basic methods and requirements

EN 13463-5: Non electrical equipment for use in potentially explosive atmospheres - Protection by constructional safety

Providing all conditions of safe use stated within the product manuals have been complied with and that the final equipment into which this product is installed has been re-assessed as required, in accordance with essential health and safety requirements of the above standards, directives and statutory instruments and also installed in accordance with any applicable local codes of practice.

D Smith (General Manager)

1/4/13

⚠ WARNING	⚠ CAUTION	NOTE
Hazards or unsafe practices which could result in severe personal injury, death or substantial property damage.	Hazards or unsafe practices which could result in minor personal injury, product or property damage	Important installation, operation or maintenance information.

**⚠ WARNING**

Read the following warnings before using this equipment.



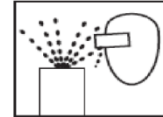
**READ THE MANUAL.** Before operating finishing equipment, read and understand all safety, operation and maintenance information provided in the operation manual.



**AUTOMATIC EQUIPMENT.** Automatic equipment may start suddenly without warning.



**WEAR SAFETY GLASSES.** Failure to wear safety glasses with side shields could result in serious eye injury or blindness.



**PROJECTILE HAZARD.** You may be injured by venting liquids or gases that are released under pressure, or flying debris.



**DE-ENERGIZE, DE-PRESSURISE, DISCONNECT AND LOCK OUT ALL POWER SOURCES DURING MAINTENANCE.** Failure to de-energize, disconnect and lock out all power supplies before performing equipment maintenance could cause serious injury or death.



**KNOW WHERE AND HOW TO SHUT OFF THE EQUIPMENT IN CASE OF AN EMERGENCY.**



**NOISE LEVELS.** The A-weighted sound level of pumping and spray equipment may exceed 85 dB(A) depending on equipment settings. Actual noise levels are available on request. It is recommended that ear protection is worn at all times while equipment is in use.



**PRESSURE RELIEF PROCEDURE.** Always follow the pressure relief procedure in the equipment instruction manual.



**INSPECT THE EQUIPMENT DAILY.** Inspect the equipment for worn or broken parts on a daily basis. Do not operate the equipment if you are uncertain about its condition.



**OPERATOR TRAINING.** All personnel must be trained before operating finishing equipment.



**EQUIPMENT MISUSE HAZARD.** Equipment misuse can cause the equipment to rupture, malfunction or start unexpectedly and result in serious injury.



**PACEMAKER WARNING.** You are in the presence of magnetic fields which may interfere with the operation of certain pacemakers.



**HIGH PRESSURE CONSIDERATION.** High pressure can cause serious injury. Relieve all pressure before servicing. Spray from the gun, hose leaks or ruptured components can inject fluid into your body and cause extremely serious injury.



**KEEP EQUIPMENT GUARDS IN PLACE.** Do not operate the equipment if the safety devices have been removed.



**STATIC CHARGE.** Fluid may develop a static charge that must be dissipated through proper grounding of the equipment, objects to be sprayed and all other electrically conductive objects in the dispensing area. Improper grounding or sparks can cause a hazardous condition and result in fire, explosion or electric shock and other serious injury.



**NEVER MODIFY THE EQUIPMENT.** Do not modify the equipment unless the manufacturer provides written approval.



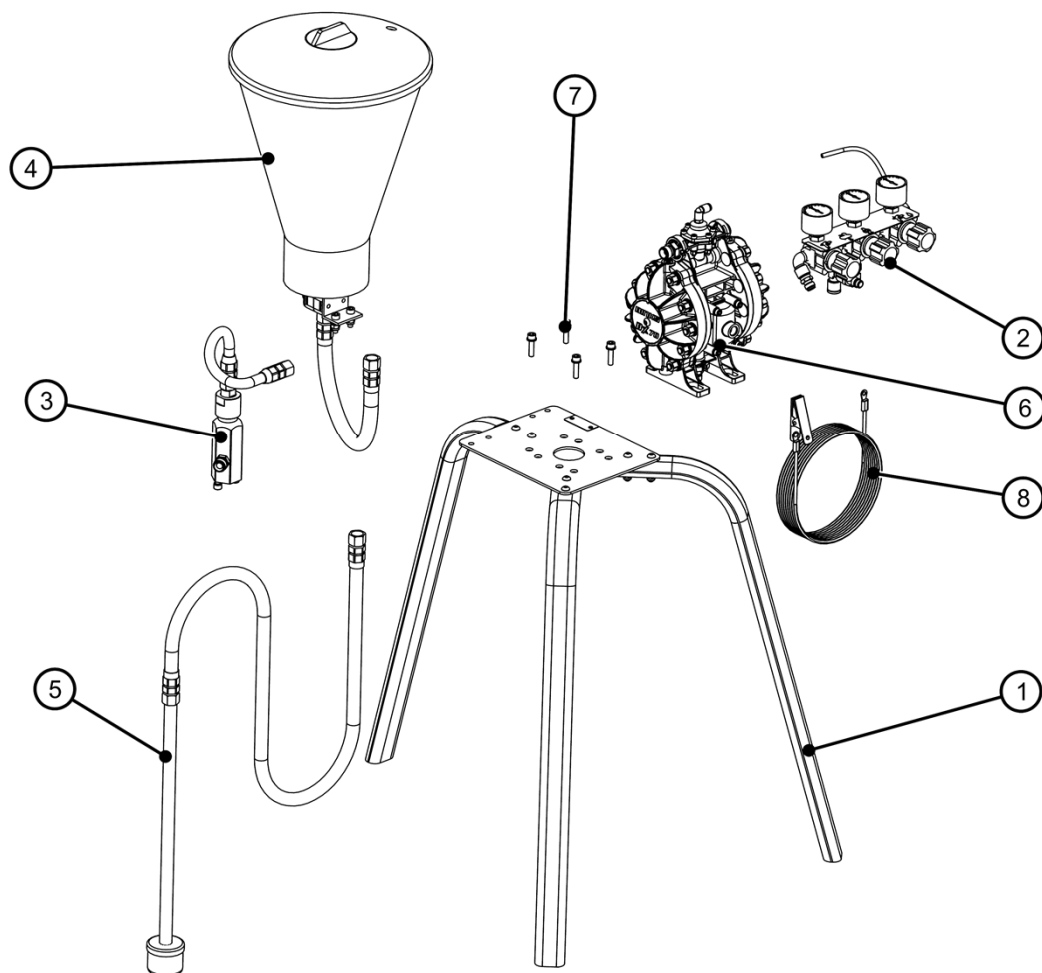
**PROP 65 WARNING.** WARNING: This product contains chemicals known to the state of California to cause cancer and birth defects or other reproductive harm.



**PINCH POINT HAZARD.** Moving parts can crush and cut. Pinch points are any areas where there are moving parts.

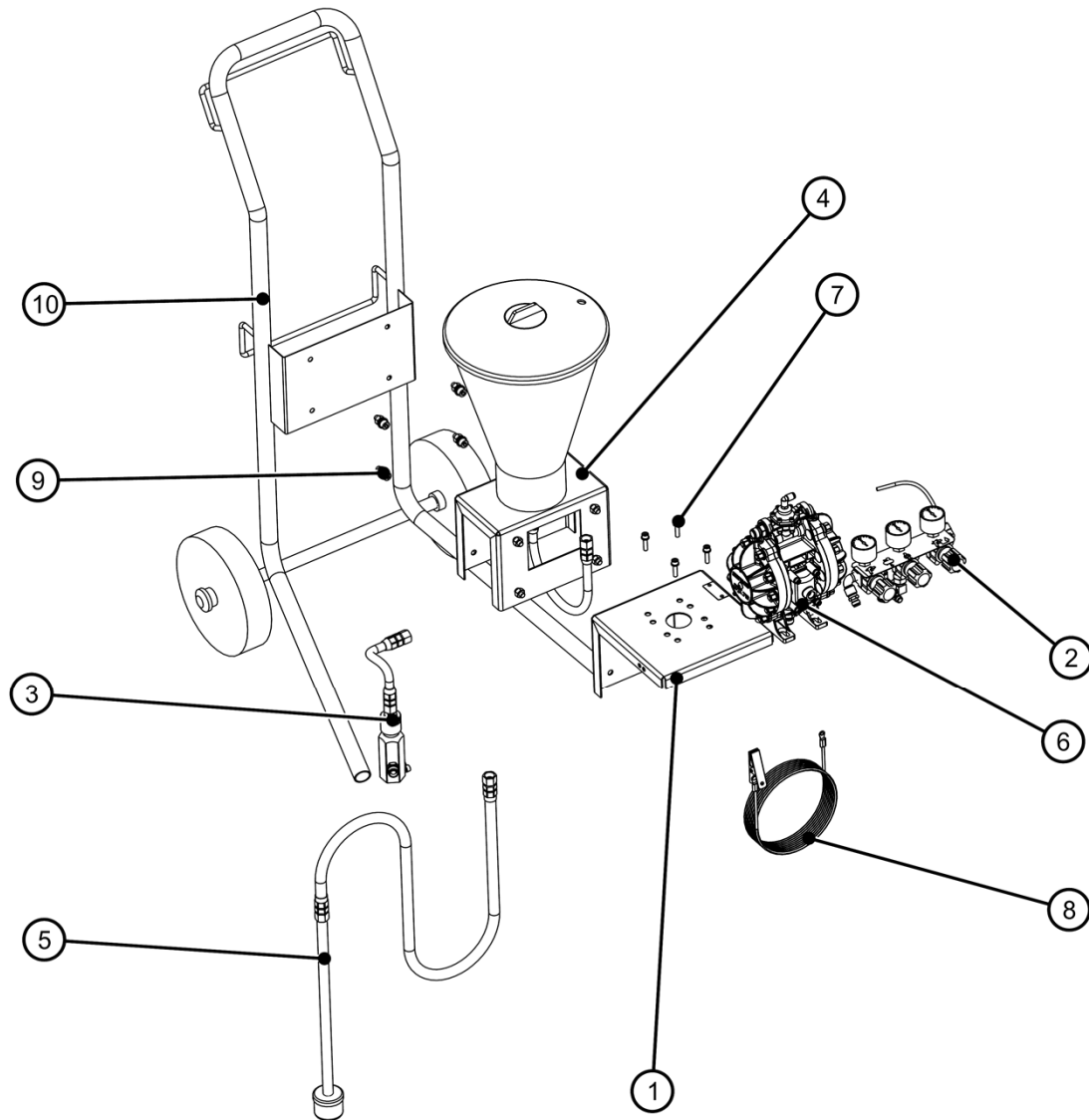
**IT IS THE RESPONSIBILITY OF THE EMPLOYER TO PROVIDE THIS INFORMATION TO THE OPERATOR OF THE EQUIPMENT.**

## Tripod Mounted Pumps



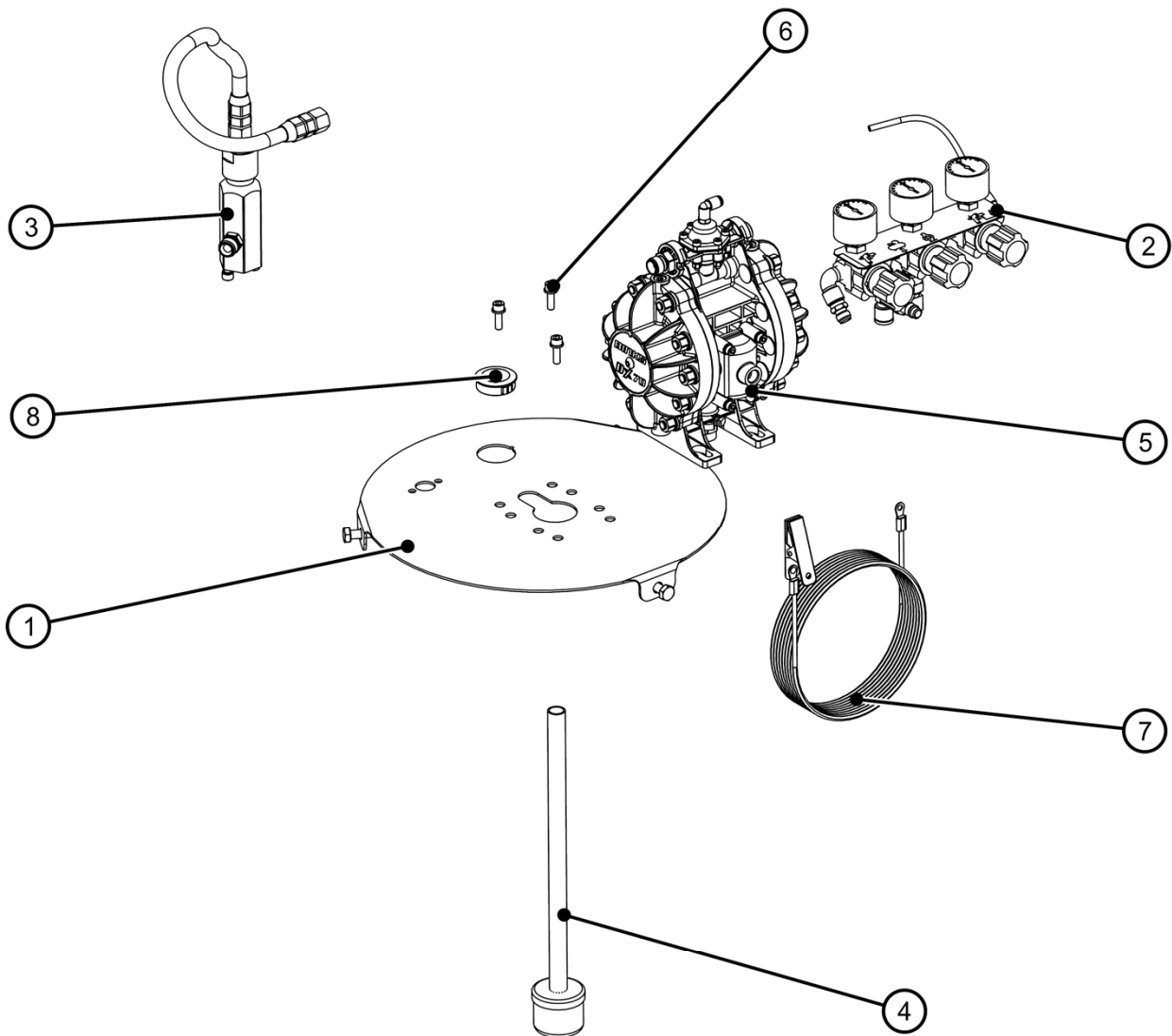
Item	Part number	Description	See figure
1	DXA-T	DX tripod assembly	F1
2	DXA-AC#	Air controls	F2
3	DXA-F10ME100	Filter assembly	F3
4	DXA-TG	Tripod gravity mount Kit	F4
5	DXA-S25ME15	Suction hose	F5
6	DX70#-##	Bare pump	-
7	DXK-100	Screw kit	-
8	0114-011798	Grounding cable 4m	-

## Cart & Wall Mounted Pumps

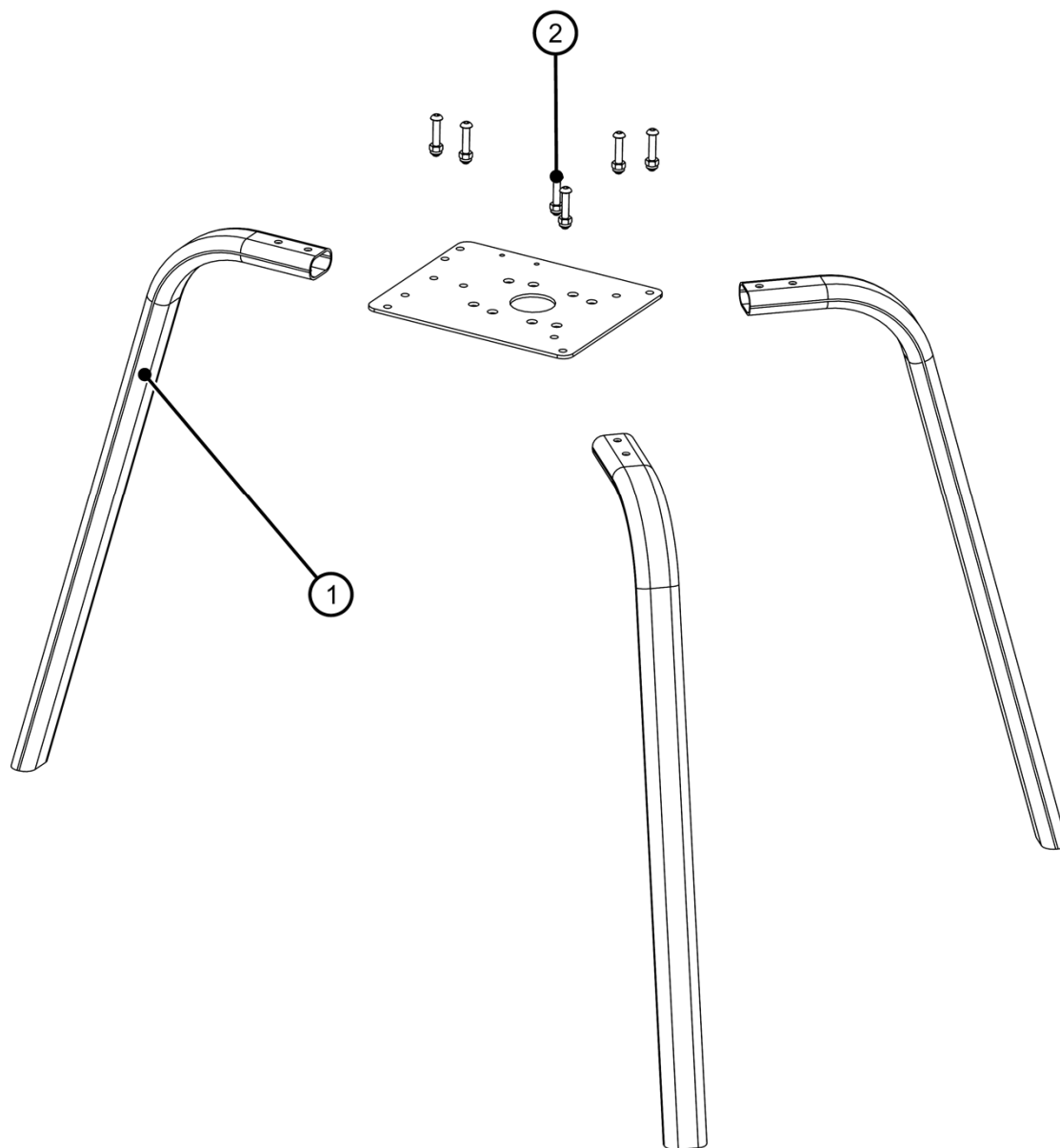


Item	Part number	Description	See figure
1	DVX-101	Wall bracket	-
2	DXA-AC#	Air controls	F2
3	DXA-F10ME100	Filter assembly	F3
4	DXA-WG	Cart gravity feed kit	F6
5	DXA-S25ME15	Suction hose	F5
6	DX70#-##	Bare pump	-
7	DXK-100	Screw kit	-
8	0114-011798	Grounding cable 4m	-
9	DXK-101	Screw kit	-
10	0115-010186	Cart	-

## Pail Mounted Pumps

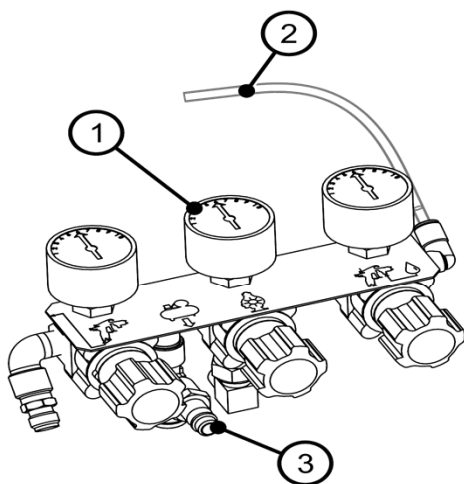


Item	Part number	Description	See figure
1	DVX-116	Pail Lid	-
2	DXA-AC#	Air controls	F2
3	DXA-F10ME100	Filter assembly	F3
4	DXA-P25ME15	Pail Suction Tube	F7
5	DX70#-##	Bare pump	-
6	DXK-100	Screw kit	-
7	0114-011798	Grounding cable 4m	-
8	0115-010337	Blanking Plug	-

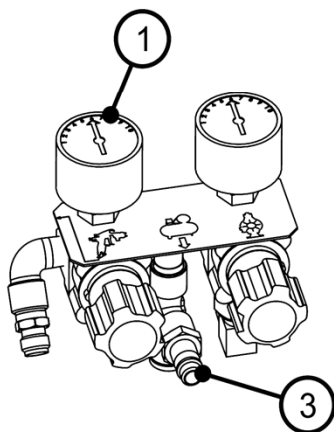
**Reference figures****F1  
DXA-T**

Item	Part number	Description
1	0115-010210	Tripod leg
2	DXK-102	Fixing kit

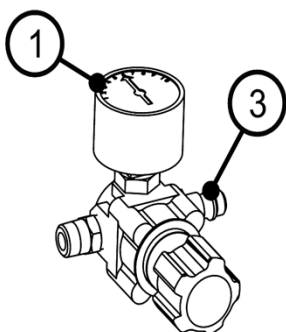
**F2  
DXA-AC3**



**F2  
DXA-AC2**



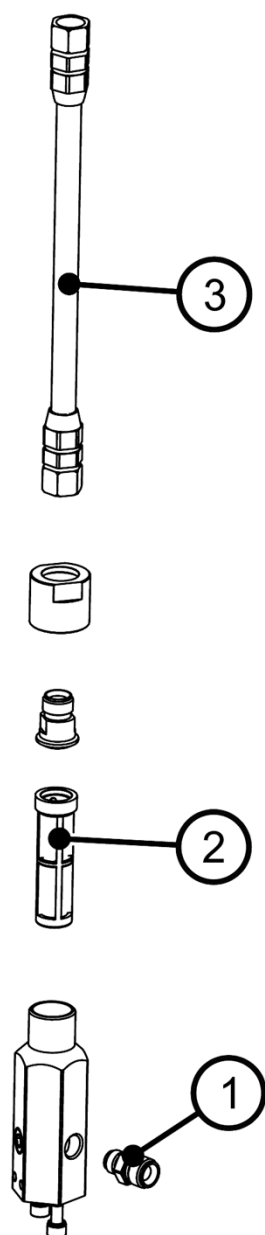
**F2  
DXA-AC1**



Item	Part number	Description
1	GA-382-P	Pressure gauge
2	S-1817	Ø4 (5/32") air tube
3	MPV-10	QD stem 1/4" female

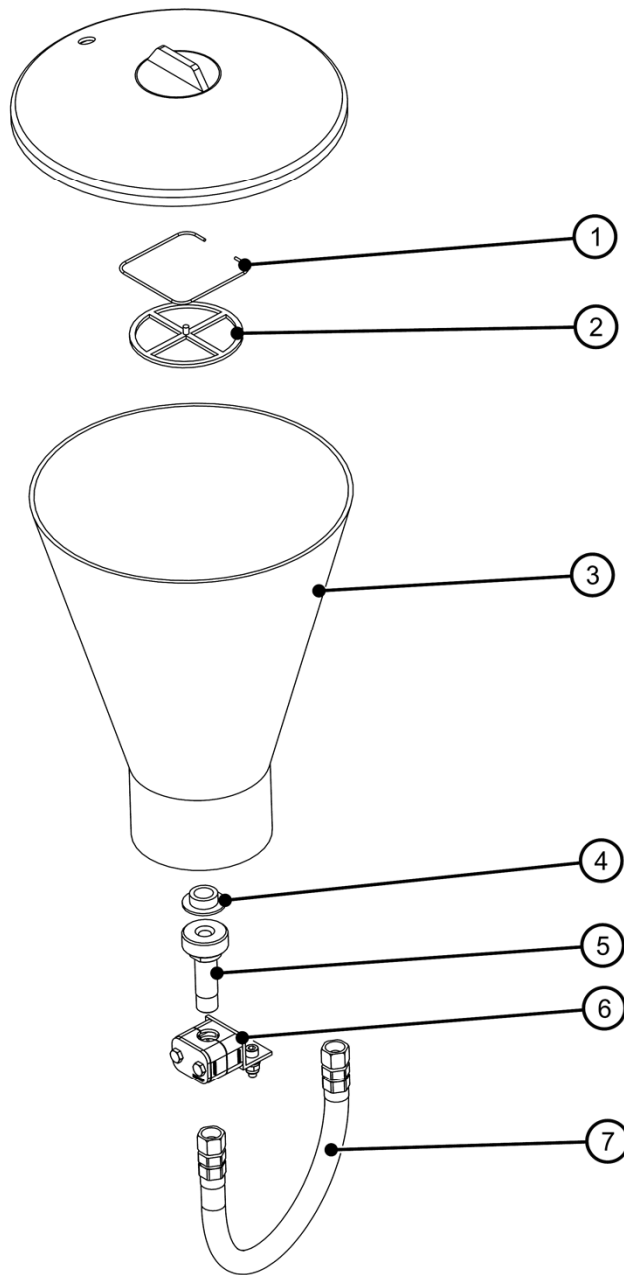


**F3**  
**DXA-F10ME100**

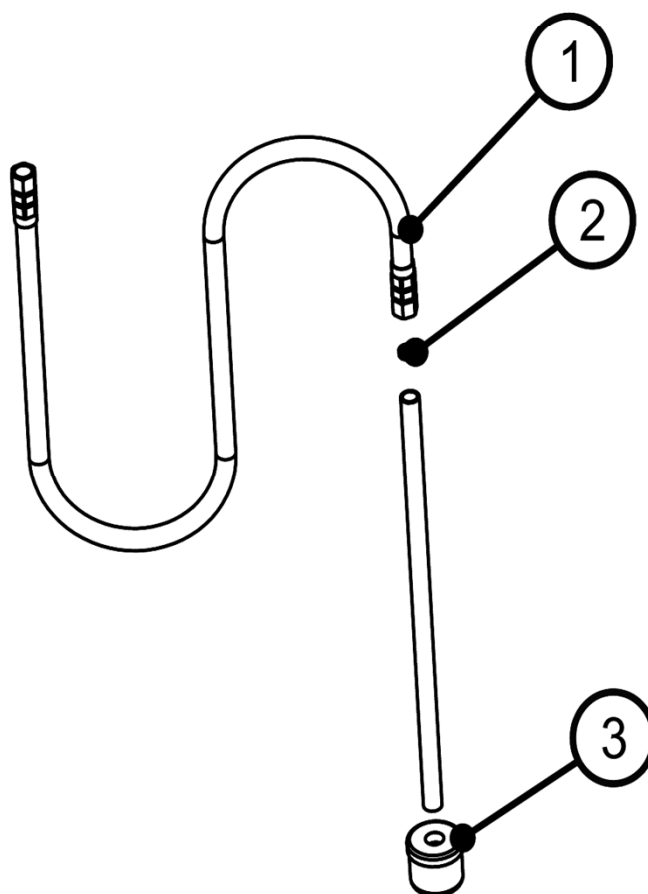


Item	Part number	Description
1	0114-016021	3/8" x 1/4" universal (BSPP/NPSM) nipple
2.1	VS-58	Filter 150 µm/100 mesh
2.2	VS-58-60	Filter 250 µm/60 mesh
3	DVX-100	Filter feed hose

**F4**  
**DXA-TG**

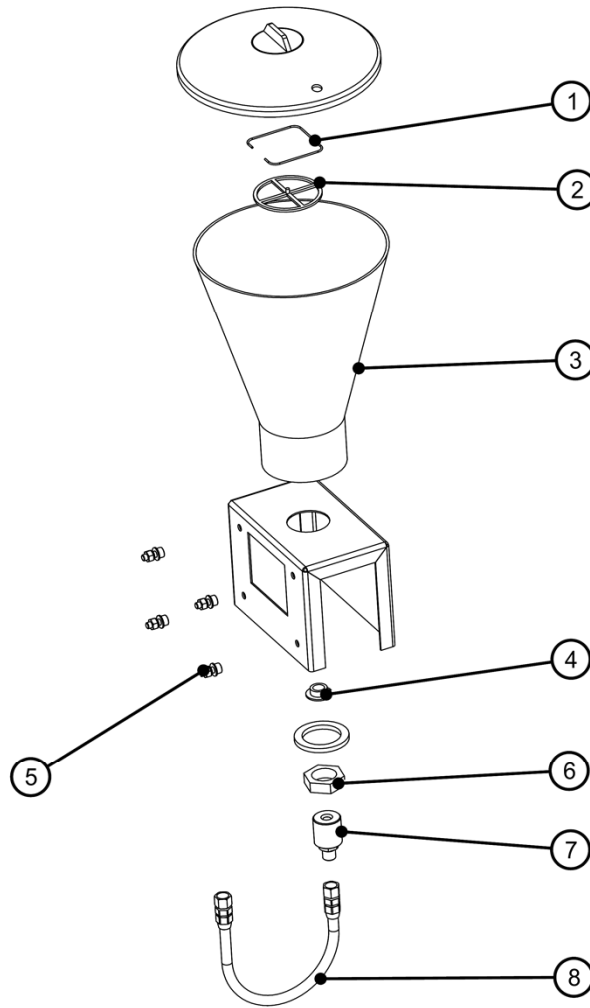


Item	Part number	Description
1	00-00-0002148	Tension ring
2	00-00-0002147	Filter
3	ZZ-2571	6L (1.6 US Gal) hopper
4	ZZ-2587	PTFE Seal
5	DVX-93	Adapter
6	DXK-103	Clamp kit
7	DVX-125	Suction hose

**F5**  
**DXA-S25ME15**

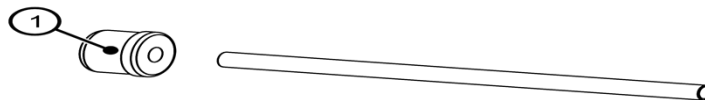
Item	Part number	Description
1	DVX-86	Suction hose
2	DXK-104	Seal - pack of 4
3	DVX-89	Strainer 1300µm/15 mesh

**F6  
DXA-WG**



Item	Part number	Description
1	00-00-0002148	Tension ring
2	00-00-0002147	Strainer
3	ZZ-2571	6L (1.6 US Gal) hopper
4	ZZ-2587	PTFE Seal
5	DXK-101	Fixings
6	DVX-99	Locknut
7	DVX-96	Adapter
8	DVX-125	Suction hose

**F7  
DXA-P25ME15**

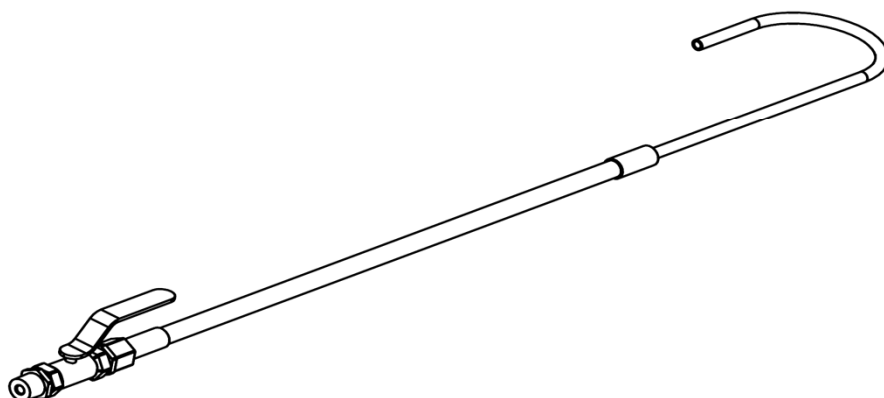


Item	Part number	Description
1	DVX-89	Strainer 1300µm/15 mesh

## Accessories

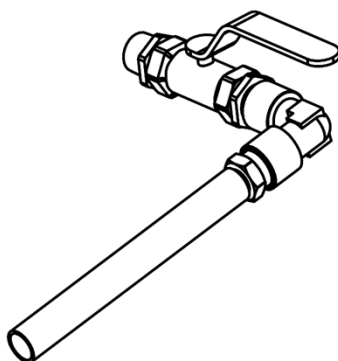
### **DXA-DVG**

Dump valve kit for gravity feed



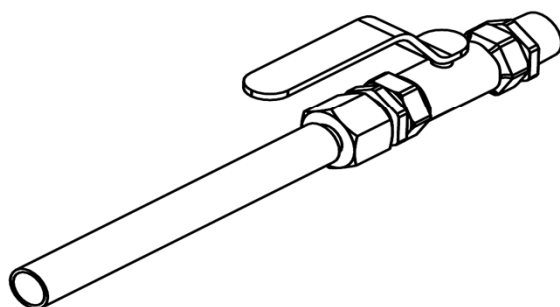
### **DXA-DVT**

Dump valve kit for tripod & pail



### **DXA-DVW**

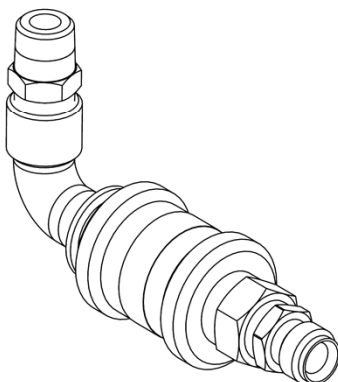
Dump valve kit for wall/cart



## Accessories

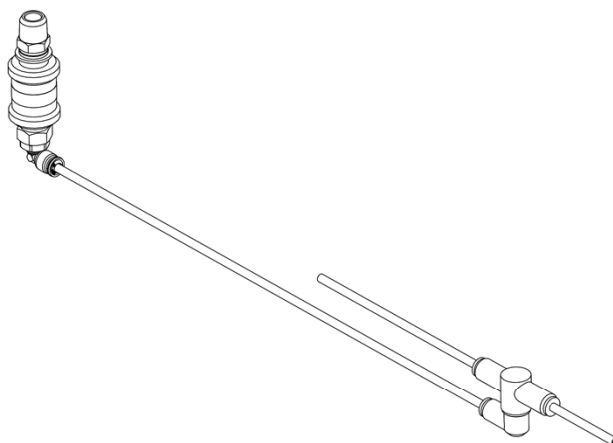
### **DXA-AAV**

Agitator air supply



### **DXA-FPV**

Fluid regulator maximum pressure supply



**Package - part numbers**

**DX70 R 3 - C F G**

**REGULATOR TYPE**

<b>R</b>	FLUID REGULATOR
<b>N</b>	NO FLUID REGULATOR

**AIR REGULATORS**

<b>1</b>	1 REGULATOR
<b>2</b>	2 REGULATORS
<b>3</b>	3 REGULATORS

**MOUNTING TYPE**

<b>C</b>	CART
<b>W</b>	WALL
<b>T</b>	TRIPOD
<b>P</b>	PAIL

**OPTIONS**

<b>-</b>	NO OPTION
<b>G</b>	GRAVITY FEED
<b>A</b>	AGITATOR

**FILTER**

<b>-</b>	NO FILTER
<b>F</b>	FILTER

## WARRANTY POLICY

Binks products are covered by Finishing Brands one year materials and workmanship limited warranty. The use of any parts or accessories, from a source other than Finishing Brands, will void all warranties. For specific warranty information please contact the closest Finishing Brands location listed below.

Finishing Brands reserves the right to modify equipment specifications without prior notice.  
DeVilbiss, Ransburg, BGK, and Binks are registered trademarks of Finishing Brands.  
© 2013 Finishing Brands. All rights reserved.



Binks is part of Finishing Brands, a global leader in innovative spray finishing technologies. For technical assistance or to locate an authorized distributor, contact one of our international sales and customer support locations below.

### USA/Canada

www.binks.com  
info@finishingbrands.com  
Toll Free Tel: 1-800-992-4657  
Toll Free Fax: 1-888-246-5732

### Mexico

www.finishingbrands.com.mx  
sales@finishingbrands.com.mx  
Tel: 011 52 55 5321 2300  
Fax: 011 52 55 5310 4790

### Brazil

www.devilbiss.com.br  
sales@devilbiss.com.br  
Tel: +55 11 5641 2776  
Fax: +55 11 5641 1256

### United Kingdom

www.finishingbrands.eu  
info@finishingbrands.eu  
Tel: +44 (0)1202 571 111  
Fax: +44 (0)1202 573 488

### France

www.finishingbrands.eu  
info@finishingbrands.eu  
Tel: +33(0)475 75 27 00  
Fax: +33(0)475 75 27 59

### Germany

www.finishingbrands.eu  
info@finishingbrands.eu  
Tel: +49 (0) 6074 403 1  
Fax: +49 (0) 6074 403 281

### China

www.finishingbrands.com.cn  
mkt@finishingbrands.com.cn  
Tel: +8621-3373 0108  
Fax: +8621-3373 0308

### Japan

www.ransburg.co.jp  
binks-devilbiss@ransburg.co.jp  
Tel: 081 45 785 6421  
Fax: 081 45 785 6517

### Australia

www.finishingbrands.com.au  
sales@finishingbrands.com.au  
Tel: +61 (0) 2 8525 7555  
Fax: +61 (0) 2 8525 7575

