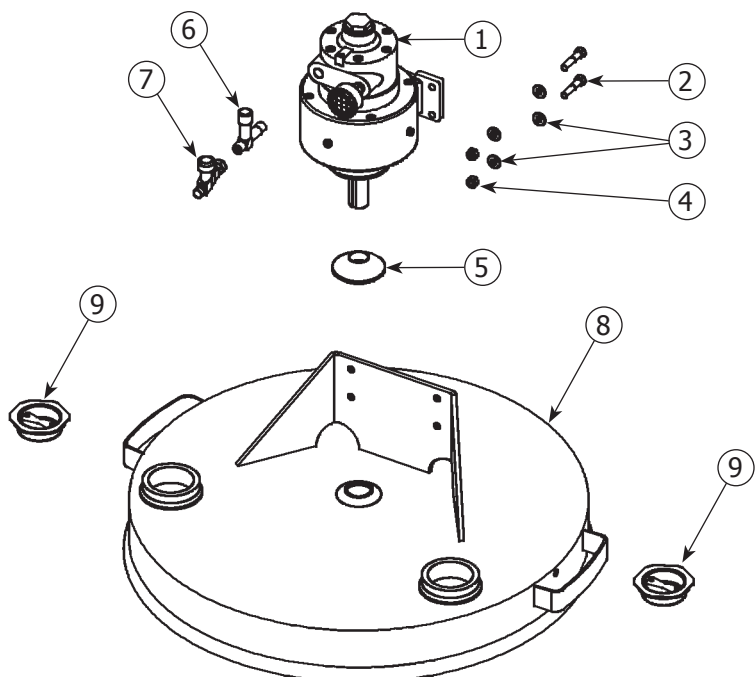


BINKS UNIMIXER ASSEMBLIES

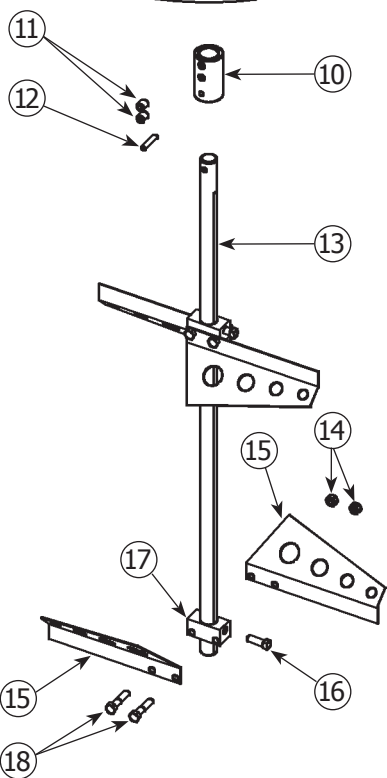
Model 202-55-2 (2 Paddle)

Model 202-55-4 (4 Paddle)



⚠ WARNING
Disconnect air supply from the agitator before attempting any service or maintenance.

⚠ WARNING
ENTANGLEMENT HAZARD!
Keep clear of paddles during operation. Paddles are rotating and have sharp edges.



PARTS LIST

When ordering, please specify Part No.

| ITEM NO. | PART NO. | DESCRIPTION | QTY. 202-55-2 | QTY. 202-55-4 |
|----------|-------------|------------------------------|---------------|---------------|
| 1 | 207-12323▲ | GEARMOTOR ASSEMBLY..... | 1 | 1 |
| 2 | 20-592-1 | HEX HEAD CAP SCREW..... | 4 | 4 |
| 3 | 20-264-1 | FLAT WASHER..... | 8 | 8 |
| 4 | 237-205 | LOCK NUT..... | 4 | 4 |
| 5 | 207-12245 | SHIELD..... | 1 | 1 |
| 6 | 207-10858 | OILER ASSEMBLY..... | 1 | 1 |
| 7 | HAV-500 | AIR ADJUSTING VALVE..... | 1 | 1 |
| 8 | 207-12322 | DRUM LID ASSEMBLY..... | 1 | 1 |
| 9 | 237-879 | BUNG PLUG..... | 2 | 2 |
| 10 | 207-12232 | ADAPTER..... | 1 | 1 |
| 11 | 207-12320 | COUPLING SCREW..... | 2 | 2 |
| 12 | 237-881 | SPIRAL PIN..... | 1 | 1 |
| 13 | 207-12237 | SHAFT..... | 1 | 1 |
| 14 | 20-2079 | HEX NUT..... | 4 | 8 |
| 15 | 207-12238 | S.S. PADDLE W/HOLE..... | 4 | 8 |
| 16 | 20-1741 | SQUARE HEAD SCREW..... | 2 | 4 |
| 17 | 83-2132 | S.S. PADDLE BLOCK..... | 2 | 4 |
| 18 | 20-2077 | HEX HEAD CAP SCREW..... | 4 | 8 |
| | 19 41-15895 | 1" BUNGHOLE ADAPTER KIT..... | 1 | 1 |
| | | (NOT SHOWN) | | |

▲ 237-913 Rebuild Kit is available for the 207-12323 assembly.

In this part sheet, the words **WARNING**, **CAUTION** and **NOTE** are used to emphasize important safety information as follows:

WARNING

Hazards or unsafe practices which could result in severe personal injury, death or substantial property damage.

CAUTION

Hazards or unsafe practices which could result in minor personal injury, product or property damage.

NOTE

Important installation, operation or maintenance information.

WARNING

Read the following warnings before using this equipment.



READ THE MANUAL

Before operating finishing equipment, read and understand all safety, operation and maintenance information provided in the operation manual.



OPERATOR TRAINING

All personnel must be trained before operating finishing equipment.



EQUIPMENT MISUSE HAZARD

Equipment misuse can cause the equipment to rupture, malfunction, or start unexpectedly and result in serious injury.



LOCK OUT / TAG-OUT

Failure to de-energize, disconnect, lock out and tag-out all power sources before performing equipment maintenance could cause serious injury or death.



AUTOMATIC EQUIPMENT

Automatic equipment may start suddenly without warning.



PRESSURE RELIEF PROCEDURE

Always follow the pressure relief procedure in the equipment instruction manual.



KEEP EQUIPMENT GUARDS IN PLACE

Do not operate the equipment if the safety devices have been removed.



KNOW WHERE AND HOW TO SHUT OFF THE EQUIPMENT IN CASE OF AN EMERGENCY



WEAR SAFETY GLASSES

Failure to wear safety glasses with side shields could result in serious eye injury or blindness.



INSPECT THE EQUIPMENT DAILY

Inspect the equipment for worn or broken parts on a daily basis. Do not operate the equipment if you are uncertain about its condition.



NEVER MODIFY THE EQUIPMENT

Do not modify the equipment unless the manufacturer provides written approval.



NOISE HAZARD

You may be injured by loud noise. Hearing protection may be required when using this equipment.



PROJECTILE HAZARD

You may be injured by venting liquids or gases that are released under pressure, or flying debris.



PINCH POINT HAZARD

Moving parts can crush and cut. Pinch points are basically any areas where there are moving parts.



STATIC CHARGE

Fluid may develop a static charge that must be dissipated through proper grounding of the equipment, objects to be sprayed and all other electrically conductive objects in the dispensing area. Improper grounding or sparks can cause a hazardous condition and result in fire, explosion or electric shock and other serious injury.



WEAR RESPIRATOR

Toxic fumes can cause serious injury or death if inhaled. Wear a respirator as recommended by the fluid and solvent manufacturer's Safety Data Sheet.



TOXIC FLUID & FUMES

Hazardous fluid or toxic fumes can cause serious injury or death if splashed in the eyes or on the skin, inhaled, injected or swallowed. LEARN and KNOW the specific hazards of the fluids you are using.



FIRE AND EXPLOSION HAZARD

Improper equipment grounding, poor ventilation, open flame or sparks can cause a hazardous condition and result in fire or explosion and serious injury.



MEDICAL ALERT

Any injury caused by high pressure liquid can be serious. If you are injured or even suspect an injury:

- Go to an emergency room immediately.
- Tell the doctor you suspect an injection injury.
- Show the doctor this medical information or the medical alert card provided with your airless spray equipment.
- Tell the doctor what kind of fluid you were spraying or dispensing.



GET IMMEDIATE MEDICAL ATTENTION

To prevent contact with the fluid, please note the following:

- Never point the gun/valve at anyone or any part of the body.
- Never put hand or fingers over the spray tip.
- Never attempt to stop or deflect fluid leaks with your hand, body, glove or rag.
- Always have the tip guard on the spray gun before spraying.
- Always ensure that the gun trigger safety operates before spraying.



PROP 65 WARNING

WARNING: This product contains chemicals known to the State of California to cause cancer and birth defects or other reproductive harm.

IT IS THE RESPONSIBILITY OF THE EMPLOYER TO PROVIDE THIS INFORMATION TO THE OPERATOR OF THE EQUIPMENT. FOR FURTHER SAFETY INFORMATION REGARDING THIS EQUIPMENT, SEE THE GENERAL EQUIPMENT SAFETY BOOKLET (77-5300).

Binks reserves the right to modify equipment specification without prior notice.

BINKS UNIMIXER ASSEMBLIES

SPEED:

The speed of the air motor is regulated by the Air Adjusting Valve (7). The ideal speed of the agitator shaft is 30 to 40 RPM. It should not run faster.

LUBRICATION, Air Motor:

Every day, add 4 to 5 drops of SAE No. 10 non-detergent oil (207-11155-1) into the oiler assembly (6) to lubricate the vanes and internal housing surfaces. The air motor bearings are pre-lubricated and sealed. They do not require additional lubrication.

LUBRICATION, Speed Reducer:

The planetary gear reducer is to be filled with gear oil, and must be inspected for the proper level (via the plugs in the housing, with the motor shaft parallel to the ground) at least once a month. Use a high grade gear oil lubricant such as Mobile No. 600 W, American Oil No. 140, or equivalent.

AIR SUPPLY:

The air used to operate this unit should come direct from a high pressure source; do not use air that has passed through a regulator. For best results, the air should be at 60 PSI, minimum, and should be cleaned and dried by passing it through an oil and water extractor.

WARRANTY POLICY

Binks products are covered by Carlisle Fluid Technologies one year materials and workmanship limited warranty. The use of any parts or accessories, from a source other than Carlisle Fluid Technologies, will void all warranties. For specific warranty information please contact the closest Carlisle Fluid Technologies location listed below.

Carlisle Fluid Technologies reserves the right to modify equipment specifications without prior notice. DeVilbiss®, Ransburg®, ms®, BGK®, and Binks® are registered trademarks of Carlisle Fluid Technologies, Inc.

©2017 Carlisle Fluid Technologies, Inc.
All rights reserved.

Binks is part of Carlisle Fluid Technologies, a global leader in innovative finishing technologies. For technical assistance or to locate an authorized distributor, contact one of our international sales and customer support locations.

USA/Canada

info@carlisleleft.com
Tel: 1-888-992-4657
Fax: 1-888-246-5732

China

mkt@carlisleleft.com.cn
Tel: +8621-3373 0108
Fax: +8621-3373 0308

Germany

info@carlisleleft.eu
Tel: +49 (0) 6074 403 1
Fax: +49 (0) 6074 403 281

United Kingdom

info@carlisleleft.eu
Tel: +44 (0)1202 571 111
Fax: +44 (0)1202 573 488

Mexico

ventas@carlisleleft.com.mx
Tel: +52 55 5321 2300
Fax: +52 55 5310 4790

Australia

sales@carlisleleft.com.au
Tel: +61 (0) 2 8525 7555
Fax: +61 (0) 2 8525 7575

Japan

overseas-sales@carlisleleft.co.jp
Tel: +81 45 785 6421
Fax: +81 45 785 6517

For the latest information about our products, visit www.carlisleleft.com.