

SRZ...HR



Ultra High Resolution Helical Gear Flow Meter with Integral Pickup

Ideal for highly filled and abrasive fluids, such as polyurethanes and polymers, glues and sealing materials, as well as heavy fuel oils.

Applications:

AW Flow Meters offers these specialized helical gear flow meters suitable for a variety of industrial applications, including:

- Sealant / Adhesive Dispensing Applications – Single and Multi-Component
- Paint Reclaim and Environmental Tracking
- Paint Circulation / Supply
- Paint Spray Operations-High Solids / Filled Materials
- Material Manufacturing – Monitoring / Batching
- RIM Applications

Benefits:

AFFORDABLE AND ACCURATE

This meter has the ability to maintain consistent accuracy despite changing viscosity conditions, with accuracy of $\pm 0.5\%$ of reading.

RUGGED CONSTRUCTION / HIGH PRESSURE

The SRZ's solid meter construction is made of 303 stainless steel with tungsten carbide bearings for corrosion resistance and durability. Optional hard-coat gear offerings available.

FLEXIBLE

May be used with a wide range of materials and viscosities with a low pressure drop than conventional meters and wide flow range/size selection. Models now offered in both NPT and BSPP threaded ports.

PROVEN RELIABILITY & PERFORMANCE

With a proven industry record for reliable meter life and electronics, these meters now offered in a low profile design with integrated sensor technology.

Meter Data:

Meter Size	Range* (gal/min)	Nominal K-Factor**	Ports (NPT or BSPP)	Filtration (micron)	Frequency Range (Hz)	Pressure Rating
SRZ-40ST.HR.T-xx	0.01 - 2	124,900 pulses/gal 33 pulses/cc	3/4"	200	20 - 4,200	6,000 psi

xx= B1 for NPT port thread, B2 for BSPP port thread

* Operation down to 0.01 gpm with reduced accuracy.

** A calibration sheet accompanies every meter sold with specific K-factor.



Technical Specifications:

- **Linear range:** 0.1 to 2.0 gpm*
- **Accuracy:** $\pm 0.5\%$ of reading with fluid viscosities $>30\text{cP}$
- **Working pressure:** up to 6,000 psi
- **Max Fluid Temperature:** Depends on sensor used, refer to sensor technical guide
- **Low pressure loss**
- **High resolution**

Materials of Construction:

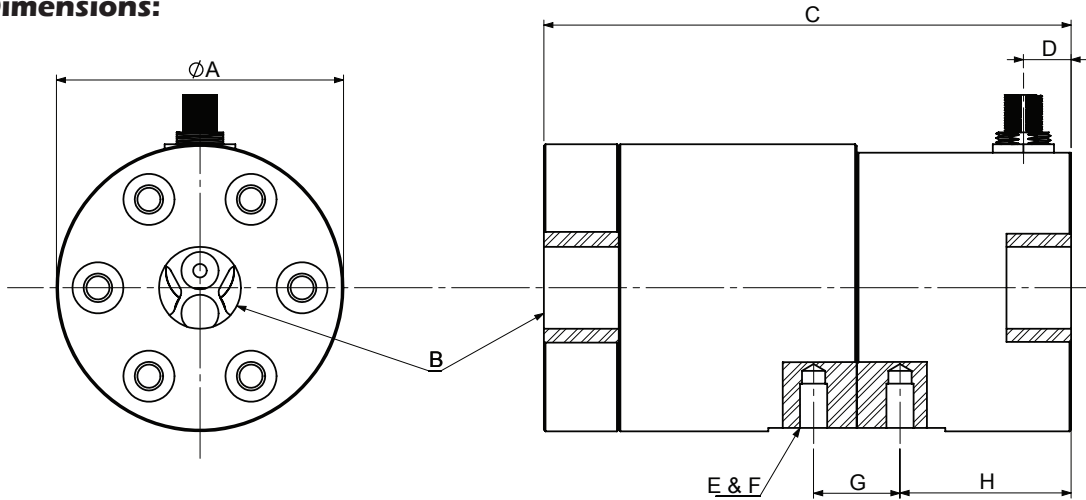
- **Body:** 303 Stainless Steel
- **Internals:** Stainless Steel DIN 1.4122
Tungsten Carbide
303 Stainless Steel
316 Stainless Steel
- **Seals:** PTFE standard (FKM also available)

SRZ...HR

Ultra High Resolution Helical Gear Flow Meter with Integral Pickup



Monitor Dimensions:

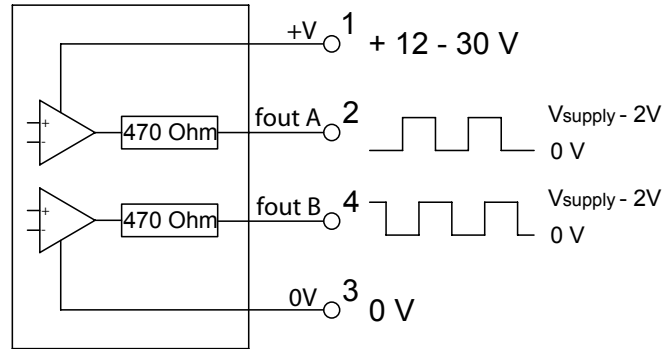


Meter Size	A	B (port size)	C	D	E (thread type)	F (thread depth)	G	H
SRZ-40ST.HR.T-xx	3.35"	3/4"	6.10"	0.55"	M8	0.51"	1.0"	1.98"

xx= B1 for NPT port thread, B2 for BSPP port thread

Electrical Data:

- Supply Voltage:** 12 up to 30 VDC
- Frequency Output:** Active push pull, square wave signal
I_{out} max. 20 mA
Duty cycle 50% nominal
- Electrical Connection:** Micro (M12)
1 = +Supply (12 up to 30 VDC)
2 = Output signal A
3 = 0V
4 = Output signal B
5 = n.c.



- Ingress Protection:** IP 67 when used with IP67 rated mating connector

Connector Pin-Out:



Note: Not for use with materials containing any ferromagnetic fillers or particles due to internal multi-pole magnet.

Products may be subject to change without notice - Contact factory for the most up-to-date product information.

Contact AW Gear Meters:

toll-free:
800-850-6110

fax:
262-884-9810

email:
awinfo@aw-lake.com

website:
www.awgarmeters.com