

SRZ...STAT



High Resolution Helical Gear Flow Meter with Integral Pickup

Ideal for highly filled and abrasive fluids, such as polyurethanes and polymers, glues and sealing materials, as well as heavy fuel oils.

Applications:

AW Gear Meters offers these specialized helical gear flow meters suitable for a variety of industrial applications, including:

- Sealant / Adhesive Dispensing Applications – Single and Multi-Component
- Paint Reclaim and Environmental Tracking
- Paint Circulation / Supply
- Paint Spray Operations-High Solids / Filled Materials
- Material Manufacturing – Monitoring / Batching
- RIM Applications

Benefits:

AFFORDABLE AND ACCURATE

This meter has the ability to maintain consistent accuracy despite changing viscosity conditions, with accuracy of $\pm 0.5\%$ of reading.

RUGGED CONSTRUCTION / HIGH PRESSURE

The SRZ's solid meter construction is made of 303 stainless steel with tungsten carbide bearings for corrosion resistance and durability. Optional hard-coat gear offerings available.

FLEXIBLE

May be used with a wide range of materials and viscosities with a low pressure drop than conventional meters and wide flow range/size selection. Models now offered in both NPT and BSPP threaded ports.

PROVEN RELIABILITY & PERFORMANCE

With a proven industry record for reliable meter life and electronics, these meters now offered in a low profile design with integrated sensor technology.

Meter Data:

Meter Size	Flow Range (gpm)	Nominal K-Factor* (pulses/gal)	Ports (NPT or BSPP)	Filtration (micron)	Frequency Range (Hz)	Pressure Rating
SRZ-40-STAT-xx	0.1 - 11	26,500	3/4"	200	45 - 4,600	6,000 psi
SRZ-100-STAT-xx	.25 - 26	6,400	1"	300	28 - 2,800	6,000 psi
SRZ-400-STAT-xx	1.0 - 105	1,600	1-1/2"	300	28 - 2,850	6,000 psi

xx= B1 for NPT port thread, B2 for BSPP port thread

* A calibration sheet accompanies every meter sold with specific K-factor. K-factors shown are pin 4 double frequency output value.



Technical Specifications:

- **Three flow ranges:** 0.1 to 105 gpm
- **Working pressure:** up to 6,000 psi
- **Accuracy:** $\pm 0.5\%$ of reading with fluid viscosities $>30\text{cP}$
- **Max Fluid Temperature:** Depends on sensor used, refer to sensor technical guide
- **Sizes from** $\frac{3}{4}$ " to $1\frac{1}{2}$ "
- **Low pressure loss**

Materials of Construction:

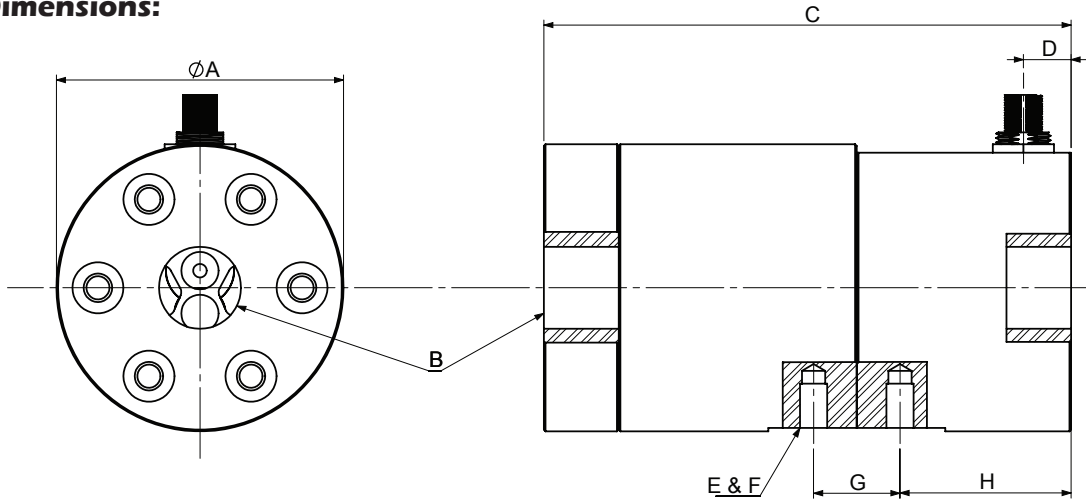
- **Body:** 303 Stainless Steel
- **Internals:**
 - Stainless Steel DIN 1.4122
 - Tungsten Carbide
 - 303 Stainless Steel
 - 316 Stainless Steel
- **Seals:** PTFE standard (FKM also available)

SRZ...STAT



High Resolution Helical Gear Flow Meter with Integral Pickup

Monitor Dimensions:



Meter Size	A	B (port size)	C	D	E (thread type)	F (thread depth)	G	H
SRZ-40-STAT-xx	3.35"	3/4"	6.10"	0.55"	M8	0.51"	1.0"	1.98"
SRZ-100-STAT-xx	4.33"	1"	8.70"	0.91"	M10	0.71"	1.73"	1.61"
SRZ-400-STAT-xx	5.28"	1-1/2"	12.52"	1.64"	n/a	n/a	n/a	n/a

xx= B1 for NPT port thread, B2 for BSPP port thread

Electrical Data:

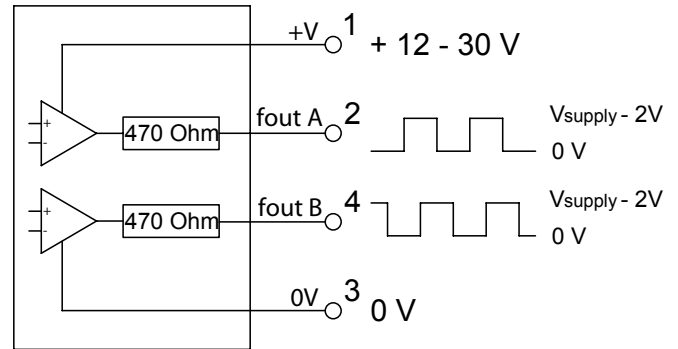
Supply Voltage: 12 up to 30 VDC

Frequency Output: Active push pull, square wave signal
I_{out} max. 20 mA
Duty cycle 50% nominal

Electrical Connection: Micro (M12)

- 1 = +Supply (12 up to 30 VDC)
- 2 = Output signal A
- 3 = 0V
- 4 = Output signal B
- 5 = n.c.

- All output signals are available simultaneously.
- Signals 2 and 5 are 90° phase-shifted.



Ingress Protection: IP 67 when used with IP67 rated mating connector

Connector Pin-Out:



Note: Not for use with materials containing any ferromagnetic fillers or particles due to internal multi-pole magnet.

Products may be subject to change without notice - Contact factory for the most up-to-date product information.

Contact AW Gear Meters:

toll-free:
800-850-6110

fax:
262-884-9810

email:
awinfo@aw-lake.com

website:
www.awgarmeters.com