

NEW!

**BINKS
MAG II**

MAG II HVLP Automatic Air Assist Airless Spray Guns

Use with a wide variety of coatings including UV



- **Full Size
Lightweight Gun**
- **Ideally Suited For
Multi-gun Finishing
Equipment**

- **Manifold Mount For
Quick Maintenance**
- **Provides High
Transfer Efficiency
HVLP Spray**



ADJUSTABLE SPRAY PATTERN • LARGE TIP SELECTION

New design provides a superior quality finish, and maximum efficiency

The unique Binks Air Assisted Airless tips and our new air caps, used on our popular handguns, are now available in the new MAG II HVLP Automatic Air Assist Airless Gun.

Three different tip options:

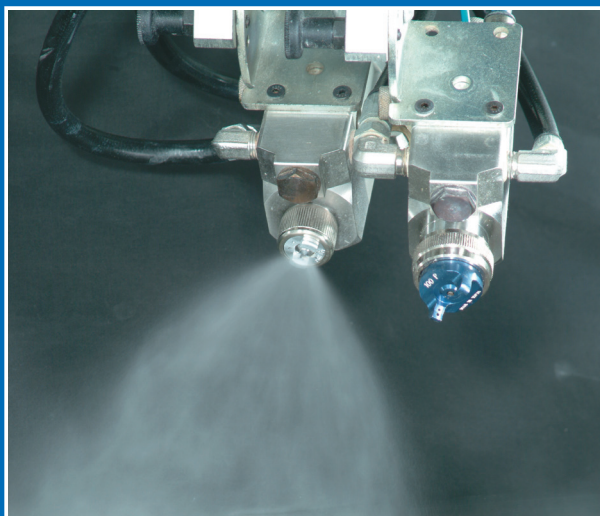
- **Flat Tip:** *Premium tips for a uniform pattern*
- **Fine Finish Tip:** *Pre-orifice for best particle distribution*
- **Twist Tip:** *Reduces downtime caused by tip clogs*

The fluid and air connections, as well as the in-line filter, are located in the manifold providing quick and easy removal of the gun for maintenance.



Time and Material Savings Benefits

- Integrated in-line fluid filter means there's no need to remove the gun body when changing filter elements
- Offered with flat tip or twist tip air caps
- Modular design for quick and easy replacement
- Superior transfer efficiency
- Reduced overspray
- Lower booth maintenance costs



Specifications

Maximum Air Pressure:
100 psi/6.8 bar

For Flat Tip & Twist Tip HVLP compliance:
15 psi inlet pressure delivers 10 psi air cap pressure at 8 cfm air volume

Maximum Fluid Pressure: 4000 psi/275 bar

Minimum/Maximum Cylinder Actuating Pressure:
50 psi/3.4 bar (min.), 100 psi/6.8 bar (max.)

Gun Body: Aluminum

Fluid Path: Wear resistant coating

Fluid Shut Off Type: Tungsten Carbide

Fluid Inlet and Outlet Size: ¼" NPT(f) Thread

Air Inlet Size:

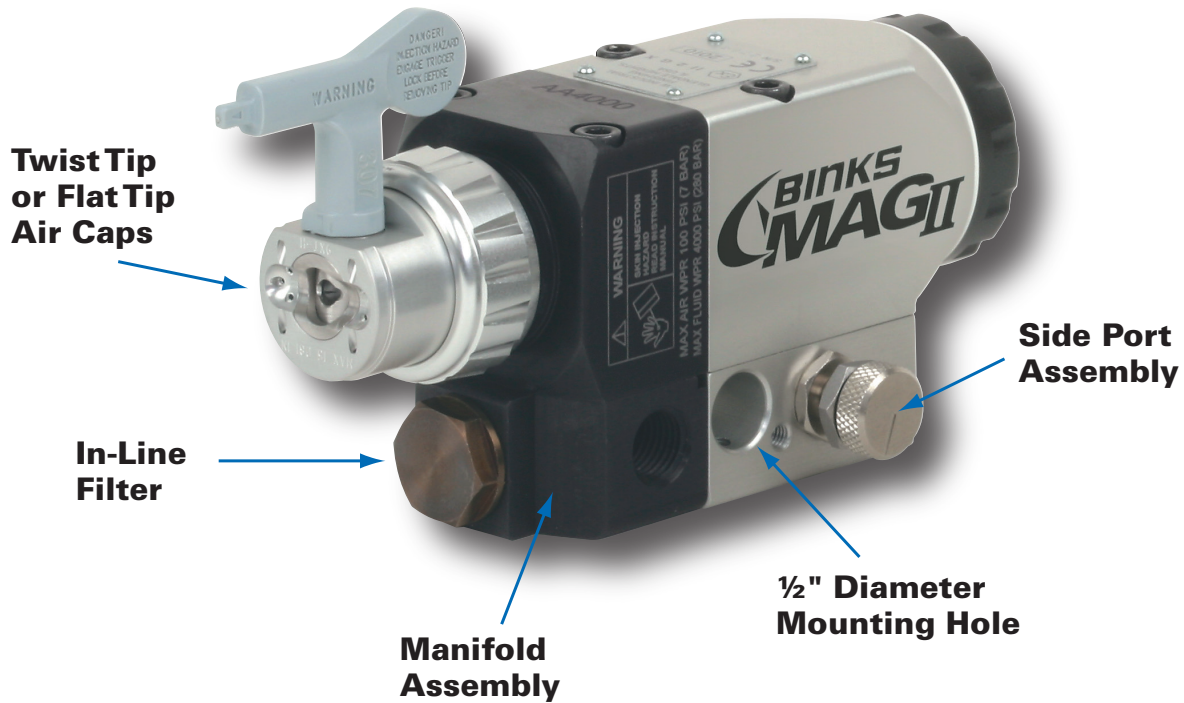
Atomizing Air: ¼" NPT(f) manifold body

Fan Air: ¼" NPT(f) manifold body

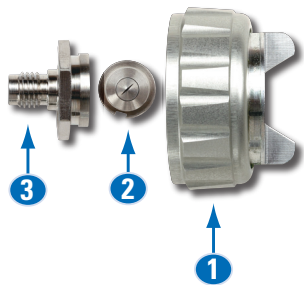
Cylinder Air: ⅛" NPT(f) manifold body

Gun Weight: 28.8 oz. (816g)

Gun Mounting Hole: ½" diameter (13 mm)

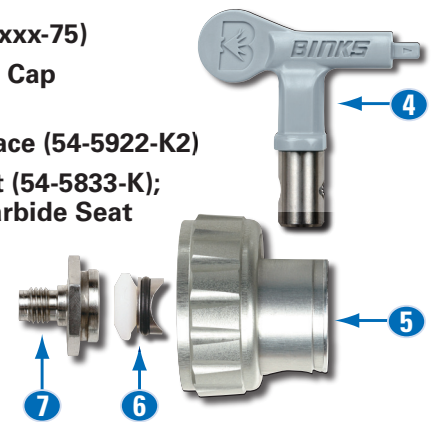


HVLP Flat / Fine Finish Tip Parts



1. Flat Tip Air Cap (54-5795-K)
2. Flat Tip (114-xxxx) or Fine Finish Tip (9-xxxx-F)
3. UHMW Seat (54-5811-K); Tungsten Carbide Seat (54-5799-K)

HVLP Twist Tip Parts

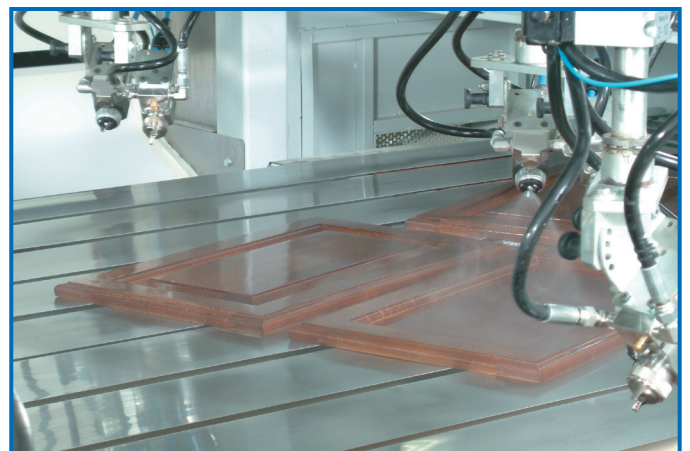


4. Twist Tip (9-xxx-75)
5. Twist Tip Air Cap (54-5924-K)
6. Twist Tip Brace (54-5922-K2)
7. UHMW Seat (54-5833-K); Tungsten Carbide Seat (54-5832-K)

BINKS MAG II

How to Order MAG II Guns

Part No.	Description
0511-MHFO	GUN, MANIFOLD, FLAT TIP
0511-OHFO	GUN, WITHOUT MANIFOLD, WITH FLAT TIP
0511-MHTO	GUN, MANIFOLD, WITH TWIST TIP
0511-OHTO	GUN, WITHOUT MANIFOLD, WITH TWIST TIP





Standard Flat Tip Selection



Our premium tips for a uniform pattern.

For additional parts, refer to service bulletins 77-2949.

Part No.	Description	Orifice	Fan Width (In.)	GPM Capacity @500 PSI Water
114-00702	TIP ASSEMBLY	.007	2	.028
114-00704	TIP ASSEMBLY	.007	4	.028
114-00706	TIP ASSEMBLY	.007	6	.028
114-00708	TIP ASSEMBLY	.007	8	.028
114-00902	TIP ASSEMBLY	.009	2	.039
114-00906	TIP ASSEMBLY	.009	6	.039
114-00908	TIP ASSEMBLY	.009	8	.039
114-00910	TIP ASSEMBLY	.009	10	.039
114-00912	TIP ASSEMBLY	.009	12	.039
114-01104	TIP ASSEMBLY	.011	4	.060
114-01106	TIP ASSEMBLY	.011	6	.060
114-01108	TIP ASSEMBLY	.011	8	.060
114-01110	TIP ASSEMBLY	.011	10	.060
114-01112	TIP ASSEMBLY	.011	12	.060
114-01114	TIP ASSEMBLY	.011	14	.060
114-01304	TIP ASSEMBLY	.013	4	.090
114-01306	TIP ASSEMBLY	.013	6	.090
114-01308	TIP ASSEMBLY	.013	8	.090
114-01310	TIP ASSEMBLY	.013	10	.090
114-01312	TIP ASSEMBLY	.013	12	.090

Part No.	Description	Orifice	Fan Width (In.)	GPM Capacity @500 PSI Water
114-01314	TIP ASSEMBLY	.013	14	.090
114-01316	TIP ASSEMBLY	.013	16	.090
114-01506	TIP ASSEMBLY	.015	6	.120
114-01508	TIP ASSEMBLY	.015	8	.120
114-01510	TIP ASSEMBLY	.015	10	.120
114-01512	TIP ASSEMBLY	.015	12	.120
114-01514	TIP ASSEMBLY	.015	14	.120
114-01516	TIP ASSEMBLY	.015	16	.120
114-01518	TIP ASSEMBLY	.015	18	.120
114-01706	TIP ASSEMBLY	.017	6	.160
114-01708	TIP ASSEMBLY	.017	8	.160
114-01710	TIP ASSEMBLY	.017	10	.160
114-01712	TIP ASSEMBLY	.017	12	.160
114-01714	TIP ASSEMBLY	.017	14	.160
114-01716	TIP ASSEMBLY	.017	16	.160
114-01718	TIP ASSEMBLY	.017	18	.160
114-01906	TIP ASSEMBLY	.019	6	.190
114-01908	TIP ASSEMBLY	.019	8	.190
114-01910	TIP ASSEMBLY	.019	10	.190
114-01912	TIP ASSEMBLY	.019	12	.190

Part No.	Description	Orifice	Fan Width (In.)	GPM Capacity @500 PSI Water
114-01914	TIP ASSEMBLY	.019	14	.190
114-01916	TIP ASSEMBLY	.019	16	.190
114-01918	TIP ASSEMBLY	.019	18	.190
114-02110	TIP ASSEMBLY	.021	10	.240
114-02112	TIP ASSEMBLY	.021	12	.240
114-02114	TIP ASSEMBLY	.021	14	.240
114-02116	TIP ASSEMBLY	.021	16	.240
114-02118	TIP ASSEMBLY	.021	18	.240
114-02410	TIP ASSEMBLY	.024	10	.310
114-02412	TIP ASSEMBLY	.024	12	.310
114-02414	TIP ASSEMBLY	.024	14	.310
114-02416	TIP ASSEMBLY	.024	16	.310
114-02418	TIP ASSEMBLY	.024	18	.310
114-02710	TIP ASSEMBLY	.027	10	.385
114-02712	TIP ASSEMBLY	.027	12	.385
114-02714	TIP ASSEMBLY	.027	14	.385
114-02716	TIP ASSEMBLY	.027	16	.385
114-02718	TIP ASSEMBLY	.027	18	.385

Fan width based on 1000 PSI with water 12" from surface. Actual results may vary, depending on material viscosity.

Fine Finish Flat Tip Selection



Includes a pre-orifice for the best particle distribution.

Part No.	Description	Orifice	Fan Width (In.)	GPM Capacity @500 PSI Water
9-0909-F	FINE FINISH TIP	.009	9	.039
9-0911-F	FINE FINISH TIP	.009	11	.039
9-1109-F	FINE FINISH TIP	.011	9	.060
9-1111-F	FINE FINISH TIP	.011	11	.060
9-1113-F	FINE FINISH TIP	.011	13	.060
9-1115-F	FINE FINISH TIP	.011	15	.060
9-1309-F	FINE FINISH TIP	.013	9	.090
9-1311-F	FINE FINISH TIP	.013	11	.090
9-1313-F	FINE FINISH TIP	.013	13	.090
9-1315-F	FINE FINISH TIP	.013	15	.090
9-1509-F	FINE FINISH TIP	.015	9	.120
9-1511-F	FINE FINISH TIP	.015	11	.120
9-1513-F	FINE FINISH TIP	.015	13	.120
9-1515-F	FINE FINISH TIP	.015	15	.120
9-1517-F	FINE FINISH TIP	.015	17	.120
9-1709-F	FINE FINISH TIP	.017	9	.160
9-1711-F	FINE FINISH TIP	.017	11	.160
9-1713-F	FINE FINISH TIP	.017	13	.160
9-1715-F	FINE FINISH TIP	.017	15	.160
9-1717-F	FINE FINISH TIP	.017	17	.160

Fan width based on 1000 PSI with water 12" from surface. Actual results may vary, depending on material viscosity.

Twist Tip Selection

When converting from flat tip to twist tip, increase pattern size by 2" and use air adjustment to turn down to original size.



Turns to remove clogs quickly & easily.

Part No.	Description	Orifice	Fan Width (In.)	GPM Capacity @2200 PSI
9-307-75	TWIST TIP	.007	6	.050
9-309-75	TWIST TIP	.009	6	.090
9-409-75	TWIST TIP	.009	8	.090
9-509-75	TWIST TIP	.009	10	.090
9-311-75	TWIST TIP	.011	6	.120
9-411-75	TWIST TIP	.011	8	.120
9-511-75	TWIST TIP	.011	10	.120
9-611-75	TWIST TIP	.011	12	.120
9-313-75	TWIST TIP	.013	6	.180
9-413-75	TWIST TIP	.013	8	.180
9-513-75	TWIST TIP	.013	10	.180
9-613-75	TWIST TIP	.013	12	.180
9-713-75	TWIST TIP	.013	14	.180
9-315-75	TWIST TIP	.015	6	.240
9-415-75	TWIST TIP	.015	8	.240
9-515-75	TWIST TIP	.015	10	.240
9-615-75	TWIST TIP	.015	12	.240
9-715-75	TWIST TIP	.015	14	.240

Fan width based on 2200 PSI with latex paint 12" from surface. Actual results may vary, depending on material viscosity.

Part No.	Description	Orifice	Fan Width (In.)	GPM Capacity @2200 PSI
9-417-75	TWIST TIP	.017	8	.310
9-517-75	TWIST TIP	.017	10	.310
9-617-75	TWIST TIP	.017	12	.310
9-717-75	TWIST TIP	.017	14	.310
9-419-75	TWIST TIP	.019	8	.380
9-519-75	TWIST TIP	.019	10	.380
9-619-75	TWIST TIP	.019	12	.380
9-521-75	TWIST TIP	.021	10	.470
9-621-75	TWIST TIP	.021	12	.470
9-523-75	TWIST TIP	.023	10	.570
9-623-75	TWIST TIP	.023	12	.570
9-525-75	TWIST TIP	.025	10	.670
9-625-75	TWIST TIP	.025	12	.670
9-627-75	TWIST TIP	.027	12	.740
9-435-75	TWIST TIP	.035	8	1.31

Accessories



Description	Order Number
New mesh filters available in 2 sizes:	60 mesh* (kit of 5) 54-5788-K5
	100 mesh (kit of 5) 54-5789-K5
Tungsten Carbide Seat Flat Tip	54-5799-K
Tungsten Carbide Seat Twist Tip	54-5832-K

*60 mesh filters come standard with all guns.



www.binks.com

Sales and Service Through A Global Network of Industrial Distributors

North American Office
195 Internationale Blvd.
Glendale Heights, IL 60139
630-237-5000

Toll Free Customer Service
and Technical Support
800-992-4657

Toll Free Fax
888-246-5732