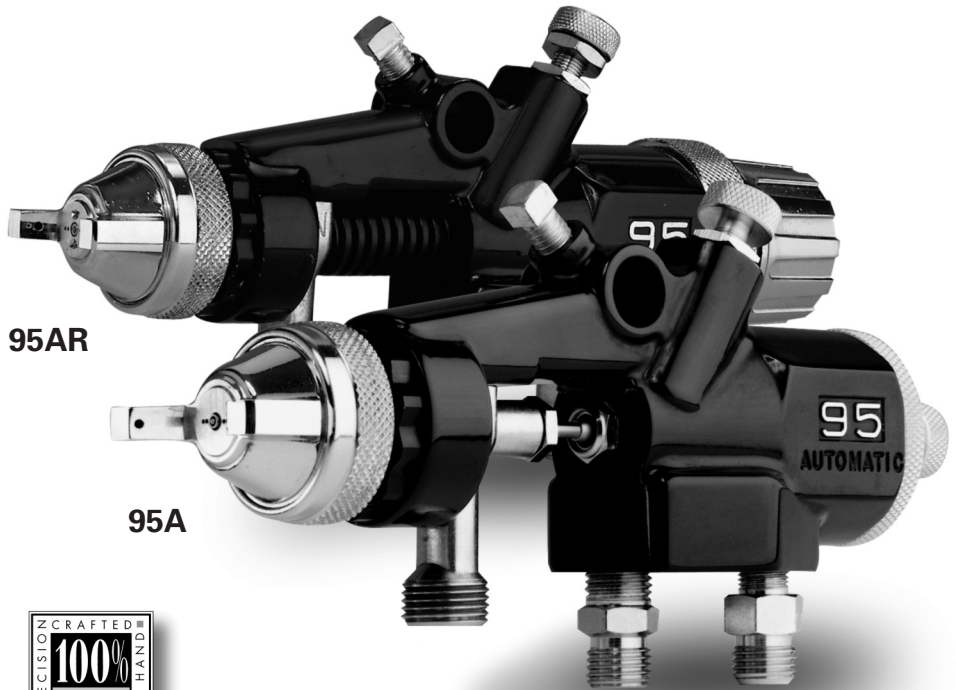


# 95A, 95AV, 95AR & 95APF (Automatic Guns)

## Model 95A (Automatic)

A conventional style air spray gun that is pneumatically activated for applications with reciprocating, rotary, spindle machines, and in stationary spray gun set-ups. Exceptionally rugged, the Model 95A is designed to stand-up under hard, continuous use. 60 Series air and fluid nozzles are used in this spray gun. The 60 Series nozzles provide spray patterns from a one inch spot to a wide fan with uniform coverage. All fluid contact surfaces within the spray gun, including inlet, nozzle and needle, are constructed of stainless steel for use with waterborne as well as conventional coatings.



## 95A Technical Specifications:

Body:	Drop-forged anodized aluminum
Weight:	20.5 Oz.
Cylinder Air Inlet:	1/4" NPS (M)
Cylinder Air Pressure:	40 PSI Min. 100 PSI Max.
Atomization Air:	1/4" NPS (M)
Fluid Inlet:	3/8" NPS (M)
Fluid Passages:	Stainless Steel
Fluid Pressure:	100 PSI Max.
Mounting Hole:	1/2"
Part Sheet:	77-2641
Gun Repair Kit:	54-3579
VT Inlet Kit	54-4511

## Most Popular:

95A	63BSS x 63PB	6469-2800-7
95A	66SS x 66SD	6469-4307-9
95A	63ASS x 63PB	6469-2500-7
95A	68SS x 68PB	6469-5111-5

## Model 95AV

Same features as the Model 95A Spray Gun, but a tungsten carbide fluid nozzle and needle are used. For use with abrasive fluids.

## Model 95AR

Same features as Model 95A Spray Gun, but has ratchet type adjustable needle valve control.

Recommended for installations requiring numerous fluid control adjustments. Part Sheet 77- 2655

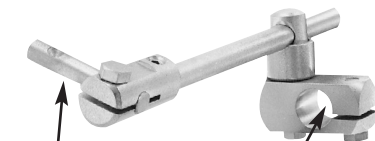
## Model 95APF (not shown)

Similar to Model 95A Spray Gun, but recommended for Pharmaceutical and Food Spraying. Product contact surfaces are constructed of FDA acceptable materials.

Part Sheet 77- 2706

## Accessories:

Mounting Bracket 54-380



1" Diameter  
1/2" Dia. Gun Mounting