

POMTAVA

Metering gear pumps



Username Password [Ask for an account](#)

Worldwide
[français](#) [deutsch](#)

[NEWS](#)

[PRODUCTS](#)

[THE FIRM](#)

[CONTACT](#)

Quick search :

Our firm

A LITTLE BIT OF STORY...

Founded in 1986, POMTAVA carried on production of Tavannes and Dima dosage pumps first manufactured in 1922.

Located in the **heartland of European machine-making** and worldwide watchmaking, we carry on the tradition of **precision and reliability**, with its highly qualified staff operating the latest **manufacturing equipment**.

Thus, with help of our subcontractors, we have control over the entire production chain. Moreover, we are situated in a region where top quality technical educational facilities ensure the best opportunities for job training and Research + development.

The result is that we now have a world-wide reputation: **98% of our output** is exported, to customers worldwide!



IN GENERAL

- ▶ Thanks to its technical know-how kept rigorously up to date by fulltime monitoring of technological developments, POMTAVA now enjoys an excellent "word of mouth" reputation
- ▶ Management policy puts customer satisfaction first, through fast handling of orders and on going close contact
- ▶ The firm works without middlemen, but development and sales staff make regular trips into the field
- ▶ POMTAVA has built its very own testing facilities. It is therefore capable to deliver a certificate for each metering pump and to run specific tests for its clients in order to better guide them in their choice of pump for their particular products



ON THE TECHNICAL LEVEL

- ▶ Interchangeability
- ▶ Modular system
- ▶ Various routing possibilities, as requested by the customer
- ▶ For a same type of pump, metering of thin or thicker products

THE STRONG POINTS OUR SERVICE

- ▶ Short delivery time
- ▶ Fast response to break downs
- ▶ Fast response to customer concerns
- ▶ Technical test for our customers
- ▶ Training sessions for customers personnel



QUALITY

- ▶ POMTAVA is now ISO 9001/2008 certified. N° CH03/0473

POMTAVA

Metering gear pumps



Username:

Password:

Ask for an account

Worldwide

francais deutsch

[NEWS](#)

[PRODUCTS](#)

[THE FIRM](#)

[CONTACT](#)

Quick search:

Products - Painting pumps

[Back](#)

POMTAVA paint pumps are separated in 3 groups, related to the outputs they offer.
Available outputs are situated between **0.003 litres/minute to 4.400 litres/minute**

- ▶ Mainly fitted for water or solvent based automotive and industrial paint.
- ▶ Very accurate dosing
- ▶ Maximum flushing
- ▶ All parts are in tempered stainless steel
- ▶ Reduction of "dead zones" allowing for a better flushing
- ▶ New sealing technology combining lip seals and liquid barrier
- ▶ Sealing options quickly interchangeable
- ▶ Strong, coated drive shaft, held in place with 2 bearings and a axial thrust
- ▶ Centering pins making pump assembly easier and increasing its accuracy
- ▶ Depending on the type it is possible to mount a bypass system at the rear of the pump



AUTOMOTIVE AND INDUSTRIAL PAINT PUMPS - GROUP 1



Outputs from **0.003 litres/minute to 0.6 litres/minute** You can find below the list of pumps which compose this group ; click on a pump to see its details :

- ▶ 1611-1-1 1/O on the rear of the pump
- ▶ 1611-4-1 1/O on the body
- ▶ 1611-4-2 1/O on the body, bypass adaptable



AUTOMOTIVE AND INDUSTRIAL PAINT PUMPS - GROUP 2



Outputs from **0.012 litres/minute to 2 litres/minute** You can find below the list of pumps which compose this group ; click on a pump to see its details :

- ▶ 2611-4-1 1/O on the body
- ▶ 2611-4-2 1/O on the body, bypass adaptable
- ▶ 2633-4-3 light weight gear pump / Robot arm design / Shaft flushing technology



AUTOMOTIVE AND INDUSTRIAL PAINT PUMPS - GROUP 2 - 2000 ©



Outputs from **0.024 litres/minute to 2 litres/minute** You can find below the list of pumps which compose this group ; click on a pump to see its details :

- ▶ 2010-3-1 1/O on the body. Entirely treated with ADLC. Fast flushing capability. **This pump is patented.**
- ▶ 2010-3-2 1/O on the body, entirely treated with ADLC. **This pump is patented.**
- ▶ 2010-4-1 1/O on the body. Entirely treated with ADLC. Very fast flushing capability. **This pump is patented.**



AUTOMOTIVE AND INDUSTRIAL PAINT PUMPS - GROUP 3



Outputs from **0.06 litres/minute to 4.4 litres/minute** You can find below the list of pumps which compose this group ; click on a pump to see its details :

- ▶ 3611-1-1 1/O on the rear of the pump
- ▶ 3611-3-1 Inline
- ▶ 3611-3-2 Inline | Bypass available
- ▶ 3611-4-1 1/O on the body
- ▶ 3611-4-2 Flushing capability

POMTAVA

Metering gear pumps



Username Password Ask for an account [Worldwide](#) [français](#) [deutsch](#)

[NEWS](#) [PRODUCTS](#) [THE FIRM](#) [CONTACT](#)

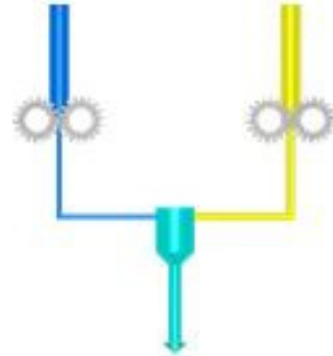
Quick search :

Products - Mono and multicomponents pumps

[Back](#)

POMTAVA mono and multi components pumps are separated in 4 groups, related to the outputs they offer. Available outputs are situated between **0.005 litre/minute to 20.000 litres/minute**

- ▶ Mainly fitted for the following application fields : Silicones, glues, elastomers, polyurethanes, various resins, various hardeners, pigments, epoxy, polyesters, and many others
- ▶ Very accurate dosing
- ▶ Maximum flushing
- ▶ All parts are in tempered stainless steel
- ▶ Reduction of "dead zones" allowing for a better flushing
- ▶ New sealing technology combining lip seals and liquid barrier
- ▶ Sealing options quickly interchangeable
- ▶ Strong, coated drive shaft, held in place with 2 bearings and a axial thrust
- ▶ Centering pins making pump assembly easier and increasing its accuracy
- ▶ Depending on the type it is possible to mount a bypass system at the rear of the pump



MULTICOMPONENTS PUMPS - GROUP 1



Outputs from **0.0005 litres/minute to 0.6 litres/minute** You can find below the list of pumps which compose this group ; click on a pump to see its details :

- ▶ 1610-1-1 I/O on the rear of the pump
- ▶ 1610-4-1 I/O on the body
- ▶ 1610-4-2 I/O on the body, bypass adaptable

MULTICOMPONENTS PUMPS - GROUP 2



Outputs from **0.012 litres/minute to 2 litres/minute** You can find below the list of pumps which compose this group ; click on a pump to see its details :

- ▶ 2610-1-1 I/O on the rear of the pump
- ▶ 2610-2-1 following plate (PS)
- ▶ 2610-4-1 I/O on the body
- ▶ 2610-4-2 I/O on the body, bypass adaptable



MULTICOMPONENTS PUMPS - GROUP 3



Outputs from **0.06 litres/minute to 4.4 litres/minute** You can find below the list of pumps which compose this group ; click on a pump to see its details :

- ▶ 3610-1-1 I/O on the rear of the pump
- ▶ 3610-2-1 following plate (PS)
- ▶ 3610-3-1 inline (I/O on the middle plate)
- ▶ 3610-3-2 inline & flushing ability (with bypass)
- ▶ 3610-4-1 I/O on the body
- ▶ 3610-4-2 I/O on the body, bypass adaptable



MULTICOMPONENTS PUMPS - GROUP 4



Outputs from **0.35 litres/minute to 20 litres/minute** You can find below the list of pumps which compose this group ; click on a pump to see its details :

- ▶ 4610-1-1-2 I/O on the rear of the pump
- ▶ 4610-2-1-2 following plate (PS), input on the deck / Output on the middle plate
- ▶ 4610-3-1 inline

POMTAVA

Metering gear pumps



Username Password [Ask for an account](#)

Worldwide
[français](#) [deutsch](#)

[NEWS](#)

[PRODUCTS](#)

[THE FIRM](#)

[CONTACT](#)

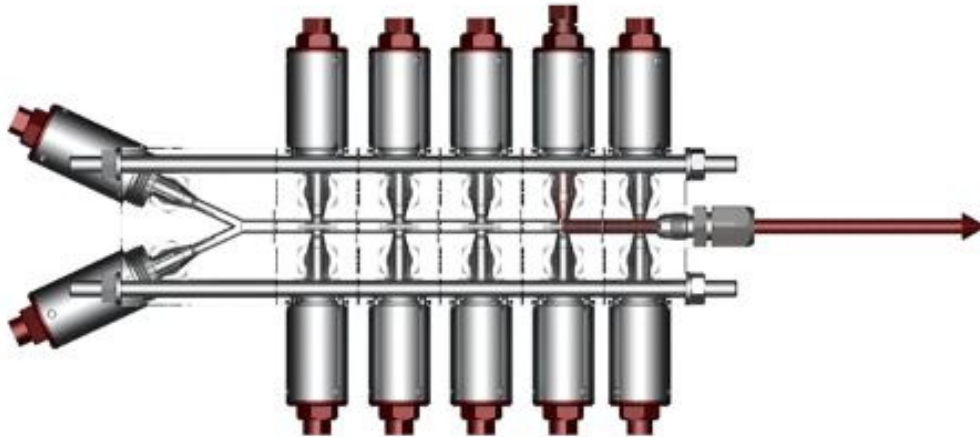
Quick search :

Products - Paint changers

[Back](#)

HOW DOES A POMTAVA'S PAINT CHANGER WORK ?

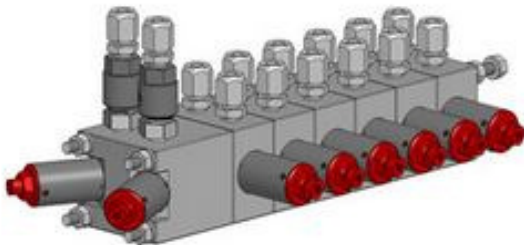
1. Red paint
2. Flushing with solvent and air (in blue)
3. Yellow paint
4. Flushing with solvent and air (in blue)
5. etc.



TYPE 4003

2 colors per block, simple channel, valves type 410 with or without recirculation of the flushing and emulsion products. With or without recirculation of the colors.

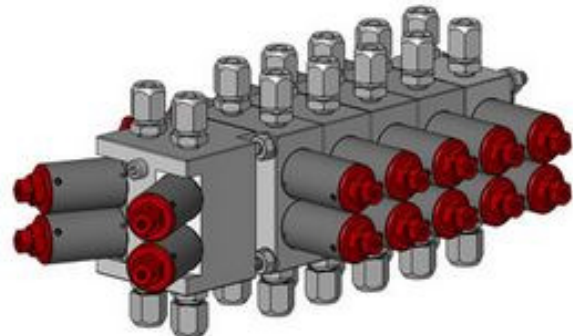
[See in details... \(PDF, ~2Mb\)](#)



TYPE 4006

2 colors per block, double channel, valves type 410 with or without recirculation of the flushing and emulsion products. With or without recirculation of the colors.

[See in details... \(PDF, ~2Mb\)](#)



POMTAVA

Metering gear pumps



Username Password Ask for an account

Worldwide
français deutsch

NEWS

PRODUCTS

THE FIRM

CONTACT

Quick search :

Products - Dispense Control®

← Back

Today's market demands constant adaptation. More precisely in the automotive industry, always searching for more compact, lighter and better suited technologies. This explains why 2 experts, with lots of experience in this field, met in order to put together their know-how. On one hand POMTAVA and its precision metering gear pumps and on the other, Küppers Elektromechanik (KEM), specialist since 1965 in output measure.

From this common effort came out a metering pump with integrated measuring cell. Actually, this measuring cell is integrated in the connecting block of the metering pump. The product is transported by the pump and passes directly in the measuring cell, where it is measured electronically. The control of the rotation speed of the metering gear pump is thus adjusted according to what was required more precisely.

This unit is called Dispense Control, its role is to ensure perfect constant accuracy during paint dosage in the installation.

During its development the following features were particularly studied :

- Optimal draining capacity
- Good flushing capability
- Minimal loss of pressure
- Best finishing and connections of electronic signal
- Compact construction and easy access

In those application fields (polymers, resins, paints, etc.), Dispense Control can be used equally in a manual or in an automatic installation. Surveillance of the metered quantity as well as control of the feeding line are guaranteed. The installation is therefore watched by smart piloting, and thus, the uninterrupted production is guaranteed.

The precision of the Dispense Control is +/- 0.5%, the reproductibility 0.1%. Actually, the Dispense Control is capable of dosing between 0.005 and 2 liters per minute. Units working with higher outputs are in testing and/or certification process. The protected EX versions are also available.

The advantage of this system compared to the original gear pump with a separate measuring cell are obvious :

- More room
- No connecting hose
- Immediate measure without loss of time
- Saving on price
- Better flushing
- A partner ready to listen for the pump as well as for the measuring cell

Dispense Control : a innovative concept for transporting and metering of fluid has been developed by two international companies, referenced in avant-garde technology.

For further information please visit us on <http://www.dispensecontrol.com> or by email : info@dispensecontrol.com.

Informations about our partner :



Küppers Elektromechanik GmbH
www.kem-kueppers.com

