

BINKS RAM UNITS



Binks Ram Units are a tough, hard-working, high performance range of single and dual post Rams.



Binks' new range of Ram Units offer a rugged, reliable and high performance solution for the delivery of medium and high viscosity materials in both stand-alone and system applications.

These durable units are built to last and will give long, trouble free performance offering continuous production whilst keeping overall cost of ownership down.

Binks Ram Units provide the ideal delivery solution for materials such as lubricants, mastics, adhesives, epoxies and sealants. They deliver a constant, low pulse flow of material to the dispensing tool by ensuring correct priming of the pump and preventing material cavitation.

Wide choice of pumps, follower plates and pneumatic rams, optimise Ram Unit applications.

Units to suit industry standard 20, 30, 60 and 205 Litre containers.

Dual-seal follower plates as standard reduce material wastage.

Choice of pneumatic rams on 205L model:

Ø80mm (DR205) for high pressure duty and Ø160mm (DRX205) for extreme duty.

Incorporate Binks highly respected MX high pressure pumps giving trouble free operation and long working life.

Stainless steel pump fluid section as standard with choice of ball-check or chop-check inlet.

Wide choice of pump ratios

from 15:1 to 60:1 (ball-check) and 5:1 to 68:1 (chop-check).

Patented Binks low-ice air motors give reliable, non-stop performance.

5 Year warranty on manufacturing defects.

The range of single and dual post units are designed to accommodate industry standard material containers from 20L to 205L. The twin seal follower plates accurately fit the container, cleaning the inside as it descends and keeping wastage to a minimum.

Our Ram Units incorporate the highly regarded Binks MX range of high pressure piston pumps. These solidly built pumps have a reputation for durability, reliability and long life and are available with a choice of ball-check or chop-check fluid inlets.

Complete Ram Units include an easy-use pneumatic control box with 'up/down' switch, auto shut off when the container is empty and a release valve to 'break' the suction seal when lifting the ram plate clear of the used material. Optional extras include an automatic 'change-over' switch for use with two Ram Units on duty / standby mode.



finishingbrands.eu





BINKS RAM UNIT Packages

Our ram units are built on 3 rugged chassis sizes. The 500mm x 350mm single post chassis for the SR20, the 710mm x 460mm dual post chassis for the DR20, 30 and 60 units and the 915mm x 60mm chassis for the DR205 and DRX205 units.

SR20 Single Post Ram Unit with Ø80mm pneumatic rams and 20L / 5 US Gallon Follower Plate. 6 pump options. Trolley mounted version available

DR20 Dual Post Ram Unit with Ø80mm pneumatic rams and 20L / 5 US Gallon Follower Plate. 13 pump options

DR30 Dual Post Ram Unit with Ø80mm pneumatic rams and 30L / 7.5 US Gallon Follower Plate. 13 pump options

DR60 Dual Post Ram Unit with Ø80mm pneumatic rams and 60L / 15 US Gallon Follower Plate. 13 pump options

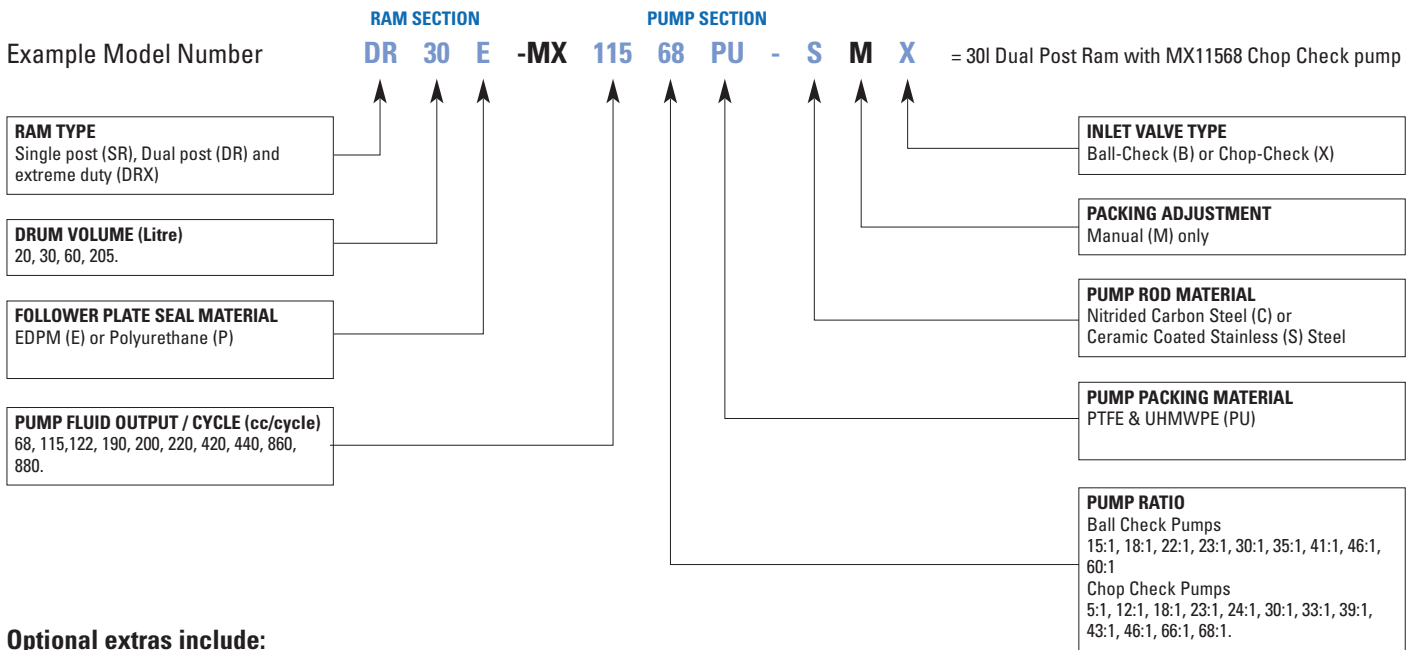
DR205 Dual Post Ram Unit with Ø80mm pneumatic rams and 205L / 55 US Gallon Follower Plate. 23 pump options

DRX205 Dual Post Extreme Duty Ram Unit with Ø160mm pneumatic rams and 205L / 55 US Gallon Follower Plate. 23 pump options



Ram Unit Pump Outfit Options

Equip your Ram Unit from our extensive range of durable, hard-working MX Pumps. (See back page for pump fluid output and pressure ratings)



Optional extras include:



Trolley for SR20 (Part No. 104128)



Auto changeover unit for twin Ram-Unit 'duty/standby' control (Part No. 104099)

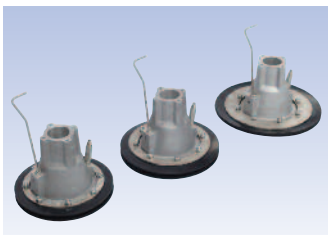




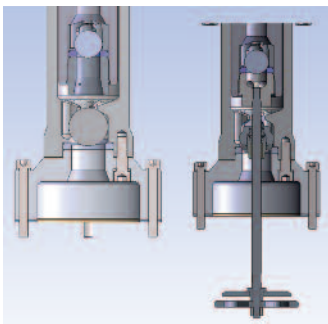
Patented anti-stall, magnetic detent technology with quick exhaust valves give 'no-ice' operation for un-interrupted production.



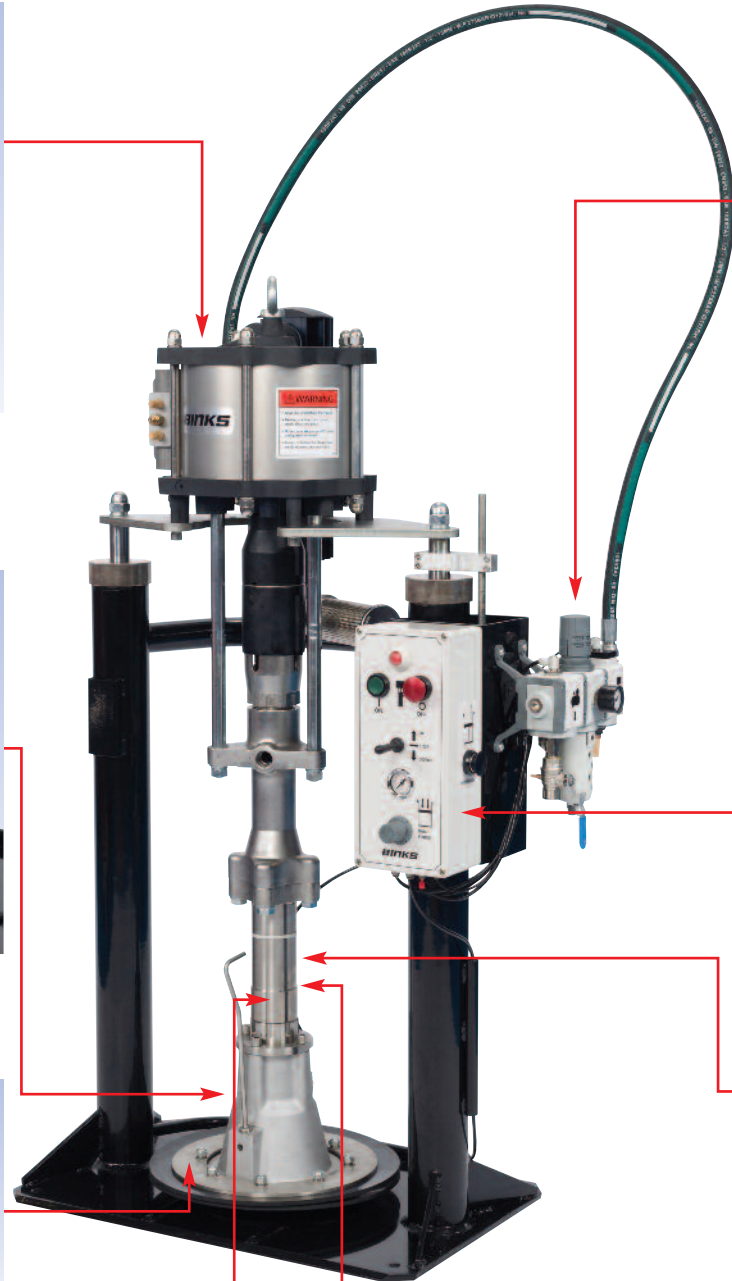
Follower plates include priming port and release valve for fast container change-over.



Dual-seal follower plates for industry standard 20, 30, 60 & 205 litre containers.



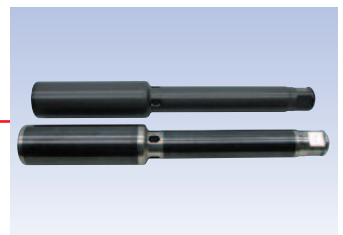
Choice of ball-check (left) or Chop-Check (right) inlet valve configuration.



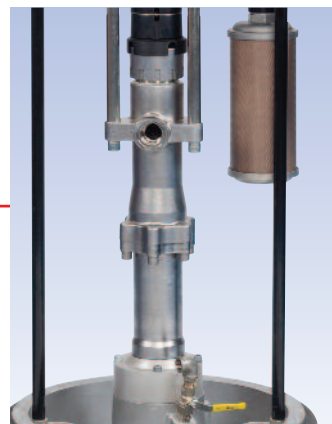
Pump air control.



Easy to use Ram control box for simple operation.



Nitrided carbon steel pump rod (top) Ceramic coated stainless steel (bottom) for greater durability (see below).



Stainless steel fluid sections as standard.

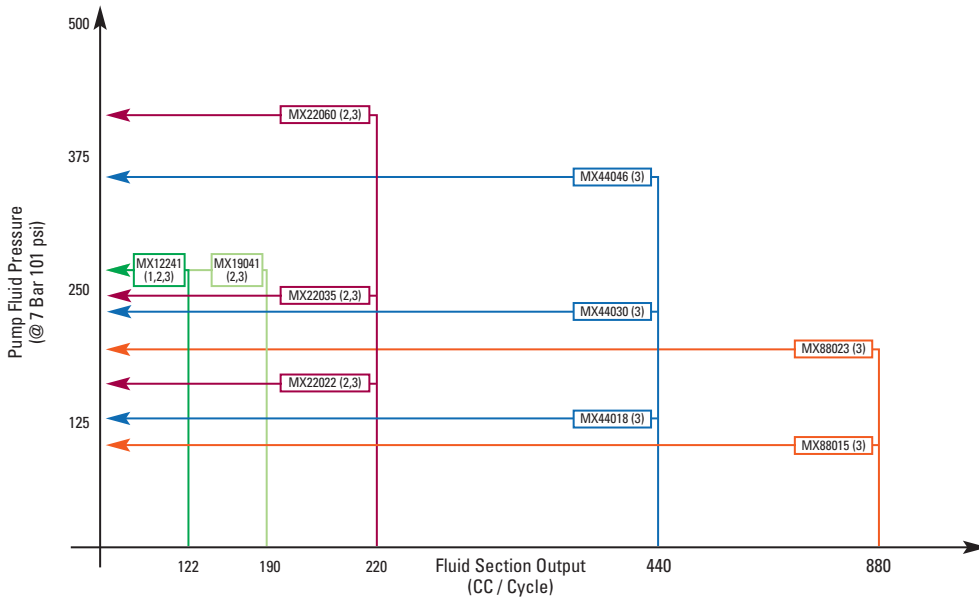


Independent trials have verified that Ceramic-Coated stainless steel pump pistons provide the most durable surface available for resisting wear from highly abrasive fluids, whilst reducing friction and extending the pump packing lifecycle.

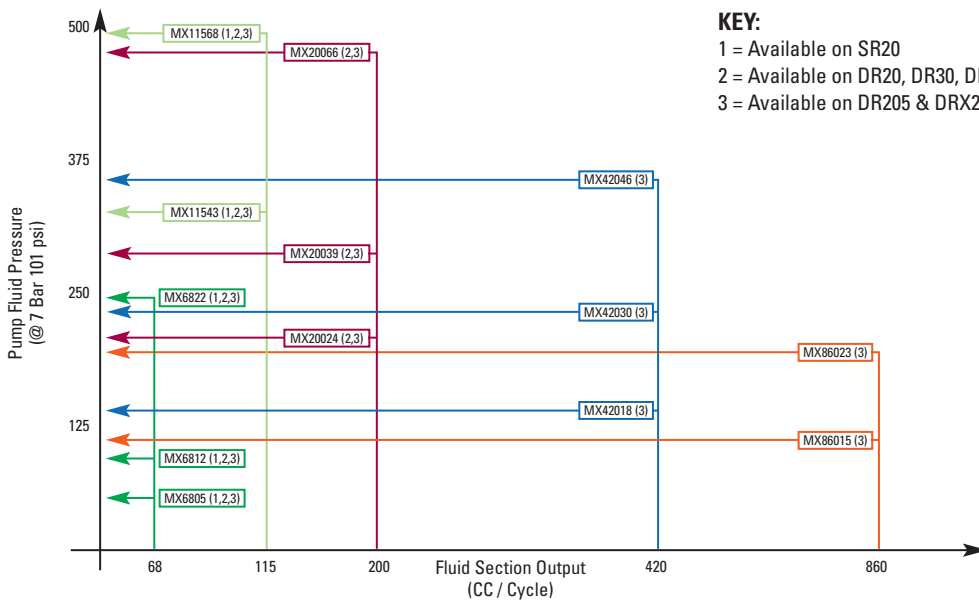


BINKS RAM UNITS / COMPATIBLE PUMP SPECIFICATIONS

Ram Unit Ball-Check Pump Options



Ram Unit Chop-Check Pump Options



KEY:
 1 = Available on SR20
 2 = Available on DR20, DR30, DR60
 3 = Available on DR205 & DRX205

Ram Unit Specifications

Feature		
Maximum Working Air Pressure		6 Bar / 87 psi
Air Inlet		1/2" BSP F
Ram Stroke	SR20	410 mm / 16"
	DR20/30/60	688 mm / 27"
	DR205 DRX205	960 mm / 37.8"
Unit Height - Fully Extended	SR20	1242 mm / 49"
	DR20/30/60	1750 mm / 69"
	DR205 DRX205	2550 mm / 100"
Wiper Ring Material	SR20	EPDM / PU
	DR20/30/60	
	DR205 DRX205	EDPM
Weight without Pump	SR20	55 kg / 121 lbs
	DR20/30/60	130 kg / 286 lbs
	DR205	
	DRX205	212 kg / 466 lbs



Binks warrants to the original end-use purchaser that Binks Ram-Unit products shall not fail under normal use and service due to a defect in material or workmanship within five (5) years from the date of shipment from Binks. Does not include normal wear and tear.

For further technical information, refer to the Binks Ram Unit Service Bulletins. Further customised versions are available, contact your Binks representative to discuss your requirements.

Sales and Service through our Global Network of Industrial Distributors

Finishing Brands Locations

Americas: **USA** ▪ **Mexico** ▪ **Brazil**
 Europe/Asia/Africa: **United Kingdom** ▪ **France** ▪ **Germany**
 Pacific Rim: **China** ▪ **Japan** ▪ **Australia**



www.finishingbrands.eu

email: marketing@finishingbrands.eu

