

DEKUPS®
Disposable Cups

FLUID HANDLING



Productivity.
Performance.
Profits.



Increase Productivity and Efficiency

Less Cleaning - Only clean gun fluid passage vs. traditional gravity cups that require significant cleaning time and solvent use

Reduces Steps - Mix and spray with one cup. Multiple filter options reduce the need to strain paint

Clean Paint Jobs - Sealed, contamination-free system

Coatings - Works with a wide variety of coatings

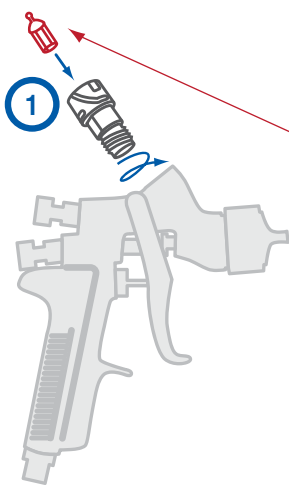
Safety - Less exposure to cleaning solvents and VOC's

Storage - Temporarily store unused paint between coatings therefore reducing paint waste



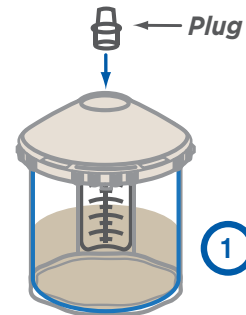
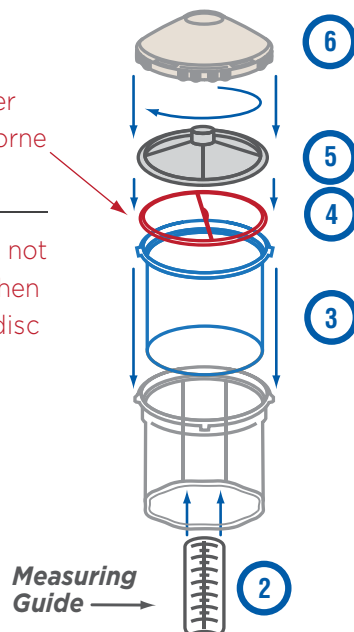
HOW DOES IT WORK?

ASSEMBLY



Disc strainer for waterborne coatings

Barrel filter not required when using the disc strainer



SHAKING



Designed for Durability and Performance

Liner Collapses Evenly

Liner system provides superior fluid flow, color match, and less over mixing. Spray at any angle including upside down.

Multiple Filter Options

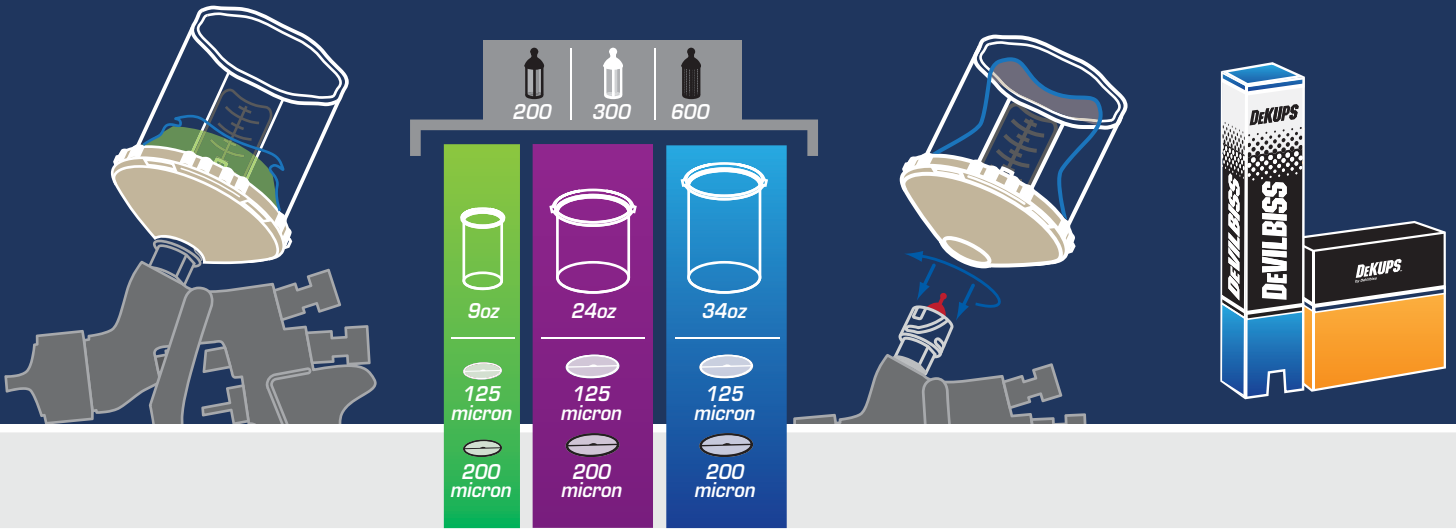
Choose the right filter for your job. Barrel filters offer additional savings, while disk filters provide sizable filtration for superior fluid flow of waterborne paints.

Positive Locking Connection

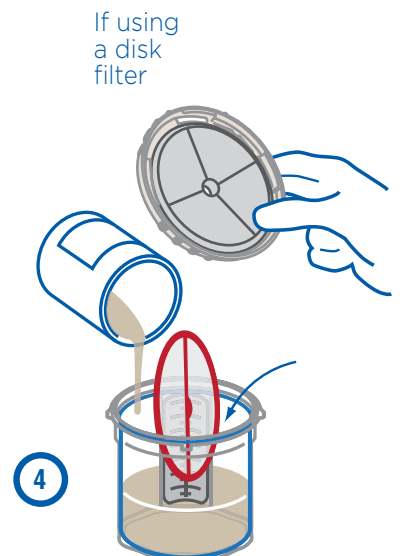
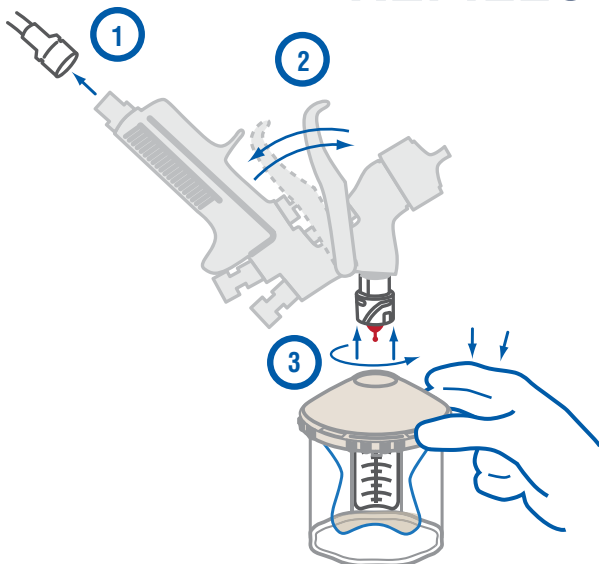
Non-threaded easy on and off design allows for a tight and secure connection. Adapters available for virtually all guns.

Self-Dispensing Packaging

Mount. Dispense. Discard. Conveniently packaged for production shops.



REFILLS



CUP SYSTEMS

Part Number	Description	Quantity
DPC-601	24 oz. Disposable Cup/Lid	32
DPC-602	9 oz. Disposable Cup/Lid	32
DPC-600	34 oz. Disposable Cup/Lid	32
DPC-606	24 oz. Reusable Sleeve/Lid	2
DPC-607	9 oz. Reusable Sleeve/Lid	2
DPC-608	34 oz. Reusable Sleeve/Lid	2
DPC-503-K24	3 oz. Vented Disposable Cup/Lid	24

ADAPTERS

Part Number	Description	Quantity
DPC-31	Trophy, Compact, JGA, EXL, FLG, SV100, 95-G, Graco® XT (3/8-19 BSP Male)	1
DPC-23	Trophy Touch Up, SRI, Cub, Compact Mini (7/16-14 UNC 2A Male)	1
DPC-10	SV50 Full Size, Graco Finex, SATA® NR2000, RP, Sata Jet 90 Series (16mm-1.5mm Male)	1
DPC-11	SATA NR95, Iwata® LPH 400 & W400 (16mm-1.5mm Female)	1
DPC-77	Graco® AirPro (5/8-11 UNC 2A Male)	1
DPC-78	Kremlin, Iwata SuperNova, Iwata Air Guns, LPH300 & W300 (1/4-19BSP Male)	1
DPC-500	Converter for 3M Adapters	1
DPC-502	SATA Mini Conversion Adapter (10mm-1.0mm Male)	1
DPC-501	SATA 3000 / 4000 (Trapezoidal Thread)	1
DPC-79-K1	Suction: Trophy Touch-Up, Cub (1/4 NPSF)	1
DPC-69-K1	Suction Conversion Adapter for full size guns (3/8-18 NPSF)	1
DPC-26	Accuspray® Adapter	1
DPC-43	Plus, GTI, Sharpe, M1-G (3/8-18 BSP Male)	1
DPC-64	SV50 Touch Up, StartingLine Mini (11mm-1.0mm Male)	1

ACCESSORIES

Part Number	Description	Quantity
DPC-60-K10	Measuring Guide 9 oz	10
DPC-59-K10	Measuring Guide 24 oz	10
DPC-61-K10	Measuring Guide 34 oz	10
DPC-65-K24	Disk Filters 125 Micron 9 oz.	24
DPC-42-K24	Disk Filters 125 Micron 24 oz. & 34 oz.	24
DPC-67-K24	Disk Filters 200 Micron 9 oz.	24
DPC-66-K24	Disk Filters 200 Micron 24 oz. & 34 oz.	24
DPC-27-K10	Barrel Filter - 200 Micron	10
DPC-17-K10	Barrel Filter - 300 Micron	10
DPC-14-K10	Barrel Filter - 600 Micron	10
DPC-22-K24	Disposable Funnels	24
DPC-6-K10	Orange Plugs	10
DPC-44	Cleaning Brush	1
DPC-8	Cleaning Bottle	1

ACCESSORIES

DPC-654 24 oz. Demo Trial Kit with Adapter, Reusable Sleeve, Disposable Cups, Plugs, Filters

The DeKups® System is covered by U.S. Patent Nos. 6,820,824 and 7,374,111, owned by 3M Innovative Properties Co., additional U.S. Patent Nos. 7,380,680; 7,354,074; 7,353,964; 7,350,418; 7,344,040; 7,263,893; 7,165,732; 7,086,549.



SOLUTIONS FOR YOUR WORLD

www.carlisleft.com

World Class Manufacturers of: | Process Controls | Curing & Conveying
Electrostatics | Fluid Handling | Powder Coating | Atomization

Carlisle Fluid Technologies US
16430 N. Scottsdale Road, Suite 450
Scottsdale, AZ 85254

Tel: 1-800-992-4657
Fax: 877-790-6965
Email: ghcustserv@carlisleft.com