

TROPHY SERIES

Application Versatility • Robust Design • Ergonomics

ATOMIZATION



Start With Confidence.
Finish With A Trophy.



TROPHY SERIES

Application Versatility • Robust Design • Ergonomics

Application Versatility and Consistent Championship Performance - That's What You Can Expect From Binks Trophy Series Equipment.

Whatever size job or part you're finishing - whatever material you're spraying - Binks Trophy Series spray guns provide the technology and confidence needed for most jobs and coatings.



BINKS HAS YOU COVERED.

Pressure Feed Full Size, Pressure Feed Touch Up



Gravity Feed Full Size, Gravity Feed Touch Up



Siphon Feed Full Size, Touch Up



Automatic

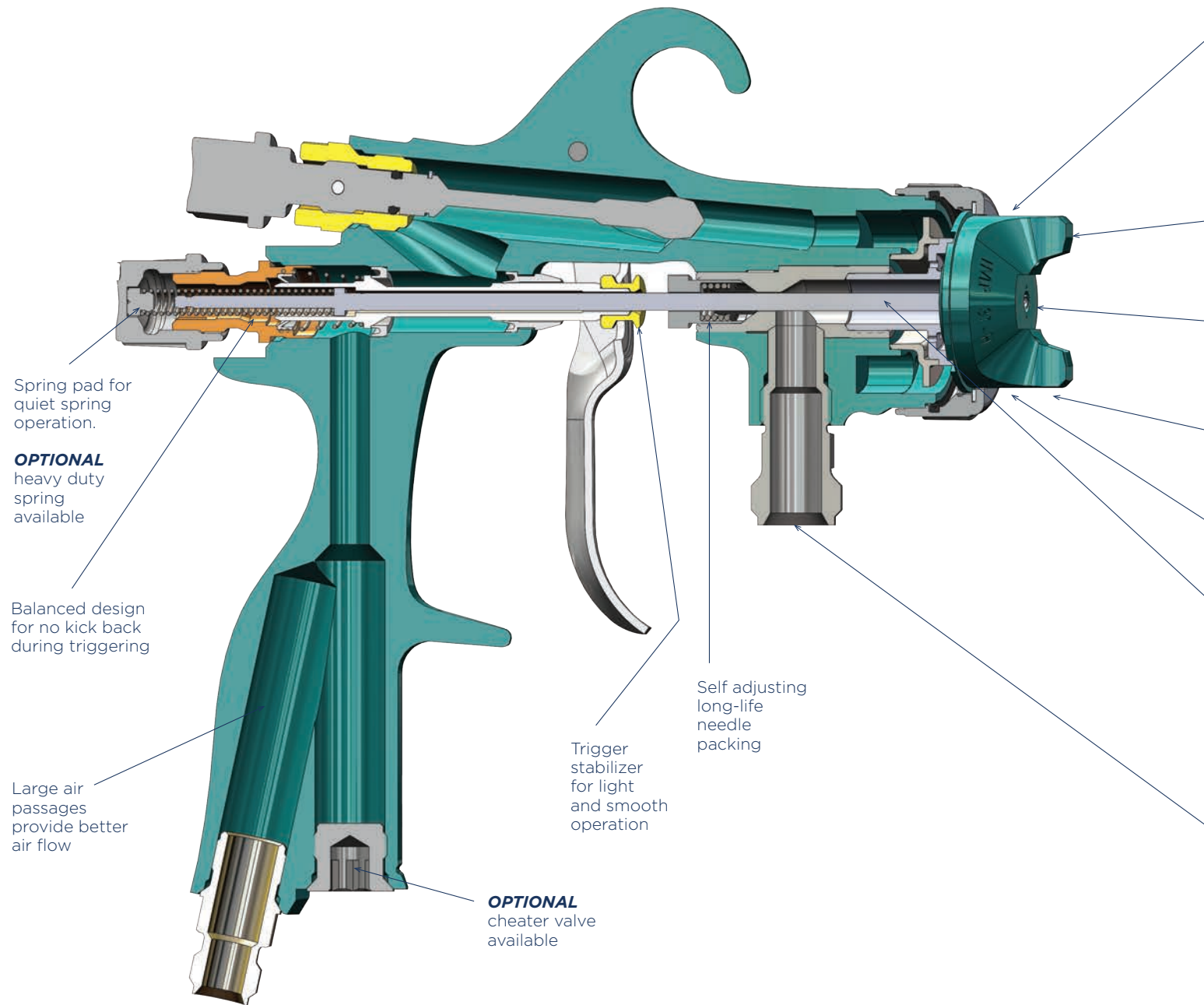


TROPHY SERIES

Application Versatility • Robust Design • Ergonomics

Anatomy Of A Champion

The Binks Trophy Series Line of Spray Guns Offer Unparalleled Robustness For Industrial Coating and Finishing Requirements.



TROPHY SERIES

Application Versatility • Robust Design • Ergonomics

AIR CAP

- HVLP, LVMP, Conventional
- Three spray technologies can be used on the same gun platform



Long life seal lasts twice as long as typical seals

Balanced and uniform pressure and distribution inside the air cap produces uniform spray particle distribution

Tuff Tip Hardened fluid nozzles last longer

OPTIONAL air cap pin available for Air cap positioning

Easy-grip air cap ring for easy removal and installation

ONE STAINLESS STEEL NEEDLE FOR ALL FLUID NOZZLES REDUCES INVENTORY

Stainless steel fluid passages for wide variety of materials

Needle knob can be used to remove piston for convenience

Needle seal cartridge assembly can be removed as one complete assembly

Combined with our comprehensive and compatible fluid nozzle and needles - including our hardened stainless steel Tuff Tip, plastic needle tips, and tungsten carbide - Trophy series spray equipment is fully capable of spraying the widest range of materials and viscosities.

COATING TYPES

THIN (5-25 Centipoise, 15-19 sec. Zahn 2 Cup) - Wash primers, dyes, stains, solvents, water, inks, sealers, lacquers, lubricants, zinc chromates, acrylics

MEDIUM (20-70 Centipoise, 20-30 sec. Zahn 2 Cup) - Synthetic enamels, varnishes, shellacs, fillers, primers, epoxies, urethanes, lubricants, wax emulsions, enamels

HEAVY (70-160 Centipoise, 31-66 sec Zahn 2 Cup)

ADHESIVES - Water-based vinyl, glues, solvent-based neoprenes, contact cements

CERAMICS - Abrasive materials, glazes, porcelain enamel

ATOMIZATION TECHNOLOGIES

- **HVLP** Air Pressure is less than 10 psi at the air cap. Meets USA standards and regulatory requirements
- **LVMP** Provides equal to or greater transfer efficiency at higher air pressures than HVLP
- **CONV** Can spray at any air pressure. Good for viscous materials

For additional configurations, model numbers, tungsten carbide set-ups, and information, refer to the following spray gun bulletins:

- 77-3026 - Trophy Pressure Feed & Siphon Feed
- 77-3027 - Trophy Gravity Feed
- 77-3042 - Trophy Touch-Up Pressure Feed
- 77-3043 - Trophy Touch-Up Gravity Feed
- 77-3049 - Trophy Automatic

GUN TYPE	SPRAY GUN TECHNOLOGY	COATING TYPES	NEEDLE MATERIAL	TIP SIZE	AIR CAP	ORDER NUMBER
Full Size Gravity	LVMP ●	Thin / Medium	Stainless	1.4 mm (.055)	23-L	2466-14LV-23SG
	LVMP ●	Medium / Heavy	Stainless	1.8 mm (.070)	23-L	2466-18LV-23SG
	HVLP ●	Thin / Medium	Stainless	1.2 mm (.047)	32-H	2466-12HV-32SG
	HVLP ●	Thin / Medium	Stainless	1.4 mm (.055)	32-H	2466-14HV-32SG
	HVLP ●	Medium / Heavy	Stainless	1.8 mm (.070)	32-H	2466-18HV-32SG
Full Size Pressure	LVMP ●	Thin / Medium	Stainless	1.2 mm (.047)	23-L	2465-12LV-23SO
	LVMP ●	Thin / Medium	Stainless	1.4 mm (.055)	23-L	2465-14LV-23SO
Full Size Siphon	LVMP ●	Thin / Medium	Stainless	1.8 mm (.070)	23-L	2465-18LV-23SS
	LVMP ●	Thin / Medium	Stainless	.85 mm	25-L	2465-85LV-25SO
	LVMP ●	Thin / Medium	Stainless	1.0 mm	25-L	2465-10LV-25SO
	LVMP ●	Thin / Medium	Stainless	1.4 mm	25-L	2465-14LV-25SO
	LVMP ●	Thin / Medium	Stainless	1.8 mm	25-L	2465-18LV-25SO
	HVLP ●	Thin / Medium	Stainless	1.2 mm (.047)	32-H	2465-12HV-32SO
	HVLP ●	Thin / Medium	Stainless	1.4 mm (.055)	32-H	2465-14HV-32SO
	HVLP ●	Medium / Heavy	Stainless	1.8 mm (.070)	32-H	2465-18HV-32SO
	HVLP ●	Thin / Medium	Stainless	1.8 mm (.070)	32-H	2465-18HV-32SS
	HVLP ●	Thin / Medium	Stainless	.85 mm	39-H	2465-85HV-39SO
Full Size Siphon	HVLP ●	Thin / Medium	Stainless	1.0 mm	39-H	2465-10HV-39SO
	HVLP ●	Thin / Medium	Stainless	1.2 mm	39-H	2465-12HV-39SO
	HVLP ●	Thin / Medium	Stainless	1.4 mm	39-H	2465-14HV-39SO
	Conventional ●	Thin / Medium / Mold Release / Non-Stick	Stainless	1.4 mm (.055)	11-C	2465-14CN-11SO
	Conventional ●	Medium / Heavy	Stainless	1.8 mm (.070)	11-C	2465-18CN-11SO
Full Size Siphon	Conventional ●	Thin / Medium / Adhesives / Non-Stick	Stainless	1.8 mm (.070)	12-C	2465-18CN-12SS
Touch Up Gravity	LVMP ●	Thin	Stainless	1.0 mm (.040)	B1	1466-10LV-BIS
Touch Up Gravity	LVMP ●	Thin / Medium	Stainless	1.2 mm(.047)	B1	1466-12LV-BIS
Touch Up Gravity	HVLP ●	Thin	Stainless	1.0 mm (.040)	C1	1466-10HV-CIS
Touch Up Gravity	HVLP ●	Thin / Medium	Stainless	1.2 mm(.047)	C1	1466-12HV-CIS
Touch Up Pressure	HVLP ●	Thin	Stainless	1.0 mm (.040)	C1	1465-10HV-CIS
Touch Up Pressure	HVLP ●	Thin / Medium	Stainless	1.2 mm (.047)	C1	1465-12HV-CIS
Automatic	HVLP ●	Thin / Medium	Stainless	1.2 mm(.047)	32-H	3465-12HV-32SO
Automatic	HVLP ●	Thin / Medium	Stainless	1.4 mm (.055)	32-H	3465-14HV-32SO
Automatic	HVLP ●	Medium	Stainless	1.6 mm (.063)	32-H	3465-16HV-32SO
Automatic	HVLP ●	Medium / Heavy	Stainless	1.8 mm (.070)	32-H	3465-18HV-32SO
Automatic	HVLP ●	Thin / Medium	Stainless	.85 mm	39-H	3465-85HV-39SO
Automatic	HVLP ●	Thin / Medium	Stainless	1.0 mm	39-H	3465-10HV-39SO
Automatic	HVLP ●	Thin / Medium	Stainless	1.2 mm	39-H	3465-12HV-39SO
Automatic	HVLP ●	Thin / Medium	Plastic	1.3 mm	39-H	3465-12HV-18PO
Automatic	HVLP ●	Thin / Medium	Stainless	1.4 mm	39-H	3465-14HV-39SO
Automatic	LVMP ●	Thin / Medium	Stainless	1.2 mm(.047)	23-L	3465-12LV-23SO
Automatic	LVMP ●	Thin / Medium	Stainless	1.4 mm (.055)	23-L	3465-14LV-23SO
Automatic	LVMP ●	Medium	Stainless	1.6 mm (.063)	23-L	3465-16LV-23SO
Automatic	LVMP ●	Thin / Medium	Stainless	.85 mm	25-L	3465-85LV-25SO
Automatic	LVMP ●	Thin / Medium	Stainless	1.0 mm	25-L	3465-10LV-25SO
Automatic	LVMP ●	Thin / Medium	Stainless	1.2 mm	25-L	3465-12LV-25SO
Automatic	LVMP ●	Thin / Medium	Stainless	1.4 mm	25-L	3465-14LV-25SO
Automatic	Conventional ●	Thin	Stainless	1.0 mm (.040)	11-C	3465-10CN-11SO
Automatic	Conventional ●	Thin / Medium	Stainless	1.2 mm(.047)	11-C	3465-12CN-11SO
Automatic	Conventional ●	Thin / Medium	Stainless	1.4 mm (.055)	11-C	3465-14CN-11SO
Automatic	Conventional ●	Medium / Heavy	Stainless	1.8 mm (.070)	11-C	3465-18CN-11SO
Automatic	Conventional ●	Heavy	Stainless	2.0 mm (.079)	14-C	3465-20CN-14SO
Automatic	Conventional ●	Heavy	Stainless	2.2 mm (.087)	14-C	3465-22CN-14SO

TROPHY SERIES

Application Versatility • Robust Design • Ergonomics

Why We Took Ergonomics So Seriously

Binks Trophy Series Spray Guns feel different by design. They're lighter and are easier to handle over longer periods of time. That means operators can spray for longer periods with less fatigue and injury. This can make a big difference to productivity and your bottom line. That's why we take ergonomics so seriously.



BINKS TROPHY SERIES GUNS ARE:

- 1 Light Weight** – one of the lightest spray guns in the industry.
- 2 Designed To The Hand** – our gun designers tested a variety of hands and grips to come up with the ideal design for the Trophy. The form is ultimately about function and reduced stress.
- 3 Trigger Pull** – the easy trigger pull action is created by the unique, built-in stabilization features.
- 4 No Kick Air Valve** – delivers the smoothest trigger pull on the market. Virtually eliminates any recoil from triggering.
- 5 Knobs And Air Cap Rings** – all the hand adjustments have been designed and manufactured to make it nearly effortless to dial in on your settings or remove parts for maintenance or substitution.

TROPHY SERIES

Application Versatility • Robust Design • Ergonomics

COATING TYPES AND APPLICATIONS

From wood to metals to ceramics and more, Binks Trophy Series Spray Equipment can handle your coating needs from start to finish.

Binks Trophy Series Equipment provides all the utility and versatility you need to develop your production plan and execute it with complete confidence.



Each gun can be configured with the appropriate needle and nozzle to accommodate the coating, size of part and type of surface to be finished.

METAL

Trophy Series Spray Guns are your go-to guns regardless of what kind of metal parts you're painting. You'll get high quality coating performance out of...

Urethanes

Latex

Two-component materials

Epoxies

TROPHY SERIES

Application Versatility • Robust Design • Ergonomics



Fluid Nozzles and Needles

Binks Trophy Series Spray Guns can be outfitted with a variety of fluid tips designed and manufactured to handle a broad range of application materials. **These include:**

FLUID TIP

Our stainless steel fluid nozzles are hardened and last 20% longer.*

The stainless steel fluid nozzles are used for general purpose and a wide variety of coatings.

Size range: .5 to 2.6 (mm)

PLASTIC

Plastic needles are typically used for very thin materials including NGR stains.

Size Range: .5 to 2.6 (mm)

TUNGSTEN CARBIDE

Tungsten carbide nozzles and needles are typically used for abrasive materials such as porcelain and ceramics.

Sizes: 1.4, 1.8, 2.2, 2.6 (mm)

*Based on internal testing of existing Binks and competitor stainless steel. Tested over 1 million cycles.

Finishing At The Front:

Trophy Series Air Caps Attain Industry Leadership

Binks engineering has developed a broad selection of air caps to ensure our ability to provide customers with the right gun with the perfect air cap for the job. The new air cap designs provide uniform spray patterns with consistent atomization from top to bottom.

AIR CAPS AT A GLANCE:

	HVLP	LVMP	CONVENTIONAL
Transfer Efficiency	Meets Regulatory Standards	Equal to or better than HVLP	Less than HVLP and LVMP
Fluid Flow	Good	Better	Best
Tip Range	.85mm to 1.8mm	.5mm to 1.8mm	1.0mm to 2.6mm
			
Air cap CFM	31-H 10.5 @ 10 PSI 32-H 15.5 @ 10 PSI 33-H 11.0 @ 10 PSI 39-H 8.75 @ 10 PSI C1 6.4 @ 10 PSI	22-L 11.2 @ 30 PSI 23-L 10.6 @ 30 PSI 25-L 14.7 @ 30 PSI B1 7.8 @ 30 PSI	11-C 14.2 @ 50 PSI 12-C 12.1 @ 50 PSI 14-C 24.4 @ 50 PSI 16 7.8 @ 50 PSI
	PSI's are specified at the cap	PSI's are specified at the gun inlet	

TROPHY SERIES

Application Versatility • Robust Design • Ergonomics



WOOD

Wood surfaces can be expertly finished with Trophy guns designed specifically to handle...

Toners

Stains

NGR Stains

Topcoats

TRANSPORTATION

Class A finishes for cars, trailers, trucks, buses, airplanes, helicopters and more are delivered with Trophy Series Spray Guns. You'll get the atomization for optimum spraying...

Primers

Base Coats

Clear Coats

Aerospace specific coatings

SPECIAL COATINGS

Trophy Series Spray Guns and accompanying air caps are fully capable of handling a broad array of coatings and adhesives...

Waterborne lacquers, UV materials and paints

Adhesives for furniture, packaging and automotive applications

High Wear enamels, ceramics, metallics, high solids

TROPHY GUN OUTFITS

	GENERAL REPAIR KIT	NEEDLE PACKING KIT	AIR VALVE KIT	SIDE PORT VALVE REPAIR KIT	BAFFLE/SEPARATOR KIT	PISTON O-RING KIT
Full Size	54-6135	54-6130-K	54-6131-K	GTI-428-K5	54-6102-K3	N/A
Touch Up	54-6136	54-6130-K	54-6131-K	GTI-428-K5	54-6215-K5	N/A
Automatic	N/A	54-6319	N/A	GTI-428-K5	54-6102-K3	54-6328-K3

Reference service manuals for kit components and complete list of replacement parts

TROPHY GUN OUTFITS

	TYPE	OUTFIT NO.	CONTENTS
Gravity Gun Kit	Gravity HVLP	2466-HV1	2466-14HV-32SG with extra 1.2mm and 1.8mm fluid tips
Gravity Gun Kit	Gravity LVMP	2466-LV1	2466-14LV-23SG with extra 1.2mm and 1.8mm fluid tips
Pressure Gun Kit	Pressure HVLP	2465-HV1	2465-14HV-32SO with extra 1.0mm and 1.8mm fluid tips
Pressure Gun Kit	Pressure LVMP	2465-LV1	2465-14LV-23SO with extra 1.0mm and 1.8mm fluid tips
Pressure Gun Kit	Pressure CONV	2465-CN1	2465-14CN-11SO with extra 1.0mm and 1.8mm fluid tips
2.8 Gallon Tank	Pressure HVLP	98-3156	2.8 Gallon Galvanized Pressure Tank (83C-220), Trophy Gun with 1.4mm tip (2465-14HV-32SO), 25' Fluidall fluid hose (71-3383), 25' ErgoFlex air hose (71-31101), and 15' premium air hose (71-1203)
2.8 Gallon Tank	Pressure LVMP	98-3157	2.8 Gallon Galvanized Pressure Tank (83C-220), Trophy Gun with 1.4mm tip (2465-14LV-23SO), 25' Fluidall fluid hose (71-3383), 25' ErgoFlex air hose (71-31101), and 15' premium air hose (71-1203)
2 QT Pressure Cup	Pressure TouchUp HVLP	98-3158	2 QT Pressure Cup (80-295), Trophy TouchUp gun with 1.2mm tip (1465-12HV-CIS), and 6' fluid/air hose set (KB-4006)
55 Gallon Piston Pump	Pressure CONV	98-3063	Pogo Plus Piston Pump (PX1304-5U), Trophy Gun with 1.8mm tip (2465-18CN-11SO), Air Control (41-28272), 28' Air Hose (71-4803), 25' Fluidall Hose (71-3303), Drum Bung Adaptor (41-28331)
DX70 Diaphragm 5 Gallon Pail Mount	Pressure HVLP	98-3221	DX70 Diaphragm Pump (DX70R3-PF), Trophy HVLP Gun Kit (2465-HV1), 25' Air/Fluid Hose Set (6-438)
DX70 Diaphragm 5 Gallon Cart Mount	Pressure HVLP	98-3226	DX70 Diaphragm Pump (DX70R3-CF), Trophy HVLP Gun Kit (2465-HV1), 25' Air/Fluid Hose Set (6-438)
DX70 Diaphragm 5 Gallon Tripod Mount	Pressure HVLP	98-3227	DX70 Diaphragm Pump (DX70R3-TF), Trophy HVLP Gun Kit (2465-HV1), 25' Air/Fluid Hose Set (6-438)
DX70 Diaphragm 5 Gallon Wall Mount	Pressure HVLP	98-3228	DX70 Diaphragm Pump (DX70R3-WF), Trophy HVLP Gun Kit (2465-HV1), 25' Air/Fluid Hose Set (6-438)
Gemini II Diaphragm 5 Gallon Pail Mount w/ Agitator	Pressure LVMP	98-3202	Gemini II 1/2" Acetal Short Stroke Package (GEM2-P2D1D60), Trophy Gun w/ 1.4mm Tip (2465-14LV-23SO)
Gemini II Diaphragm 5 Gallon Pail Mount	Pressure LVMP	98-3207	Gemini II 1/2" Acetal Short Stroke Package (GEM2-P2D1O60), Trophy Gun w/ 1.4mm Tip (2465-14LV-23SO)
Gemini II Diaphragm 55 Gallon Wall Mount	Pressure HVLP	98-3215	Gemini II 1/2" Acetal Short Stroke Package (GEM2-W2D3080), Trophy Gun w/ 1.4mm Tip (2465-14HV-32SO)

For additional Gemini II and DX70 outfits refer to Fluid Handling Products Catalog A41-114

AIR CAP TEST KITS

HVLP	LVMP	CONVENTIONAL
54-6151-K	54-6146-K	54-6140-K
54-6152-K	54-6147-K	54-6141-K
54-6153-K	54-6149-K	54-6142-K
54-6154-K	22-L Kit	11-C Kit
54-6226	23-L Kit	12-C Kit
31-H Kit	25-L Kit	14-C Kit
32-H Kit		
33-H Kit		
39-H Kit		
CI Touch Up		



SOLUTIONS FOR YOUR WORLD

www.carlisleleft.com

World Class Manufacturers of: | Process Controls | Curing & Conveying
Electrostatics | Fluid Handling | Powder Coating | Atomization

Carlisle Fluid Technologies US
16430 N. Scottsdale Road, Suite 450
Scottsdale, AZ 85254

Tel: 1-800-992-4657
Fax: 877-790-6965
Email: ghcustserv@carlisleleft.com