

AlITEKNA Models Feature

QUICKCLEAN™

Fastest Cleaning Spray Gun

Coating has non-stick properties

Fully Coated Inside

- High corrosion resistance reduces paint defects
- All passages protected
- A must for waterborne



TEKNA® QuickClean™

Competitor

Fully Coated Outside

- Extremely durable
- Looks newer longer
- Scratch resistant



TEKNA® QuickClean™

Competitor

Sales and Service through our Global Network of Distributors

Finishing Brands Offices

Americas: USA ▪ Mexico ▪ Brazil

Europe/Asia/Africa: United Kingdom ▪ France ▪ Germany ▪ India

Pacific Rim: China ▪ Japan ▪ Australia

DEVILBISS®
www.devilbiss.com
1-800-992-4657

CARLISLE
FLUID TECHNOLOGIES



©2016 Carlisle Fluid Technologies, Inc., dba Finishing Brands
©Devilbiss, Ransburg, MS, BGK and Binks are registered trademarks of Carlisle Fluid Technologies, Inc., dba Finishing Brands
Models and specifications subject to change without notice. All rights reserved.

I-2307 3-16

TEKNA®
PROLITE

DEVILBISS®



Optimized
Performance
**For Advanced
Atomization**



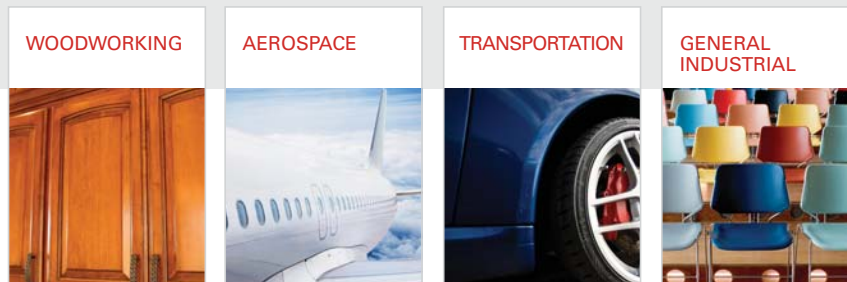
Advanced Atomization Technology For Fine Finishing Applications

- High transfer efficiency for increased material savings
- HVLP and High Efficiency Air Caps designed for Class A finishes
- Uniform spray pattern yields optimum metallic control



Air Cap Selection Guide

	Gravity & Pressure Feed			Pressure Feed Only	
	TE10	TE20	HV30	TE40	HV40
Model No.	PRO-103-TE10	PRO-103-TE20	PRO-103-HV30	PRO-103-TE40	PRO-103-HV40
Technology	High Efficiency	High Efficiency	HVLP	High Efficiency	HVLP
Pattern Size	10–12" long	10–12" long	12–14" long	11–13" long	11–13" long
Typical Fluid Flow - oz./min	5-12	5-12	5-12	5-16	5-12
Air Consumption	7.5-11 CFM	12-19 CFM	16.5 CFM @ 10 PSI Air Cap	13-19 CFM	17 PSI @ 10.5 CFM



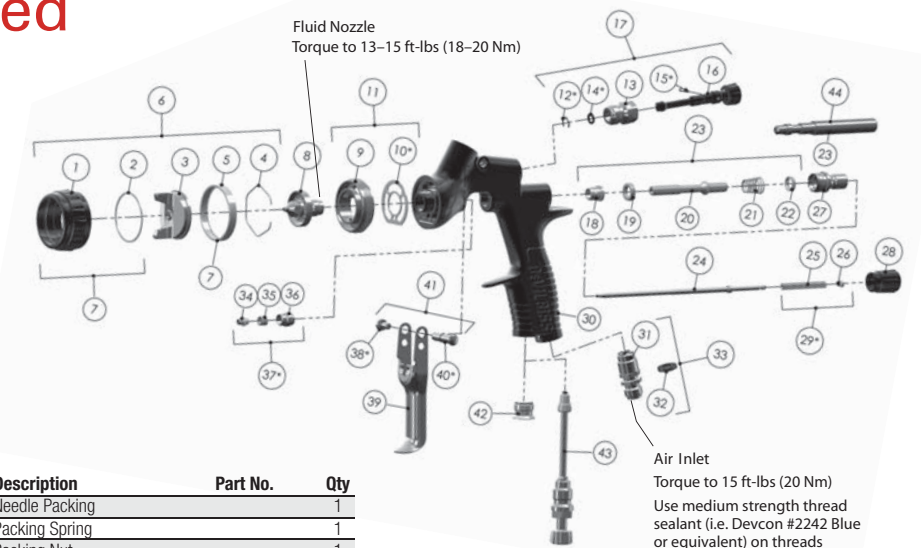
Typical Applications Include:
Wood, General Industrial, Metal, Plastic, Aerospace, Leather, Military, Decorative, Construction, Light Marine

TEKNA ProLite Models Are Compatible With Both Waterborne And Solvent Borne Coatings



TEKNA Gravity Feed

Ref. No.	Description	Part No.	Qty
1	Air Cap Retaining Ring		1
2	Slip Ring		1
3	Air Cap		1
4	Air Cap Retaining Clip	JGA-156-K10	1
5	Retaining Ring Seal		1
6	Air Cap & Ring	See Air Cap Selection Guide	1
7	Air Cap Retaining Ring & Seals	702725	1
8	Fluid Nozzle	See chart 1	1
9	Spray Head		1
*10	Spray Head Seal	702726	1
11	Spray Head Kit	SN-69-K	1
*12	Circlip		1
13	Valve Body		1
*14	O Ring		1
*15	Spreader Valve Pin		1
16	Spreader Valve Adjusting Knob		1
17	Spreader Valve Assembly	702730	1
18	Front Valve Seal		1
19	Valve Seat		1
20	Spindle		1
21	Air Valve Spring		1
22	Rear Valve Seal		1
23	Air Valve Kit	703530	1
24	Fluid Needle	PRO-301-K	1
25	Needle Spring		1
26	Spring Pad		1
27	Housing & Seal Kit	SN-66-K	1
28	Fluid Adjusting Knob	SN-67-BL-K	1
*29	Needle Spring Kit	PRO-472-K3	1
30	Gun Body		1
31	Air Inlet		1
32	Color ID Ring Kit (4 Colors)	702735	1
33	Air Inlet Kit	702734	1



Ref. No.	Description	Part No.	Qty
34	Needle Packing		1
35	Packing Spring		1
36	Packing Nut		1
*37	Packing, Spring and Packing Nut Kit	702731	1
*38	Trigger Screw		1
39	Trigger		1
*40	Trigger Stud		1
41	Trigger Stud & Screw Kit	SP-617-CR-K	1
42	Plug		1
43	Cheater Valve (optional)	702737	1
44	Air Valve Service Tool (only included in the Air Valve Kit 23)		1

SERVICE parts Part No.
 Spray Gun Repair Kit (includes items marked*) PRO-470
 Seal and Pin Kit, Kit of 5 (items 12, 14 and 15) GTI-428-K5

TEKNA Gravity Feed Model Numbers

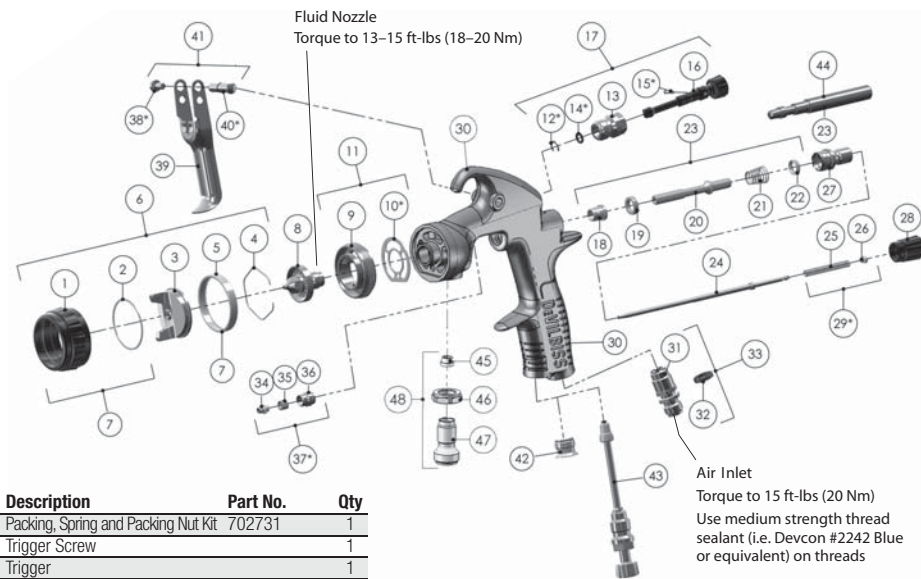
Model No.	Fluid Nozzles (mm)	Cup	Air Caps	Analog Gauge
303938	1.3, 1.4, 1.5	Yes	TE20, HV30	HAV-512
303937	1.2, 1.3, 1.4	Yes	TE10, TE20	HAV-512

CHART 1

Size (mm)	Fluid Nozzle
1.2	PRO-200-12-K
1.3	PRO-200-13-K
1.4	PRO-200-14-K
1.5	PRO-200-15-K

TEKNA Pressure Feed

Ref. No.	Description	Part No.	Qty
1	Air Cap Retaining Ring		1
2	Slip Ring		1
3	Air Cap		1
4	Air Cap Retaining Clip	JGA-156-K10	1
5	Retaining Ring Seal		1
6	Air Cap & Ring	See Air Cap Selection Guide	1
7	Air Cap Retaining Ring & Seals	702725	1
8	Fluid Nozzle	See Chart 2	1
9	Spray Head		1
*10	Spray Head Seal	702726	1
11	Spray Head Kit	SN-69-K	1
*12	Circlip		1
13	Valve Body		1
*14	O Ring		1
*15	Spreader Valve Pin		1
16	Spreader Valve Adjusting Knob		1
17	Spreader Valve Assembly	PRO-408-BL-K	1
18	Front Valve Seal		1
19	Valve Seat		1
20	Spindle		1
21	Air Valve Spring		1
22	Rear Valve Seal		1
23	Air Valve Kit 703530		1
24	Fluid Needle	See Chart 2	1
25	Needle Spring		1
26	Spring Pad		1
27	Housing & Seal Kit	SN-66-K	1
28	Fluid Adjusting Knob	SN-67-BL-K	1
*29	Needle Spring Kit	PRO-472-K3	1
30	Gun Body		1
31	Air Inlet		1
32	Color ID Ring Kit (4 Colors)	702735	1
33	Air Inlet Kit	702734	1
34	Needle Packing		1
35	Packing Spring		1
36	Packing Nut		1



Ref. No.	Description	Part No.	Qty
*37	Packing, Spring and Packing Nut Kit	702731	1
*38	Trigger Screw		1
39	Trigger		1
*40	Trigger Stud		1
41	Trigger Stud & Screw Kit	SP-617-CR-K	1
42	Plug		1
43	Cheater Valve (optional)	702737	1
44	Air Valve Service Tool (only included in the Air Valve Kit 23)		1
45	Seal		1
46	Lock Nut		1
47	Fluid Inlet		1
48	Fluid Inlet Kit	ADV-7-K	1

SERVICE parts Part No.
 Spray Gun Repair Kit (includes items marked *) PRO-470
 Seal and Pin Kit, Kit of 5 (items 12, 14 and 15) GTI-428-K5

TEKNA Pressure Feed Model Number

Model No.	Fluid Nozzles (mm)	Cup Type	Air Caps	Analog Gauge
303939	1.0, 1.2, 1.4	None	TE40, HV40	HAV-512

CHART 2

Size (mm)	Fluid Nozzle	Fluid Needle
1.0	PRO-205-10-K	PRO-320-085-10-K
1.2	PRO-205-12-K	PRO-320-12-14-K
1.4	PRO-205-14-K	PRO-320-12-14-K

