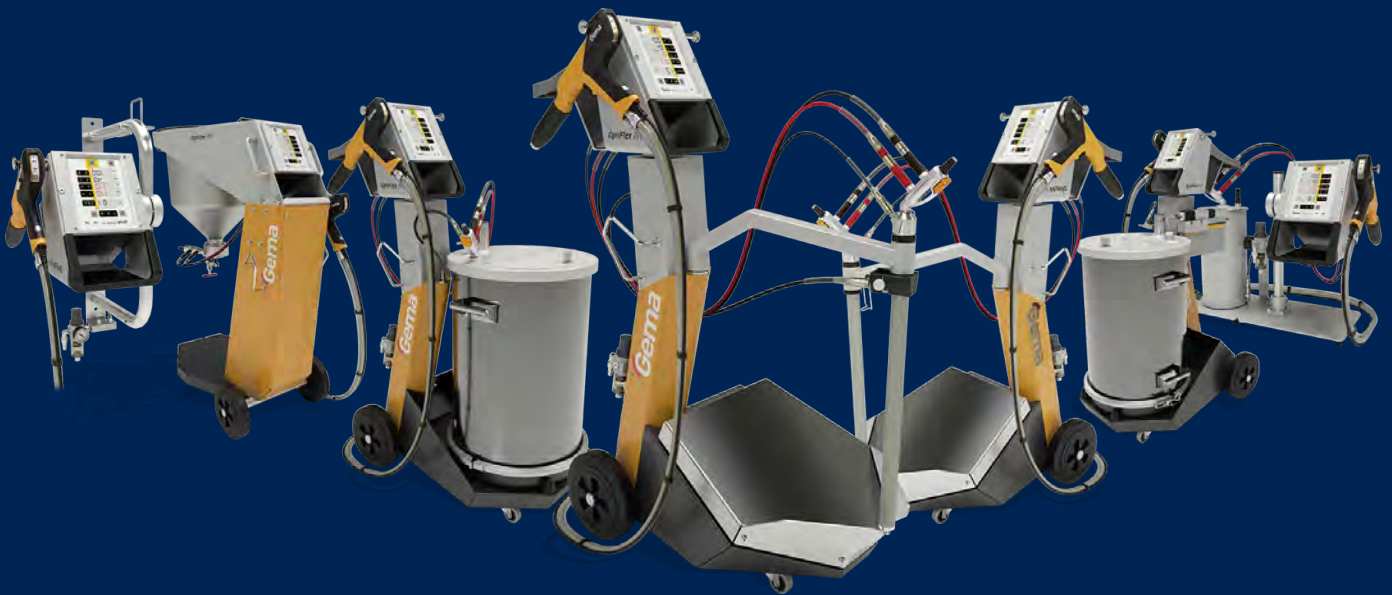




The Global Leader in
Powder Coating Technology

OptiFlex Pro[®]

Part Identification



Note:

*All other parts identification documentation is found in the Gema OptiFlex Pro Service Manual.
This document is intended for use by authorized Gema USA Inc. Distributors only.*

OptiFlex Pro B – Spare parts list

1	OptiStar CG21 gun control unit – complete (see corresponding operating manual)	
2	OptiSelect Pro GM04 Manual powder gun – complete (see corresponding user manual)	
3	OptiFlow IG07 injector – complete (see corresponding user manual)	
4	Pneumatic connection for supplementary air – complete (incl. Pos. 4.1, 4.2 and 4.3)	1008 029
4.1	Quick release connection – NW5, Ø 8 mm, black	261 637
4.2	Nut with kink protection – M12x1 mm, Ø 8 mm	201 316
4.3	Plastic tube – Ø 8/6 mm, black	1008 038*
5	Pneumatic connection for conveying air – complete (incl. Pos. 5.1, 5.2, 5.3)	1008 030
5.1	Quick release connection – NW5, Ø 8 mm, red	261 645
5.2	Nut with kink protection – M12x1 mm, Ø 8 mm	201 316
5.3	Plastic tube – Ø 8/6 mm, red	103 500*
6	Pneumatic connection for conveying air – complete (incl. Pos. 6.1, 6.2 and 6.3)	1008 031
6.1	Quick release connection – NW5, Ø 6 mm	200 840
6.2	Nut with kink protection – M10x1 mm, Ø 6 mm	201 308
6.3	Plastic tube – Ø 6/4 mm, black	1001 973*
7	Fluidizing/suction unit – complete (see corresponding spare parts list)	1009 679
8	Swivel wheel – Ø 50 mm	260 606
9	Rubber damper – Ø 20x25 mm, M6/2 mm	246 000
10	Spacing ring	375 624
11	Vibrator – 220–240 V, 50 Hz, 1.6 m	1008 919
	Vibrator – 110 V, 50 Hz, 1.6 m	1008 920
	Vibrator – 120 V, 60 Hz, 1.6 m	1008 921
12	Rubber wheel – Ø 200 mm	260 592
13	Hose clamp – Ø 15-18 mm	203 386
14	Quick release connection – NW7.8 – Ø 10 mm	239 267
15	Pneumatic group – complete (see corresponding spare parts list)	
16	Hose holder – right	1017 842
	Hose holder – left	1017 843
17	Grounding cable – complete	301 140
18	Power cable – country-specific	
20	Powder hose – Ø 15/10 mm, 6 m	1001 673*#
21	Spare parts kit – consisting of:	
	Cartridge – complete (1x)	1016 561
	O-ring – Ø 16x2 mm (2x)	1007 794
	Multi-Tool for OptiFlow IG07 (1x)	1017 201
	Cable tie (6x)	200 719
22	Short instructions (not shown)	1017 907
23	Operating instructions (not shown)	1017 931

* Please indicate length

Wearing part

OptiFlex Pro B – Spare parts

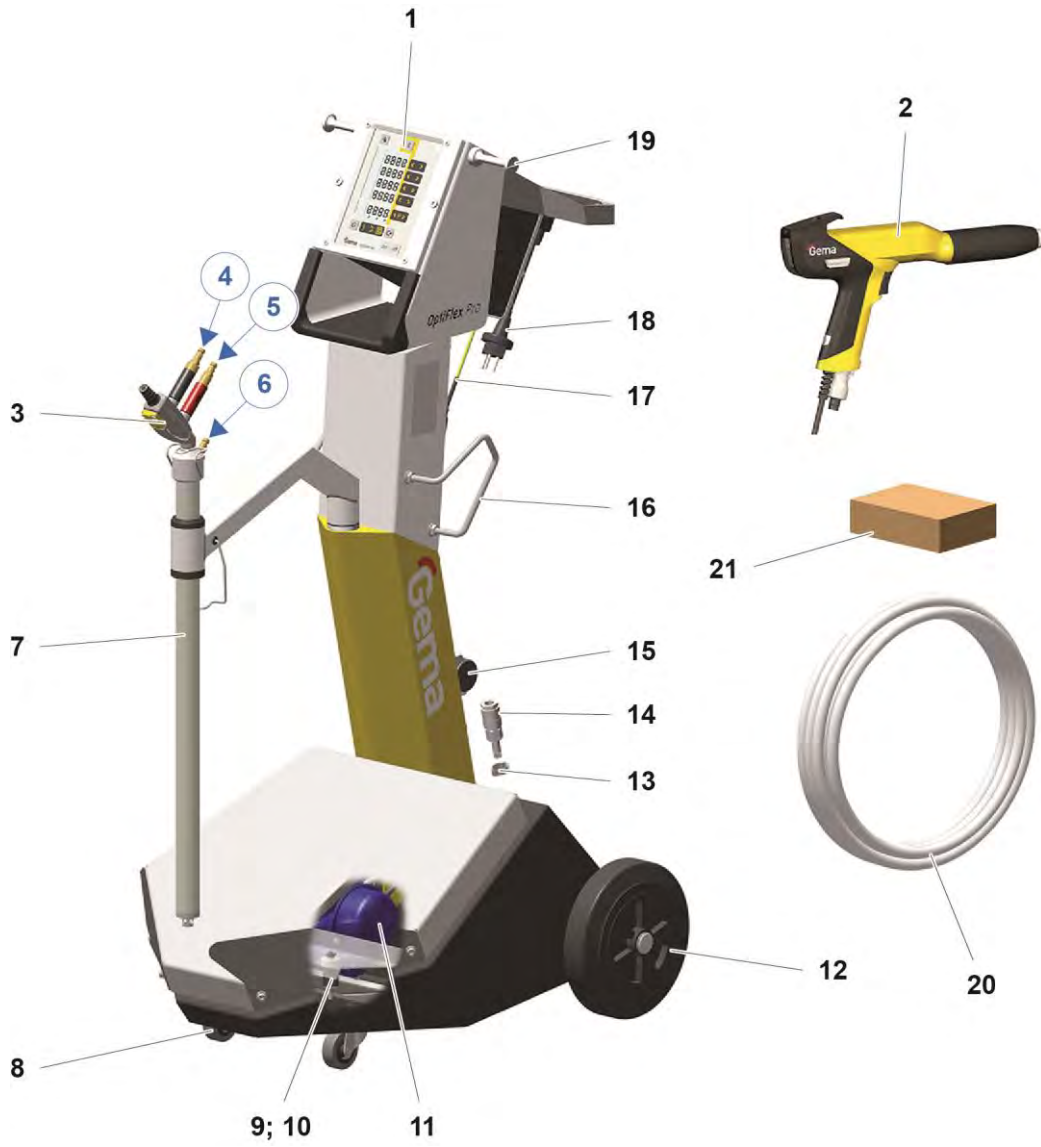


fig. 10:

Fluidizing/suction unit

	Fluidizing/suction unit – complete (pos. 1-10)	1009 679
2	Retaining bracket	1009 524
3	O-ring – Ø 15x1.5 mm	261 564#
4	O-ring – Ø 26x2 mm	246 549#
5	O-ring – Ø 27x3 mm	1007 121#
6	Internal tube	1007 516#
7	O-ring – Ø 24x2 mm	230 480#
8	Fluidizing ring	1007 514#
9	Foot piece	1007 511
10	Connector with flow restrictor – Ø 0.3 mm	1006 556
11	Guide sleeve	1007 094
12	Locknut – M36x1.5 mm	1007 095
13	Retaining bracket	1008 083
14	Cable bush – Ø 4/8/1.5 mm	265 276
15	Bearing bush	1017 813
16	O-ring – Ø 20x2 mm	1017 809#
A	Pneumatic connection for fluidizing air – complete (not shown):	1008 031
	Quick release connection – NW5, Ø 6 mm	200 840
	Nut with kink protection – M10x1 mm, Ø 6 mm	201 308
	Plastic tube – Ø 6/4 mm, black	1001 973

* Please indicate length

Wearing part

Fluidizing/suction tube – spare parts

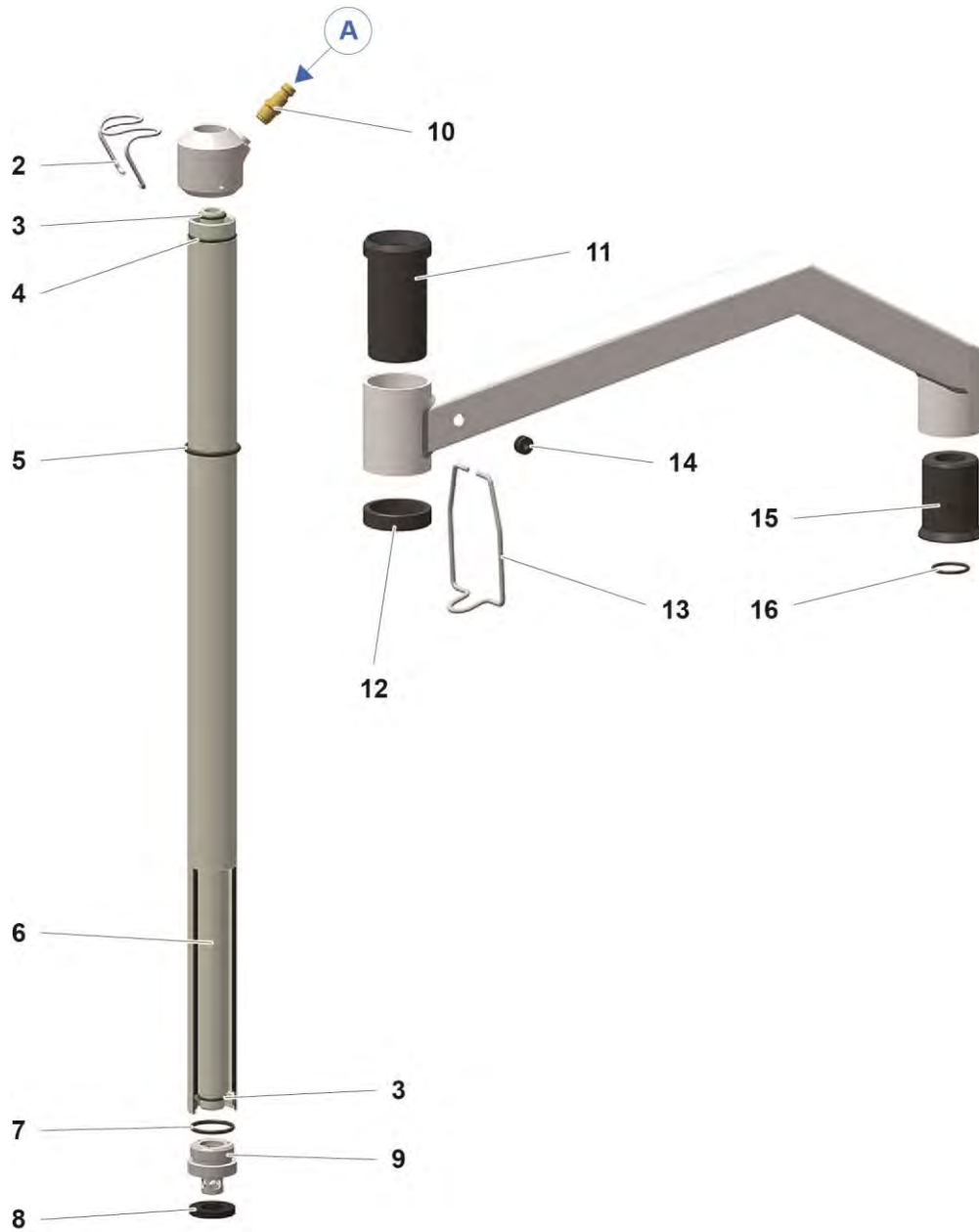


fig. 11: Fluidizing/suction tube – spare parts

OptiFlex Pro F – Spare parts list

1	OptiStar CG21 gun control unit – complete (see corresponding operating manual)	
2	OptiSelect Pro GM04 Manual powder gun – complete (see corresponding user manual)	
3	OptiFlow IG07 injector – complete (see corresponding user manual)	
4	Pneumatic connection for supplementary air – complete (incl. Pos. 4.1, 4.2 and 4.3)	1008 029
4.1	Quick release connection – NW5, Ø 8 mm, black	261 637
4.2	Nut with kink protection – M12x1 mm, Ø 8 mm	201 316
4.3	Plastic tube – Ø 8/6 mm, black	1008 038*
5	Pneumatic connection for conveying air – complete (incl. Pos. 5.1, 5.2, 5.3)	1008 030
5.1	Quick release connection – NW5, Ø 8 mm, red	261 645
5.2	Nut with kink protection – M12x1 mm, Ø 8 mm	201 316
5.3	Plastic tube – Ø 8/6 mm, red	103 500*
6	Pneumatic connection for Airmover – complete (incl. Pos. 6.1, 6.2 and 6.3)	1017 902
6.1	Quick release connection – NW5, Ø 8 mm	203 181
6.2	Nut with kink protection – M12x1 mm, Ø 8 mm	201 316
6.3	Plastic tube – Ø 8/6 mm, black	1008 038*
7	HF05-50 powder hopper – complete (see corresponding spare parts list)	1017 900
8	Swivel wheel – Ø 50 mm	260 606
9	Pneumatic connection for conveying air – complete (incl. Pos. 9.1, 9.2 and 9.3)	1008 035
9.1	Quick release connection – NW5, Ø 6 mm	200 840
9.2	Nut with kink protection – M10x1 mm, Ø 6 mm	201 308
9.3	Plastic tube – Ø 6/4 mm, black	1001 973*
10	Rubber buffer – Ø 35x40 mm, M8	211 664
12	Rubber wheel – Ø 200 mm	260 592
13	Hose clamp – Ø 15-18 mm	203 386
14	Quick release connection – NW7.8 – Ø 10 mm	239 267
15	Pneumatic group – complete (see corresponding spare parts list)	
16	Hose holder – right	1017 842
	Hose holder – left	1017 843
17	Grounding cable – complete	301 140
18	Power cable – country-specific	
20	Powder hose – Ø 15/10 mm, 6 m	1001 673*#
21	Spare parts kit – consisting of:	
	Cartridge – complete (1x)	1016 561
	O-ring – Ø 16x2 mm (2x)	1007 794
	Multi-Tool for OptiFlow IG07 (1x)	1017 201
	Cable tie (6x)	200 719
22	Short instructions (not shown)	1017 907
23	Operating instructions (not shown)	1017 933

* Please indicate length

Wearing part

OptiFlex Pro F – Spare parts



fig. 10:

Powder hopper HF05-50 – Spare parts list

A	Powder hopper – complete (without pos. 23-25)	1017 899
B	Bottom section – complete (pos. 5-14)	1017 898
1	Locknut – PG21	234 869
2	Container cover – complete	1017 896
3	O-ring – Ø 28.3x1.78 mm	224 987
4	Suction tube – complete, L=504 mm (incl. pos. 3)	1009 063#
5	Hopper body	
6	Fluidizing plate	390 151
7	Fluidizing plate gasket	390 186
8	Clamp ring	390 194
9	Bottom plate	1007 125
10	Sealing ring – Ø 10.2/17x3.8 mm	230 626
11	Elbow screw connection – 1/8"-1/8"	1001 079
12	Flow restrictor – Ø 1.4 mm	371 912
13	Connector – NW5, 1/8"	200 859
14	Protective strip	103 837
15	Blind grommet – Ø 36x12 mm	238 333
16	Locknut	342 343
17	O-ring – Ø 38x4 mm	239 151
	Venting tube (Airmover) – complete (incl. pos. 16-22)	1002 043
18	Venting tube	375 845
19	Double nipple – 1/8"-1/8"	202 258
20	Ball valve	260 967
21	Connector – NW5-1/8"	237 272
22	Throttle valve – 1/8"-1/8"	1002 127
23	Pneumatic connection for Airmover – complete (incl. Pos. 23.1, 23.2 and 23.3)	1017 902
23.1	Quick release connection – NW5, Ø 8 mm	203 181
23.2	Nut with kink protection – M12x1 mm, Ø 8 mm	201 316
23.3	Plastic tube – Ø 8/6 mm, black	1008 038*
24	Spiral hose – Ø 40/45 mm (not shown)	100 048*
25	Pneumatic connection for conveying air – complete (incl. Pos. 25.1, 25.2 and 25.3)	1008 035
25.1	Quick release connection – NW5, Ø 6 mm	200 840
25.2	Nut with kink protection – M10x1 mm, Ø 6 mm	201 308
25.3	Plastic tube – Ø 6/4 mm, black	1001 973*

* Please indicate length

Wearing part

Powder hopper HF05-50 – Spare parts

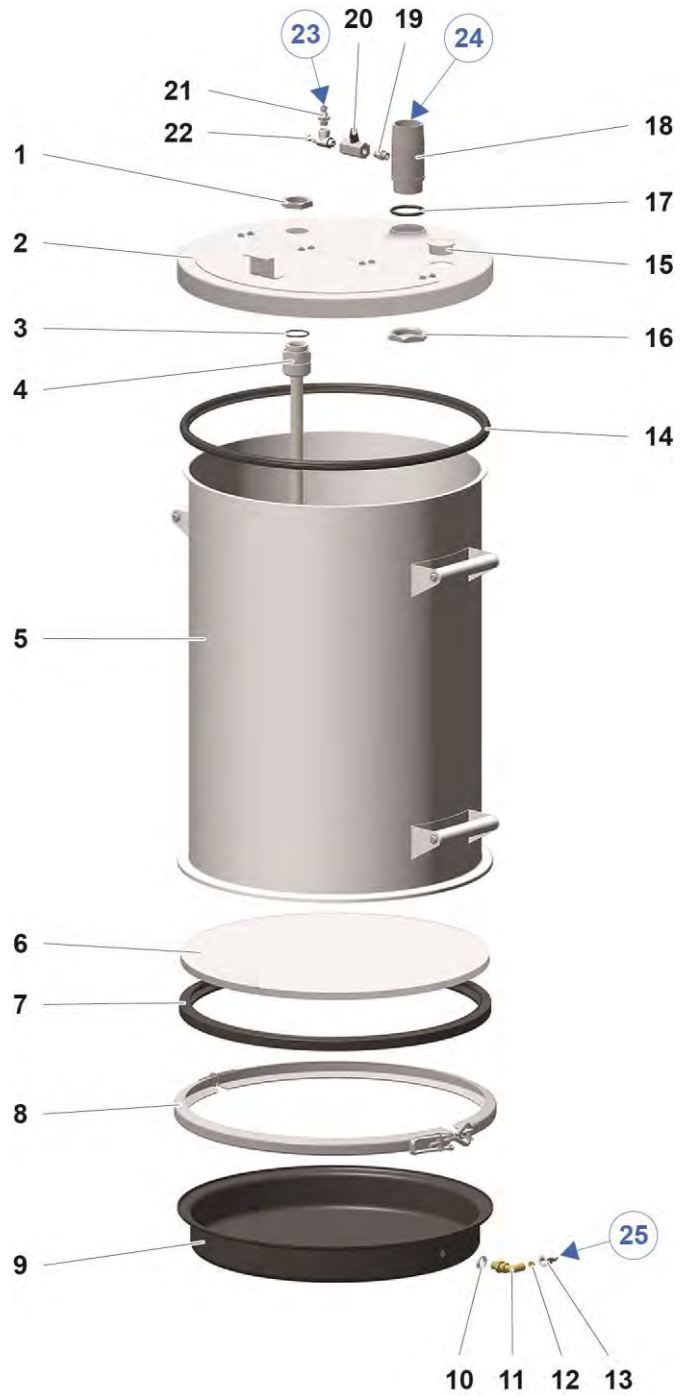


fig. 11: HF05-50 Powder Hopper

OptiFlex Pro W – Spare parts list

1	OptiStar CG21 gun control unit – complete (see corresponding operating manual)	
2	OptiSelect Pro GM04 Manual powder gun – complete (see corresponding user manual)	
3	OptiFlow IG07 injector – complete (see corresponding user manual)	
4	Pneumatic connection for supplementary air	
4.1	Quick release connection – NW5, Ø 8 mm, black	261 637
4.2	Nut with kink protection – M12x1 mm, Ø 8 mm	201 316
4.3	Plastic tube – Ø 8/6 mm, black	1008 038*
5	Pneumatic connection for conveying air	
5.1	Quick release connection – NW5, Ø 8 mm, red	261 645
5.2	Nut with kink protection – M12x1 mm, Ø 8 mm	201 316
5.3	Plastic tube – Ø 8/6 mm, red	103 500*
6	Kink protection	1008 844
7	Locknut – PG21	234 869
8	Suction tube – complete, L=504 mm (incl. pos. 9)	1009 063#
9	O-ring – Ø 28.3x1.78 mm	224 987
10	Pneumatic group – complete (see corresponding spare parts list)	
11	Quick release connection – NW7.8 – Ø 10 mm	239 267
12	Hose clamp – Ø 15-18 mm	203 386
13	Plastic tube – Ø 8/6 mm, black	103 152*
14	Grounding cable – complete	301 140
15	Powder hose – dia. 15/10 mm	1001 673*#
16	Spare parts kit – consisting of:	
	Cartridge – complete (1x)	1016 561
	O-ring – Ø 16x2 mm (2x)	1007 794
	Multi-Tool for OptiFlow IG07 (1x)	1017 201
	Cable tie (6x)	200 719
17	Power cable – country-specific (not shown)	
18	Short instructions (not shown)	1017 907
19	Operating instructions (not shown)	1018 957

* Please indicate length

Wearing part

OptiFlex Pro W – Spare parts

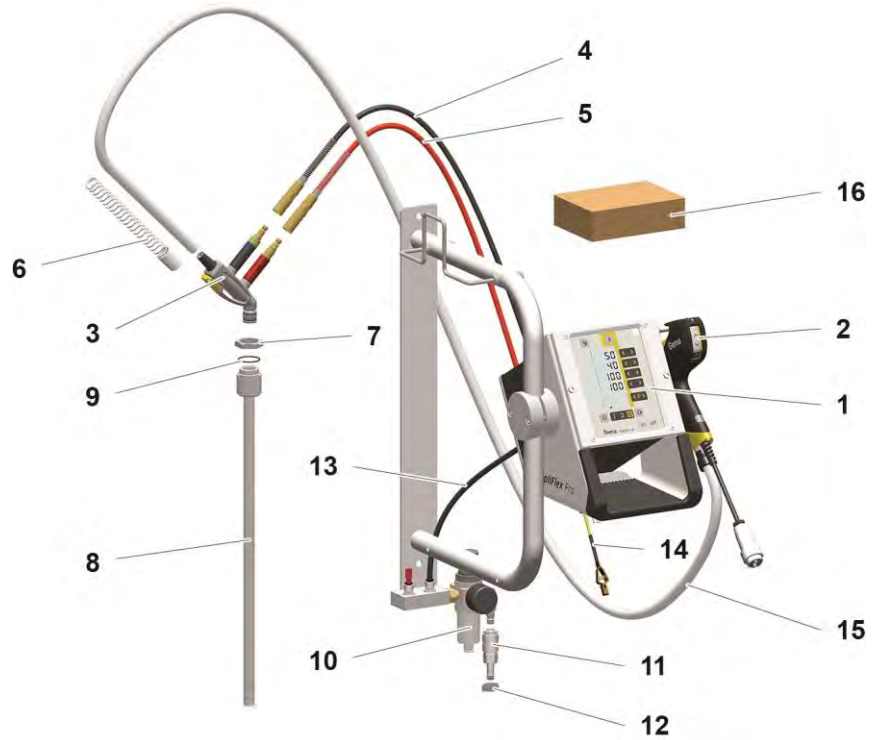


fig. 8:

OptiSelect Pro GM04 – spare parts list



Only parts were included in the spare parts list, which the user can replace himself without problems!

- ▶ If the powder gun cable is defective, it is to be completely sent in for repair!

A	OptiSelect Pro GM04 manual powder gun – complete incl. flat jet nozzle, brush and parts kit, without powder hose, with:	
	gun cable 6 m, rinsing air hose 6 m, negative polarity (-)	1016 971
	gun cable 12 m, rinsing air hose 12 m, negative polarity (-)	1016 972
	gun cable 6 m, rinsing air hose 6 m, positive polarity (+)	1016 973
	gun cable 12 m, rinsing air hose 12 m, positive polarity (+)	1016 974
B	Manual powder gun shaft OptiSelect Pro GM04 (incl. cascade) with:	
	Gun cable 6 m, negative polarity (-)	1018 700
	Gun cable 12 m, negative polarity (-)	1018 701
	Gun cable 6 m, positive polarity (+)	1018 702
	Gun cable 12 m, positive polarity (+)	1018 703
1	Gun body – complete	1017 680
2	Cascade – complete, negative polarity, incl. pos. 3	1016 911
	Cascade – complete, positive polarity, incl. pos. 3	1016 912
3	Buffer	1017 704
4	Print holder – complete	1017 690
5	Rear part	1017 683
6	Trigger – complete	1017 686
7	Trigger cover	1017 688
8	Countersunk-head screw – M4x6 mm	1017 698
9	SuperCorona connection	1017 684
10	Gun cable 6 m – complete	1016 952
	Gun cable 12 m – complete	1016 953
11	Rinsing air connection	1017 656
11.1	Rinsing air hose	100 854*
12	Powder tube – complete	1007 958 #
13	Compression spring	1001 488
14	Clip ring	1007 960
15	Hose connection Ø 11-12 mm – complete (incl. pos 15.1)	1001 340 #
	Hose connection Ø 9-10 mm – complete (incl. pos 15.1)	1002 030 #
15.1	O-ring for pos. 15	1000 822 #
16	Threaded sleeve (see corresponding spare parts list)	
17	Nozzle (see corresponding spare parts list)	
18	Cable lock	1017 685
19	Screw – M3x20 mm	1017 674
20	Contact strip	1018 707
21	Fitting bush	1018 708

Cleaning brush – Ø 12 mm (not shown)	389 765
Parts set (not shown), consisting of:	1008 302
Multi-spray adapter	1003 634#
Cable clamp	303 070
Hose connector – complete, for hose interior Ø 9-10 mm	1002 030
Powder hose – Ø 10 mm (not shown)	1001 673*#
Powder hose – Ø 11 mm (not shown)	105 139*#













fig. 10: OptiSelect Pro GM04 – spare parts

NOZZLE ASSORTMENT for the OptiSelect® Pro (GM03) / OptiSelect® (GM04) and the OptiGun® (GA03)











Nozzle type		NF20	NF21	NF22	NF24	NF25 <i>(mini)</i>	NF26 <i>(mini)</i>	NF27	NF40 PowerBoost®	N504	N509 <i>(mini)</i>		
Gema No. with electrode holder		1'010'160	1'007'932	1'008'140	1'008'142	1'007'743	1'007'744	1'010'754	1'018'166	1'008'150	1'008'259		
	Gema No. without electrode holder (nozzle only)	1'010'090	1'007'935	1'008'145	1'008'147	1'007'735	1'007'742	1'010'752	1'018'165	1'008'151	1'008'257		
MultiSpray Adapter further matching accessories													
Powder cloud		1'003'634	1'003'634	1'003'634	1'003'897	1'003'634	1'003'634	1'003'634	X	331 341	331 333	331 325	345 822
		GM03/ GA03 GM04	GM03/ GA03 GM04	GM03/ GA03 GM04	GM03/ GA03 GM04	GM03/ GA03 GM04	GM03/ GA03 GM04	GM03/ GA03 GM04	GM03/ GA03 GM04	GM03/ GA03 GM04	GM03/ GA03 GM04	GM03/ GA03 GM04	GM03/ GA03 GM04
Gun Typ <i>applicable for</i>		GM03/ GA03 GM04	GM03/ GA03 GM04	GM03/ GA03 GM04	GM03/ GA03 GM04	GM03/ GA03 GM04	GM03/ GA03 GM04	GM03/ GA03 GM04	GM04	GM03/ GA03 GM04	GM03/ GA03 GM04	GM03/ GA03 GM04	GM03/ GA03 GM04
Application		Flat parts, profiles, manual applications	Complex parts deep recess, target spraying	Complex parts deep recess, target spraying, robot applications	Large objects, flat parts, manual applications as well as complex parts, when nozzle close to the object	Flat parts, profiles, manual applications	Complex parts deep recess, target spraying, robot applications	Profiles, complex parts, flat parts	Large objects, flat parts, manual applications as well as complex parts, when nozzle close to the object				
Powder cloud σ°/\varnothing		50°	30°	30°	65°	50°	30°	40°	60°	Ø 60 mm	Ø 90 mm	Ø 110 mm	Ø 200 mm
Performance speed <small>Air settings @ (4 Nm³/h)</small>		moderate – low	high	high	low	moderate – low	high	high – moderate	moderate – low	low	low	low	low
Reach distance <small>max. automatic application Air settings @ (4 Nm³/h)</small>		250 mm	400 mm	450 mm	200 mm	250 mm	450 mm	350 mm	250 mm	120 mm	160 mm	160 mm	180 mm
Remark					Only in combination with threaded sleeve Gema Nr. 1'008'326	In combination with extension Ø 25mm, reduced diameter to penetrate into cavities powder cloud like NF20	In combination with extension Ø 25mm, reduced diameter to penetrate into cavities powder cloud like NF22	Limitation: NF27 requires a minimal clearance between object and nozzle	Only in combination with threaded sleeve Gema Nr. 1'008'326				In combination with extension Ø 25mm, reduced diameter to penetrate into cavities





OptiFlex2 & OptiFlex Pro Spare Parts

Gema Flat Jet Nozzles					
Application	Nozzle	Electrode Holder	Complete Nozzle Kit	Threaded Sleeves	Multispray-Adapter
Standard 15mm Flat Jet (Profiles & Flat Parts)		Complete Electrode 1007683	NF20 1010160	1007229 	1003634 
			NF21 1007932		Multispray Adaptor not available for NF21
		Tip Only 1006860	NF24 1008142	1008326 	Multispray Adaptor not available for NF24
24mm Flat Jet (Wide flat spray for large surface areas)			NF40 1018166		Multispray Adaptor not available for NF40
Standard 40mm Flat Jet (Profiles & Flat Parts)					
Gema Round Jet Nozzles					
Application	Nozzle	Electrode Holder	Complete Nozzle Kit	Threaded sleeves	Deflectors
Round Jet (For large flat surface areas)		Complete Electrode 1008152	NS04 1008150	1007229 	
		Tip Only 1008153			Ø 16 mm 107210 Ø 24 mm 107209 Ø 32 mm 107208 Ø 50 mm 117183

OptiFlex2 & OptiFlex Pro Spare Parts

Gema OptiFlex2 & OptiFlex Pro Gun Extensions	
Gun extensions	
L = 150 mm	L = 300 mm
PE07 Extension With Flat Jet Nozzle (NF25)	 <p>1007747</p>
PE07 Extension Without Nozzle	 <p>1007719</p>
PE07 Extension With Round Jet Nozzle (NS09)	 <p>1007749</p>
PE08 Extension Without Nozzle	 <p>1008617</p>
	 <p>1007746</p>
	 <p>1007718</p>
	 <p>1007748</p>
	 <p>1008616</p>

OptiFlex2 & OptiFlex Pro Spare Parts

Gema OptiFlex2 & OptiFlex Pro Nozzles for USE WITH EXTENSIONS						
Application	Nozzle		Electrode Holder	Complete Nozzle Kit	Threaded sleeves	Deflectors
Flat Jet (For extensions) (Primary use – Profiles/Flat Parts)		NF25 1007735		NF25 1007743	 1007740	
		NF26 1007742	1007684	NF26 1007744		
Flat Jet (for Extensions) (For complex profiles and recessed areas)		NS09 1008257		NS09 1008259		 Ø 16 mm 107210 Ø 24 mm 107209 Ø 32 mm 107208 Ø 50 mm 117183

Gema OptiFlex2 & OptiFlex Pro Miscellaneous Parts		
PowerClean Kit	OptiFlex 2 (CG09)	OptiFlex 2 (CG13) & OptiFlex Pro
	1010461 (2M)	1010462 (12M)
SuperCorona Kit	 1008165 (GM03 Gun) 1018291 (GM04 Gun)	

Gema Powder Hoses

Gema Powder Hoses						
Powder hose	Application	Diameter	Part no.	Material	Type	Remarks
<p> Ø 12/18 mm Typ 75 Material POE </p> <p> Ø 11/16 mm Typ 66 Material POE </p> <p> Ø 10/15 mm Typ 74 Material POE </p>	Fast color change (standard)	Ø 11/16 mm	135533	POE	66	Antistatic (Standard for OptiFlex)
	Fast color change - low powder flow	Ø 10/15 mm	1001673	POE	74	Antistatic (Standard for OptiFlex 2)
	Fast color change - high powder flow	Ø 12/18 mm	1001674	POE	75	antistatic
<p> Ø 9.5 / 12.5 mm Typ 1008 Material PUR </p> <p> Ø 11/16 mm Typ 1001 Material PUR </p>	Boron Nitride powder - low powder flow	Ø 9.5/12.5 mm	128463	PUR	1008	special applications
	Used on previous equipment	Ø 11/16 mm	106866	PUR	1001	special applications
<p> Ø 11/16 mm Typ 1004 Material PVC </p>	Enamel powder	Ø 11/16 mm	111257	PVC	1004	flexible powder hose
	Used on previous equipment	Ø 12/20 mm	129090	PVC	1005	flexible powder hose
	For dense phase units	Ø 7/11.4 mm	1005097	POE	N/A	antistatic (standard dense phase – DPP01, AP01)

OptiStar CG21 Gun control unit

	OptiStar CG21 gun control unit – complete, without item 4	1015 203
1	Front plate – complete, see corresponding spare parts list	
2	Enclosure	
3	Backplate – complete, see corresponding spare parts list	
4	Cover	1015 249



fig. 24

Front plate and power pack

	Front plate – complete (pos. 1-12)	1015 219
	Front plate with foil keyboard (pos. 5-8)	1015 218
1	OptiStar Mainboard – complete	1015 221
2	Spacer sleeve – Ø 3.1/6x15 mm	
3	PCB "Powerboard" – complete	1015 223
4	Spacer sleeve – Ø 3.2/6x7 mm	
5	Front frame – complete (incl. pos. 5.1)	1015 232
5.1	Screw	1007 019
6	Screw – M4x16 mm	1013 925
7	Front plate gasket	1015 236
8	Membrane keypad with carrier plate	1015 217
9	Spacer sleeve – Ø 3.6/7x5 mm	
10	Display	1015 220
11	Washer – Ø 3.2/7x0.5 mm	
12	Locknut – M3	
13	Power pack – 24 VDC	1009 849

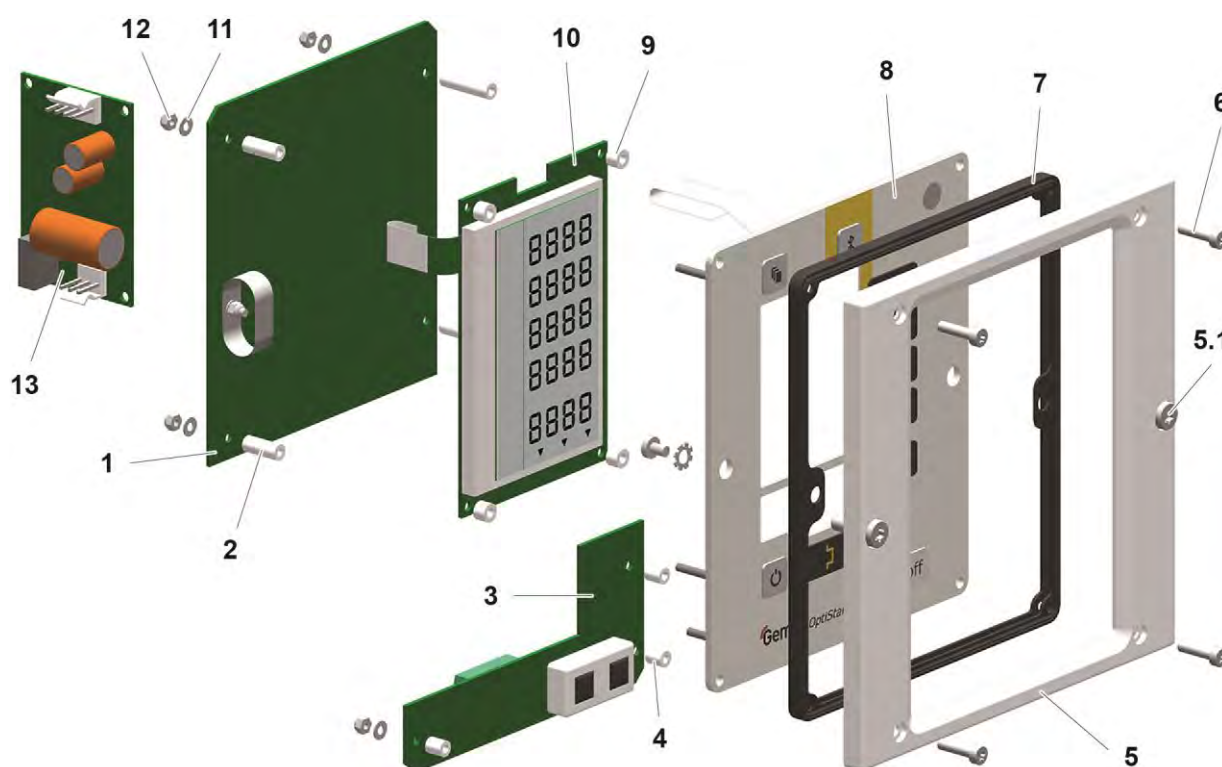


Fig. 25

Inside back plate

1	Back plate gasket	1015 198
2	Elbow joint – 1/8"-Ø 8 mm	251 372
3	T-piece – 1/4"- Ø 8 - Ø 8 mm	1008 040
4	Solenoid valve – Ø 8-Ø 8 mm, 24 VDC	1003 914
5	O-ring – Ø 12x1.5 mm, NBR70	261 416
6	Motor throttle – complete	1000 064
7	O-ring – Ø 8x4 mm, NBR70	1001 521
8	Fluidizing pad – 1/8"	237 264
9	Screw – M4x16 mm	1013 925
10	Plastic tube – Ø 8/6 mm	103 152*
11	Motor throttle – complete	1008 012

* Please indicate length

Inside back plate

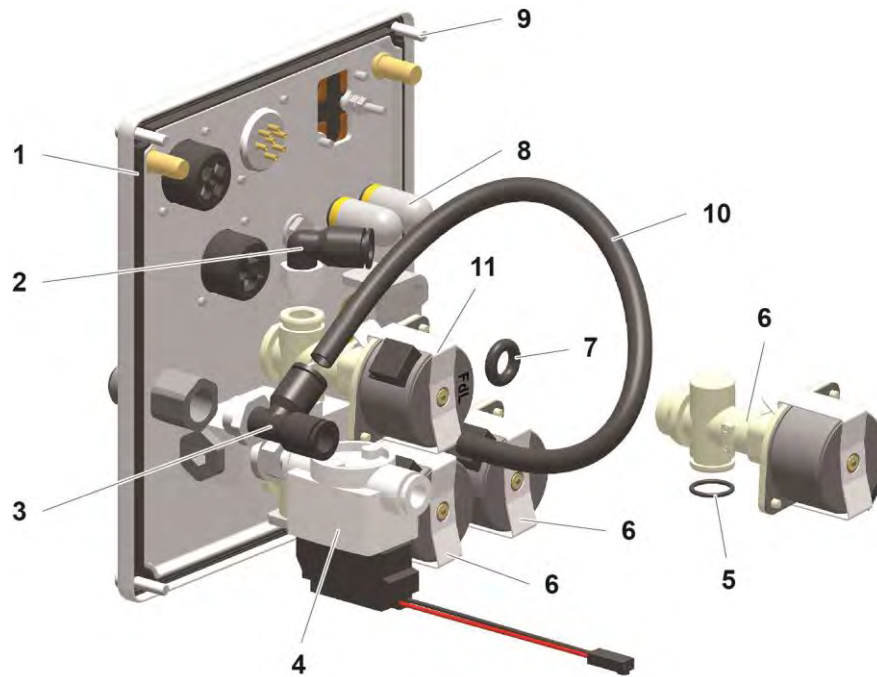


fig. 26: OptiStar CG21

Connecting material

1	Quick release connection – NW5, Ø 6 mm	200 840
1.1	Hose – Ø 6/4 mm	100 854*
2	Nut with kink protection – M12x1 mm, Ø 8 mm	201 316
2.1	Supplementary air hose – Ø 8/6 mm (black)	103 756*
2.2	Quick release coupling for supplementary air hose – NW5-Ø 8 mm	261 637
3	Nut with kink protection – M12x1 mm, Ø 8 mm	201 316
3.1	Conveying air hose – Ø 8/6 mm (red)	103 500*
3.2	Quick release coupling for conveying air hose – NW5-Ø 8 mm	261 645
4	Quick release connection – NW5-Ø 8 mm	203 181
4.1	Hose – Ø 8/6 mm	103 756*
5	Quick release connection – NW 5-Ø 6 mm	200 840
5.1	Hose – Ø 6/4 mm	100 854*
6	Vibrator cable (constituent part of vibrator)	
8	PowerClean module cable – 1 m (option)	1009 879
	PowerClean module cable – 15 m (option)	1009 880
9	Mains cable – CH	382 493
	Mains cable – Schuko	382 485
	Mains cable – USA	382 507
	Mains cable – GB	382 515
	Mains cable – AUS	382 523
	Mains cable – China	1000 993

* Please indicate length

Connecting material



fig. 27

OptiFlow IG07 – Spare parts list

	OptiFlow IG07 Powder injector – complete (pos. 1-15)	1015 100
A	Conveying air check valve unit (red marking) – complete (incl. pos. 6, 8, 9 and 10)	1015 830
B	Supplementary air check valve unit (black marking) – complete (incl. pos. 7, 8, 9 and 11)	1015 831
1	Injector body – without pos. 14 and 15	1015 102
2	Slide gate	1015 104
3	Release trigger	1014 810
4	Screw – M3x6 mm	1014 812
5	Compression spring	1014 813
6	Connector (conveying air) – NW 5.5	1004 366
7	Connector (supplementary air) – NW 5.5	1004 367
8	O-ring – Ø 11x1.5 mm	1000 532
9	Filter element	1015 832
10	Body (red)	1015 835
11	Body (black)	1015 836
12	Cartridge – complete	1016 561#
13	Hose connection – complete (incl. pos. 13.1)	1014 806
13.1	O-ring – Ø 13x1.5 mm	1019 731#
14	O-ring – Ø 16x2 mm	1007 794#
15	Axial gasket – complete	1014 814
21	Conveying air hose – Ø 8/6 mm (red)	103 500*
22	Supplementary air hose – Ø 8/6 mm (black)	1008 038*
23	Quick release coupling for conveying air hose – NW5-Ø 8 mm	261 645
24	Quick release coupling for supplementary air hose – NW5-Ø 8 mm	261 637
25	Kink protection	1008 844
	Powder hose – 66 type, POE, Ø 16/11 mm, with conductive strip (standard)	105 139*#
	Powder hose – 74 type, POE, Ø 15/10 mm, with conductive strip	1001 673*#
	Powder hose – 75 type, POE, Ø 18/12 mm, with conductive strip	1001 674*#

* Please indicate length

Wearing part

OptiFlow IG07 – spare parts

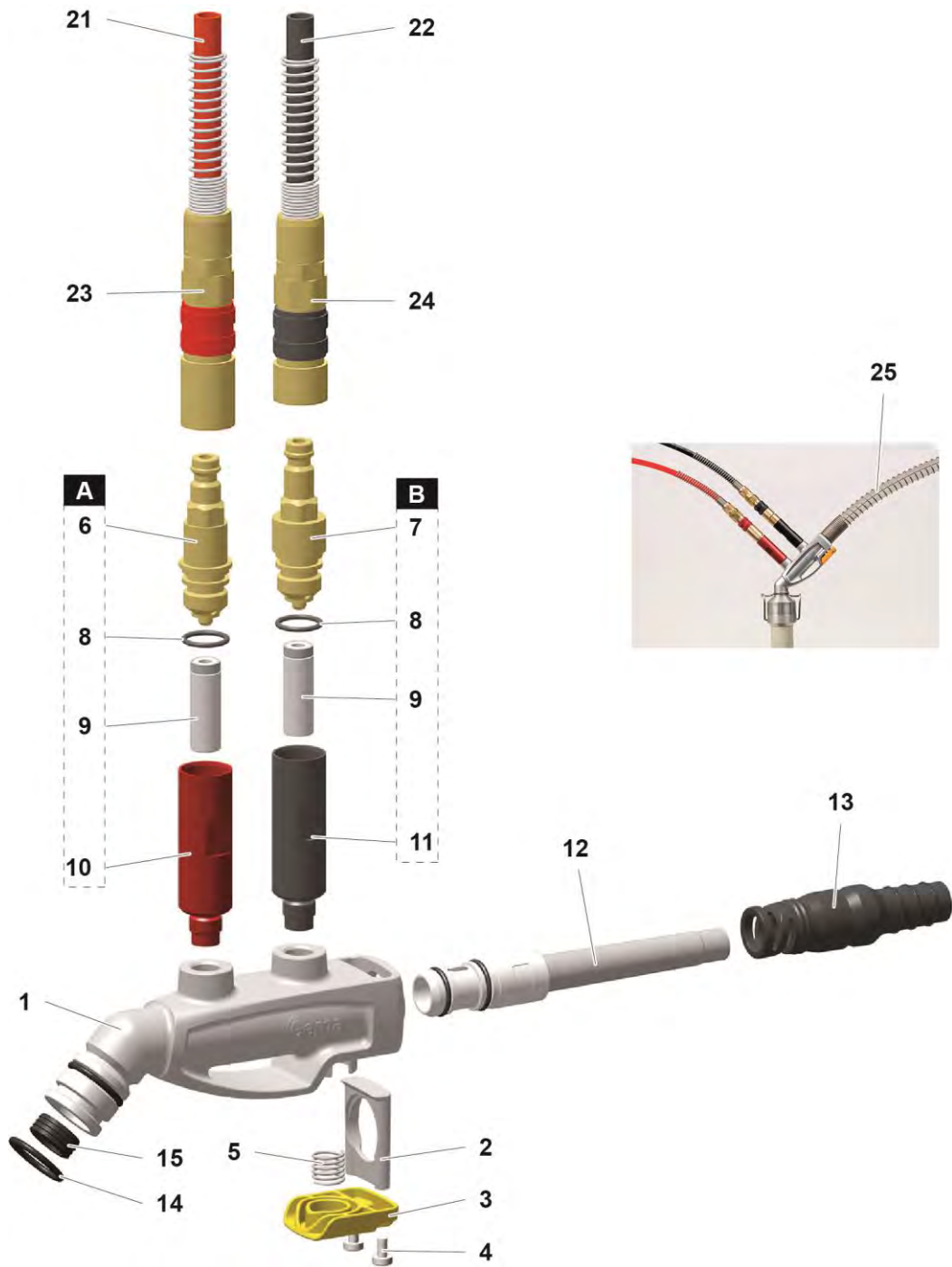


fig. 6

PowerClean™ module (Option)

	PowerClean module – complete	1009 528
1	Elastomer valve	1000 089#
2	O ring – Ø 16x2 mm, anti-static	1007 794#
3	Fluidizing tube bearing	1007 356
4	Fluidizing tube	1007 355
5	Retaining bracket	1009 524
6	O-ring – Ø 27x2 mm	1009 525

Wearing part

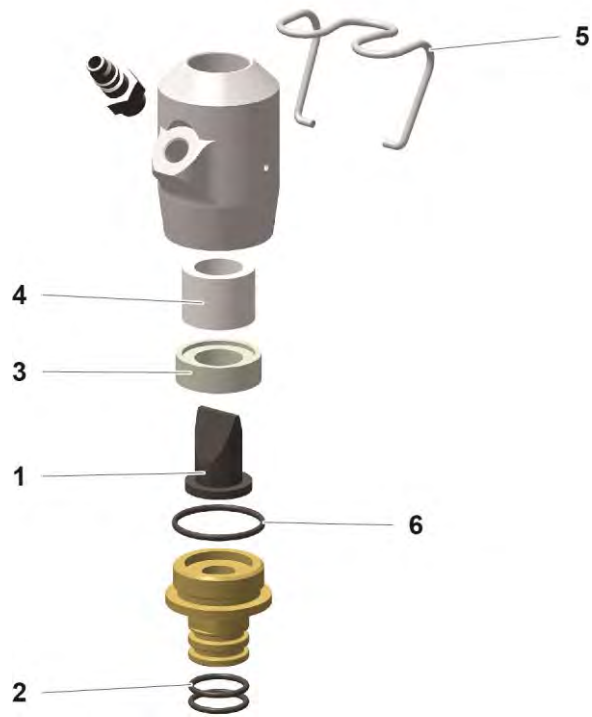


fig. 11

Pneumatic group

	Pneumatic group – complete	1017 815
1	Filter cartridge – 20 µm	1008 239#
2	Condensate container with drain valve	1008 238
3	Connector – NW7.4 - 1/4"	256 730
4	Elbow joint – 1/4"-1/4"	222 674
5	Sealing plug – 1/8"	203 297
6	R/F unit – 0-8 bar, 1/4", complete (incl. pos. 1 and 2)	1008 236
7	Double nipple – 1/4"1/4", divisible	261 165
8	Pressure gauge – 0-10 bar, 1/8"	1008 049
9	Distribution block	1017 816
10	Screw-in nipple – 1/4", Ø 8 mm	265 136
11	Plug – Ø 8 mm	238 023

Wearing part

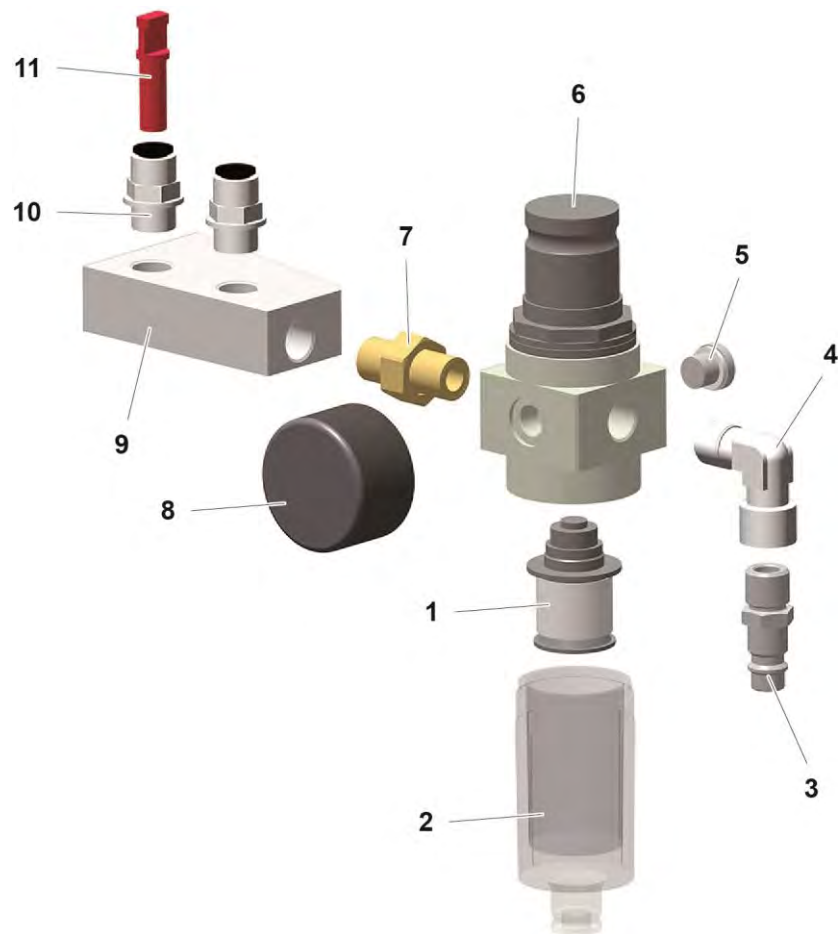


fig. 12: Pneumatic group

PowerClean module set**

	PowerClean module set – rinsing air hose length 2 m (pos. 1, 2, 3, 4 - 7)	1010 519
	PowerClean module set – rinsing air hose length 12 m (pos. 1, 2, 3.1 – 7)	1010 520
1	PowerClean module** – complete (See operating instructions OptiSelect Pro GM04 manual powder gun)	1009 528
2	Solenoid valve – complete	1009 928
3	PowerClean module cable – complete, length 1 m	1009 879
3.1	PowerClean module cable – complete, length 15 m	1009 880
4	Quick release connection – NW5-Ø 8 mm	1008 027
5	Plastic tube – Ø 8/6 mm, black	103 152*
6	O ring – Ø 16x2 mm, NBR70, anti-static (2x) (not shown)	#
7	Cable tie (not shown)	

* Please indicate length

Wearing part



fig. 13: PowerClean module set**



Service and Support

Our products are supported by a dedicated service team. Service Net™ is our nationwide network of engineers and factory-trained distributors ready to provide you with a high level of local support.

Contact Information

Telephone	(317) 298-5000 General (800) 628-0601 General
Mailing & Shipping Address	414 West 54th Street Indianapolis, IN 46254
Parts	(800) 345-8451 for parts ONLY
Technical Support	(800) 628-0648 Technical Support
Fax	(317) 298-5010 General (800) 345-8464 Order Entry & Technical Support (317) 298-5059 Order Entry & Technical Support
Web Address	www.gemapowdercoating.com
E-mail	powersales@gema.us.com powerservice@gema.us.com

