



### Description

The E2-40 smart pump uses a standard EExd 4 pole AC electric motor to drive the fluid section, for pumping paints, solvents and other suitable materials.

The unit combines conventional electrical hardware to achieve optimum operating performance at a lower cost. Running costs are much lower than compressed air driven models. When used with an optional smart card even higher savings in running cost can be realised, by running in a open or closed loop mode which delivers the paint to the user point at the correct pressure and volume only when needed.

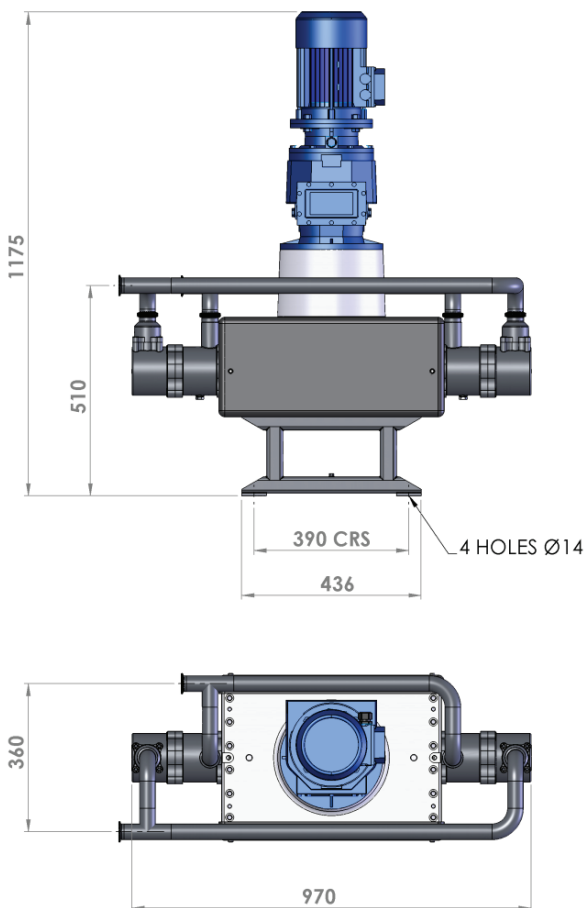
The Model E2 Electric Pump achieves a reciprocating drive by using a cam and cam followers combined with a sliding carriage unit. Equal thrust on each stroke together with the special cam profile reduces fluid pressure fluctuations to an absolute minimum.

### Main Features

- **High Quality materials and surface treatments** are used in the construction of these pumps to ensure extended operational life, including Stainless steel fluid sections, ideal for waterborne, solvent based and other paints.
- **Horizontal Short Stroke Design** - Equal thrust on both pistons provide identical flow and pressure for both strokes. Permits a higher cycle rate than conventional vertical Pumps and thus more flexibility for paint flow range
- **Reciprocating drive** – achieved by a sliding carriage mechanism and rotating constant velocity cam with special profile reducing fluid pressure fluctuations to a minimum. (No surge chamber required)
- **Fluid Seal** – Piston seal is lubricated by paint on both sides, increasing seal life. Design means No external paint leaks when seal needs replacement.
- **Bellows seal** - No exposed shaft seal packing eliminating the need for maintenance and lubrication of the shaft packing. Vital to the user when pumping Light (UV) and Moisture sensitive (Catalyst) materials.
- **Fluid Sections** - Tungsten carbide ball seats & ceramic coated pistons, ensure maximum operating life between servicing providing capability for pumping aggressive and abrasive materials.
- **Flow Rate Control** – The operating speed is adjusted by a Standard AC frequency inverter to achieve a usable speed range between 10 and 40 cycles/minute; control is infinite within this working range, either manually or automatically.
- **Operation Mode** - Simple Flow Mode like a conventional air motor driven pump or by Pressure Control to achieve maximum 'Smart' energy savings.
- **Fluid Connections** - Sanitary Inlet and outlet connections, guarantee a smooth internal pipe connection without paint entrapment pockets.

## Specifications

Description	Unit
Nominal stroke	50mm /1.97"
Part Number	107093 (EU) 107094 (USA) 107095 (Japan)
Max fluid pressure	16 bar / 230 psi
Fluid output @ 20HZ (10 cycles per minute)	10.0 Litres / 2.64 US Gal
Fluid output @ 80 HZ (40 cycles per minute)	40 Litres / 10.6 US Gal
Fluid Connections	Inlet and Outlet - 1 1/2" Sanitary
Electric Motor	EU/Japan: 400V 3PH 1.5 kW @ 50HZ 4 Pole USA: 400V 3PH 2.0 HP @ 60HZ 4 Pole
Total weight of pump	250 kg (550 lbs)



## Accessories

Part. No.	Description
107XXX	Binks 107 Series Low Shear BPR
502144	Pressure Switch
37-2000	6" Bag Filter
192547	Pressure Transducer (4-20mA)
192720	Sensor Manifold
PRV22-X-XX	Relief Valve