



German Engineering

Product Catalogue

SPRAY GUNS

CUP SYSTEMS

BREATHING PROTECTION

FILTER TECHNOLOGY

ACCESSORIES

MERCHANDISING ITEMS



vol. 23

Table of Contents

Spray Guns 4

SATAjet X 5500 PHASER	10
SATAjet X 5500	12
SATAjet 5000 B	14
SATAjet 1500 B SolV	16
SATAjet K 1800 spray mix	18
SATAjet 3000 K	20
SATAjet 1000 B	22
SATAjet 1000 B	
Lignum 3	26
SATAjet 1000 K	28
SATAjet 1000 H	32
SATAjet 100 B F	34
SATAjet 100 B P	34
SATAminijet 4400 B	36
SATAminijet 1000 K	40
SATAjet H	42
SATA spray master RP	44
SATAjet 20 B	46
SATAgraph 4	48
Extensions SATAjet 1000 B RP	50
Extensions SATAjet 1000 K RP	51
Material and air connection SATAjet 3000 K, 1000 K	52
Material and air connection SATAminijet 1000 K	53
Spray Gun Cases	54
Nozzle Sets and spare parts of discontinued gun models	56
Spare parts SATAjet X 5500 FUTURE (discontinued gun model)	59
Spare parts SATAjet 5000 B PHASER (discontinued gun model)	60
Spare parts SATAjet 5000 B (discontinued gun model)	61
Spare parts SATAjet 4000 B (discontinued gun model)	62
Spare parts SATAjet 4800 K spray mix (discontinued gun model)	63
Spare parts SATAminijet 3000 B HVLP (discontinued gun model)	64
SATAjet B / SATAjet GR (discontinued gun model)	65
SATA adam 2,	
SATA adam 2 black	66
Spare parts for SATA spray guns with gravity flow cup	68
Accessories for spray guns	70
Cleaning and Maintenance of Spray Guns	72

Cup Systems 74

SATA RPS	
Multi-Purpose Cup System	76
SATA RPS Accessories	78

Gravity flow cup for spray guns	80
Spare parts SATA Aluminium and PVC Gravity Flow Cups	81
RPS Adapters for SATA Spray Guns	82
SATA Agitator Cup	83
SATA BVD	84

Breathing Protection 86

SATA air vision 5000 NIOSH	88
SATA vision 2000 with Activated Charcoal Belt Unit	94
SATA vision 2000 with Industrial Belt Valve	96
SATA air star C with Activated Charcoal Belt Unit	98
SATA air star C with Industrial Belt Valve	100
Accessories for SATA vision 2000/SATA air star C	102

Filter Technology 104

SATA filter 414/424/434/464	106
SATA filter 444/474/484	108
SATA filter 244/264/284	110
SATA filter 524/544/564/584	113
Accessories for SATA filter series	116

Accessories 118

Dan-Am Pressure Pots	120
Dan-Am 10 - 40 Pressure Tanks	122
Parts Pressure tank regulators 675640 & 675642	126
Parts Pressure tank regulators 675644 & 675646	127
SATA vario top spray	128
Grit Blasting Equipment / Blow Guns	132
SATA Rustproofing Equipment	134
SATA Cleaning Systems	138
SATA trueSun	142
SATA dry jet 2	143
Air hoses	144
Carbon Monoxide Monitors	145
SATA Painting Coveralls	146

Merchandising Items 150

SATA Canada Merchandise	151
Warranty Information	153

General Information



Exchange/Return

- All return and exchange products must be authorized by SATA Canada Inc. with a valid “Return Goods Authorization Number” (RGA) and sent with a copy of the **original invoice** to ensure proper credit.
- Equipment for refund must be returned in unused, resalable condition in original undamaged packaging, with RGA number clearly written on the outside of the shipping box.
- Obsolete, used or abused/damaged equipment and parts as well as Special Order Equipment are non-returnable and non-refundable.
- All short shipments/damaged shipments must be reported to SATA Canada Inc. and shipping company no later than 12 hours after a shipment has been received.
- RPS cups are non-returnable and non-refundable.
- Special Edition guns are non-returnable.
- Breathing equipment that has been opened, is non-returnable due to hygienic reasons.
- SATA Canada Inc. reserves the right to accept or deny any return after inspection.
- Upon receipt and inspection, a 15% restocking fee will apply. The return volume is restricted to a maximum of 2% of the last year's turnover.
- SATA Canada Inc. is not responsible for lost or damaged returns.
- Unless an error in shipping, all returns are at the expense of the authorized SATA Distributor, i.e. with shipping charges prepaid by the distributor.

Terms of Delivery

All indicated prices are ex works. They exclude packaging, freight, shipment and insurance cost. The general terms and conditions of delivery and payment apply exclusively. We object to any other purchasing conditions.

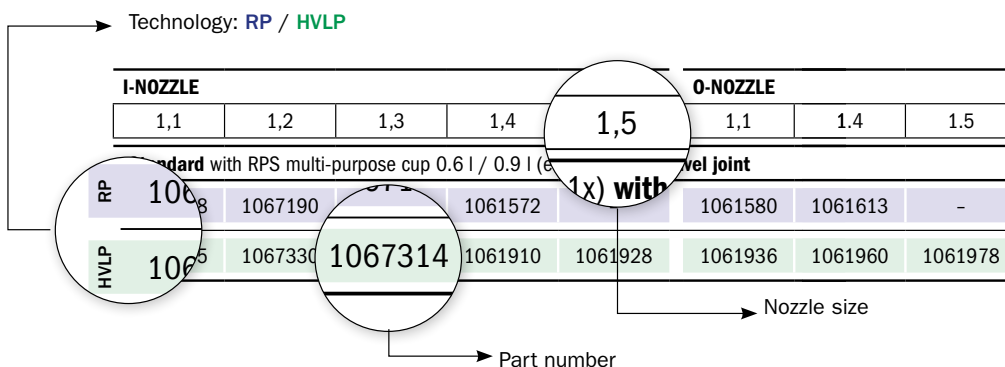
Shipping Terms

Single orders of \$3,000.00 or more net (excl. taxes) are shipped F.O.B. ground delivery freight prepaid to a single destination within Canada with the logistic partner of SATA Canada's choice. This policy does not include add-on items, multiple purchase orders, airfreight, or airfreight upgrades.

Small Order Policy

Minimum order value: \$150.00 net (excl. taxes). All orders with a value below \$150.00 net (excl. taxes) will be invoiced at gross list price without discount.

Structure of the Catalog



Errors, technical modifications and printing errors reserved

Spray Guns

SPRAY GUNS

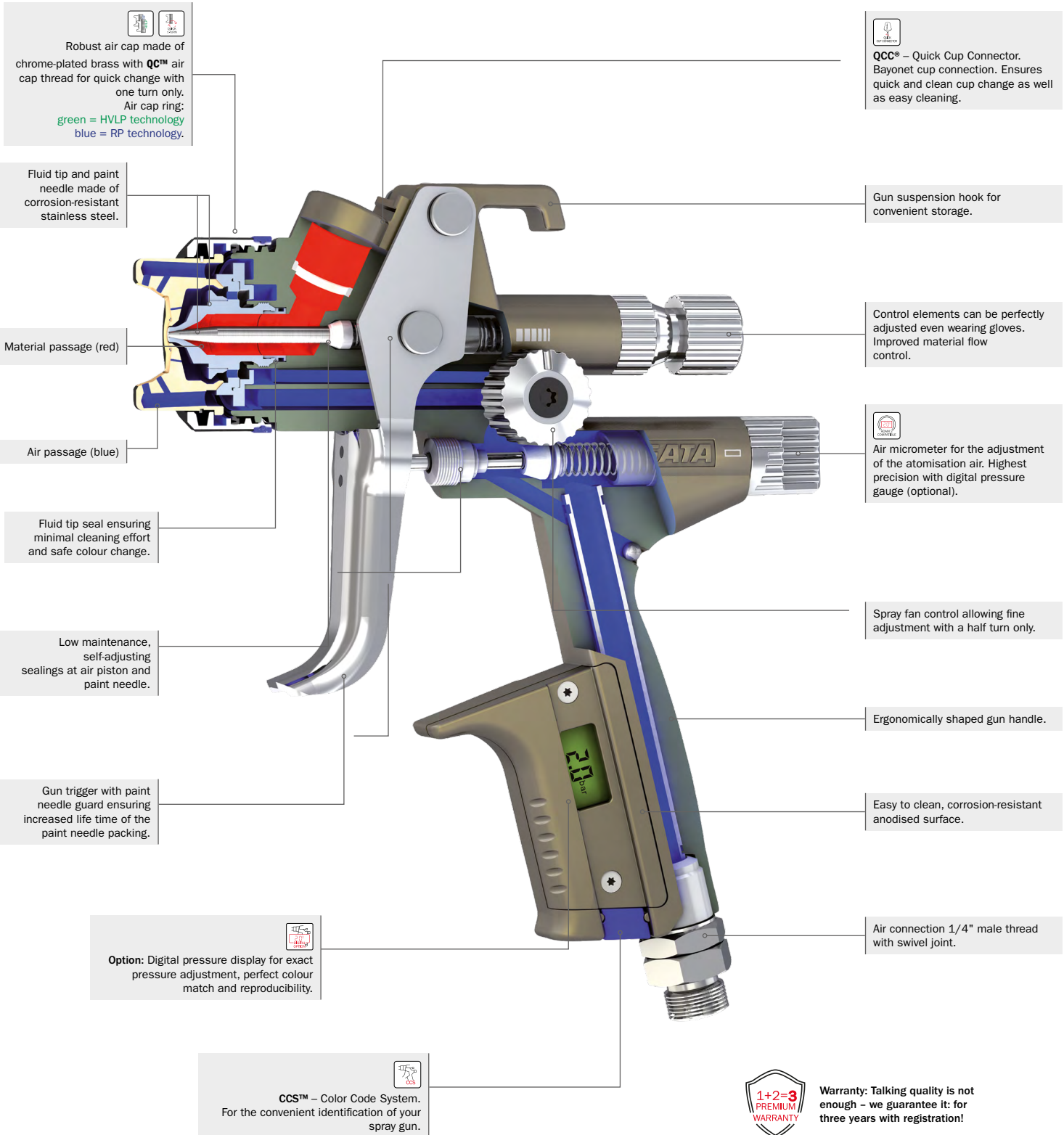
CUP SYSTEMS

BREATHING PROTECTION

FILTER TECHNOLOGY







ACCESSORIES





MERCHANDISING ITEMS



Warranty: Talking quality is not enough – we guarantee it: for three years with registration!

Spray gun types	Fields of application	Operating mode
	<p>SATAjet X 5500 PHASER RP/HVLP 10 – 11</p>	<p>The PHASER spray gun was developed with its special design, special materials and a special concept for your very special projects. Technically is the PHASER identical to the top model SATAjet X 5500. It has the same nozzle concept and all the other convincing features that make the SATAjet X 5500 an outstanding spray gun.</p> <ul style="list-style-type: none"> • Unusual design – combined with high-quality materials and detailed solutions • Revolutionary, economical, quiet, consistent – technically identical to the top model SATAjet X 5500 • Retrofit: digital pressure gauge, SATA adam 2
	<p>SATAjet X 5500 RP/HVLP 12 – 13</p>	<p>The SATAjet X 5500 is the latest SATA paint spray gun for highest demands. With the X nozzle system, painters are able to cope with all paint systems and application recommendations. In addition, the whispering nozzle noticeably reduces the noise level and gives bodyshoppers a softer, more pleasant painting feeling - all this with reduced material consumption.</p> <ul style="list-style-type: none"> • Revolutionary: The atomization of the X nozzles sets new standards • Noticeably quieter: Whispering nozzle due to optimised flow geometry • Precise: Optimised material distribution for enhanced spraying uniformity and atomisation with both spray fan shapes • Low maintenance: No air distribution insert required • Consistent: Constant fan size across the entire nozzle spectrum with linear increases of the material flow rate • Efficient: Considerable material savings with the same application method
	<p>SATAjet 5000 B RP/HVLP 14 – 15</p>	<p>Top coat application for perfect finishes of e.g. vehicles, utility vehicles, furniture, yachts or high quality industrial components with all paint systems.</p> <ul style="list-style-type: none"> • Optionally available in HVLP low pressure or optimised high pressure RP technology • Fan control • Material flow control • Air micrometer • RPS Multi-Purpose Cups • Retrofit: digital pressure gauge, SATA adam 2
	<p>SATAjet 1500 B SoLV RP/HVLP 16 – 17</p>	<p>Application of base and clear coats as well as 2K uni paints in the car refinish sector. The compact nozzle range and the optimized atomisation allows quick and perfect finishes.</p> <ul style="list-style-type: none"> • Optionally available in HVLP low pressure or optimised high pressure RP technology • Anodised spray gun body in blue with black control elements • Extended application window: 7 - 35 psi (Legislation-compliance for HVLP max. 29 psi, for RP max. 29 psi) • Retrofit: digital pressure gauge, SATA adam 2
	<p>SATAjet 1000 B RP/HVLP 22 – 25</p>	<p>The SATAjet 1000 B gravity fed spray has been specifically developed for the LIC/Industrial/wood coatings markets. Thanks to the very wide range of nozzle set sizes, extensions and the possibility to equip with both a pressurized gravity cup or a gravity cup with a pneumatic stirrer almost all available coatings can be sprayed from low-viscosity wood stains and clearcoats to glues and other thixotropic materials.</p> <ul style="list-style-type: none"> • Optionally available in HVLP low pressure or optimised high pressure RP technology • Fan control • Material flow control • Air micrometer • RPS multi-purpose cup • Retrofit: digital pressure gauge, SATA adam 2
	<p>SATAjet 1000 B LIGNUM 3 RP/HVLP 26 – 27</p>	
	<p>SATAjet 1000 H RP/HVLP 32 – 33</p>	<p>The SATAjet 1000 H RP is the all-round spray gun for craft and industry in the suction cup version.</p> <ul style="list-style-type: none"> • With 1 litre aluminum suction cup • Suitable for processing solvent-based materials • QC thread for easy and quick air nozzle change with only 1.5 turns • Easy to clean and corrosion-resistant surface • Robust and very durable

Spray gun types	Fields of application	Operating mode
 <p>SATAjet 3000 K RP/HVLP 20 – 21</p>	<p>With this high-performance paint spray gun designed for use with remote tanks or pump systems you can achieve high-quality paint jobs on large surfaces. Stretched spray fan with finest material atomization provides perfect surface quality with homogeneous paint flow. Robustness, and ergonomic balance are ideal for continuous use in industry and trade.</p>	<ul style="list-style-type: none"> • Processing of all paint systems with sprayable viscosity • All material passages are made of stainless steel and are therefore corrosion-resistant • Extremely robust spray gun model with axial round/flat spray control • Ergonomically balanced, easy handling of the control elements • Retrofit: digital pressure gauge, SATA adam 2
 <p>SATAjet K 1800 spray mix 18 – 19</p>	<p>The new SATAjet K 1800 spray mix, an innovative new product in the field of ultra-high pressure coating. The new lightweight gun in this spray gun class with its well-balanced gun body combines an optimised ergonomic design with a finely-tuned nozzle range and with the innovative clampLock paint needle system.</p>	<ul style="list-style-type: none"> • Ergonomic design with a well-balanced gun body • Low spray gun weight • Single-axis trigger system for low trigger forces and fatigue-free working • Innovative, two-part clampLock paint needle system • Material connection system for gap or inline filter • Material connection 1/4" - 18 NPSM (male thread) / air connection 1/4" (male thread) • Retrofit: digital pressure gauge, SATA adam 2
 <p>SATAjet 1000 K RP/HVLP 28 – 31</p>	<p>The compact and lightweight SATAjet 1000 K is the all-rounder among spray guns with material supply from pressure tanks or via double diaphragm pumps. Thanks to the wide range of nozzles, a wide variety of materials such as low-viscosity wood stains, clear coats, textured coats and glazes as well as adhesives and other high-viscosity materials can be excellently processed with this gun.</p>	<ul style="list-style-type: none"> • Can be used for processing a wide variety of materials – water or solvent-based • Comfortable, ergonomically well balanced control elements, such as material flow control, the thumb-adjustable round/flat spray control and integrated air micrometer • QC thread for easy and quick air nozzle change with only 1.5 turns • Special air guides on the horns of the air cap prevent deposits caused by rear mist • With extensions in various designs, even hard-to-reach areas can be coated perfectly • Retrofit: digital pressure gauge, SATA adam 2
 <p>SATAjet 100 B F RP/HVLP 34 – 35</p>	<p>The SATAjet 100 B F can be used for a wide range of applications in the car refinish market due to its flexibility in setting the atomization pressure. Due to the wide spray fan and fine atomisation, fillers and primers can be applied in a continuous flow even with the higher material viscosity. This saves valuable working time due to less sanding effort.</p>	<ul style="list-style-type: none"> • Fine atomisation even at low inlet pressure • Low overspray • Smoothly polished, ergonomically optimised gun body • QCC- cup connection • Self-adjusting sealings • Optionally available in HVLP low pressure or optimised high pressure RP technology • Retrofit: digital pressure gauge, SATA adam 2
 <p>SATAjet 100 B P 34 – 35</p>	<p>Application of sprayable putty</p>	<ul style="list-style-type: none"> • High pressure spray gun with shortened air cap horns without air micrometer • Functional components like SATAjet 100 B, however without air micrometer • Retrofit: digital pressure gauge, SATA adam 2
 <p>SATAminijet 4400 B RP/HVLP 36 – 39</p>	<p>The SATAminijet 4400 B is perfectly suited for small or difficult to access areas. The special SR nozzles are suitable for small repairs (spot repair) on vehicles. All modern paint systems can be applied with this spray gun.</p>	<ul style="list-style-type: none"> • Small and compact: Particularly suitable for smaller areas or hard to reach places • Special spot repair nozzle sets for minor damage repairs to vehicles • Low maintenance, self-adjusting air piston and paint needle packings • Retrofit: digital pressure gauge, SATA adam 2

Spray gun types	Fields of application	Operating mode
 <p>SATAminijet 1000 K RP/HVLP 40 – 41</p>	<p>The SATAminijet 1000 K series has been especially developed for the industrial coating of small to medium sized lots of small parts under series conditions. This includes, for example, the industrial series coating of small panels and housings, the application of release agents and interior design.</p>	<ul style="list-style-type: none"> • Ergonomic and compact spray gun for small surfaces or areas of difficult access • QC thread for a quick air nozzle change with only 2 turns • Sturdy, easy clean surface • Retrofit: digital pressure gauge, SATA adam 2
 <p>SATAjet 20 B 46 – 47</p>	<p>The SATAjet 20 B has been designed for use in all areas of creative painting: For all kinds of artbrush applications including graphic design, automotive custom painting, model making, artwork and calligraphy – the results are simply outstanding.</p>	<ul style="list-style-type: none"> • Design spray gun with round spray nozzle • Familiar handling due to spray-gun-like design • Material and air flow control • No tools required to change air connection - works well on horizontal as well as on vertical surfaces • Wide range of nozzle sizes for versatile use • Suitable for water and solvent-based paints
 <p>SATAgraph 4 48 – 49</p>	<p>The airbrush guns of the SATAgraph series are particularly suitable for drawing fine dots as well as filigree lines and contours. The SATAgraph 4 is the universal model among the SATA airbrush guns.</p>	<ul style="list-style-type: none"> • Coupled air and material adjustment for safe spray control • Removable needle cap to allow drawing finest lines • Highest precision in various fields of application • Easy handling for fatigue-free work
 <p>SATA spray master RP 44 – 45</p>	<p>Application of small amounts of high-viscosity materials</p>	<ul style="list-style-type: none"> • Optimised high pressure RP • Pressurised gravity flow cup with pressure regulation valve

► For information on our **automatic spray guns**, please contact SATA Canada: contact@sata.ca

The revolutionary nozzle system

State-of-the-art paint systems and the latest application recommendations open up new possibilities, but also pose new challenges for professional painters. The SATAjet X 5500 featuring the new X-nozzle system now defines a wholly new application standard for the future.

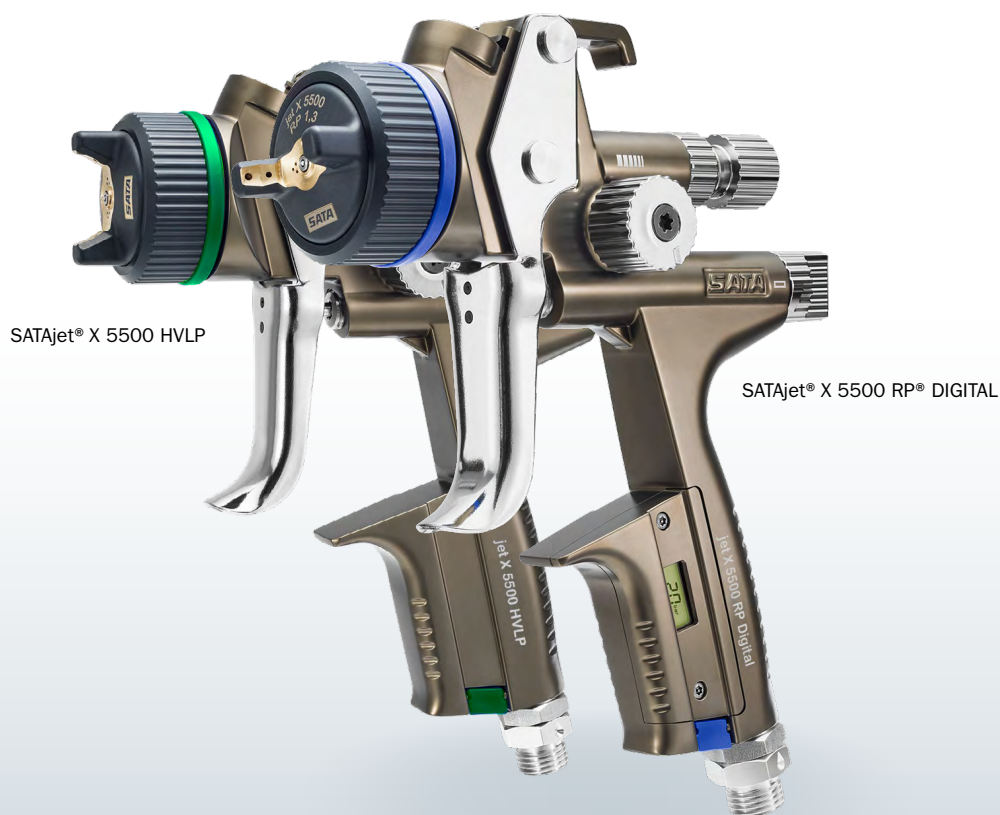
The concept of this nozzle system is easy and straightforward to understand: Both proven application technologies – HVLP and RP – remain available, but now each of them with the additional choice between "I" and "O"-nozzle sets. In line with the increasing nozzle sizes within each of the respective technology (HVLP / RP), the material flow rate increases too with constant increments – which means that the spray fan size and width remain unchanged across the entire nozzle spectrum. In essence, end-users can now rely on a transparent and consistent system which offers them clear and well-structured application options.

The "I"-nozzles produce a parallel spray fan pattern with a minimal dry zone and a drier centre which is ideal for painters preferring a **reduced application speed** and maximum application control during the painting process. The **film build per coat** in comparison to an "O"-nozzle of the same size is **slightly reduced**.

- Parallel spray fan with minimal dry zone
- Improved control during application
- Reduced film build per coat compared to the nozzle set currently in use or the "O"-nozzle

"O"-nozzles do have an oval-shaped spray fan pattern with a larger dry zone and a wet core to accommodate **increased application speed** at the expense of slightly less application control during the painting process. The **film build per coat** in comparison to an "I"-nozzle is **slightly higher**.

- Oval-shaped spray fan with larger dry zone
- Wet core for increased application speed
- Film build per coat slightly higher compared to the "I"-nozzle



SATAjet® X 5500 HVLP

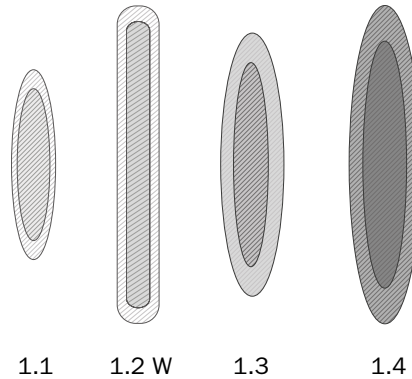
SATAjet® X 5500 RP® DIGITAL

PRODUCT BENEFITS

- Revolutionary: The X-nozzles are taking atomisation to a whole new level
- Noticeably quieter: Whispering nozzle™ due to optimised air flow geometry, reduced noise level in the relevant sound frequency ranges
- Individual: Matches any application requirement, such as specific characteristics of the paint system, climatic conditions and application method (application speed/application control)
- Precise: Optimised material distribution for enhanced spraying uniformity and atomisation with both spray fan shapes
- Low maintenance: No air distribution insert required, thus also ensuring a much easier and faster cleaning process
- Consistent: Constant fan size across the entire nozzle spectrum (within each respective atomisation technology) with linear increases of the material flow rate
- Efficient: The optimised atomisation concept enables to realise considerable material savings using the same application method as before

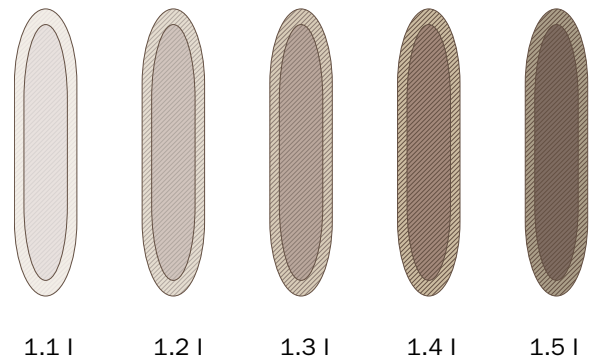
SPRAY FAN SHAPES

Examples of current fan shapes

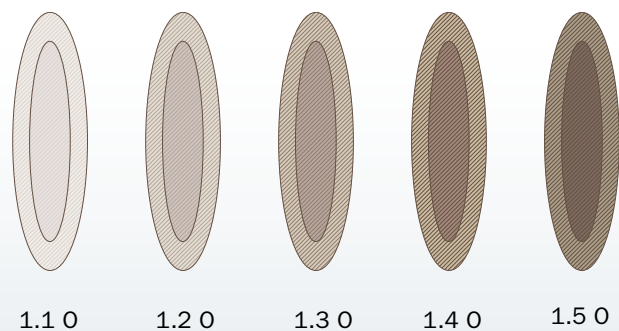


With SATAjet X 5500

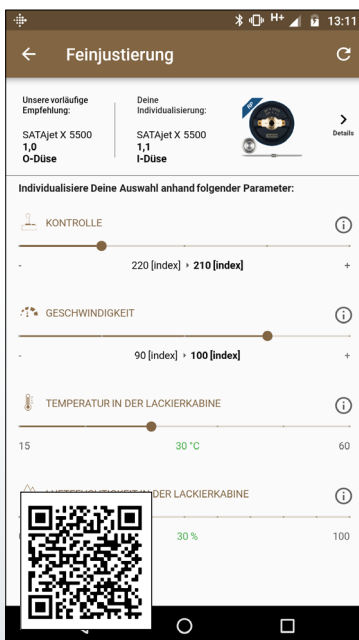
Fan shape **I-nozzle HVLP/RP**



Fan shape **O-nozzle HVLP/RP**



Select your favorite nozzle



www.sata.com/en-amn/service/product-service/nozzle-finder

SATAjet X 5500 PHASER

RP/HVLP



Technical data:

	RP	HVLP
Inlet pressure	Operating range (Field of application): 7 psi - 35 psi Compliant: max. 29 psi	Operating range (Field of application): 7 psi - 35 psi Compliant: max. 29 psi
Air consumption at 29 psi	10.2 cfm	15.2 cfm
Spray distance	Operating range (Field of application): 10 cm - 21 cm Recommended: 17 cm - 21 cm	Operating range (Field of application): 10 cm - 21 cm Recommended: 10 cm - 15 cm



I-nozzle			O-nozzle		
1.2	1.3	1.4	1.2	1.3	1.4

Standard with RPS multi-purpose cup 0.6 l / 0.9 l (each 1x)

RP	1096066	1096074	-	1096090	1096082	-
HVLP	1096157	1096149	1096131	1096107	1096115	1096123
Nozzle set						
RP	1096181	1096199	-	1096214	1096206	-
HVLP	1096272	1096264	1096256	1096222	1096230	1096248

SPRAY GUNS

CUP SYSTEMS

BREATHING PROTECTION

FILTER TECHNOLOGY

ACCESSORIES

MERCHANDISING ITEMS

Errors, technical modifications and printing errors reserved.

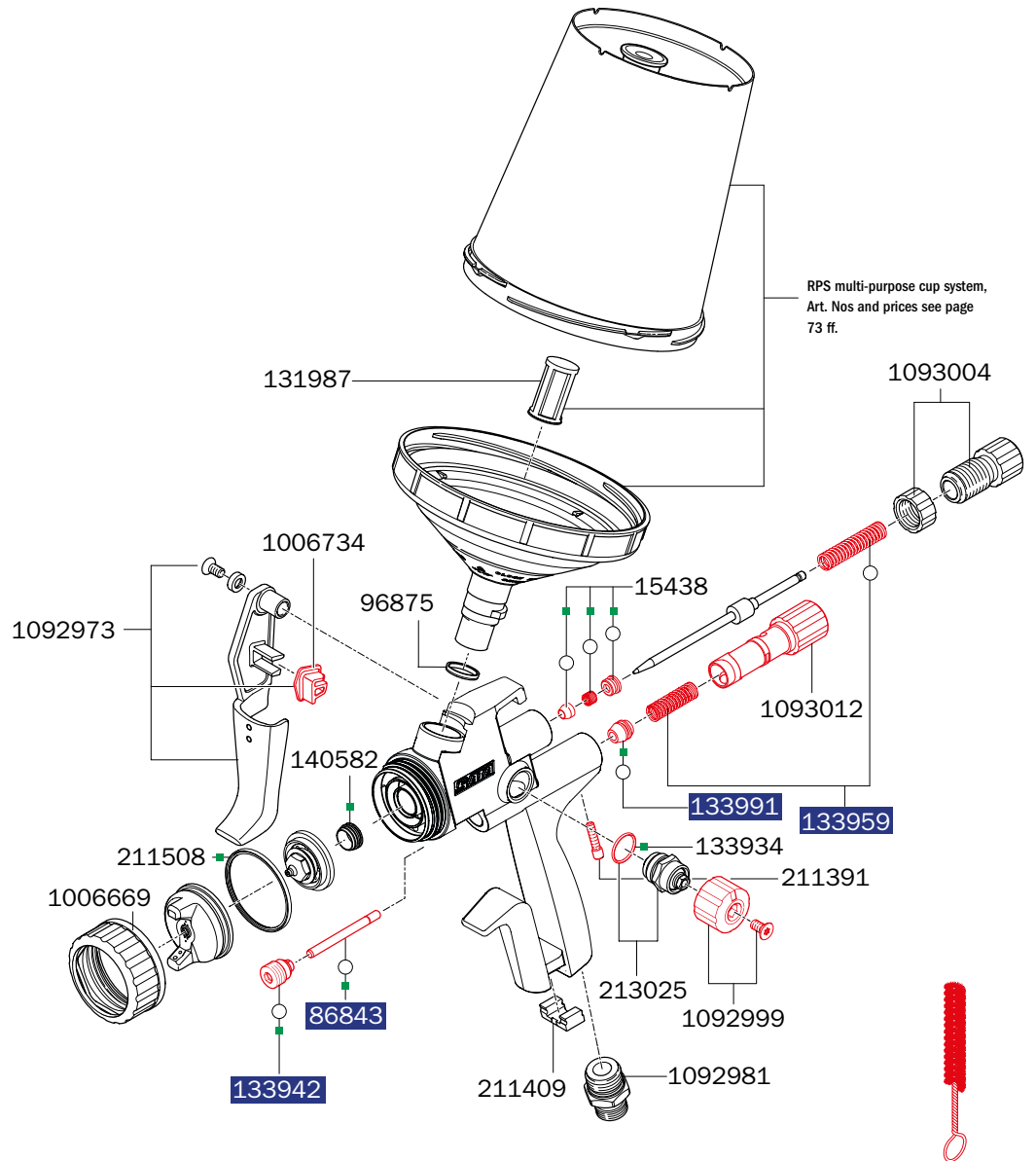
Spare Parts

SATAjet X 5500 PHASER

15438	Paint needle packing
86843	Air piston rod
96875	PVC insert for paint spray guns with QCC cup connection
131987	Spare plug-in sieve 200 µm, pastel green (packing unit 100 pieces)
133934	Sealing (packing unit 3 pieces) for spindle
133942	Seal retainer, cpl.
133959	Spring Kit - pressure spring (3 pieces) for paint needle and air piston
133991	Air piston head (packing unit 3 pieces)
140582	Sealing element (packing unit 5 pieces) for fluid tip
211391	Locking screw (packing unit 3 pieces) for air micrometer
211409	CCS-Clips, green, blue, red, black (packing unit 4 pieces)
211508	Sealing ring (packing unit 5 pieces)
213025	Spindle, cpl., for round / flat spray control
1006669	Kit consisting of coloured marking rings (blue, green, black, packing unit each 1 piece)
1006734	Trigger fixing clip
1057323	Tool kit
1092973	Trigger kit
1092981	Air connection piece 1/4" male thread
1092999	Control knob with screw (pack of 2 pieces)
1093004	Material flow control with counter nut
1093012	Air micrometer

Repair kit

1093020	Repair kit
82552	Air piston service unit
1173286	Maintenance Set
136960	Sealing kit



SATA adam 2

211557	SATA adam 2 psi
1031715	SATA adam 2 black psi
211565	SATA adam 2 dock
211573	SATA adam 2 dock (packing unit 2 pieces)

Tool kit

1057323	<ul style="list-style-type: none"> · Universal spanner · Combi tool · Cleaning brush · CCS clips · Paint strainer
1097379	Universal spanner kit (pack of 3 pieces)

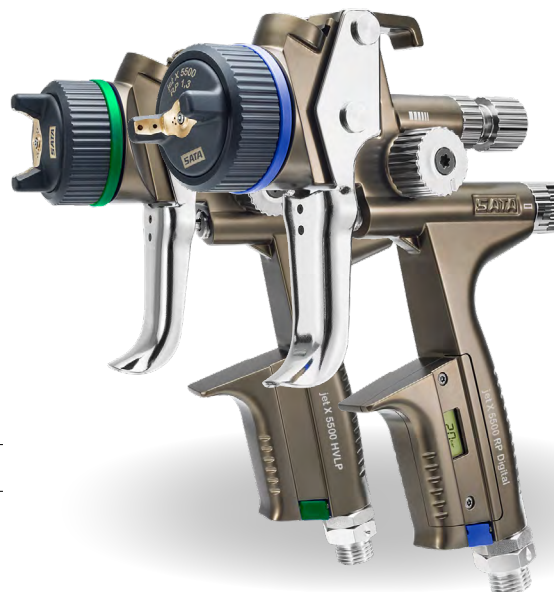
Maintenance Set

1173286	<ul style="list-style-type: none"> · 1 Sealing ring for air cap 211508 · 1 Sealing element for fluid tip 140582 · 1 Air piston rod 86843 · 1 Seal retainer 133942 · 1 Spindler seal 133934 · 1 Teflon seal for air piston · 1 Paint needle packing 15438
---------	---

Errors, technical modifications and printing errors reserved.

SATAjet X 5500

RP/HVLP



Technical data:	RP	HVLP
Inlet pressure	Operating range (Field of application): 7 psi - 35 psi Compliant: max. 29 psi	Operating range (Field of application): 7 psi - 35 psi Compliant: max. 29 psi
Air consumption at 29 psi	10.2 cfm	15.2 cfm
Spray distance	Operating range (Field of application): 10 cm - 21 cm Recommended: 17 cm - 21 cm	Operating range (Field of application): 10 cm - 21 cm Recommended: 10 cm - 15 cm

I-nozzle

	1.1	1.2	1.3	1.4	1.5	1.6	1.8
--	-----	-----	-----	-----	-----	-----	-----

Standard with RPS multi-purpose cup 0.6 l / 0.9 l (each 1x) with swivel joint

RP	1061548	1061556	1061564	1061572	1106534	1106542	1126889
HVLP	1061895	1061902	1061887	1061910	1061928	-	-

DIGITAL with RPS multi-purpose cup 0.6 l / 0.9 l (each 1x) with swivel joint

RP	1061639	1061655	1061704	1061738	-	-	-
HVLP	1062009	1061986	1062017	1062041	1062059	-	-

Nozzle set

RP	1063536	1063544	1063552	1063560	1106493	1106526	1125120
HVLP	1063619	1063627	1063635	1063651	1063669	-	-

O-nozzle

	1.1	1.2	1.3	1.4	1.5	1.6	1.8
--	-----	-----	-----	-----	-----	-----	-----

Standard with RPS multi-purpose cup 0.6 l / 0.9 l (each 1x) with swivel joint

RP	1061580	1061598	1061605	1061613	1106550	1106568	1126897
HVLP	1061936	1061944	1061952	1061960	1061978	-	-

DIGITAL with RPS multi-purpose cup 0.6 l / 0.9 l (each 1x) with swivel joint

RP	1061770	1061796	1061811	1061837	-	-	-
HVLP	1062083	1062091	1062132	1062140	1062174	-	-

Nozzle set

RP	1063578	1063586	1063594	1063601	1106500	1106518	1125138
HVLP	1063677	1063685	1063643	1063693	1063700	-	-

Errors, technical modifications and printing errors reserved.

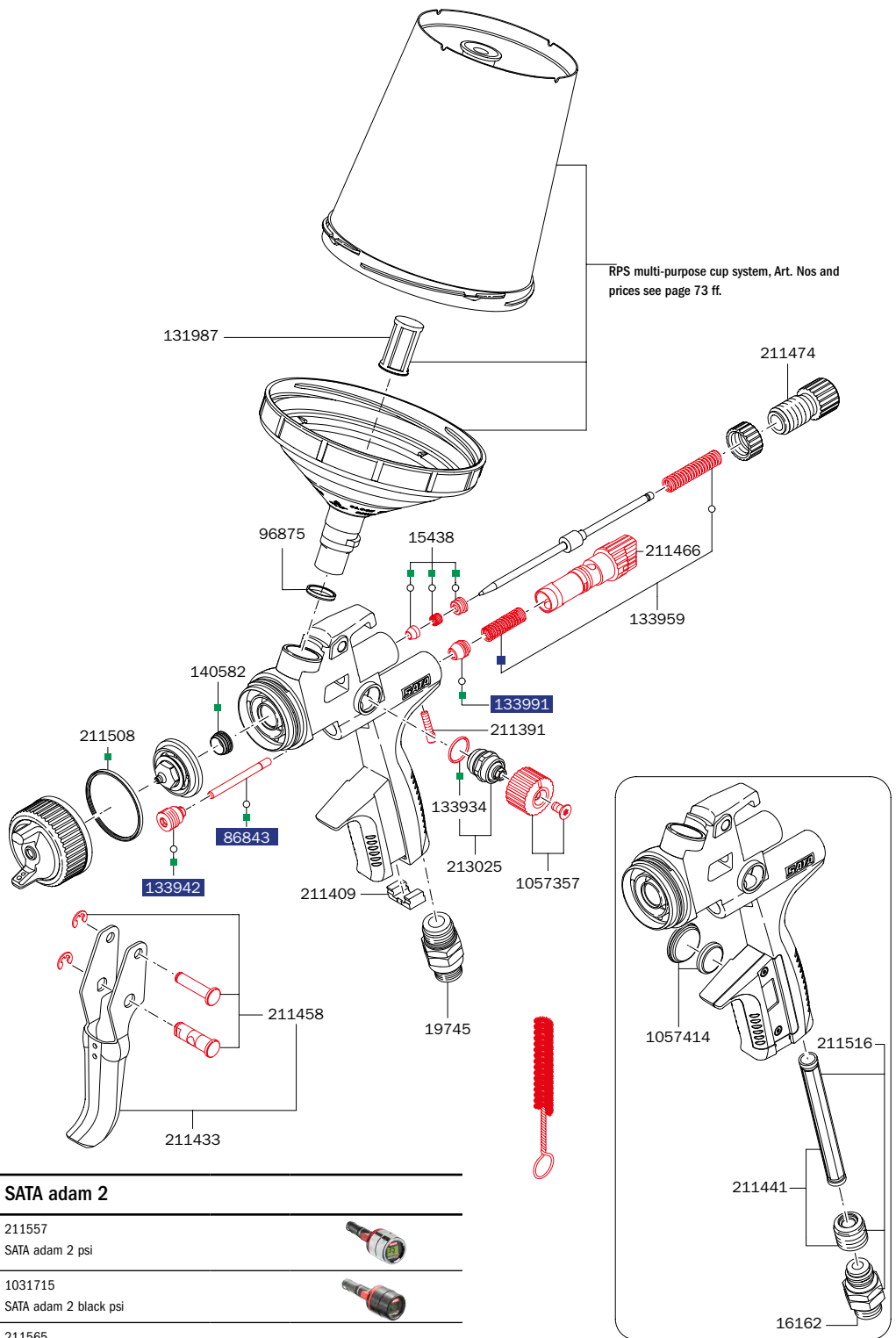
Spare Parts

SATAjet X 5500

15438	Paint needle packing
16162	Swivel joint
19745	Swivel joint
86843	Air piston rod
96875	PVC insert for paint spray guns with QCC cup connection
131979	Spare flat sieve 125µm, pastel blue (packing unit 100 pieces)
131987	Spare plug-in sieve 200 µm, pastel green (packing unit 100 pieces)
133934	Sealing (packing unit 3 pieces) for spindle
133942	Seal retainer, cpl.
133959	Spring Kit - pressure spring (3 pieces) for paint needle and air piston
133991	Air piston head (packing unit 3 pieces)
140582	Sealing element (packing unit 5 pieces) for fluid tip
211391	Locking screw (packing unit 3 pieces) for air micrometer
211409	CCS-Clips, green, blue, red, black (packing unit 4 pieces)
211433	Trigger kit
211441	Seal retainer with sleeve
211458	Trigger sleeve kit
211466	Air micrometer
211474	Material flow control with counter nut
211508	Sealing ring (packing unit 5 pieces)
211516	Swivel joint with seal retainer and sleeve
213025	Spindle, cpl., for round / flat spray control
1057323	Tool kit
1057357	Control knob with screw (packing unit 2 pieces)
1057414	Battery kit

Repair kit

1047522	Repair kit
82552	Air piston service unit
1173286	Maintenance Set
136960	Sealing kit



RPS multi-purpose cup system, Art. Nos and prices see page 73 ff.

SATA adam 2

211557	SATA adam 2 psi
1031715	SATA adam 2 black psi
211565	SATA adam 2 dock
211573	SATA adam 2 dock (packing unit 2 pieces)

Tool kit

1057323	<ul style="list-style-type: none"> Universal spanner Combi tool Cleaning brush CCS clips Paint strainer
1097379	Universal spanner kit (pack of 3 pieces)

Maintenance Set

1173286	<ul style="list-style-type: none"> 1 Sealing ring for air cap 211508 1 Sealing element for fluid tip 140582 1 Air piston rod 86843 1 Seal retainer 133942 1 Spindler seal 133934 1 Teflon seal for air piston 1 Paint needle packing 15438
---------	---

Errors, technical modifications and printing errors reserved.

SATAjet 5000 B

RP/HVLP



SPRAY GUNS

CUP SYSTEMS

BREATHING PROTECTION

FILTER TECHNOLOGY

ACCESSORIES

MERCHANDISING ITEMS

Technical data:	RP	HVLP
Inlet pressure	Operating range (Field of application): 7 psi - 35 psi Compliant: max. 29 psi	Operating range (Field of application): 7 psi - 35 psi Compliant: max. 29 psi
Air consumption at 29 psi bar	10.2 cfm	15.2 cfm
Spray distance	Operating range (Field of application): 10 cm - 21 cm Recommended: 17 cm - 21 cm	Operating range (Field of application): 10 cm - 21 cm Recommended: 10 cm - 15 cm

	1.0	1.1	1.2	1.2 W	WSB	1.3	1.4
Standard with RPS multi-purpose cup 0.3 l / 0.6 l / 0.9 l (each 1x) with swivel joint							
RP	-	215640	209858	209866	-	209874	209882
HVLP	210732	-	210740	-	210575	210765	210799
Nozzle set							
RP	210245	210252	210260	210278	-	210286	210294
HVLP	210955	-	210963	-	210971	210989	211011

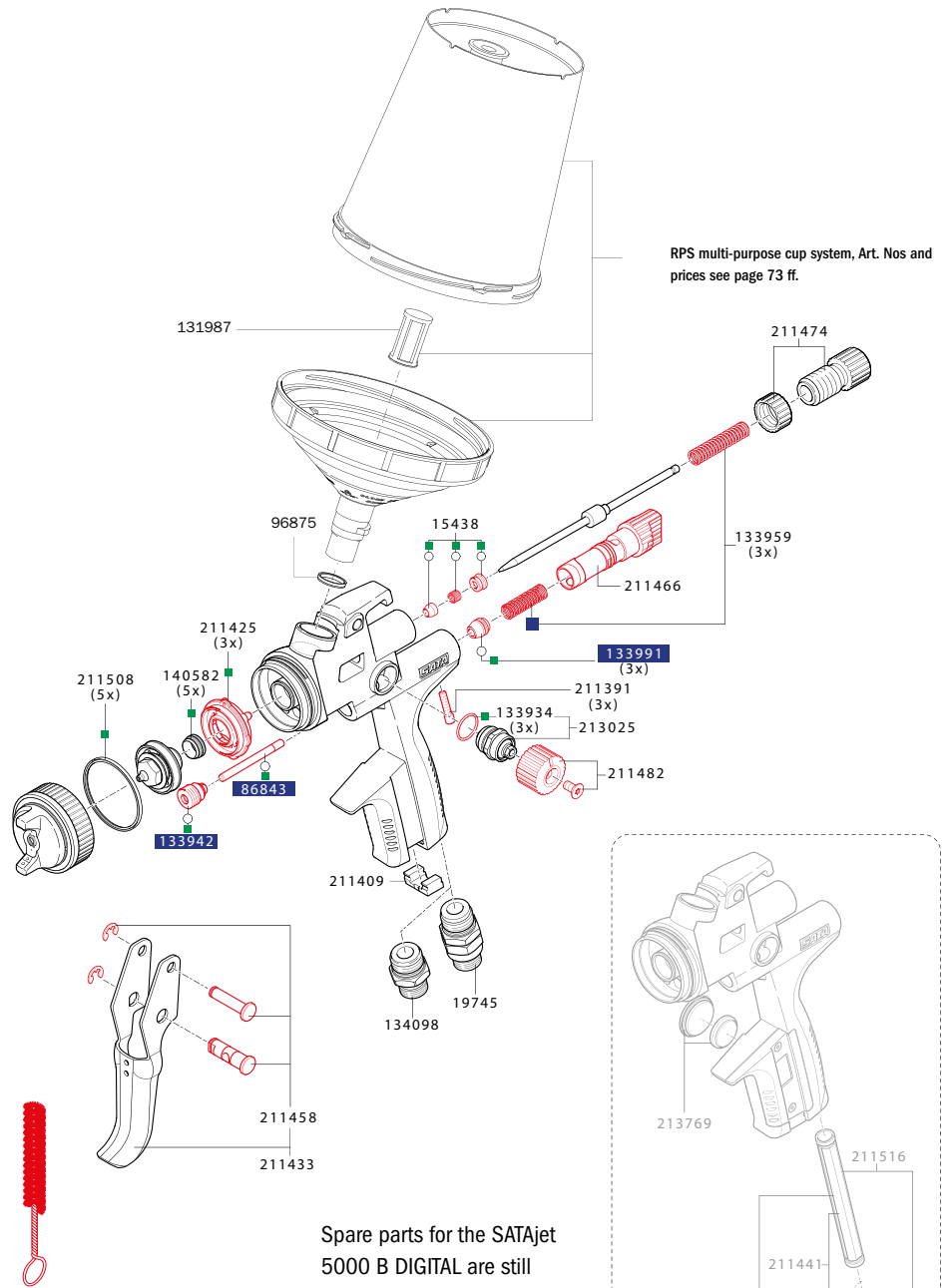
	1.5	1.6	1.7	1.8	1.9	2.0	2.2	2.5
Standard with RPS multi-purpose cup 0.3 l / 0.6 l / 0.9 l (each 1x) with swivel joint								
RP	-	209890	-	209908	-	209916	-	-
HVLP	210823	-	210831	-	210849	-	210856	-
Nozzle set								
RP	-	210302	-	210310	-	210328	-	210336
HVLP	211045	-	211052	-	211060	-	211078	-

Errors, technical modifications and printing errors reserved.

Spare Parts




SATAjet 5000 B

131987	Spare plug-in sieve 200 µm, pastel green (packing unit 100 pieces)
15438	Paint needle packing
19745	Swivel joint
86843	Air piston rod
96875	PVC insert for paint spray guns with QCC cup connection
133934	Sealing (packing unit 3 pieces) for spindle
133942	Seal retainer, cpl.
133959	Spring Kit - pressure spring (3 pieces) for paint needle and air piston
133991	Air piston head (packing unit 3 pieces)
134098	Air connection piece 1/4" (male thread)
140582	Sealing element (packing unit 5 pieces) for fluid tip
211391	Locking screw (packing unit 3 pieces) for air micrometer
211409	CCS-Clips, green, blue, red, black (packing unit 4 pieces)
211425	Air distribution ring (packing unit 3 pieces)
211433	Trigger kit
211441	Seal retainer with sleeve
211458	Trigger sleeve kit
211466	Air micrometer
211474	Material flow control with counter nut
211482	Control knob with screw (each 2 pieces)
211490	Air connection with sleeve
211508	Sealing ring (packing unit 5 pieces)
211516	Swivel joint with seal retainer and sleeve
213025	Spindle, cpl., for round / flat spray control
213769	Battery kit
Repair kit	
211532	Repair kit
82552	Air piston service unit
1050674	Maintenance Set
136960	Sealing kit




Spare parts for the SATAjet 5000 B DIGITAL are still available.


SATA adam 2

211557	SATA adam 2 psi	
1031715	SATA adam 2 black psi	
211565	SATA adam 2 dock	
211573	SATA adam 2 dock (packing unit 2 pieces)	

Tool kit

211524	<ul style="list-style-type: none"> · Universal spanner · Combi tool · Cleaning brush · CCS clips · Paint strainer · Extraction tool 	
1097379	Universal spanner kit (pack of 3 pieces)	

Maintenance Set

1050674	<ul style="list-style-type: none"> · 1 Air distribution ring/ extraction tool · 1 sealing ring for air cap ring 211508 · 1 Sealing element for fluid tip 140582 · 1 Air piston rod 86483 · 1 Seal retainer 133942 · 1 Spindler seal 133934 · 1 Teflon seal for air piston · 1 Paint needle packing 15438 	
---------	--	---

Errors, technical modifications and printing errors reserved.

SATAjet 1500 B SoLV

RP/HVLP



Technical data:	RP	HVLP
Inlet pressure	7 psi - 35 psi	7 psi - 35 psi
Air consumption at 26 psi bar	10.2 cfm	12.4 cfm
Spray distance	17 cm - 21 cm	10 cm - 15 cm



	1.3	1.4		
Standard with RPS multi-purpose cup 0.3 l / 0.6 l / 0.9 l (each 1x)				
RP	1010892	1010917		
HVLP	1010925	1010933		
Nozzle set				
RP	1010941	1010959		
HVLP	1010967	1010975		

SPRAY GUNS

CUP SYSTEMS

BREATHING PROTECTION

FILTER TECHNOLOGY

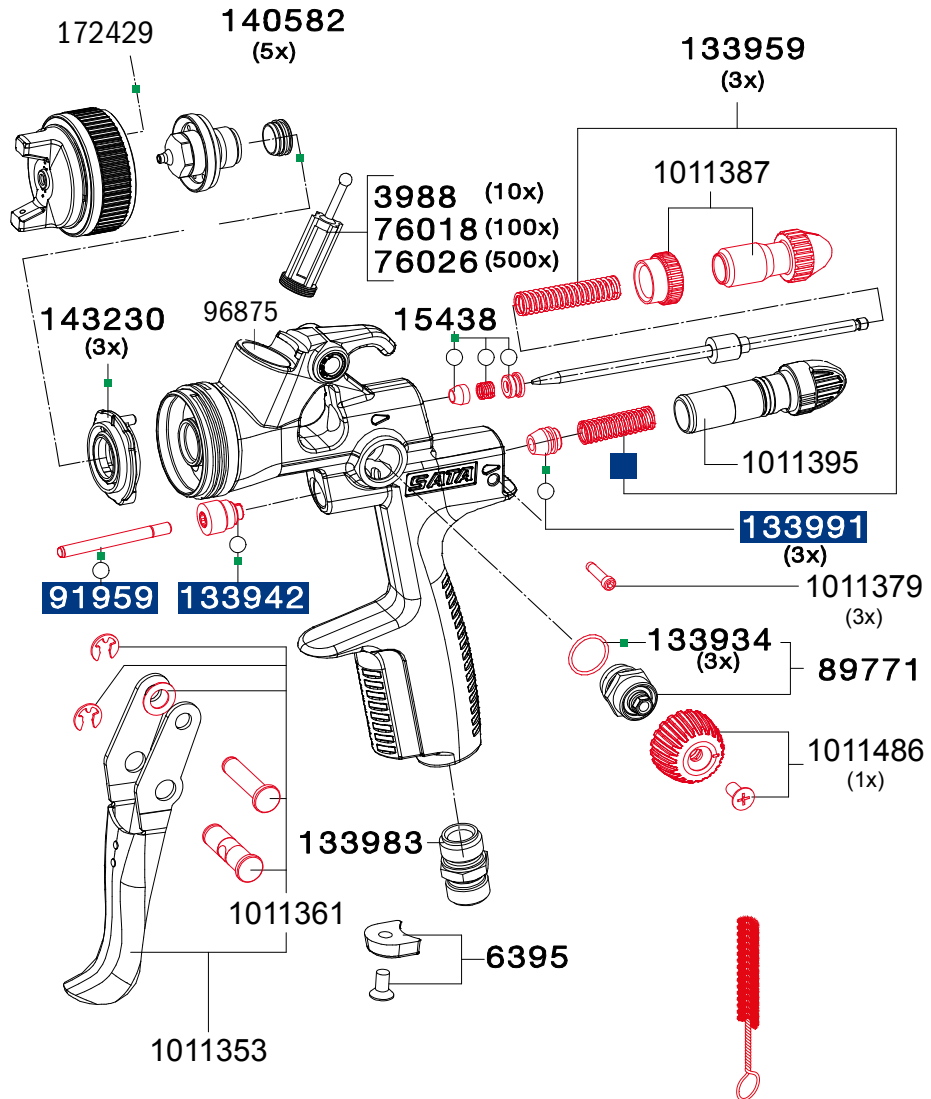
ACCESSORIES

MERCHANDISING ITEMS




Spare parts

SATAJet 1500 B SolV

3988	Paint strainer, 300 µm (packing unit 10 pieces)
6395	CCS Clips, green, blue, red, black packing unit 4 pieces)
15438	Paint needle packing
76018	Paint strainer, 300 µm (packing unit 100 pieces)
76026	Paint strainer, 300 µm (packing unit 500 pieces)
89771	Spindle, cpl., f. round / flat spray control
91959	Air piston rod
96875	Inner gun seal
1011353	Trigger kit
1011361	Trigger sleeve kit
172429	Air cap seal, 5 pk
133934	Sealing (packing unit 3 pieces) for spindle
133942	Seal retainer, cpl.
133959	Spring Kit - pressure spring (3 pieces) for paint needle and air piston
1011379	Locking screw (packing unit 3 pieces) for air micro-meter
133983	Air connection piece 1/4" male thread
133991	Air piston head (packing unit 3 pieces)
1011387	Material flow control with counter nut
1011395	Air micrometer
1011486	Control knob with screw (packing unit 2 pieces)
140582	Sealing element (packing unit 5 pieces) for fluid tip
143230	Air distribution ring (packing unit 3 pieces)



SATA adam 2

211557	SATA adam 2 psi	
1031715	SATA adam 2 black psi	
211565	SATA adam 2 dock	
211573	SATA adam 2 dock (packing unit 2 pieces)	

Repair kit

1011527	Repair kit
92759	Air piston service unit
1173278	Maintenance Set
136960	Sealing kit

Tool kit

9050	<ul style="list-style-type: none"> · Extraction tool · Paint strainer · Cleaning brush · Allen wrench 2 mm width · Allen wrench 4 mm width · Universal spanner 	
------	--	---

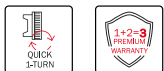
Maintenance Set

1173286	<ul style="list-style-type: none"> · 1 Air distribution ring/ extraction tool · 1 sealing ring for air cap ring 1742429 · 1 Sealing element for fluid tip 140582 · 1 Air piston rod 91959 · 1 Seal retainer 133942 · 1 Spindle seal 133934 · 1 Paint needle packing 15438 	
---------	--	---

Errors, technical modifications and printing errors reserved.

SATAjet K 1800 spray mix

spray mix



Technical Data	SATAjet K 1800 spray mix
Recommended air inlet pressure	variable
Recommended spraying distance	18 - 25 cm
Air consumption	4.2 cfm
Max. material inlet pressure	3626 psi

Spray mix gun

1091454

SATAjet K 1800 spray mix with material tube and material filter, long for inline filter, filter 100 msh, without fluid tip

1090076

SATAjet K 1800 spray mix with material tube and material filter, short for gap filter, filter 100 msh, without fluid tip

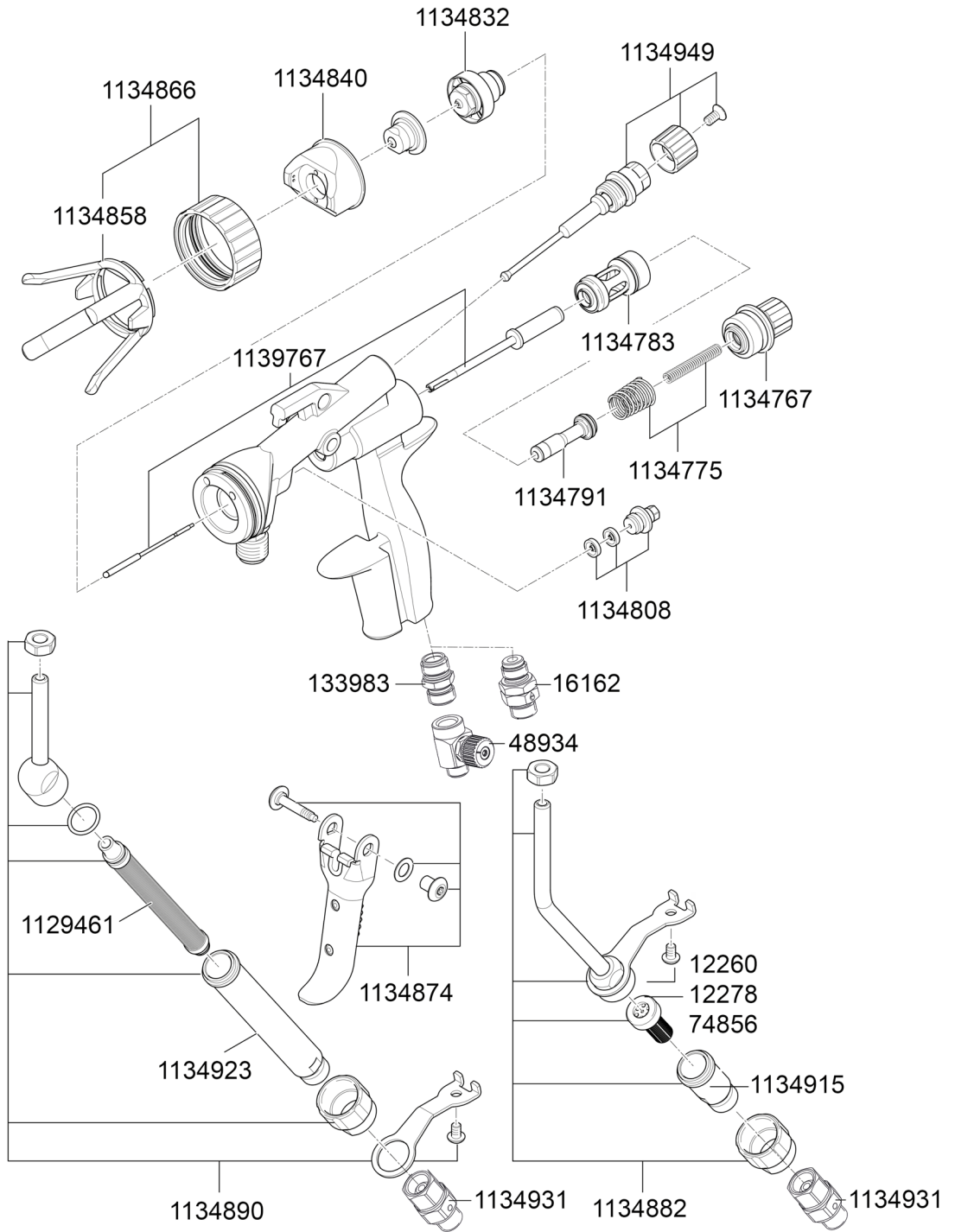
1068023

SATAjet K 1800 spray mix without material tube and material filter, without fluid tip

Nozzle No.	Art. No.	Ø mm	Ø inch	Angle	Width	l/min at 70 bar	Strainer	Strainer
Fluid tip								
1840	23044	0.18 mm	0.007 in	40°	18 cm	0.16 l/min		
2325	7328	0.23 mm	0.009 in	25°	14 cm	0.23 l/min	200 msh	85 µm
2350	7435	0.23 mm	0.009 in	50°	22 cm	0.23 l/min	200 msh	85 µm
2360	74922	0.23 mm	0.009 in	60°	24 cm	0.23 l/min	200 msh	85 µm
2825	16998	0.28 mm	0.011 in	25°	14 cm	0.30 l/min	200 msh	85 µm
2850	50906	0.28 mm	0.011 in	50°	22 cm	0.30 l/min	200 msh	85 µm
2865	13771	0.28 mm	0.011 in	65°	26 cm	0.30 l/min	200 msh	85 µm
3325	20206	0.33 mm	0.013 in	25°	14 cm	0.45 l/min	100 msh	150 µm
3350	50898	0.33 mm	0.013 in	50°	23 cm	0.45 l/min	100 msh	150 µm
3365	13789	0.33 mm	0.013 in	65°	28 cm	0.45 l/min	100 msh	150 µm
3375	74930	0.33 mm	0.013 in	75°	32 cm	0.45 l/min	100 msh	150 µm
3390	73742	0.33 mm	0.013 in	90°	40 cm	0.45 l/min	100 msh	150 µm
3825	13797	0.38 mm	0.015 in	25°	15 cm	0.61 l/min	100 msh	150 µm
3850	7344	0.38 mm	0.015 in	50°	25 cm	0.61 l/min	100 msh	150 µm
3882	74948	0.38 mm	0.015 in	82°	34 cm	0.61 l/min	100 msh	150 µm
4650	19307	0.46 mm	0.018 in	50°	25 cm	0.95 l/min	60 msh	250 µm
4682	74955	0.46 mm	0.018 in	82°	35 cm	0.95 l/min	60 msh	250 µm
5370	150276	0.53 mm	0.021 in	70°	33 cm	1.28 l/min	60 msh	250 µm
6050	17004	0.60 mm	0.024 in	50°	31 cm	1.59 l/min	60 msh	250 µm

Spare parts
SATAjet K 1800
spray mix

1129461
Plug-in filter, yellow, 100 mesh, pack of 10 pieces
1134767
Locking screw cpl. with sealing washer
1134775
Spare spring set (1 each air piston and paint needle spring)
1134783
Air piston sleeve cpl.
1134791
Air piston cpl.
1134808
Packing screw incl. 2 pcs. paint needle packing
1134832
Pre-nozzle cpl.
1134840
Air cap cpl.
1134858
Protection against accidental contact
1134866
Air cap ring cpl.
1134874
Trigger cpl.
1134882
Material connection, short, for wedge wire screen, without material filter housing
1134890
Material connection, long, for inline filter, without material filter housing
1134915
Material filter housing, short, for wedge wire screen
1134923
Material filter housing, long, for inline filter
1134931
Material swivel joint
1134949
Round/flat spray fan control cpl.
1139767
Paint needle cpl. (paint needle and paint needle rod)
12260
Sieve 60 msh (packing unit 4 pieces)
12278
Sieve, 100 msh (packing unit 4 pieces)
133983
Air connection piece 1/4" male thread
16162
Swivel joint
74856
Strainer kit: Sieve 200 msh (4 pcs.) strainer holder (2 pcs.), screw (1 pcs.)



Repair kit

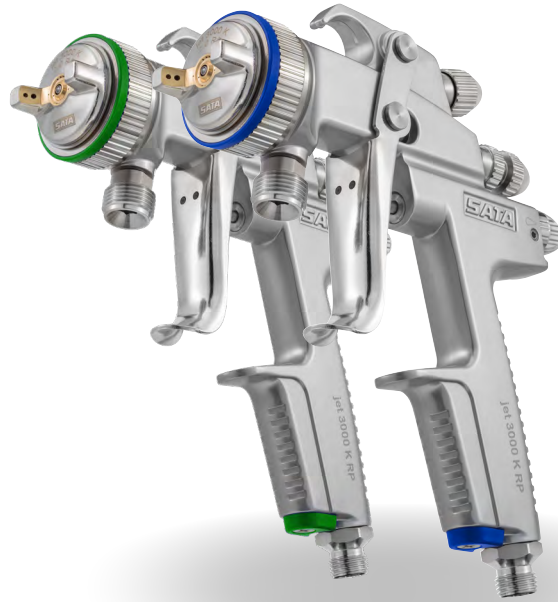
1112854
 Nozzle cleaning kit

SATAjet 3000 K

RP/HVLP



Technical data:	RP	HVLP
Inlet pressure	35 psi - 44 psi	35 psi
Air consumption at 35 psi bar	15.2 cfm	19.8 cfm
Spray distance:	17 cm - 21 cm	10 cm - 15 cm
Material connection:	3/8" male thread	



SPRAY GUNS

CUP SYSTEMS

BREATHING PROTECTION

FILTER TECHNOLOGY

ACCESSORIES

MERCHANDISING ITEMS

	0.8	1.0	1.1	1.2	1.3	1.4	1.5	1.6	1.7	2.0
--	-----	-----	-----	-----	-----	-----	-----	-----	-----	-----

Standard gun Standard (STD) Nozzle

RP	92932	-	93336	-	93344	-	93351	-	93369	93377
HVLP	93385	92924	-	93393	-	193656	-	96164	-	96172

Standard gun Specially Treated (ST) Nozzle

RP	-	-	141994	-	142265	-	-	-	196535	137844
HVLP										

Nozzle Set - Standard (STD)

RP	92494	-	92502	-	92510	-	92528	-	95422	95356
HVLP	92783	92791	-	92809	-	191379	-	92817	-	92825

Nozzle Set - Specially Treated (ST)

RP	141317	-	137901	-	137919	-	137927	-	137935	-
HVLP	-	137950	-	137968	-	CALL	-	137976	-	137984

Test Air Cap

HVLP	95059	95059	-	95067	-	95067	-	95067	-	95067
------	-------	-------	---	-------	---	-------	---	-------	---	-------

Required accessories for SATA pressure fed spray guns

92031
SATA paint tube G 3/8" (female thread) - 3/8" (male thread) for SATA pressure fed spray guns



38265
SATA paint strainer 60 msh, G 3/8" (female thread) and 3/8" (male thread) for SATA pressure fed spray gun except for SATAmijet



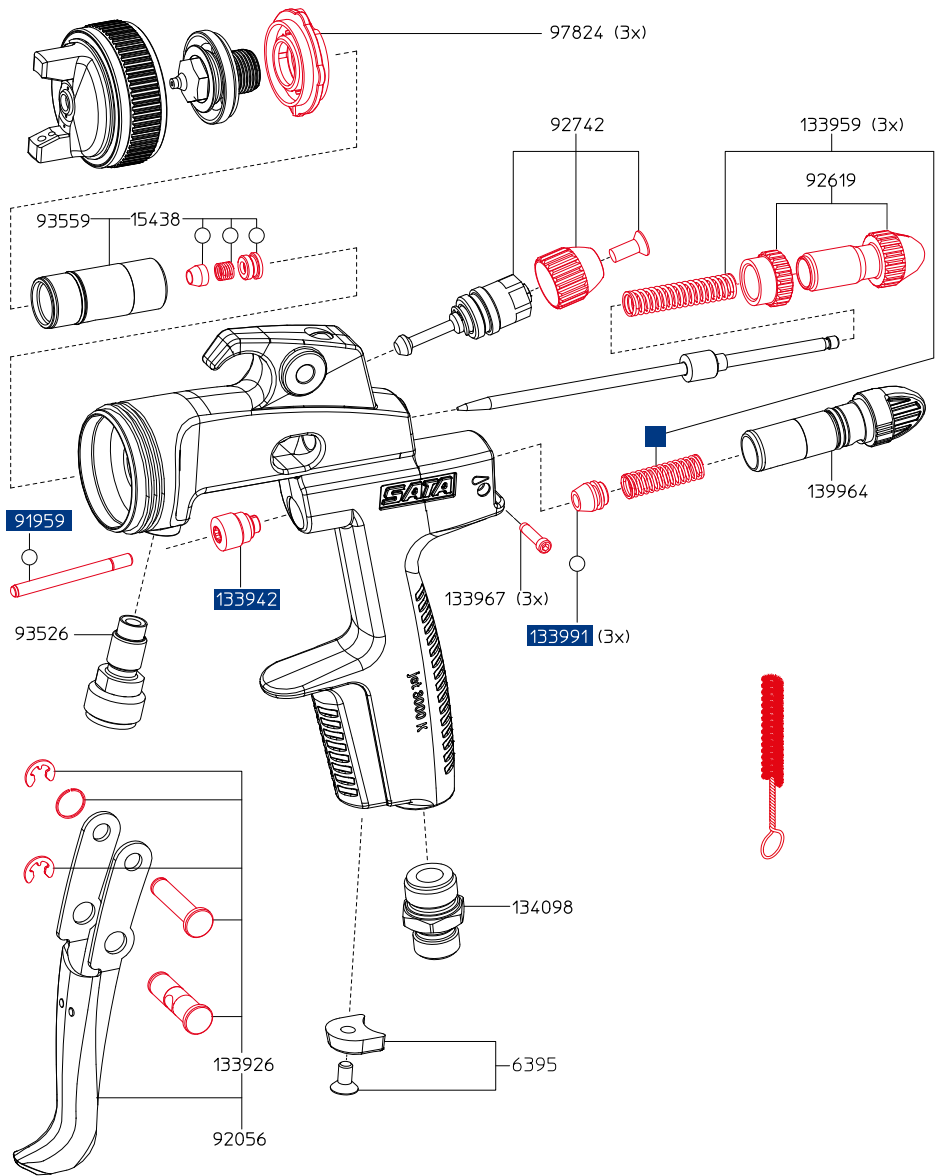
- Upon request: spray guns and nozzle sets with surface treatment for increased lifetime of the fluid tip and paint needle.
- Further accessories as well as material and air connections see pages 52 and 70|71.

Errors, technical modifications and printing errors reserved.

Spare Parts

SATAjet 3000 K

6395	CCS Clips, green, blue, red, black packing unit 4 pieces)
15438	Paint needle packing
91959	Air piston rod
92056	Trigger kit
92619	Material flow control with counter nut
92742	Round/flat spray control
93526	Material connection, stainless steel
93559	Insert, stainless steel
97824	Air distribution ring (3 pieces)
133926	Trigger sleeve kit
133942	Seal retainer, cpl.
133959	Spring Kit - pressure spring (3 pieces) for paint needle and air piston
133967	Adjustment screw (packing unit 3 pieces) for air micrometer
133991	Air piston head (packing unit 3 pieces)
134098	Air connection piece 1/4" (male thread)
139964	Air micrometer



SATA adam 2

160853
SATA adam 2 psi



Tool kit

- 9050
- Extraction tool
 - Paint strainer
 - Cleaning brush
 - Allen wrench 2 mm width
 - Allen wrench 4 mm width
 - Universal spanner



Repair kit

- 92767
Repair kit
- 92759
Air piston service unit
- 183780
Sealing kit

SATAjet 1000 B

The multi-talent!

The allround spray guns
for craft and industry



SPRAY GUNS

CUP SYSTEMS

BREATHING PROTECTION

FILTER TECHNOLOGY

ACCESSORIES

MERCHANDISING ITEMS

SATAjet 1000 B

RP/HVLP



Technical data:	RP	HVLP
Inlet pressure	22 psi - 29 psi	29 psi
Air consumption at 29 psi bar	9.7 cfm	12.4 cfm
Spray distance	17 cm - 21 cm	13 cm - 17 cm



	0.8	1.0	1.3	1.4	1.6	1.7	1.8
Spray gun with 0.6 l QCC reusable PVC gravity flow cup without swivel joint							
RP	151183	151191	149302	-	149310	-	150391
HVLP	-	-	-	149377	-	149385	-
Spray gun with 0.75 l QCC reusable PVC gravity flow cup without swivel joint							
RP	151225	151233	150342	-	149344	-	150409
HVLP	-	-	-	149419	-	149427	-
Nozzle set							
RP	151316	151324	149161	-	149179	-	150417
HVLP	-	-	-	149195	-	149203	-

► For more versions see the next page.

1.9	2.0	2.1	2.5	3.0	4.0	5.0
-----	-----	-----	-----	-----	-----	-----

Spray gun with 0.6 l QCC reusable PVC gravity flow cup without swivel joint

RP	-	149328	-	151209	151217	-	-
RP	-	-	-	-	-	154161	-
HVLP	149393	-	149401	-	-	-	-

Spray gun with 0.75 l QCC reusable PVC gravity flow cup without swivel joint

RP	-	149351	-	151241	151258	-	-
RP	-	-	-	-	-	154179	-
HVLP	149435	-	149443	-	-	-	-

Nozzle set

RP	-	149187	-	151332	151340	-	-
RP	-	-	-	-	-	154187	154195
RP	HIGH-VISCOSITY >			222372	222380	-	-
HVLP	149211	-	149229	-	-	-	-

SATAjet 1000 B RP for glue applications

164962

SATAjet 1000 B RP nozzle 1.6 D twisted round spray 0.6 l QCC reusable plastic cup

164970

Nozzle set SATAjet 1000 B RP 1.6 twisted round spray

214320

SATAjet 1000 B RP nozzle 1.3 DA pressurised cup spray gun for dispersion glues, incl. SATA BVD add-on kit

214338

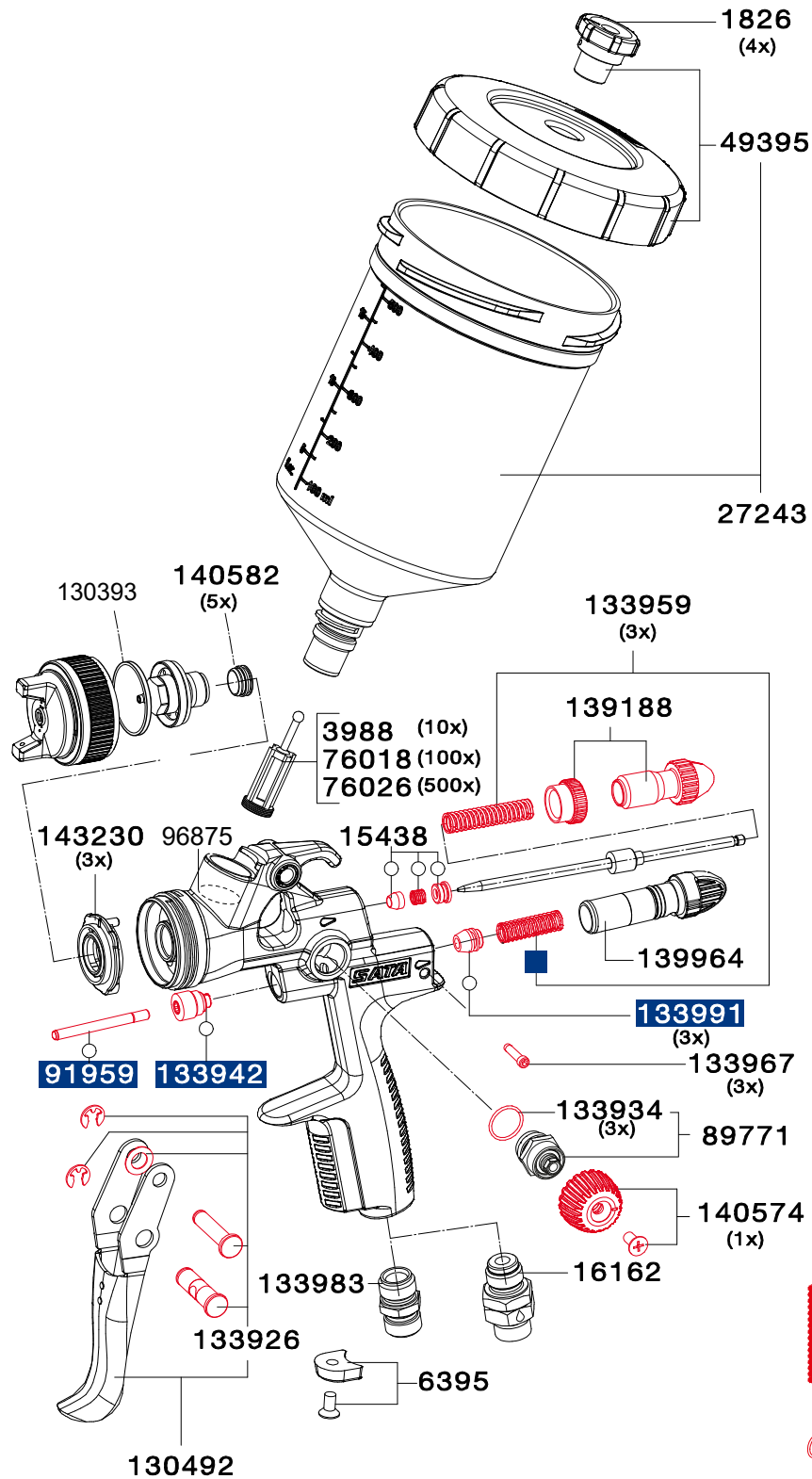
Nozzle set SATAjet 1000 B RP 1.3 DA for dispersion glues

▶ Extensions see page 50.

Spare Parts

SATAjet 1000 B

1826	Anti-drip device (packing unit 4 pieces)
3988	Paint strainer, 300 µm (packing unit 10 pieces)
6395	CCS Clips, green, blue, red, black packing unit 4 pieces)
15438	Paint needle packing
16162	Swivel joint
27243	Reusable plastic cup, 0.6 l with QCC without fine thread
49395	Screw-on lid for 0.6 l PVC cup with drip-catching ring and non-drip device
76018	Paint strainer, 300 µm (packing unit 100 pieces)
76026	Paint strainer, 300 µm (packing unit 500 pieces)
89771	Spindle, cpl., f. round / flat spray control
91959	Air piston rod
96875	PVC insert for paint spray guns with QCC cup connection
130393	Sealing ring for air cap ring SATAjet 100 and 1000
130492	Trigger kit
133926	Trigger sleeve kit
133934	Sealing (packing unit 3 pieces) for spindle
133942	Seal retainer, cpl.
133959	Spring Kit - pressure spring (3 pieces) for paint needle and air piston
133967	Adjustment screw (packing unit 3 pieces) for air micrometer
133983	Air connection piece 1/4" male thread
133991	Air piston head (packing unit 3 pieces)
139188	Material flow control with counter nut
139964	Air micrometer
140574	Control knob with screw
140582	Sealing element (packing unit 5 pieces) for fluid tip
143230	Air distribution ring (packing unit 3 pieces)



Errors, technical modifications and printing errors reserved.

Tool kit

- 9050
- Extraction tool
- Paint strainer
- Cleaning brush
- Allen wrench 2 mm width
- Allen wrench 4 mm width
- Universal spanner



1097379
Universal spanner kit (pack of 3 pieces)

Repair kit

- 130542
Repair kit
- 92759
Air piston service unit
- 183780
Sealing kit

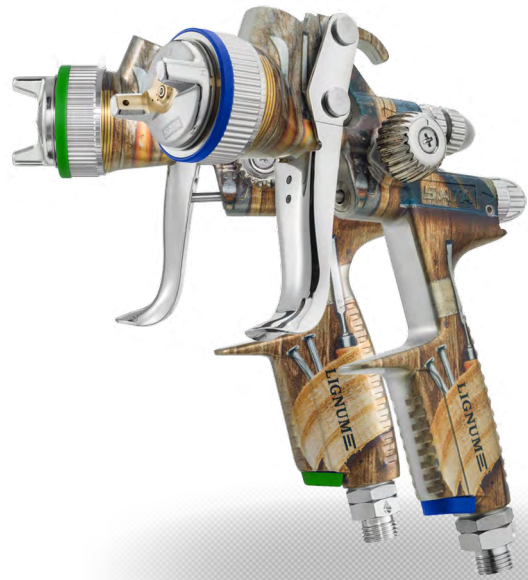
SATAjet 1000 B

Lignum 3

RP/HVLP



Technical data:	RP	HVLP
Inlet pressure	22 psi - 29 psi	29 psi
Air consumption at 29 psi bar	9.7 cfm	12.4 cfm
Spray distance	17 cm - 21 cm	13 cm - 17 cm



1.3	1.4	1.6	1.7	1.8	1.9	2.0	2.5
-----	-----	-----	-----	-----	-----	-----	-----

Spray gun with 0.6 l QCC reusable PVC gravity flow cup with swivel joint

RP	1107805	-	1107813	-	1107821	-	1107839	1107847
HVLP	-	1107772	-	1107780	-	1107798	-	-

Nozzle set

RP	149161	-	149179	-	150417	-	149187	151332
HVLP	-	149195	-	149203	-	149211	-	-

SPRAY GUNS

CUP SYSTEMS

BREATHING PROTECTION

FILTER TECHNOLOGY

ACCESSORIES

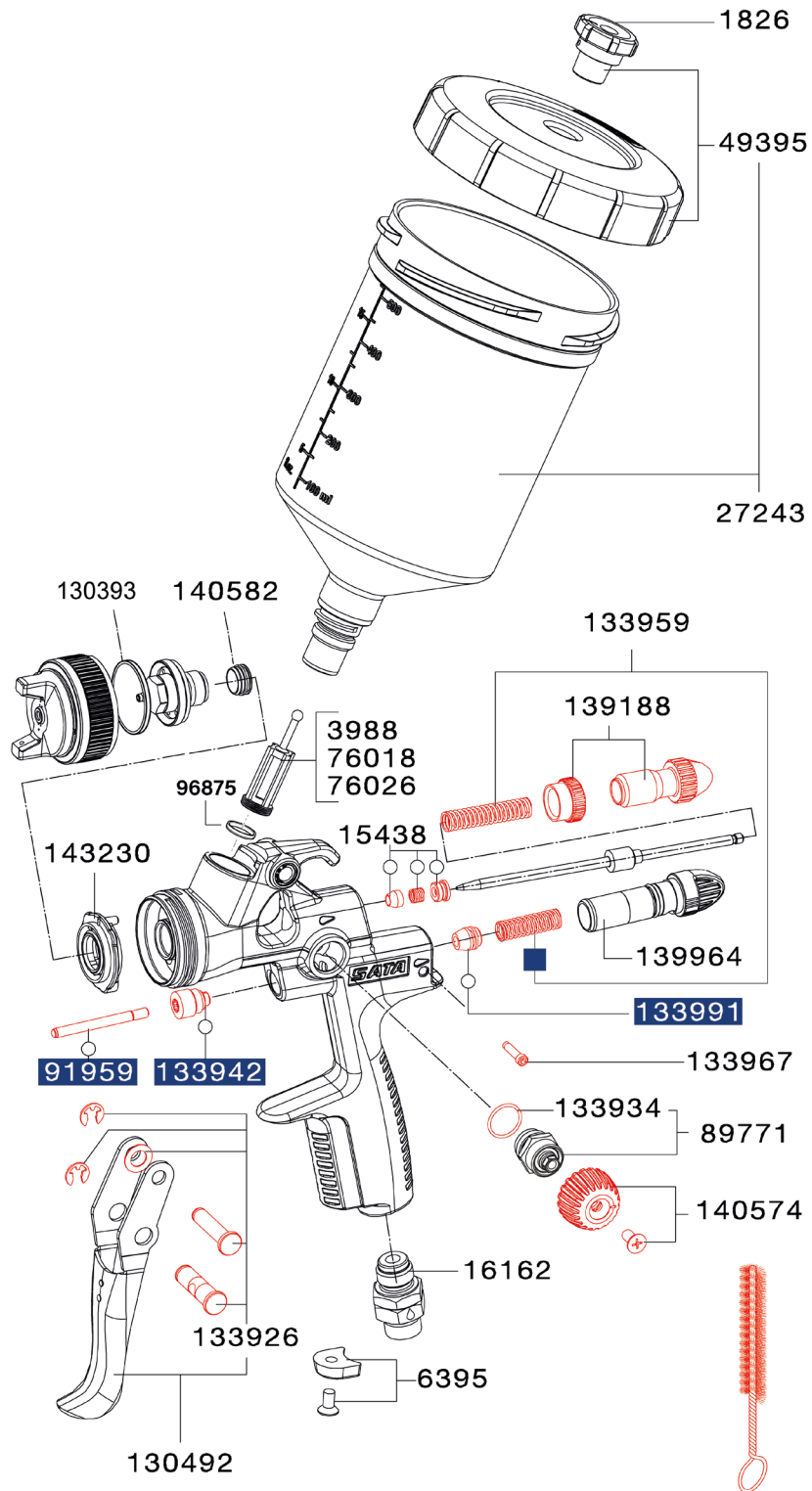
MERCHANDISING ITEMS

Errors, technical modifications and printing errors reserved.

Spare parts

**SATAjet 1000 B
LIGNUM 3**

1826	Anti-drip device (packing unit 4 pieces)
3988	Paint strainer, 300 µm (packing unit 10 pieces)
6395	CCS Clips, green, blue, red, black packing unit 4 pieces)
15438	Paint needle packing
16162	Swivel joint
27243	Reusable plastic cup, 0.6 l with QCC without fine thread
49395	Screw-on lid for 0.6 l PVC cup with drip-catching ring and non-drip device
76018	Paint strainer, 300 µm (packing unit 100 pieces)
76026	Paint strainer, 300 µm (packing unit 500 pieces)
89771	Spindle, cpl., f. round / flat spray control
91959	Air piston rod
96875	PVC insert for paint spray guns with QCC cup connection
130393	Sealing ring for air cap ring SATAjet 100 and 1000
130492	Trigger kit
133926	Trigger sleeve kit
133934	Sealing (packing unit 3 pieces) for spindle
133942	Seal retainer, cpl.
133959	Spring Kit - pressure spring (3 pieces) for paint needle and air piston
133967	Adjustment screw (packing unit 3 pieces) for air micrometer
133983	Air connection piece 1/4" male thread
133991	Air piston head (packing unit 3 pieces)
139188	Material flow control with counter nut
139964	Air micrometer
140574	Control knob with screw
140582	Sealing element (packing unit 5 pieces) for fluid tip
143230	Air distribution ring (packing unit 3 pieces)



Tool kit

- 9050
- Extraction tool
- Paint strainer
- Cleaning brush
- Allen wrench 2 mm width
- Allen wrench 4 mm width
- Universal spanner



1097379
Universal spanner kit (pack of 3 pieces)

Repair kit

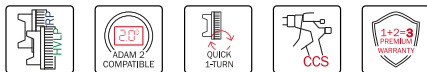
- 130542
Repair kit
- 92759
Air piston service unit
- 183780
Sealing kit

Errors, technical modifications and printing errors reserved.



SATAjet 1000 K

RP/HVLP



Technical data:	RP	HVLP
Inlet pressure	35 psi	35 psi
Air consumption at 35 psi bar	14.5 cfm	18.7 cfm
Spray distance	17 cm - 21 cm	10 cm - 15 cm
Material connection	3/8" male thread	



	0.8	1.0	1.1	1.2	1.3	1.4	1.5
--	-----	-----	-----	-----	-----	-----	-----

Spray gun

RP	132092	-	132100	-	132118	-	132126
HVLP	139196	139204	-	139212	-	193664	-

Spray gun with lifetime prolonging surface on fluid tip and paint needle

RP	141903	-	141911	-	141929	-	141937
HVLP	141960	141978	-	141986	-	-	-

Nozzle set

RP	132159	-	132167	-	132175	-	132183
HVLP	139253	139261	-	139279	-	191387	-

Nozzle set with lifetime prolonging surface of fluid tip and paint needle

RP	141648	-	141655	-	141663	-	141689
HVLP	141762	141770	-	141804	-	-	-

▶ For more versions see the next page.

1.6	1.7	2.0	2.5	3.0	4.0	5.0
-----	-----	-----	-----	-----	-----	-----

Spray gun

RP	-	132134	132142	153486	153494		
RP						154336	-
HVP	139220	-	139238	-	-	-	-

Spray gun with lifetime prolonging surface on fluid tip and paint needle

RP	-	141945	141952	-	-	-	-
HVP	142000	-	142018	-	-	-	-

Spray gun with slit nozzle

RP	-	-	-	154344	154351	154369	-
----	---	---	---	--------	--------	--------	---

Nozzle set

RP	-	132191	132209	153528	153536		
RP						154377	154385
HVP	139287	-	139295	-	-	-	-

Nozzle set with lifetime prolonging surface of fluid tip and paint needle

RP	-	141697	141705	159442	-	-	-
HVP	141812	-	141838	-	-	-	-

Slit nozzle set

RP				154393	154401	154419	-
----	--	--	--	--------	--------	--------	---

SATAjet 1000 K RP for adhesive applications

161232
SATAjet 1000 K RP nozzle 1.6 D twisted round spray, material connection 3/8" (male thread)

159707
Nozzle set SATAjet 1000 K RP 1.6 twisted round spray

211979
SATAjet 1000 K RP nozzle 1.3 DA for dispersion adhesives, material connection 3/8" (male thread)

211961
Nozzle set SATAjet 1000 K RP 1.3 DA, for dispersion adhesives

Required accessories for SATA pressure fed spray guns



92031
SATA paint tube G 3/8" (female thread) - 3/8" (male thread) for SATA pressure fed spray guns



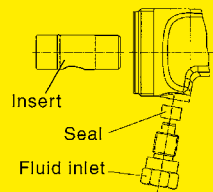
38265
SATA paint strainer 60 msh, G 3/8" (female thread) and 3/8" (male thread) for SATA pressure fed spray gun except for SATAminijet




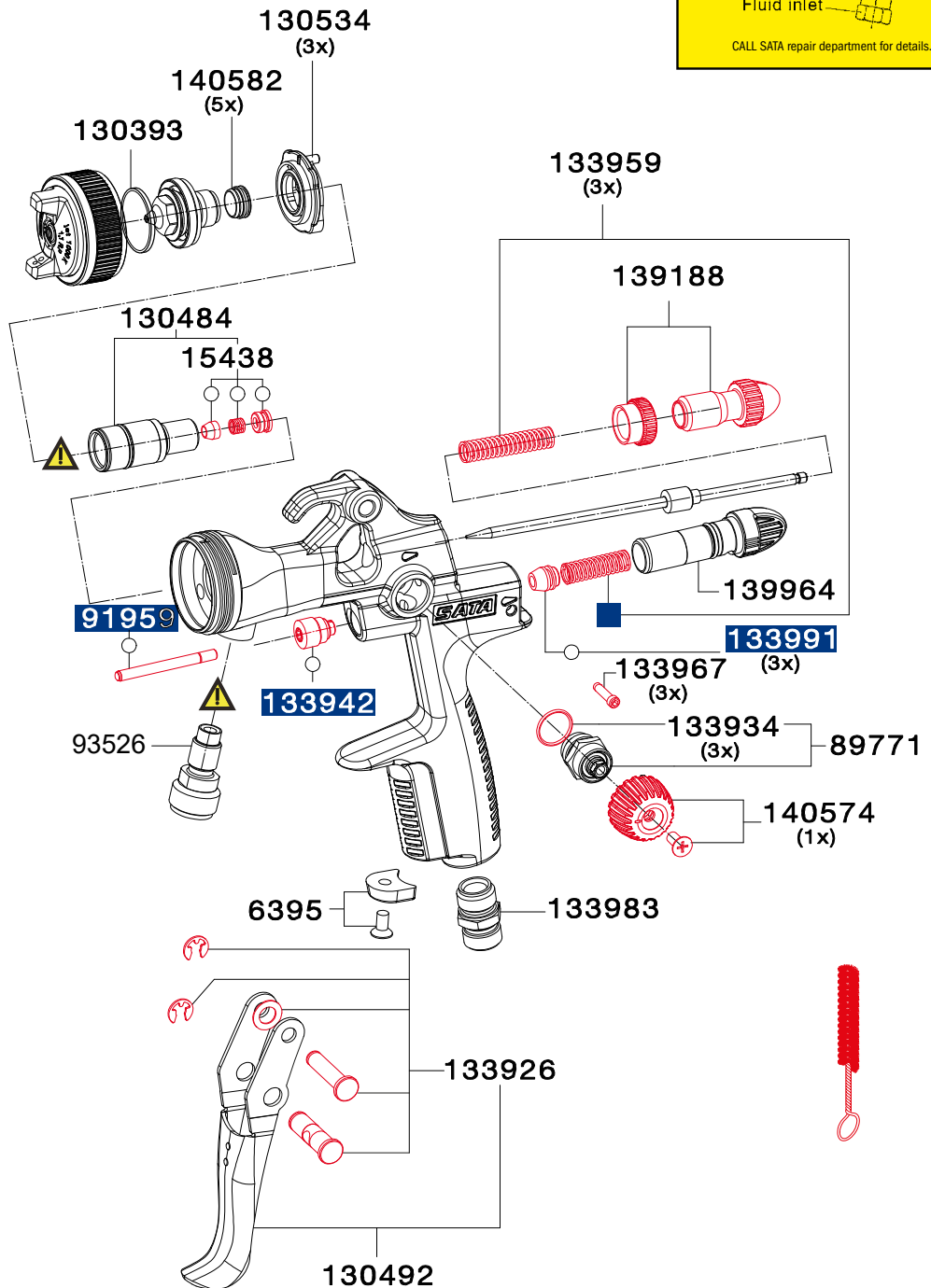
Spare Parts
SATAjet® 1000 K

6395	CCS Clips, green, blue, red, black packing unit 4 pieces)
15438	Paint needle packing
89771	Spindle, cpl., f. round / flat spray control
91959	Air piston rod
93526	Material connection, stainless steel 
130393	Sealing ring for air cap ring SATAjet 100 and 1000
130484	Insert, cpl. 
130492	Trigger kit
130534	Air distribution ring (packing unit 3 pieces)
133926	Trigger sleeve kit
133934	Sealing (packing unit 3 pieces) for spindle
133942	Seal retainer, cpl.
133959	Spring Kit - pressure spring (3 pieces) for paint needle and air piston
133967	Adjustment screw (packing unit 3 pieces) for air micrometer
133983	Air connection piece 1/4" male thread
133991	Air piston head (packing unit 3 pieces)
139188	Material flow control with counter nut
139964	Air micrometer
140574	Control knob with screw
140582	Sealing element (packing unit 5 pieces) for fluid tip

Do not remove the insert, seal, and fluid inlet. Special tools are required.



 CALL SATA repair department for details.



Tool kit

- 9050
- Extraction tool
- Paint strainer
- Cleaning brush
- Allen wrench 2 mm width
- Allen wrench 4 mm width
- Universal spanner



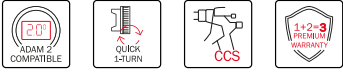
1097379
Universal spanner kit (pack of 3 pieces)

Repair kit

- 130542
Repair kit
- 92759
Air piston service unit
- 183780
Sealing kit

SATAjet 1000 H

RP



Technical data:	RP
Inlet pressure	29 psi
Air consumption at 29 psi bar	9.7 cfm
Spray distance	17 cm - 21 cm



1.3	1.6	1.8	2.0
-----	-----	-----	-----

Standard with 1.0 l aluminium siphon cup **without** swivel joint

RP	161034	151266	151274	153353	
----	--------	--------	--------	--------	--

Nozzle set

RP	161059	151613	151621	153379	
----	--------	--------	--------	--------	--

SPRAY GUNS

CUP SYSTEMS

BREATHING PROTECTION


FILTER TECHNOLOGY

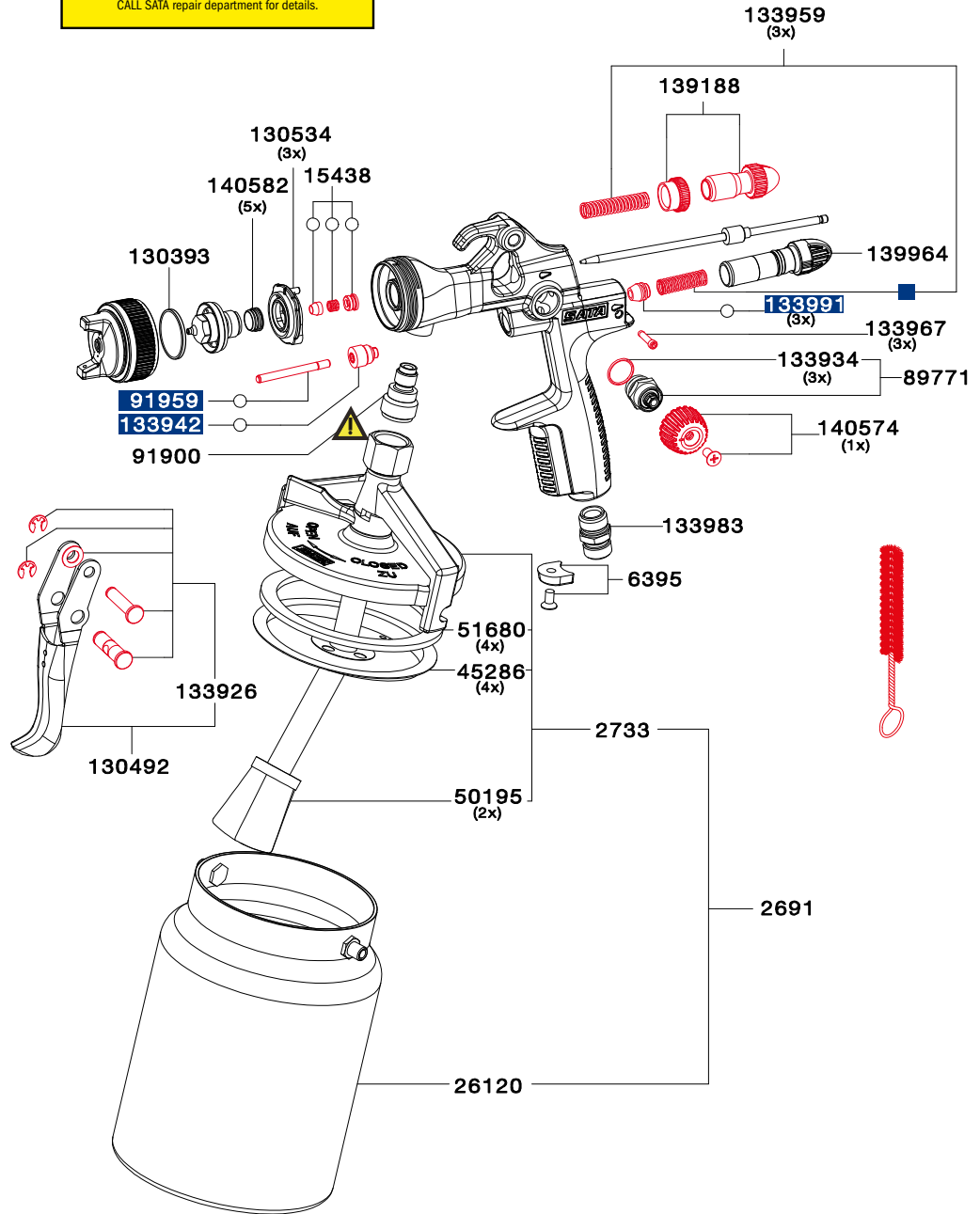
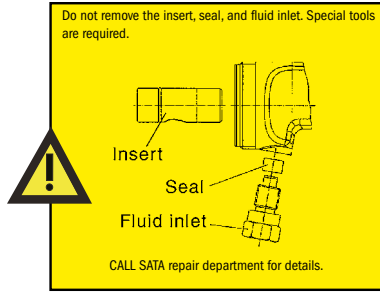
ACCESSORIES

MERCHANDISING ITEMS

Spare Parts

SATAjet 1000 H

2691	1.0 l aluminium suction cup, cpl.
2733	Lid fitting
6395	CCS Clips, green, blue, red, black packing unit 4 pieces)
15438	Paint needle packing
26120	1.0 l aluminium suction cup, without lid
45286	Anti-drip device (pack of 4 pieces)
50195	Strainer (packing unit 2 pieces)
51680	Sealing ring (packing unit 4 pieces)
89771	Spindle, cpl., f. round / flat spray control
91900	Material connection, stainless steel 
91959	Air piston rod
130393	Sealing ring for air cap ring SATAjet 100 and 1000
130492	Trigger kit
130534	Air distribution ring (packing unit 3 pieces)
133926	Trigger sleeve kit
133934	Sealing (packing unit 3 pieces) for spindle
133942	Seal retainer, cpl.
133959	Spring Kit - pressure spring (3 pieces) for paint needle and air piston
133967	Adjustment screw (packing unit 3 pieces) for air micrometer
133983	Air connection piece 1/4" male thread
133991	Air piston head (packing unit 3 pieces)
139188	Material flow control with counter nut
139964	Air micrometer
140574	Control knob with screw
140582	Sealing element (packing unit 5 pieces) for fluid tip



Errors, technical modifications and printing errors reserved.

Tool kit

- 9050
- Extraction tool
- Paint strainer
- Cleaning brush
- Allen wrench 2 mm width
- Allen wrench 4 mm width
- Universal spanner



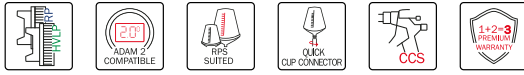
1097379
Universal spanner kit (pack of 3 pieces)

Repair kit

- 130542
Repair kit
- 92759
Air piston service unit
- 183780
Sealing kit

SATAjet 100 B F

RP/HVLP



Technical data:	RP	HVLP
Inlet pressure	22 psi - 29 psi	29 psi
Air consumption at 29 psi bar	10.2 cfm	12.4 cfm
Spray distance	17 cm - 21 cm	10 cm - 15 cm

1.1 UV	1.4	1.6	1.7	1.8	1.9	2.0	2.1	Sealer
--------	-----	-----	-----	-----	-----	-----	-----	--------

Standard with RPS multi-purpose cup 0.3 l / 0.6 l / 0.9 l (each 1x) **without** swivel joint

RP	203125	1012632	1012640	-	1012658	-	1012666	-	1100015
HVLP	-	1012674	-	1012682	-	1012690	-	1012707	

Nozzle set

RP	182600	146977	145250	-	145268	-	145276	-	1099573
HVLP	-	146381	-	145417	-	145425	-	145433	

SATAjet 100 B P

Technical data:

Inlet pressure	22 psi - 29 psi
Air consumption at 29 psi bar	8.7 cfm
Spray distance	17 cm - 21 cm

P*

Standard with RPS multi-purpose cup 0.3 l / 0.6 l / 0.9 l (each 1x) **without** swivel joint

1012715		
---------	--	--

Nozzle set

145284		
--------	--	--

* Polyester spray filler

SATA adam 2

160853
SATA adam 2 piston



Repair kit

130542
Repair kit

92759
Air piston service unit

1173260
Maintenance Set

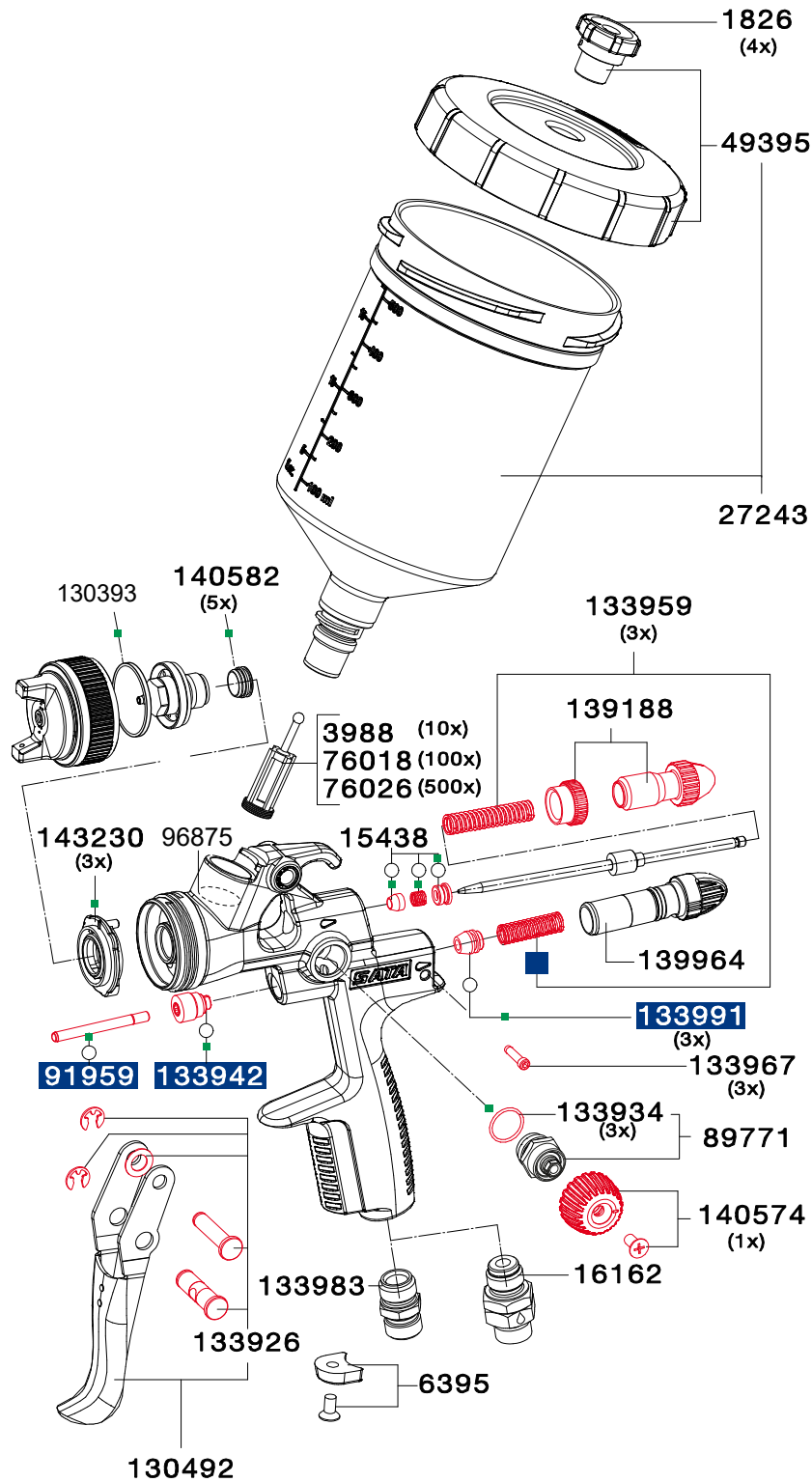
183780
Sealing kit

Errors, technical modifications and printing errors reserved.

Spare Parts

SATAjet 100 B

1826	Anti-drip device (packing unit 4 pieces)
3988	Paint strainer, 300 µm (packing unit 10 pieces)
6395	CCS Clips, green, blue, red, black packing unit 4 pieces)
15438	Paint needle packing
27243	Reusable plastic cup, 0.6 l with QCC without fine thread
49395	Screw-on lid for 0.6 l PVC cup with drip-catching ring and non-drip device
76018	Paint strainer, 300 µm (packing unit 100 pieces)
76026	Paint strainer, 300 µm (packing unit 500 pieces)
78154	Closing cap
89771	Spindle, cpl., f. round / flat spray control
91959	Air piston rod
96875	PVC insert for paint spray guns with QCC cup connection
130393	Sealing ring for air cap ring SATAjet 100 and 1000
130492	Trigger kit
133926	Trigger sleeve kit
133934	Sealing (packing unit 3 pieces) for spindle
133942	Seal retainer, cpl.
133959	Spring Kit - pressure spring (3 pieces) for paint needle and air piston
133967	Adjustment screw (packing unit 3 pieces) for air micrometer
133983	Air connection piece 1/4" male thread
133991	Air piston head (packing unit 3 pieces)
139188	Material flow control with counter nut
139964	Air micrometer
140574	Control knob with screw
140582	Sealing element (packing unit 5 pieces) for fluid tip
143230	Air distribution ring (packing unit 3 pieces)
16162	Swivel joint



Tool kit

- 9050
- Extraction tool
- Paint strainer
- Cleaning brush
- Allen wrench 2 mm width
- Allen wrench 4 mm width
- Universal spanner



1097379
Universal spanner kit (pack of 3 pieces)

Maintenance Set

- 1173260
- 1 Air distribution ring/ extraction tool
- 1 sealing ring for air cap ring 130393
- 1 Sealing element for fluid tip 140582
- 1 Air piston rod 91959
- 1 Seal retainer 133942
- 1 Spindle seal 133934
- 1 Teflon seal for air piston 133991
- 1 Paint needle packing 15438



Errors, technical modifications and printing errors reserved.

SATaminijet 4400 B

Compact spray gun for high precision work



SPRAY GUNS

CLIP SYSTEMS

BREATHING PROTECTION

FILTER TECHNOLOGY

ACCESSORIES

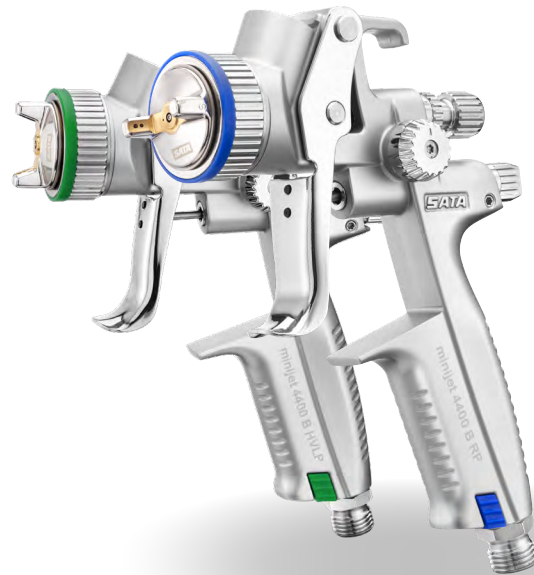
MERCHANDISING ITEMS

SATAmijnjet 4400 B

RP/HVLP



Technical data:	RP	HVLP
Inlet pressure	7 psi - 35 psi	7 psi - 29 psi
Air consumption at 35 psi bar	7.1 cfm	4.2 cfm
Spray distance	12 cm - 19 cm	12 cm - 15 cm



	0.3	0.5	0.8	1.0	1.1	1.4	1.6
Spot-Repair with RPS multi-purpose cup 0.3 l (2x)							
RP	-	202382	-	-	-	198374	204156
HVLP	204164	204172	204180	204198	204206	-	-
Nozzle set							
RP	-	202408	-	-	-	201319	201327
HVLP	201194	201202	201210	201228	201236	-	-
Test Air Cap							
RP	-	206466	-	-	-	206482	
HVLP	206417		206425			-	-

	0.3 SR	0.8 SR	1.0 SR	1.2 SR	1.3 SR	1.4 SR
Spot-Repair with RPS multi-purpose cup 0.3 l (2x)						
RP	1114149	202390	198358	198366	1065136	-
HVLP	-	198168	198176	198184	-	198192
Nozzle set						
RP	1114131	201285	201293	201301	1065037	-
HVLP	-	201244	201251	201269	-	201277
Test Air Cap						
RP	206474					
HVLP	-	206433	206441		-	206458

design set

198382
SATA design set with SATAmijnjet 4400 B HVLP 1.0



Spray fan comparison

SATAMINIJET 4400 B HVLP

Standard nozzle / SR nozzle

SATAMINIJET 4400 B RP

Standard nozzle / SR nozzle

SPRAY GUNS

CUP SYSTEMS

BREATHING PROTECTION

FILTER TECHNOLOGY

ACCESSORIES

MERCHANDISING ITEMS

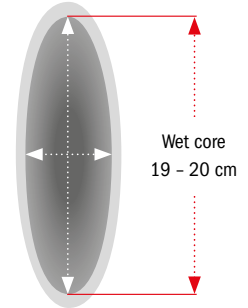
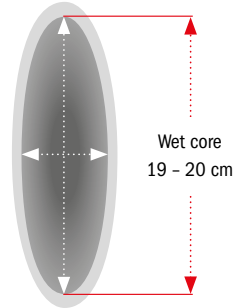
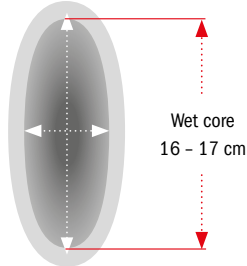
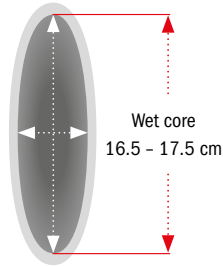
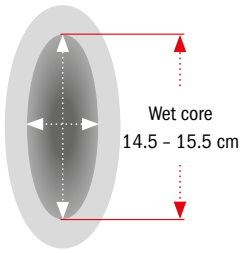
1.0 HVLP
(at 29.0 psi)
Spray distance 15 cm

1.0 SR HVLP
(at 29.0 psi)
Spray distance 15 cm

1.4 RP
(at 36.0 psi)
Spray distance 15 cm

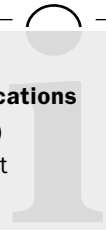
1.2 SR RP
(at 36.0 psi)
Spray distance 15 cm

1.3 SR RP
(at 29.0 psi)
Spray distance 15 cm



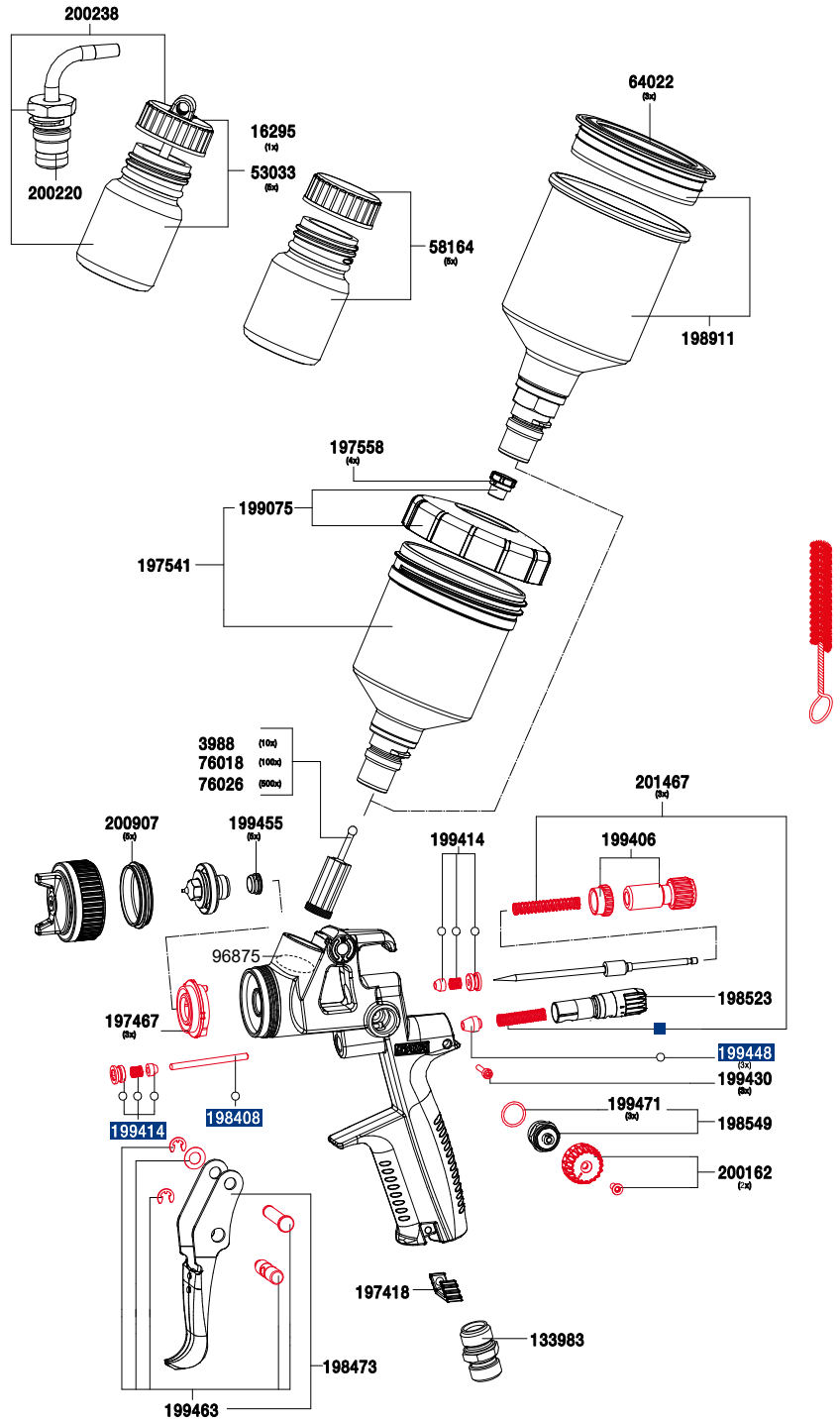
SR-nozzles especially for spot repair applications

- Lower risk of creating bright edges ("halos")
- Allows application of very thin layers of paint



Spare parts
SATAmijnjet 4400 B

3988	Paint strainer, 300 µm (packing unit 10 pieces)
16295	25 ml glass cup with plug-in cup
53033	25 ml glass cup with plug-in cup (packing unit 5 pieces)
58164	25 ml glass cup with blind lid (packing unit 5 pieces)
64022	Plastic lid (3 pieces)
76018	Paint strainer, 300 µm (packing unit 100 pieces)
76026	Paint strainer, 300 µm (packing unit 500 pieces)
96875	PVC insert for paint spray guns with QCC cup connection
133983	Air connection piece 1/4" male thread
197418	CCS Clips, green, blue, red, black (packing unit 4 pieces)
197467	Air distribution ring (packing unit 3 pieces)
197541	Reusable plastic cup, 0.125 l with QCC without fine thread
197558	Anti-drip device (packing unit 4 pieces)
198408	Air piston rod
198473	Trigger kit
198523	Air micrometer, complete
198549	Spindle for round / flat spray control
198911	Reusable aluminium cup, 0.15 l with QCC without fine thread
199075	Screw cap with drip catcher ring and anti-drip device
199406	Material flow control with counter nut
199414	Packing for paint needle and air piston rod
199430	Adjustment screw (packing unit 3 pieces) for air micrometer
199448	Air piston head (packing unit 3 pieces)
199455	Sealing element (packing unit 5 pieces) for fluid tip
199463	Trigger sleeve kit
199471	Gasket (packing unit 3 pieces) for spindle
201467	Pressure spring (each 3 pieces) for paint needle and air piston
200162	Control knob with screw (each 2 pieces)
200220	Plug-in cup connection with QCC
200238	25 ml glass cup with plug-in lid (packing unit 5 pieces) and QCC plug-in connection (packing unit 1 piece)
200907	Sealing ring (packing unit 5 pieces)



Errors, technical modifications and printing errors reserved.

Tool kit

- 198572
 - Universal spanner
 - Combi tool
 - Cleaning brush
 - Paint strainer
 - Extraction tool



1097379
Universal spanner kit (pack of 3 pieces)

SATA adam 2

160887
SATA adam 2 mini psi



Repair kit

- 198614
Repair kit
- 199422
Air piston service unit
- 200246
Sealing kit

SATAmijnjet 1000 K

RP/HVLP



Technical data:	RP	HVLP
Inlet pressure:	36 psi	29 psi
Air consumption at 36 psi/29 psi:	7.1 cfm	4.2 cfm
Spray distance:	17 cm - 21 cm	10 cm - 15 cm
Material connection:	1/4" male thread	
Spray distance	Operating range	Operating range
	(Field of application):	(Field of application):
	10 cm - 21 cm	10 cm - 21 cm
	Recommended:	Recommended:
	17 cm - 21 cm	10 cm - 15 cm



	0.3	0.5	0.8	1.0	1.2	1.4
--	-----	-----	-----	-----	-----	-----

Spray gun

RP	187450	187468	187476	187484	187492	197152
HVLP	190280	190298	190306	190314	190322	-

Nozzle set

RP	187625	187633	187641	187658	187666	197160
HVLP	190348	190355	190363	190371	190389	-

Required Accessories

187419
SATA paint tube G 1/4 female thread - 1/4" male thread



187690
SATA paint strainer 60 msh, 1/4" (male thread)



191551
Intermediate piece G 1/4" (female thread) and 3/8" (male thread)



199018
SATA paint tube G 1/4" (female thread) - 3/8" (male thread)

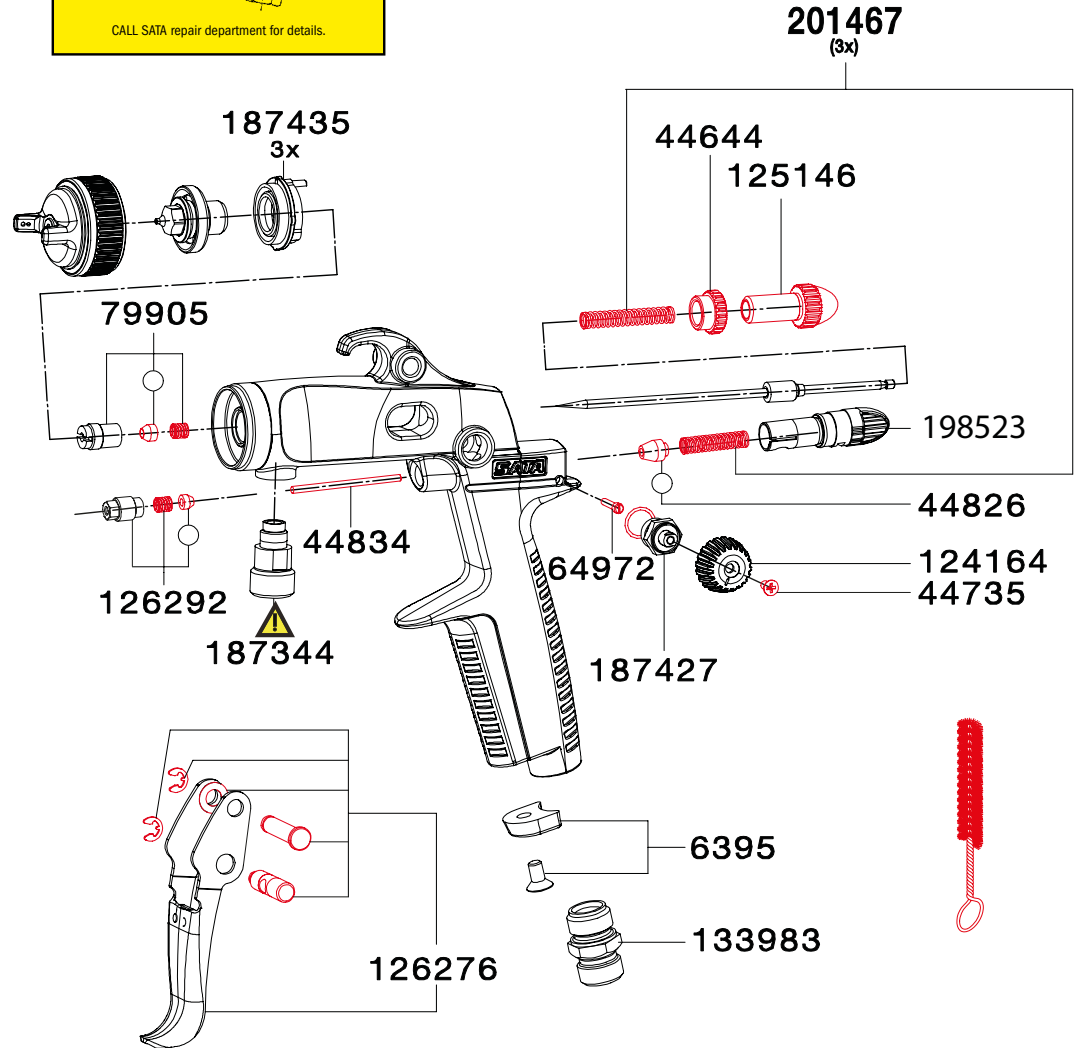
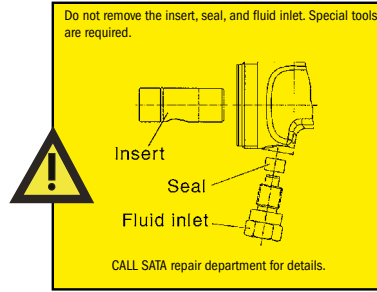


Further accessories as well as material and air connections see pages 50 and 70|71.

Spare Parts

SATAmijet 1000 K

6395	CCS Clips, green, blue, red, black packing unit 4 pieces)
44644	Counter nut
44735	Countersunk screw M 2.5 x 5, VA
44826	Air piston head
44834	Air piston rod
64972	Adjustment screw for air micrometer
79905	Paint needle packing
124164	Control knob
125146	Material flow control screw
126276	Trigger kit
126292	Packing kit air piston rod SATAmijet 3000 B HVLP, minijet 4 HVLP
133983	Air connection piece 1/4" male thread
187344	Material connection, stainless steel
187427	Spindle for round/flat control
187435	Air distribution ring (packing unit 3 pieces)
198523	Air micrometer, complete
201467	Pressure spring (each 3 pieces) for paint needle and air piston



Errors, technical modifications and printing errors reserved.

SATA adam 2

160887
SATA adam 2 mini psi



Tool kit

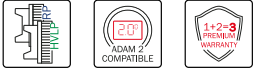
- 125856
- Extraction tool
- Cleaning brush
- Wrench
- Universal spanner



Repair kit

- 126284
Repair kit
- 50658
Sealing kit

SATAjet H



Technical data:

Inlet pressure:	58 psi
Air consumption at 58 psi bar	13.4 cfm
Spray distance:	18 cm – 23 cm



1.5	MSH	2.0
-----	-----	-----

Gun with 1.0 l aluminium siphon cup			
23721	23747	-	
Nozzle set			
23663	23697	23689	

SPRAY GUNS

CUP SYSTEMS

BREATHING PROTECTION

FILTER TECHNOLOGY

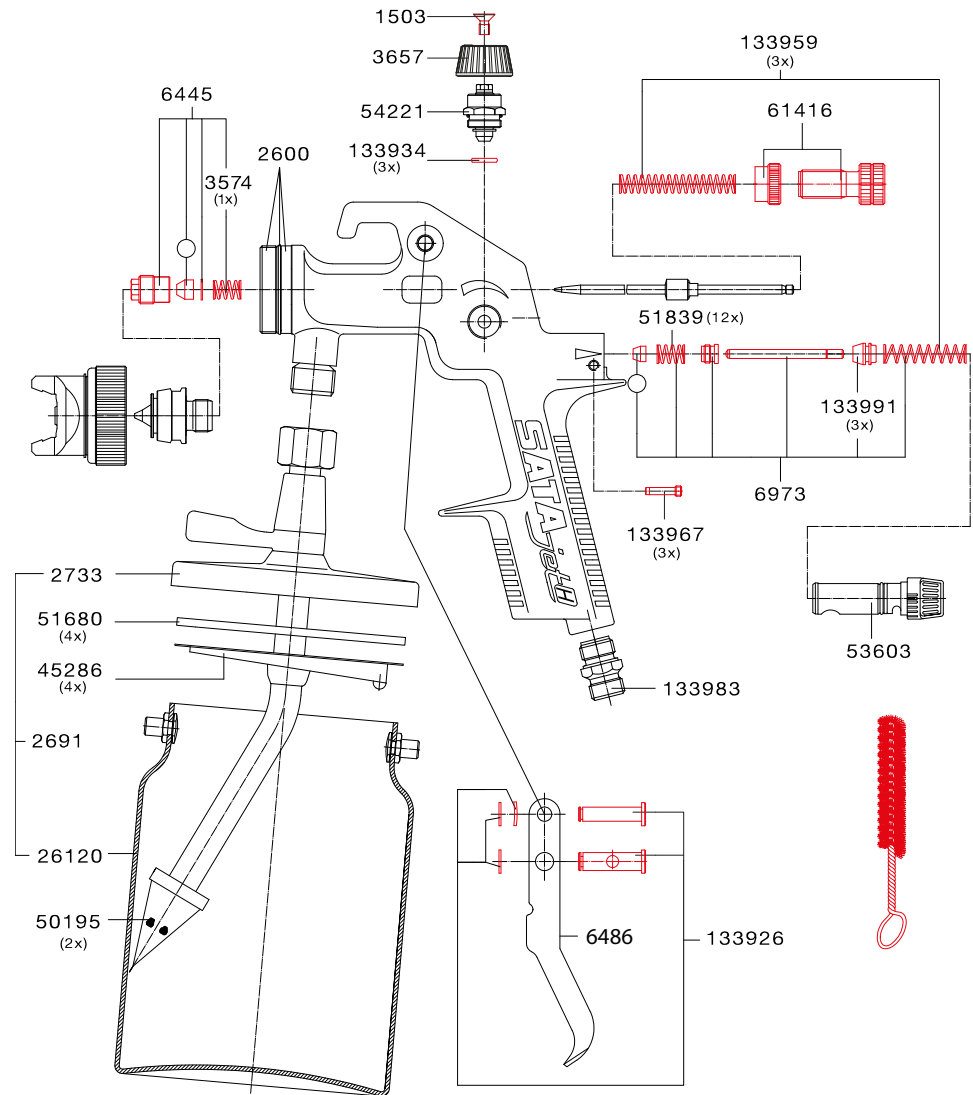
ACCESSORIES

MERCHANDISING ITEMS

Errors, technical modifications and printing errors reserved.

Spare Parts
SATAjet H

1503	Countersunk screw M4 x 8 DIN 965, stainless steel, for micrometer und round/flat spray control
2600	Service unit for nozzle insert for SATAjet/B, H, K and NR 92, consisting of nozzle insert, distribution plate and sealing ring
2691	1.0 l aluminium suction cup, cpl.
2733	Lid fitting
3574	Pressure spring for
3657	Control knob
6445	Paint needle packing
6486	Trigger kit
6973	Air piston servicing unit
26120	1.0 l aluminium suction cup, without lid
45286	Anti-drip device (pack of 4 pieces)
50195	Strainer (packing unit 2 pieces)
51680	Sealing ring (packing unit 4 pieces)
51839	Pressure spring (packing unit 12 pieces) for air piston packing
53603	Air micrometer
54221	Spindle complete, for SATAjet/90, SATAjet, regulation valve and MC-B
61416	Material flow control with counter nut
133926	Trigger sleeve kit
133934	Sealing (packing unit 3 pieces) for spindle
133959	spring Kit - pressure spring (3 pieces) for paint needle and air piston
133967	Adjustment screw (packing unit 3 pieces) for air micrometer
133983	Air connection piece 1/4" male thread
133991	Air piston head (packing unit 3 pieces)



Tool kit

- 9654
- Paint strainer
 - Cleaning brush
 - Socket wrench 7 mm width
 - Internal hexagonal wrench 2/4 mm width
 - Universal spanner

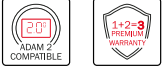


Repair kit

- 70623
- Repair kit
- 50666
- Sealing kit

Errors, technical modifications and printing errors reserved.

SATA spray master RP



Technical data:	RP
Inlet pressure:	29 psi
Air consumption:	8.1 cfm



SM*	1.7	2.0
-----	-----	-----

Spray gun with 0.7 l pressurized cup, pressure gauge and reducing valve

RP	72900	73734	74120		
----	-------	-------	-------	--	--

Nozzle set

RP	77982	73791	78279		
----	-------	-------	-------	--	--

* solid medium

SPRAY GUNS

CUP SYSTEMS

BREATHING PROTECTION

FILTER TECHNOLOGY

ACCESSORIES

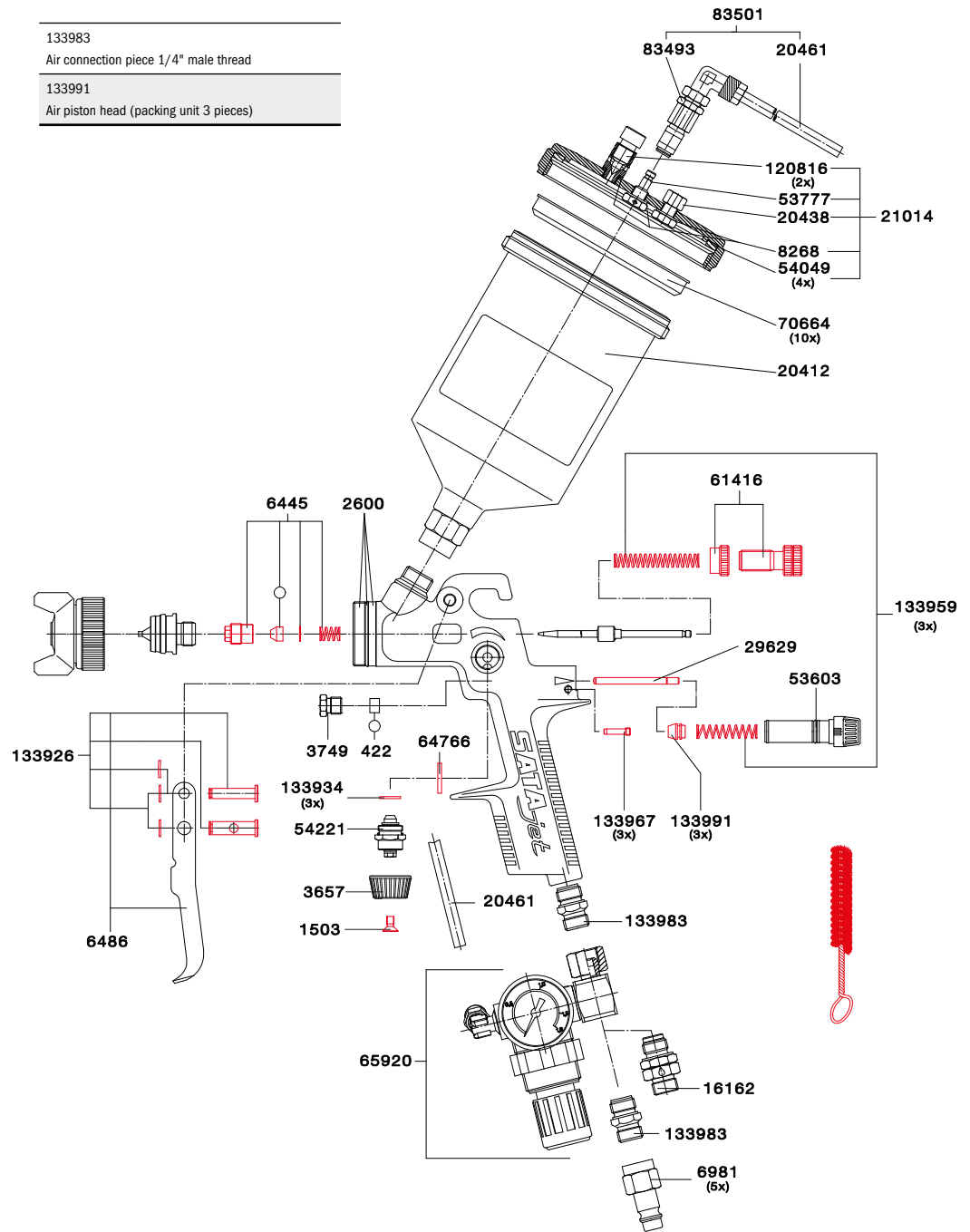
MERCHANDISING ITEMS

Errors, technical modifications and printing errors reserved.

Spare parts
SATA spray master RP

422	Gasket for air piston
1503	Countersunk screw M4 x 8 DIN 965, stainless steel, for micrometer und round/flat spray control
2600	Service unit for nozzle insert for SATAjet/B, H, K and NR 92, consisting of nozzle insert, distribution plate and sealing ring
3657	Control knob
3749	Stuffing box for air piston SATAjet, KL, HKD and MC-B
6445	Paint needle packing
6486	Trigger kit
6981	SATA quick coupling nipple G 1/4" (female thread) (packing unit 5 pieces)
8268	Sealing ring
16162	Swivel joint
20412	0.7 l pressure pot, aluminium without lid
20438	Safety pressure relief valve BVD
20461	Plastic air hose for BVD and agitator cup
21014	Aluminium lid, cpl.
29629	Air piston rod
53603	Air micrometer
53777	Air connection for aluminium lid
54049	Sealing ring (packing unit 4 pieces)
54221	Spindle complete, for SATAjet/90, SATAjet, regulation valve and MC-B
61416	Material flow control with counter nut
64766	Washer
65920	Control fittings, complete, for BVD pressurized cup connection kit (GR and LM)
70664	Anti-drip device (packing unit 10 pieces)
83493	Connection for pressurised cup, cpl.
83501	Air hose cpl. w. pressurized cup connection, for SATA Spray-Master
120816	Pressure release screw (packing unit 2 pieces)
133926	Trigger sleeve kit
133934	Sealing (packing unit 3 pieces) for spindle
133959	Spring Kit - pressure spring (3 pieces) for paint needle and air piston
133967	Adjustment screw (packing unit 3 pieces) for air micrometer

133983	Air connection piece 1/4" male thread
133991	Air piston head (packing unit 3 pieces)



Tool kit

- 9654
 - Paint strainer
 - Cleaning brush
 - Socket wrench 7 mm width
 - Internal hexagonal wrench 2/4 mm width
 - Universal spanner



Repair kit

- 70623
 - Repair kit
- 9829
 - Sealing kit

73254
Repair kit for control fitting

Errors, technical modifications and printing errors reserved.

SATAjet 20 B



Technical data:

Inlet pressure:	15 psi
Air consumption at 15 psi:	1.4 cfm
Spray distance:	variable



0.2 fineline	0.2	0.35	0.5	0.8	1.0
Spray gun with 65 ml PVC cup					
-	65078	65581	65649	66316	69229
189035					
Spray gun with 65 ml plastic cup, glass plug-on cup and 3 glass jars with blank lid					
-	86181	86199	86207	86215	86223
Nozzle set					
-	60459	60640	61200	61341	61523
189043					

SATA jet 20 B design set

90381
 SATAjet 20 B design set 0.5 with accessories in case
 Contains: various cup versions such as plastic cup, plug-in cup, glass cup, cleaning kit, SATA air micrometer with pressure gauge, spray gun stand, tool kit, nozzle set, PVC compressed air hose.



■ Completely assembled air hoses see page 144.

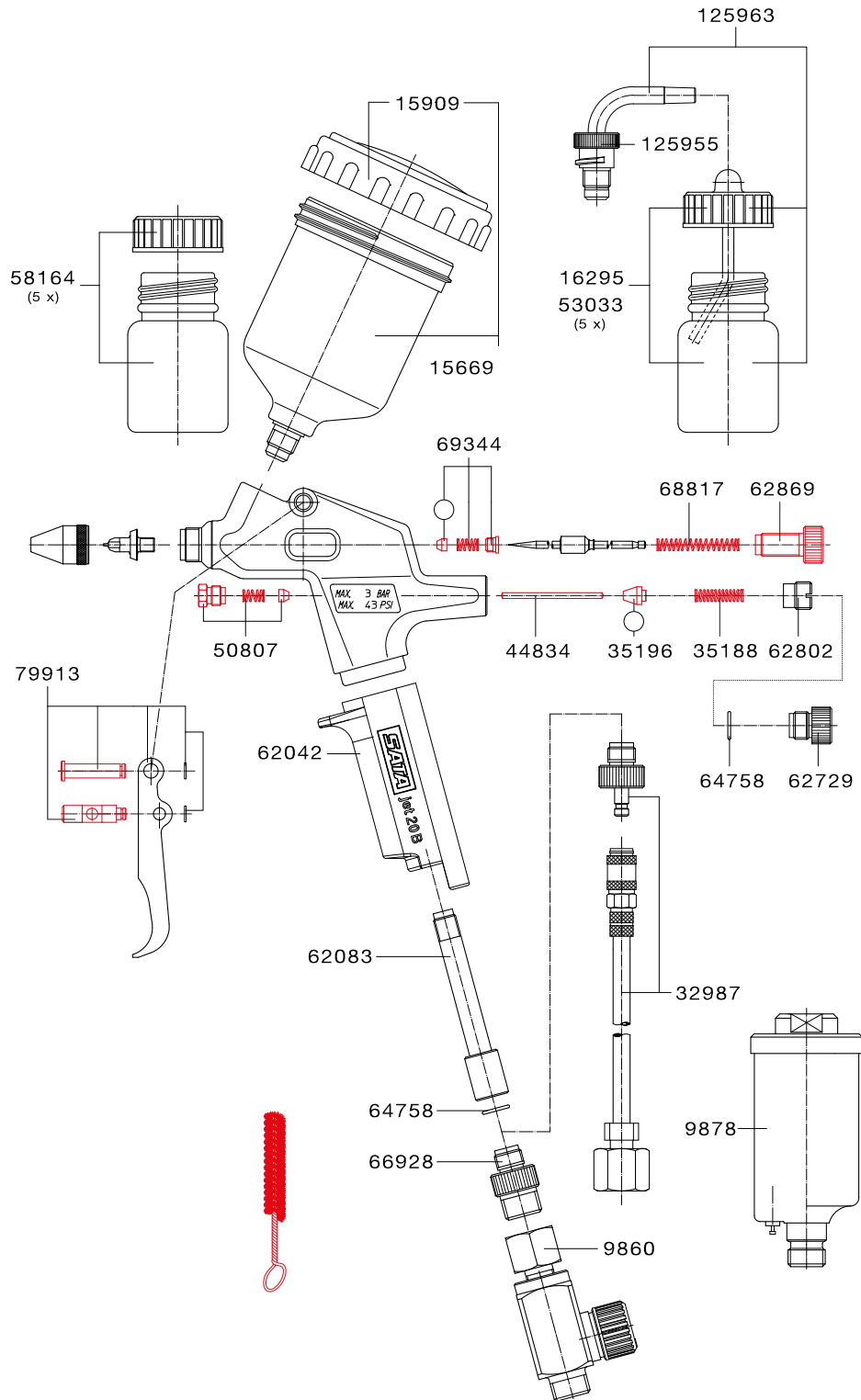
Line thicknesses SATAjet 20 B

0.2 mm	—————	Nozzle set fineline 0.2
0.6 mm	—————	Nozzle set 0.2
0.8 mm	—————	Nozzle 0.35
1.1 mm	—————	Nozzle 0.5
1.5 mm	—————	Nozzle 0.8
1.9 mm	—————	Nozzle 1.0

Spare Parts

SATAjet® 20 B

9860	SATA air micrometer 0-845, 1/4" (male thread) and G 1/4" (female thread)
9878	SATA mini filter 1/4" (male thread)
15669	65 ml PVC reusable cup, cpl.
15909	PVC screw-on lid 65 ccm PVC cup SATAjet 20 B, dekor 2000
16295	25 ml glass cup with plug-in cup
32987	SATA PVC compressed air hose, transparent, 3 m long with G 1/4" (female thread), mini quick coupling and nipple
35188	Pressure spring for air piston
35196	Air piston head
44834	Air piston rod
50807	Service unit air piston rod SATAjet 20 B, dekor 2000, minijet 3 HVLP
53033	25 ml glass cup with plug-in cup (packing unit 5 pieces)
58164	25 ml glass cup with blind lid (packing unit 5 pieces)
62042	Spray gun handle SATAjet 20 B, dekor 2000
62083	Air pipe
62729	Closing screw SATAjet 20 B, dekor 2000
62802	Compression screw 1/8" (male thread)
62869	Material flow control screw
64758	O-ring
66928	Air connection 1/8" (male thread) - 1/4" (male thread)
68817	Pressure spring for paint needle
69344	Paint needle packing
79913	Trigger kit
125955	Plug-in cup connection with QCC SATAjet 20 B, dekor 2000, minijet 3000 B HVLP, minijet 4 HVLP
125963	25 ml glass cup with plug-in lid (packing unit 5 pieces) and QCC plug-in connection (packing unit 1 piece)



Tool kit

- 9373
- Cleaning brush
- Universal spanner
- Hexagonal screwdriver



Repair kit

- 91165
- Repair kit
- 69427
- Sealing kit

SATAglyph 4

Technical data:

Inlet pressure:	variable
Air consumption:	0.4 cfm
Spray distance:	variable



SATAglyph 4* - Universal airbrush gun (each with aluminium case)

- 227629
SATAglyph 4 nozzle 0.5 with 7 ml standard cup
- 227637
SATAglyph 4 nozzle 0.5 with 7 ml side cup
- 227645
SATAglyph 4 nozzle 0.5 with 6 ml suction cup



Nozzle set

0.5
227363

* SATAglyph 4 is supplied without hoses and quick coupling nipple. These components have to be ordered separately (see spare parts)

▶ Air hose for design spray guns see page 144.

SPRAY GUNS

CUP SYSTEMS

BREATHING PROTECTION

FILTER TECHNOLOGY

ACCESSORIES

MERCHANDISING ITEMS

Errors, technical modifications and printing errors reserved.

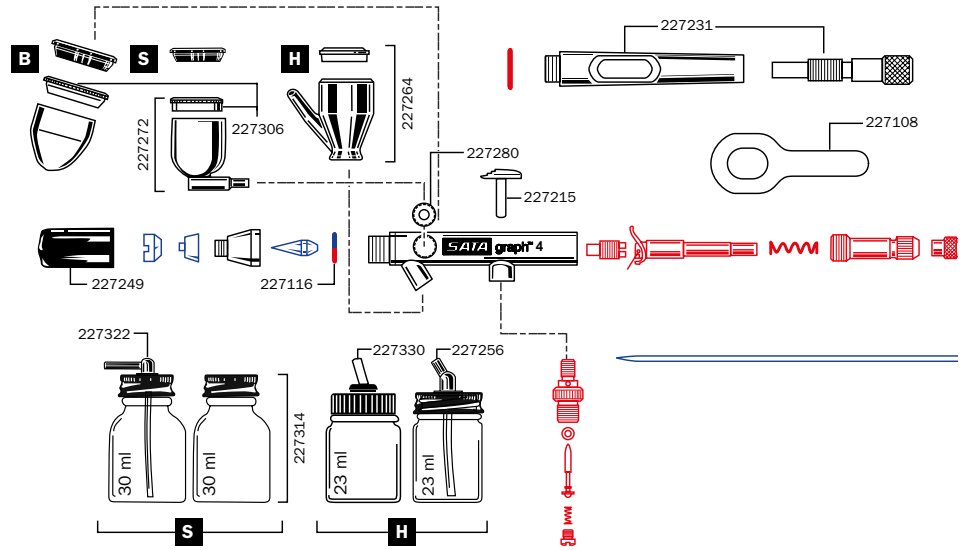
Spare Parts

SATAgraph™ 4

227108	Wrench for nozzle head
227116	O-Ring (packing unit 5 pieces)
227215	Trigger
227231	Handle end piece, complete
227249	Protection cap for paint needle
227256	23 ml glass cup, cpl.
227264	6 ml metal suction cup, cpl.
227272	7 ml metal side cup, cpl.
227280	Plug for material supply from the side, red
227306	Lid for metal paint cup, side cup and gravity flow cup version
227314	30 ml glass cup, cpl. with neutral lid
227322	30 ml glass cup, cpl.
227330	23 ml glass cup, cpl. with Fast Blast

Hoses and nipples

32615	Coupling nipple (packing unit 3 pieces)
32987	SATA PVC compressed air hose, transparent, 3 m long with G 1/4" (female thread), mini quick coupling and nipple
Please always order the following article:	
32615	Coupling nipple (packing unit 3 pieces)
134791	SATA Fibre air hose, 2.5 m long with G 1/4" (female thread), mini quick coupling



Repair kit

227348	Repair kit
	Nozzle set (see left page)

Extensions SATAjet 1000 B RP

Standard nozzle

154211

Extension with standard nozzle (0°), 20 cm with nozzle set 1.6 RP for SATAjet 1000 B RP



154229

Extension with standard nozzle (0°), 30 cm with nozzle set 1.6 RP for SATAjet 1000 B RP

154237

Extension with standard nozzle (0°), 40 cm with nozzle set 1.6 RP for SATAjet 1000 B RP

Diagonal spray nozzle

154252

Extension with diagonal spray nozzle (45°), 20 cm with nozzle set 1.6 RP for SATAjet 1000 B RP



154260

Extension with diagonal spray nozzle (45°), 30 cm with nozzle set 1.6 RP for SATAjet 1000 B RP

154278

Extension with diagonal spray nozzle (45°), 40 cm with nozzle set 1.6 RP for SATAjet 1000 B RP

178533

Extension with diagonal spray nozzle (75°), swiveling, 40 cm with nozzle set 1.6 RP for SATAjet 1000 B RP, preferably with BVD pressurized cup

185520

Extension with diagonal spray nozzle (75°), swivelling, 20 cm with nozzle set 1.6 RP for SATAjet 1000 B RP, preferably with BVD pressurized cup

Angular head nozzle

154294

Extension with angular head nozzle (90°), 20 cm with nozzle set 1.6 RP for SATAjet 1000 B RP



154302

Extension with diagonal spray nozzle (90°), 30 cm with nozzle set 1.6 RP for SATAjet 1000 B RP

154310

Extension with angular head nozzle (90°), 40 cm with nozzle set 1.6 RP for SATAjet 1000 B RP

Rotary nozzle

196162

Extension with rotary nozzle (360°), 20 cm with nozzle set 1.6 RP for SATAjet 1000 B RP, function exclusively with SATA BVD pressurized cup



196170

Extension with rotary nozzle (360°), 30 cm with nozzle set 1.6 RP for SATAjet 1000 B RP, function exclusively with SATA BVD pressurized cup

196188

Extension with rotary nozzle (360°), 40 cm with nozzle set 1.6 RP for SATAjet 1000 B RP, function exclusively with SATA BVD pressurized cup

► Custom-made versions for extension upon request!

Extensions SATAjet 1000 K RP

Standard nozzle

154435

Extension with standard nozzle (0°), 20 cm with nozzle set 1.5 RP for SATAjet 1000 K RP



154443

Extension with standard nozzle (0°), 30 cm with nozzle set 1.5 RP for SATAjet 1000 K RP

154450

Extension with standard nozzle (0°), 40 cm with nozzle set 1.5 RP for SATAjet 1000 K RP

Diagonal spray nozzle

154476

Extension with diagonal spray nozzle (45°), 20 cm with nozzle set 1.6 RP for SATAjet 1000 K RP



154484

Extension with diagonal spray nozzle (45°), 30 cm with nozzle set 1.6 RP for SATAjet 1000 K RP

154492

Extension with diagonal spray nozzle (45°), 40 cm with nozzle set 1.6 RP for SATAjet 1000 K RP

Angular head nozzle

154559

Extension with angular head nozzle (90°), 20 cm with nozzle set 1.5 RP for SATAjet 1000 K RP



154567

Extension with angular head nozzle (90°), 30 cm with nozzle set 1.6 RP for SATAjet 1000 K RP

154575

Extension with angular head nozzle (90°), 40 cm with nozzle set 1.5 RP for SATAjet 1000 K RP

Rotary nozzle

154518

Extension with rotary nozzle (360°), 20 cm with nozzle set 1.6 RP for SATAjet 1000 K RP



154526

Extension with rotary nozzle (360°), 30 cm with nozzle set 1.6 RP for SATAjet 1000 K RP

154534

Extension with rotary nozzle (360°), 40 cm with nozzle set 1.6 RP for SATAjet 1000 K RP

Material and air connection SATAjet 3000 K, 1000 K

SPRAY GUNS

CUP SYSTEMS

BREATHING PROTECTION

FILTER TECHNOLOGY

ACCESSORIES

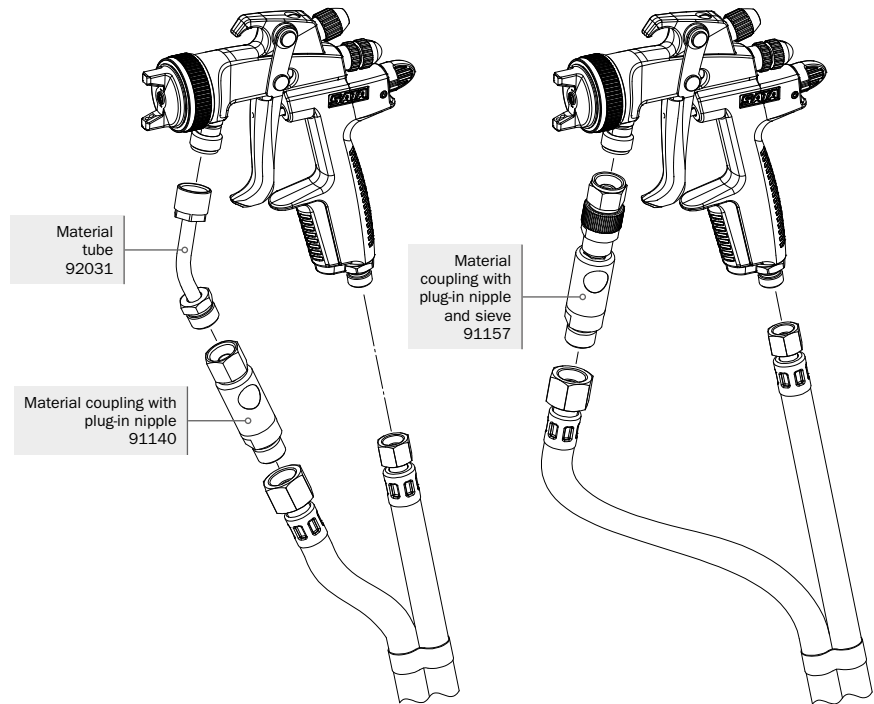
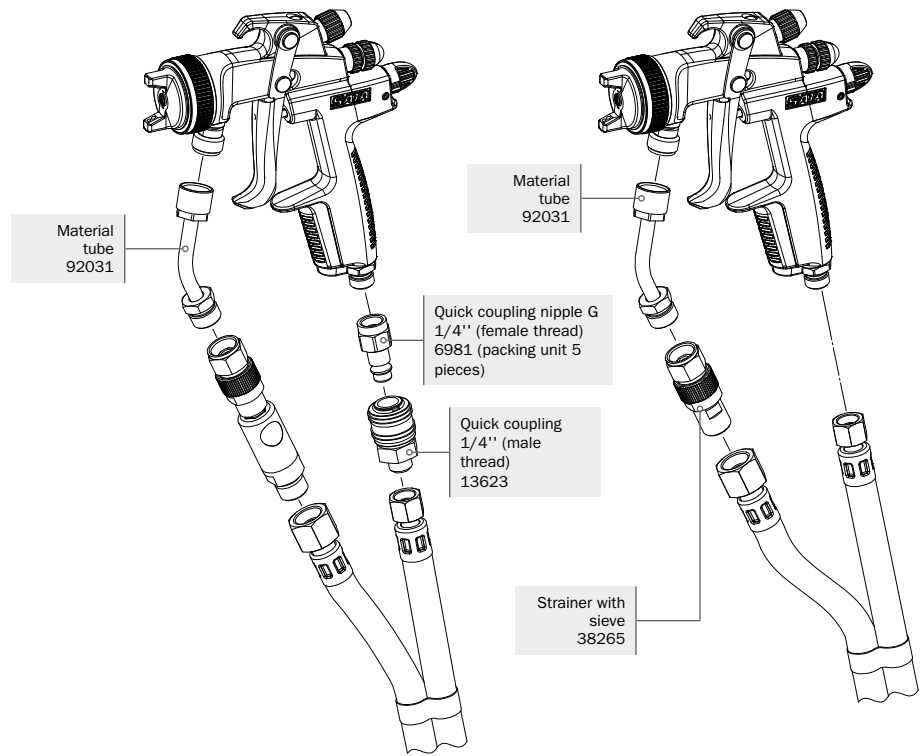
MERCHANDISING ITEMS

Article

6981	SATA quick coupling nipple G 1/4" (female thread) (packing unit 5 pieces)
13623	SATA quick coupling 1/4" (male thread)
38265	SATA paint strainer 60 msh, G 3/8" (female thread) and 3/8" (male thread)
91140	SATA material coupling 3/8" (male thread) with plug-in nipple G 3/8" (female thread)
91157	SATA material coupling 3/8" (male thread) with plug-in nipple G 3/8" (female thread) and material strainer 60 msh
92031	SATA paint tube G 3/8" (female thread) - 3/8" (male thread)

Spare sieves

12260	Sieve 60 msh (packing unit 4 pieces)
12278	Sieve, 100 msh (packing unit 4 pieces)
74856	Strainer kit: Sieve 200 msh (4 pcs.) strainer holder (2 pcs.), screw (1 pcs.)



Errors, technical modifications and printing errors reserved.

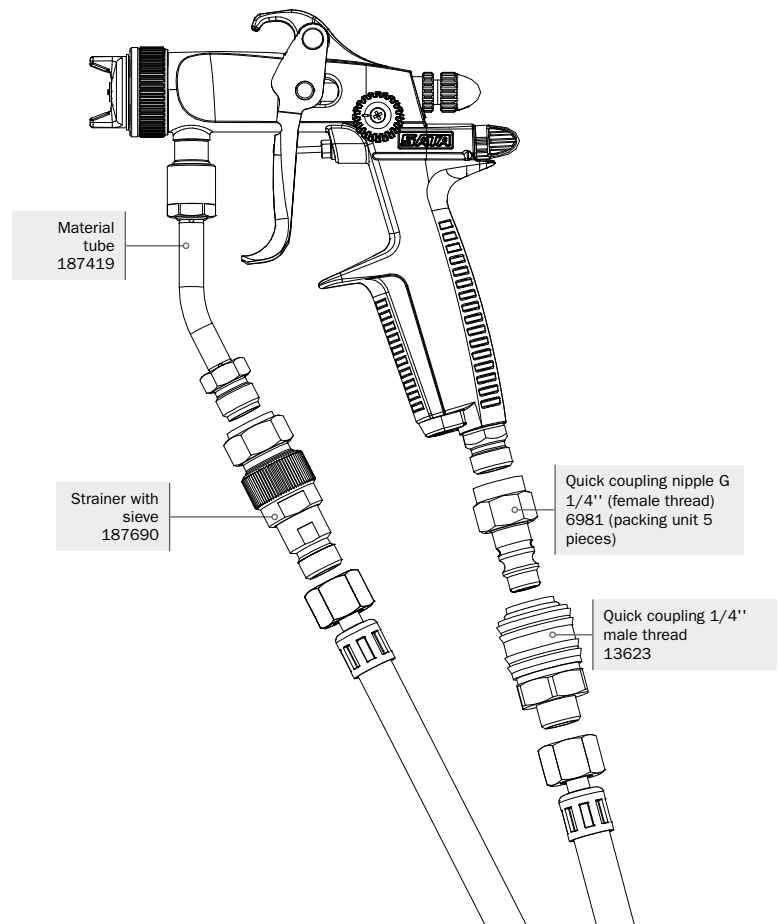
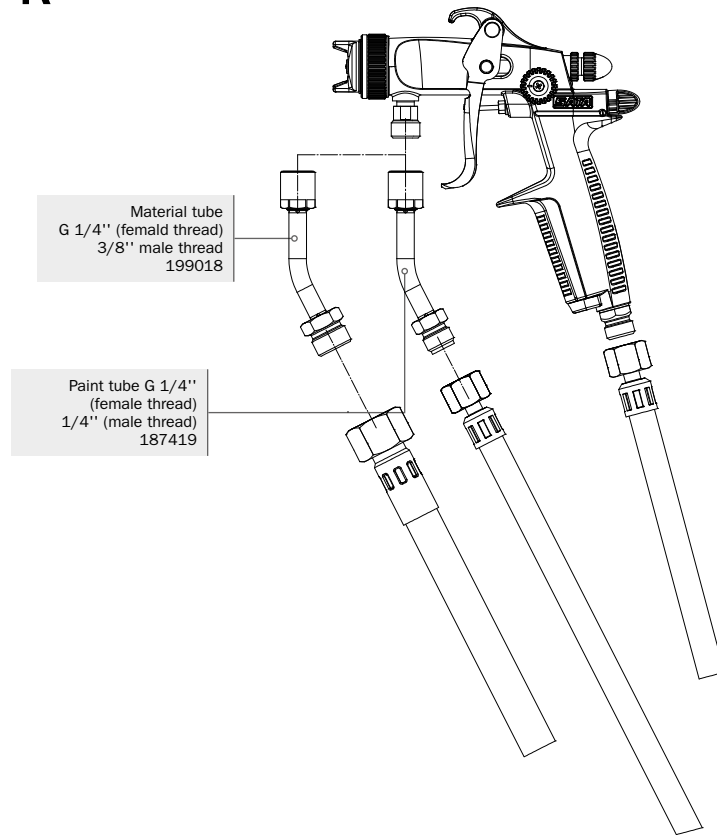
Material and air connection SATAMinijet 1000 K

Article

6981	SATA quick coupling nipple G 1/4" (female thread) (packing unit 5 pieces)
13623	SATA quick coupling 1/4" (male thread)
187419	SATA paint tube G 1/4 female thread - 1/4" male thread
187690	SATA paint strainer 60 msh, 1/4" (male thread)
199018	SATA paint tube G 1/4" (female thread) - 3/8" (male thread)

Spare sieves

12260	Sieve 60 msh (packing unit 4 pieces)
12278	Sieve, 100 msh (packing unit 4 pieces)
74856	Strainer kit: Sieve 200 msh (4 pcs.) strainer holder (2 pcs.), screw (1 pcs.)



Spray Gun Cases



Spray Gun Cases

1079137
SATA case, umbra (47 x 37 x 18 cm), with print "SATAjet X 5500", incl. inserts for 5 spray guns



1086976
Foam inlay, black, for 5 spray guns, incl. cover insert

1080142
SATA case, umbra (30 x 23 x 13 cm), with print "SATAjet X 5500", incl. inserts for 2 spray guns+-



1056268
Foam insert, black, for 2 spray guns, incl. cover insert

166132
Storm Case Trolley IM2500



167692
Foam insert, blue/black for 5 spray guns, without cover insert

Errors, technical modifications and printing errors reserved.

174128

Aluminium case with foam and burlled inlay for spray guns and accessories



169706

foam inlay black - blue for aluminium case

Nozzle sets and spare parts of discontinued gun models

SATAjet X 5500 FUTURE | Discontinuation end of 2029

1158965	Nozzle set SATAjet X 5500 RP FUTURE 1.1 I
1158973	Nozzle set SATAjet X 5500 RP FUTURE 1.1 O
1158981	Nozzle set SATAjet X 5500 RP FUTURE 1.2 I
1158999	Nozzle set SATAjet X 5500 RP FUTURE 1.2 O
1159004	Nozzle set SATAjet X 5500 RP FUTURE 1.3 I
1159012	Nozzle set SATAjet X 5500 RP FUTURE 1.3 O
1158923	Nozzle set SATAjet X 5500 HVLP FUTURE 1.3 I
1158931	Nozzle set SATAjet X 5500 HVLP FUTURE 1.3 O
1158949	Nozzle set SATAjet X 5500 HVLP FUTURE 1.4 I
1158957	Nozzle set SATAjet X 5500 HVLP FUTURE 1.4 O

SATAjet 5000 B PHASER | Discontinuation end of 2025

1006841	Nozzle set SATAjet 5000 B RP PHASER 1.2
1006859	Nozzle set SATAjet 5000 B RP PHASER 1.2 W
1006867	Nozzle set SATAjet 5000 B RP PHASER 1.3
1006916	Nozzle set SATAjet 5000 B RP PHASER 1.3 cc
1006875	Nozzle set SATAjet 5000 B HVLP PHASER WSB
1006883	Nozzle set SATAjet 5000 B HVLP PHASER 1.3
1006891	Nozzle set SATAjet 5000 B HVLP PHASER 1.4
1006908	Nozzle set SATAjet 5000 B HVLP PHASER 1.5

SATAjet 5000 B | Discontinuation end of 2029

210245	Nozzle set SATAjet 5000 B RP 1.0
210252	Nozzle set SATAjet 5000 B RP 1.1
210260	Nozzle set SATAjet 5000 B RP 1.2
210278	Nozzle set SATAjet 5000 B RP 1.2 W
210286	Nozzle set SATAjet 5000 B RP 1.3
210294	Nozzle set SATAjet 5000 B RP 1.4
210302	Nozzle set SATAjet 5000 B RP 1.6
210310	Nozzle set SATAjet 5000 B RP 1.8
210328	Nozzle set SATAjet 5000 B RP 2.0
210336	Nozzle set SATAjet 5000 B RP 2.5
210955	Nozzle set SATAjet 5000 B HVLP 1.0
210963	Nozzle set SATAjet 5000 B HVLP 1.2
210971	Nozzle set SATAjet 5000 B HVLP WSB
210989	Nozzle set SATAjet 5000 B HVLP 1.3
211011	Nozzle set SATAjet 5000 B HVLP 1.4
211045	Nozzle set SATAjet 5000 B HVLP 1.5
211052	Nozzle set SATAjet 5000 B HVLP 1.7
211060	Nozzle set SATAjet 5000 B HVLP 1.9
211078	Nozzle set SATAjet 5000 B HVLP 2.2

SATAjet 4000 B | Discontinuation end of 2025

166991	Nozzle set SATAjet 4000 B RP 1.0
167007	Nozzle set SATAjet 4000 B RP 1.1
167015	Nozzle set SATAjet 4000 B RP 1.2
167023	Nozzle set SATAjet 4000 B RP 1.2 W
167049	Nozzle set SATAjet 4000 B RP 1.3
167056	Nozzle set SATAjet 4000 B RP 1.4
167072	Nozzle set SATAjet 4000 B RP 1.6
167080	Nozzle set SATAjet 4000 B RP 1.8
168625	Nozzle set SATAjet 4000 B RP 2.0
168633	Nozzle set SATAjet 4000 B RP 2.5
166926	Nozzle set SATAjet 4000 B HVLP 1.0
166934	Nozzle set SATAjet 4000 B HVLP 1.2
166983	Nozzle set SATAjet 4000 B HVLP WSB
166942	Nozzle set SATAjet 4000 B HVLP 1.3
166967	Nozzle set SATAjet 4000 B HVLP 1.4
166975	Nozzle set SATAjet 4000 B HVLP 1.5
168658	Nozzle set SATAjet 4000 B HVLP 1.7
168666	Nozzle set SATAjet 4000 B HVLP 1.9
168674	Nozzle set SATAjet 4000 B HVLP 2.2

SATAminijet 3000 B HVLP | Discontinuation end of 2032

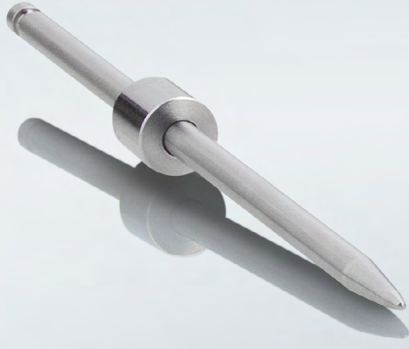
125583	Nozzle set SATAminijet 3000 B HVLP 0.3
125591	Nozzle set SATAminijet 3000 B HVLP 0.5
125609	Nozzle set SATAminijet 3000 B HVLP 0.8
125617	Nozzle set SATAminijet 3000 B HVLP 1.0
125625	Nozzle set SATAminijet 3000 B HVLP 1.1
125682	Nozzle set SATAminijet 3000 B HVLP 0.8 SR
125690	Nozzle set SATAminijet 3000 B HVLP 1.0 SR
125708	Nozzle set SATAminijet 3000 B HVLP 1.2 SR
125716	Nozzle set SATAminijet 3000 B HVLP 1.4 SR

SATAjet B

4143	Nozzle set SATAjet B 1.0E
4127	Nozzle set SATAjet B MSB
3848	Nozzle set SATAjet B 1.4E
4119	Nozzle set SATAjet B 1.5E
4101	Nozzle set SATAjet B 1.7E
4093	Nozzle set SATAjet B 2.0W

SATAjet GR

31252	Nozzle set SATAjet GR 1.3W
31898	Nozzle set SATAjet GR 1.5W
31997	Nozzle set SATAjet GR 1.7W
4093	Nozzle set SATAjet GR 2.0 W
13003	Nozzle set SATAjet GR 2.5W
13011	Nozzle set SATAjet GR 3.0W



SPRAY GUNS

CUP SYSTEMS

BREATHING PROTECTION

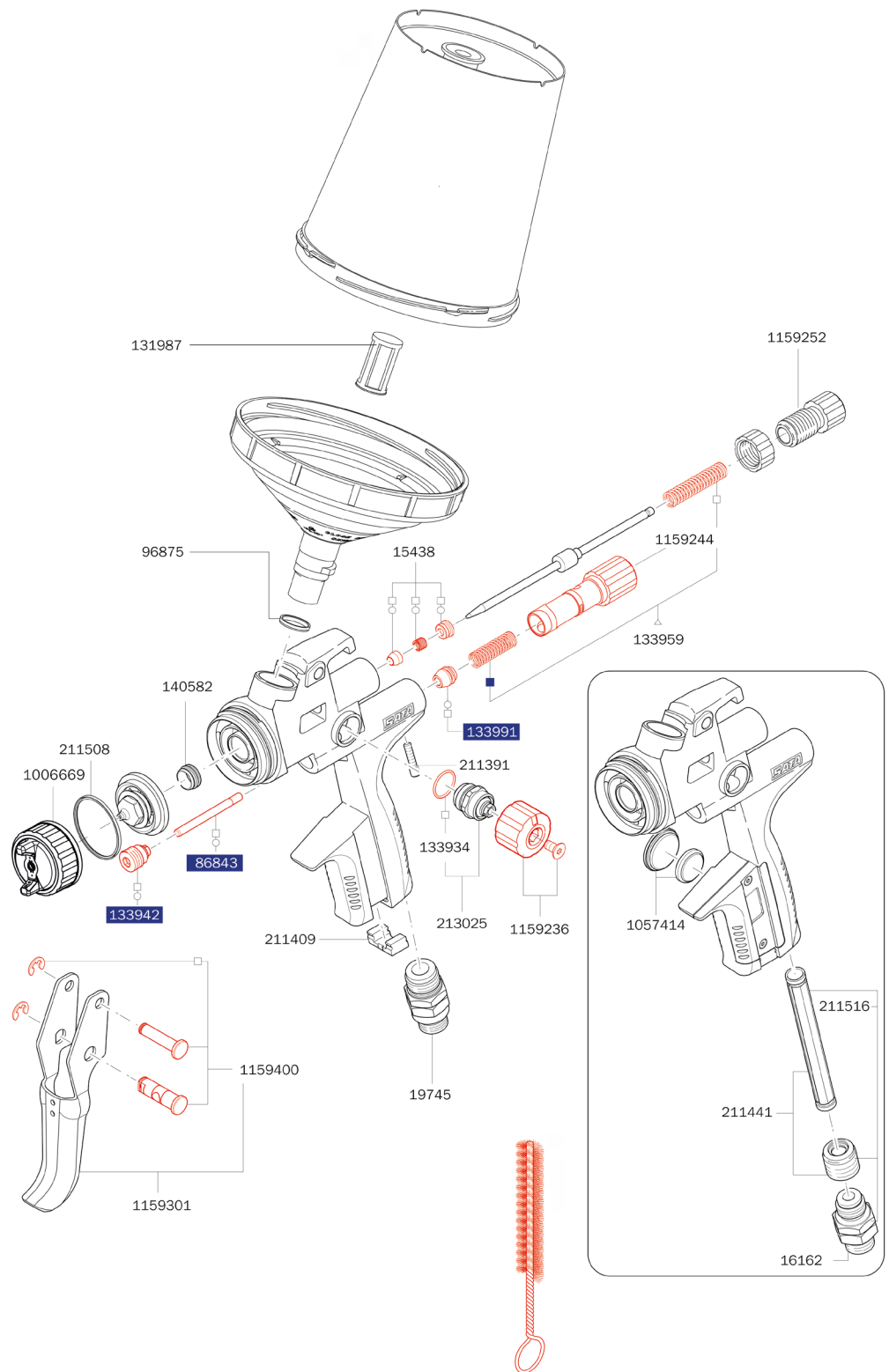
FILTER TECHNOLOGY

ACCESSORIES

MERCHANDISING ITEMS

Spare parts for discontinued spray gun models
SATAjet X 5500
FUTURE

1006669	Kit consisting of coloured marking rings (blue, green, black, packing unit each 1 piece)
1057414	Battery kit
1097379	Universal spanner (pack of 3 pieces)
1159236	Control knob with screw (2 pieces each)
1159244	Air micrometer
1159252	Material flow control with counter nut
1159301	Trigger kit
1159400	Trigger sleeve kit
131987	Spare plug-in sieve 200 µm, pastel green (packing unit 100 pieces)
133934	Sealing (packing unit 3 pieces) for spindle
133942	Seal retainer, cpl.
133959	Spring Kit - pressure spring (3 pieces) for paint needle and air piston
133991	Air piston head (packing unit 3 pieces)
140582	Sealing element (packing unit 5 pieces) for fluid tip
15438	Paint needle packing
16162	Swivel joint
19745	Swivel joint
211391	Locking screw (packing unit 3 pieces) for air micrometer
211409	CCS-Clips, green, blue, red, black (packing unit 4 pieces)
211441	Seal retainer with sleeve
211508	Sealing ring (packing unit 5 pieces)
211516	Swivel joint with seal retainer and sleeve
213025	Spindle, cpl., for round / flat spray control
86843	Air piston rod
96875	PVC insert for paint spray guns with QCC cup connection



Tool kit

1057323
 Universal spanner, combi tool, cleaning brush, CCS clips, paint strainer



Repair kit

- 1159210
Repair kit
- 82552
Air piston service unit
- 136960
Sealing kit

Spare parts for discontinued spray gun models

SATAjet 5000 B PHASER

15438

Paint needle packing

86843

Air piston rod

96875

PVC insert for paint spray guns with QCC cup connection

131979

Spare flat sieve 125µm, pastel blue (packing unit 100 pieces)

131987

Spare plug-in sieve 200 µm, pastel green (packing unit 100 pieces)

133934

Sealing (packing unit 3 pieces) for spindle

133942

Seal retainer, cpl.

133959

Spring Kit - pressure spring (3 pieces) for paint needle and air piston

133991

Air piston head (packing unit 3 pieces)

140582

Sealing element (packing unit 5 pieces) for fluid tip

211391

Locking screw (packing unit 3 pieces) for air micro-meter

211409

CCS-Clips, green, blue, red, black (packing unit 4 pieces)

211425

Air distribution ring (packing unit 3 pieces)

213025

Spindle, cpl., for round / flat spray control

211508

Sealing ring (packing unit 5 pieces)

1006643

Trigger kit

1006669

Kit consisting of coloured marking rings (blue, green, black, packing unit each 1 piece)

1006734

Trigger fixing clip

1006742

Air micrometer

1006750

Material flow control with counter nut

1006768

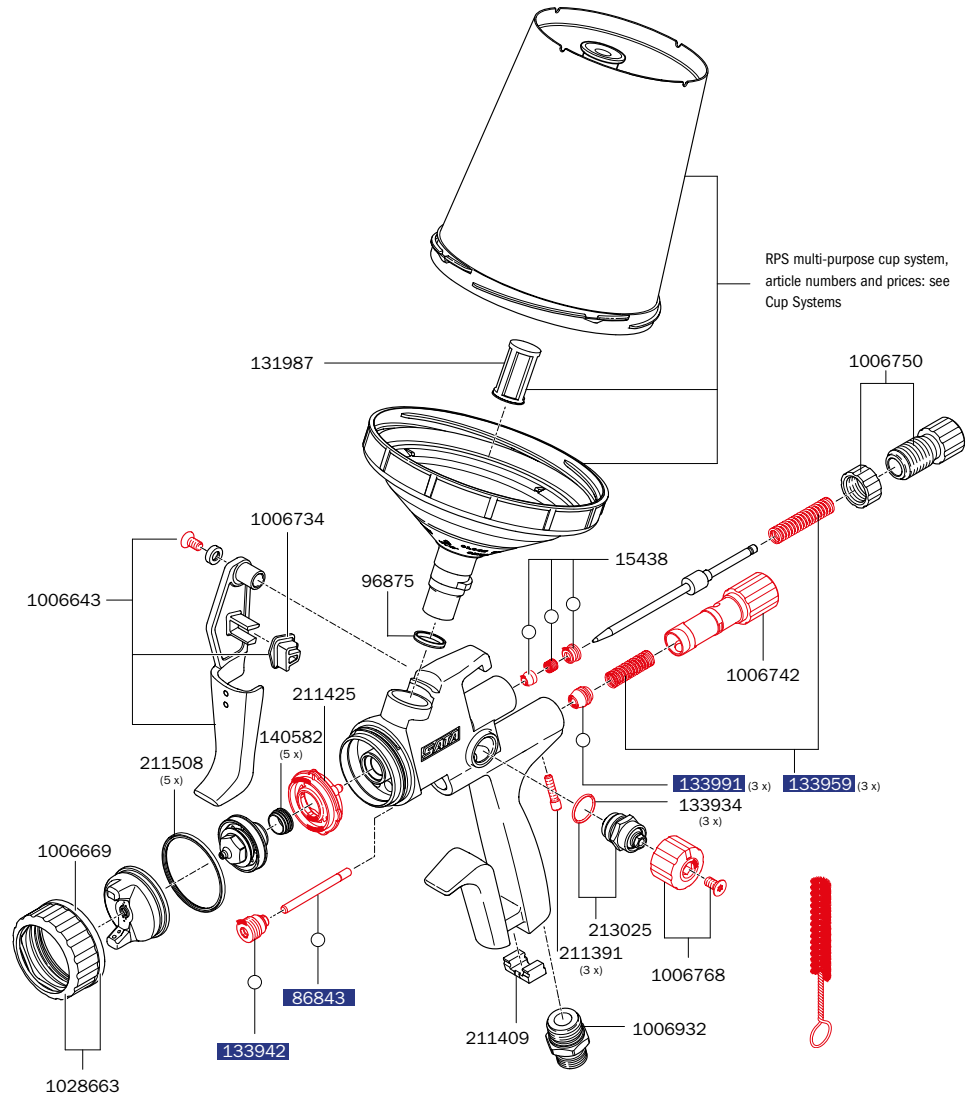
Control knob with screw (packing unit 2 pieces)

1006932

Air connection piece 1/4" male thread

1028663

Air cap ring, cpl. with color marking ring



RPS multi-purpose cup system, article numbers and prices: see Cup Systems

SPRAY GUNS

CUP SYSTEMS

BREATHING PROTECTION

FILTER TECHNOLOGY

ACCESSORIES

MERCHANDISING ITEMS

Tool kit

211524

- Universal spanner
- Combi tool
- Cleaning brush
- CCS clips
- Paint strainer
- Extraction tool



1097379

Universal spanner kit (pack of 3 pieces)

Repair kit

1006809

Repair kit

82552

Air piston service unit

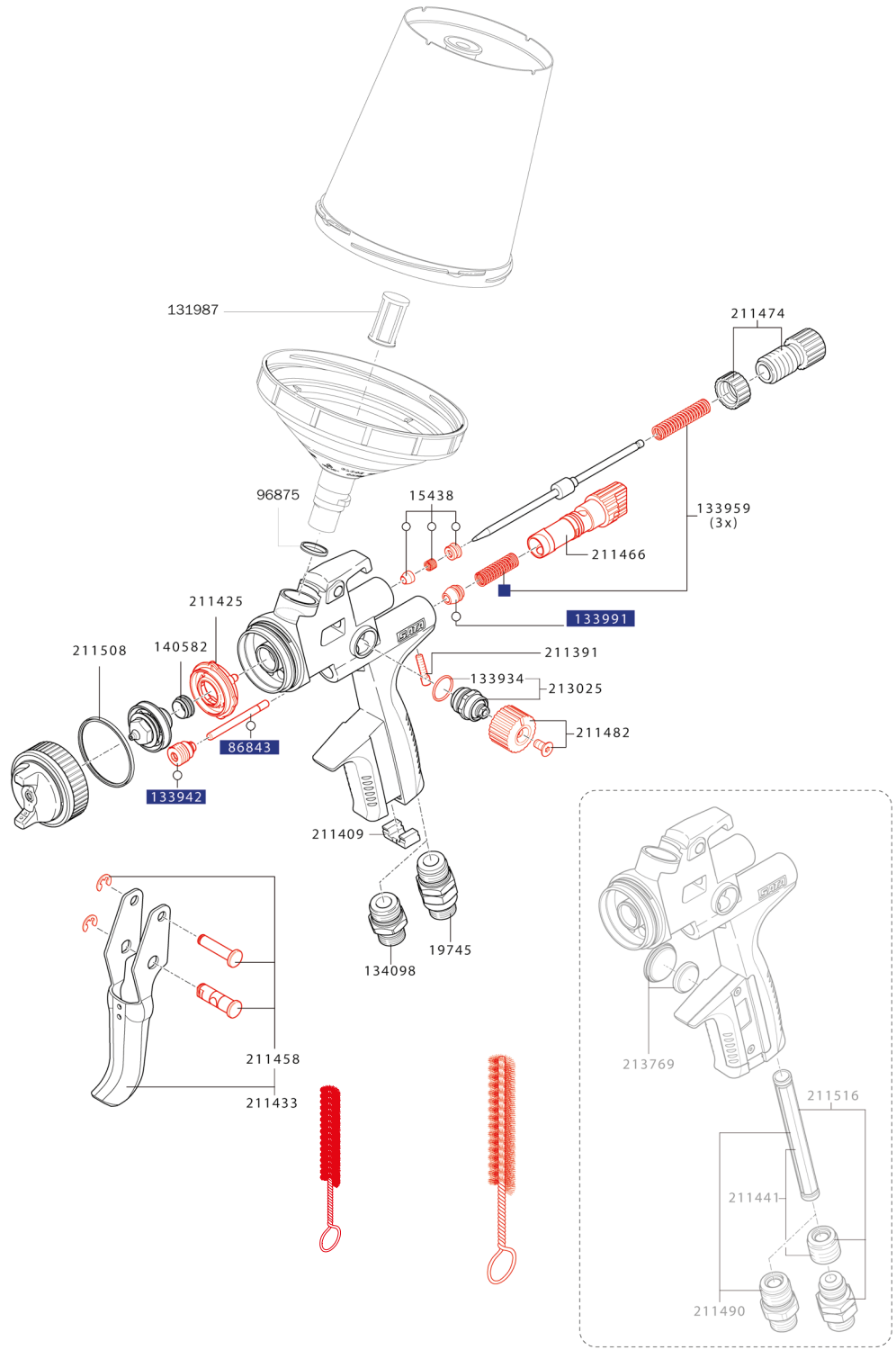
136960

Sealing kit

Errors, technical modifications and printing errors reserved.

Spare parts for discontinued spray gun models
SATAjet 5000 B

1097379
Universal spanner (pack of 3 pieces)
131987
Spare plug-in sieve 200 µm, pastel green (packing unit 100 pieces)
133934
Sealing (packing unit 3 pieces) for spindle
133942
Seal retainer, cpl.
133959
Spring Kit - pPressure spring (3 pieces) for paint needle and air piston
133991
Air piston head (packing unit 3 pieces)
134098
Air connection piece 1/4" (male thread)
140582
Sealing element (packing unit 5 pieces) for fluid tip
15438
Paint needle packing
16162
Swivel joint
19745
Swivel joint
211391
Locking screw (packing unit 3 pieces) for air micrometer
211409
CCS-Clips, green, blue, red, black (packing unit 4 pieces)
211425
Air distribution ring (packing unit 3 pieces)
211433
Trigger kit
211441
Seal retainer with sleeve
211458
Trigger sleeve kit
211466
Air micrometer
211474
Material flow control with counter nut
211482
Control knob with screw (each 2 pieces)
211490
Air connection with sleeve
211508
Sealing ring (packing unit 5 pieces)
211516
Swivel joint with seal retainer and sleeve
213025
Spindle, cpl., for round / flat spray control
213769
Battery kit
86843
Air piston rod
96875
PVC insert for paint spray guns with QCC cup connection



Tool kit

211524
 Universal spanner, combi tool, cleaning brush, CCS clips, paint strainer



Repair kit

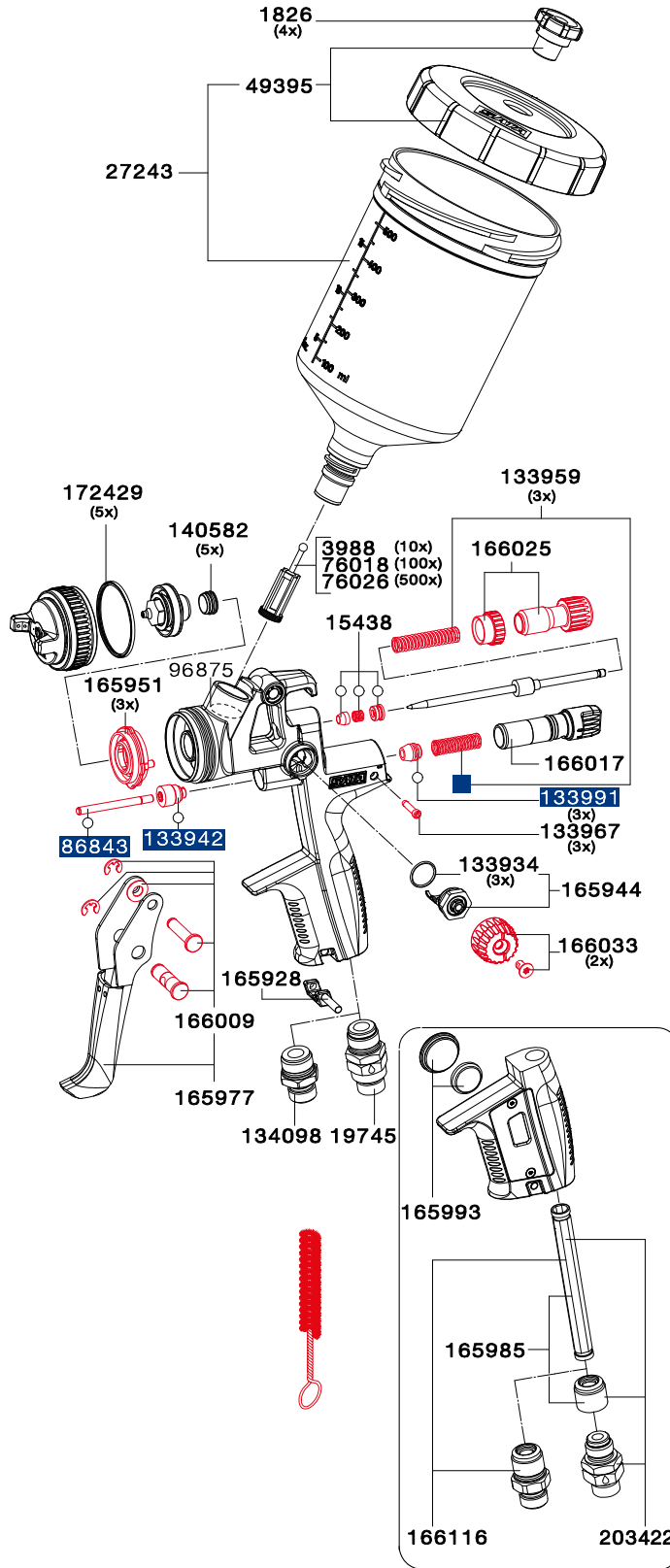
- 211532
Repair kit
- 82552
Air piston service unit
- 0 136960
Sealing kit

Errors, technical modifications and printing errors reserved.

Spare parts for discontinued spray gun models

SATAjet 4800 B

1826	Anti-drip device (packing unit 4 pieces)
3988	Paint strainer, 300 µm (packing unit 10 pieces)
15438	Paint needle packing
19745	Swivel joint
27243	Reusable plastic cup, 0.6 l with QCC without fine thread
49395	Screw-on lid for 0.6 l PVC cup with drip-catching ring and non-drip device
76018	Paint strainer, 300 µm (packing unit 100 pieces)
76026	Paint strainer, 300 µm (packing unit 500 pieces)
86843	Air piston rod
96875	PVC insert for paint spray guns with QCC cup connection
133934	Sealing (packing unit 3 pieces) for spindle
133942	Seal retainer, cpl.
133959	Spring Kit - pressure spring (3 pieces) for paint needle and air piston
133967	Adjustment screw (packing unit 3 pieces) for air micrometer
133991	Air piston head (packing unit 3 pieces)
134098	Air connection piece 1/4" (male thread)
140582	Sealing element (packing unit 5 pieces) for fluid tip
165928	CCS Clips, green, blue, red, black (packing unit 4 pieces)
165944	Spindle for round/flat spray control >Quarter Turn<
165951	Air distribution ring (packing unit 3 pieces)
165977	Trigger kit
165985	Seal retainer with sleeve
165993	Battery kit
166009	Trigger sleeve kit
166017	Air micrometer
166025	Material flow control with counter nut
166033	Control knob with screw (each 2 pieces)
166116	Air connection with sleeve
172429	Sealing ring (packing unit 5 pieces)
203422	Seal retainer with sleeve and swivel joint



Tool kit

- 165936
 - Universal spanner
 - Combi tool
 - Cleaning brush
 - CCS clips
 - Paint strainer
 - Extraction tool



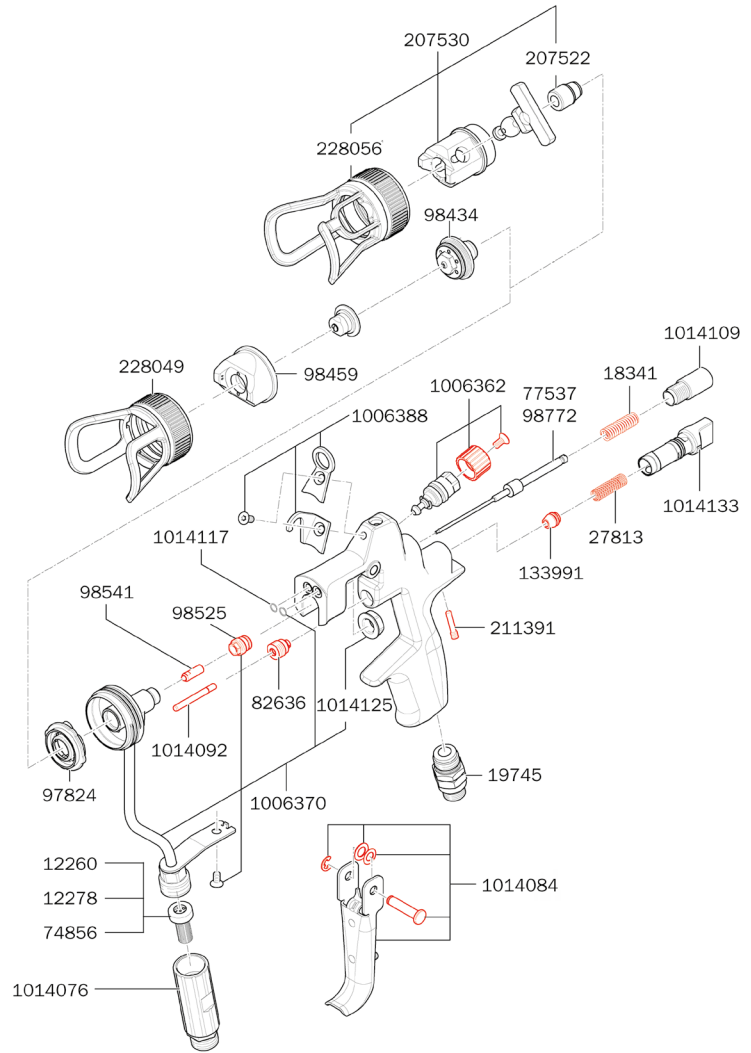
Repair kit

- 166058
 - Repair kit
- 82552
 - Air piston service unit
- 136960
 - Sealing kit

Errors, technical modifications and printing errors reserved.

Spare parts for discontinued spray gun models
SATAjet 4800 K
spray mix

1006362
Round/Flat spray control, cpl.
1006370
Nozzle head and material supply cpl., without filter adapter and swivel joint
1006388
Kit, consisting of gun suspension hook, suspension eye and countersunk screw, each 1 piece [for SATAjet 4800 K spray mix]
1014076
Material filter housing, cpl. with swivel joint
1014084
Trigger kit
1014092
Air piston rod
1014109
Locking screw
1014117
O-ring nozzle head (packing unit 10 pieces)
1014125
Nozzle head nut
1014133
Air micrometer, cpl.
12260
Sieve 60 msh (packing unit 4 pieces)
12278
Sieve, 100 msh (packing unit 4 pieces)
133991
Air piston head (packing unit 3 pieces)
18341
Pressure spring for paint needle
19745
Swivel joint
207522
Gasket unit inversion switch
207530
Retrofit kit, inversion switch without inversion nozzle
211391
Locking screw (packing unit 3 pieces) for air micrometer
228049
Air cap ring with protection against accidental contact
228056
Air cap ring with protection against accidental contact
27813
Spring for air piston of SATA spray guns except for SATA minijet
74856
Strainer kit: Sieve 200 msh (4 pcs.), strainer holder (2 pcs.), screw (1 pcs.)
77537
Paint needle SATAjet 4800 K spray mix, 3000 K spray mix, jet K3 spray mix without needle tip
82636
Seal retainer, cpl.
97824
Air distribution ring (3 pieces)
98434
Pre-nozzle, cpl. SATA jetK3 Spray mix
98459
Air cap round/flat spray fan
98525
Seal retainer, cpl.
98541
Carbide needle tip
98772
Paint needle with carbide needle tip, cpl.



Tool kit

1006966
 Universal spanner, Cleaning brush, Extraction tool



30833
 SATA nozzle cleaning kit, includes sealing insert and cap



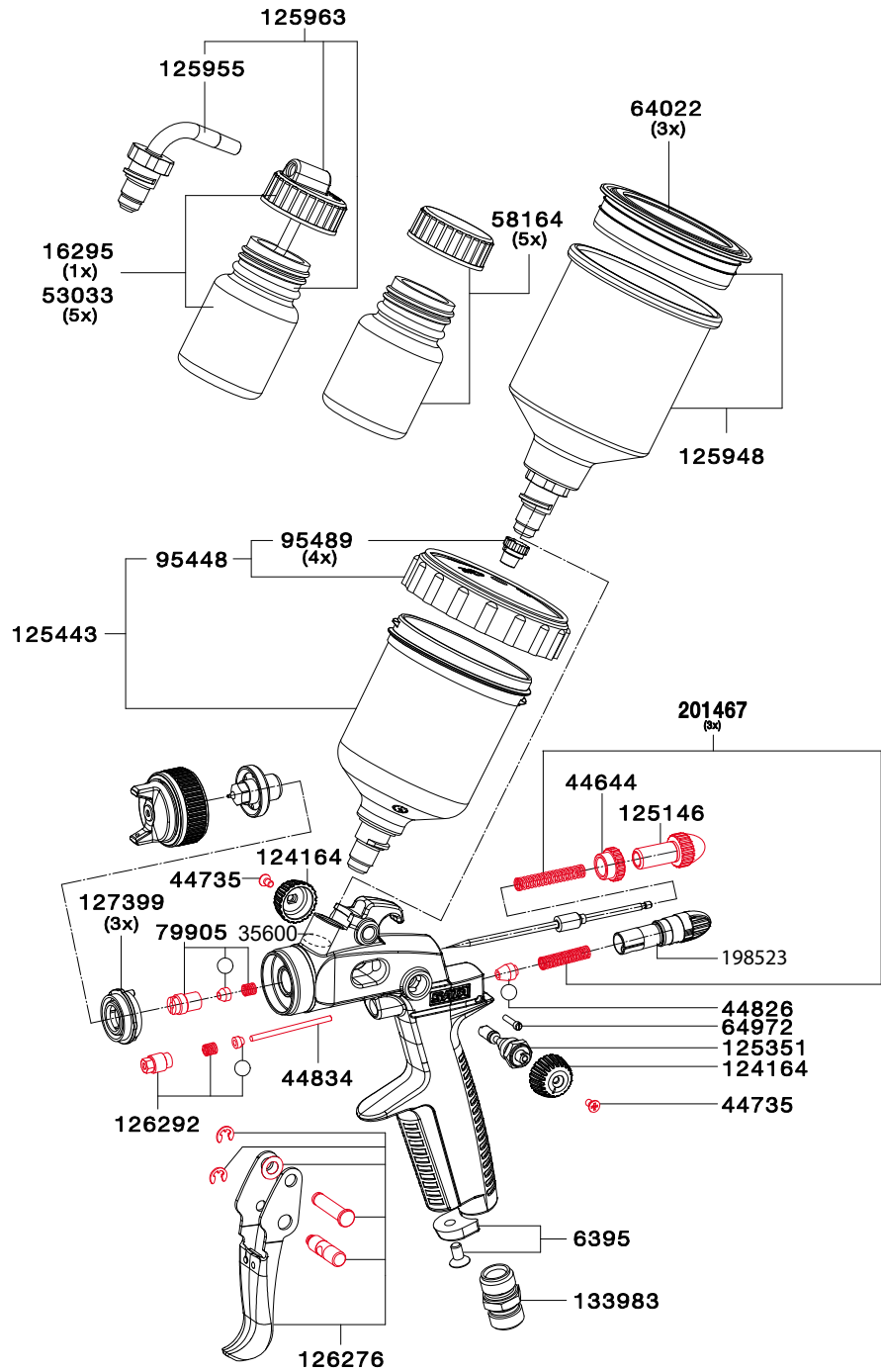
Repair kit

1006940
 Repair kit

Spare parts for discontinued spray gun models

SATAmijinjet 3000 B HVLP

6395	CCS Clips, green, blue, red, black packing unit 4 pieces)
35600	PVC insert cup connection SATAmijinjet 3000 B HVLP, minijet 4 HVLP, jet 20 B, dekor 2000
44644	Counter nut
44735	Countersunk screw M 2.5 x 5, VA
44826	Air piston head
44834	Air piston rod
53033	25 ml glass cup with plug-in cup (packing unit 5 pieces)
58164	25 ml glass cup with blind lid (packing unit 5 pieces)
64022	Plastic lid (3 pieces)
64972	Adjustment screw for air micrometer
79905	Paint needle packing
95448	Screw-on lid 125 ccm PVC cup with anti-drip device
95489	Anti-drip device (4 pieces)
124164	Control knob
125146	Material flow control screw
198523	Air micrometer, complete
125351	Spindle SATAmijinjet 3000 B HVLP, minijet 4 HVLP
125443	Reusable plastic cup, 0.125 l with QCC and fine thread
125948	0.15 l QCC reusable aluminium cup, cpl.
125955	Plug-in cup connection with QCC SATAjet 20 B, dekor 2000, minijet 3000 B HVLP, minijet 4 HVLP
126276	Trigger kit
126292	Packing kit air piston rod SATAmijinjet 3000 B HVLP, minijet 4 HVLP
127399	Air distribution ring (packing unit 3 pieces)
133983	Air connection piece 1/4" male thread
201467	Pressure spring (each 3 pieces) for paint needle and air piston



Tool kit

- 125856
- Extraction tool
- Cleaning brush
- Wrench
- Universal spanner



Repair kit

- 126284
- Repair kit
- 50658
- Sealing kit

SPRAY GUNS

CUP SYSTEMS

BREATHING PROTECTION

FILTER TECHNOLOGY

ACCESSORIES

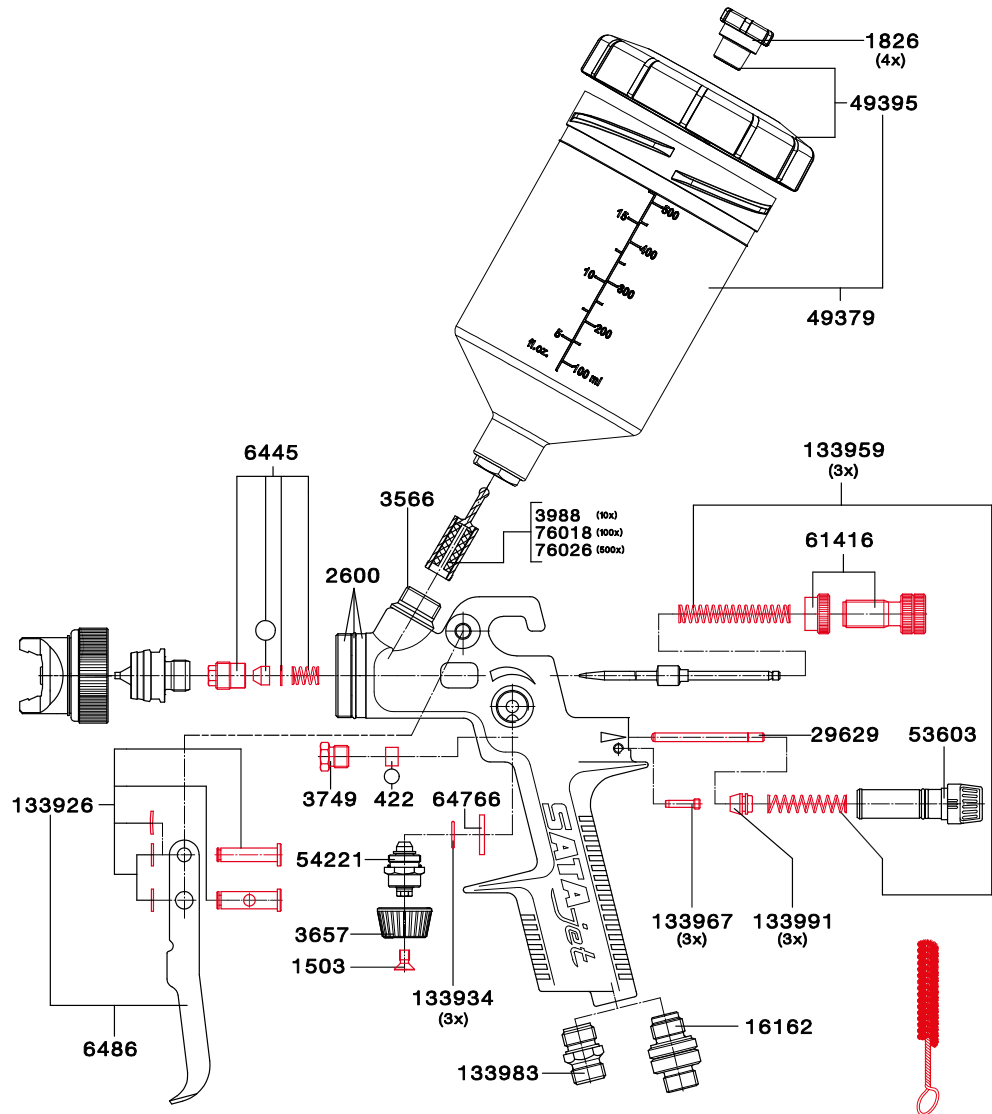
MERCHANDISING ITEMS

Errors, technical modifications and printing errors reserved.

Spare parts for discontinued spray gun models

**SATAjet B /
SATAjet GR**

422	Gasket for air piston
1503	Countersunk screw M4 x 8 DIN 965, stainless steel, for micrometer und round/flat spray control
1826	Anti-drip device (packing unit 4 pieces)
2600	Service unit for nozzle insert for SATAjet/B, H, K and NR 92, consisting of nozzle insert, distribution plate and sealing ring
3566	Inlet nipple
3657	Control knob
3749	Stuffing box for air piston SATAjet, KL, HKD and MC-B
3988	Paint strainer, 300 µm (packing unit 10 pieces)
6445	Paint needle packing
6486	Trigger kit
16162	Swivel joint
29629	Air piston rod
49379	0.6 l reusable plastic cup, cpl.
49395	Screw-on lid for 0.6 l PVC cup with drip-catching ring and non-drip device
53603	Air micrometer
54221	Spindle complete, for SATAjet/90, SATAjet, regulation valve and MC-B
61416	Material flow control with counter nut
64766	Washer
76018	Paint strainer, 300 µm (packing unit 100 pieces)
76026	Paint strainer, 300 µm (packing unit 500 pieces)
133926	Trigger sleeve kit
133934	Sealing (packing unit 3 pieces) for spindle
133959	Spring Kit - pressure spring (3 pieces) for paint needle and air piston
133967	Adjustment screw (packing unit 3 pieces) for air micrometer
133983	Air connection piece 1/4" male thread
133991	Air piston head (packing unit 3 pieces)



Tool kit

- 9654
- Paint strainer
 - Cleaning brush
 - Socket wrench 7 mm width
 - Internal hexagonal wrench 2/4 mm width
 - Universal spanner



Repair kit

- 69666
- Repair kit
-
- 9829
- Sealing kit

Errors, technical modifications and printing errors reserved.

SATA adam 2, SATA adam 2 black

Technical data:

Maximum operating pressure: 145 psi

Max. operating temperature: 140 °F

Display accuracy: +/- 1 psi


Available versions

211557

SATA adam 2 psi for SATAjet 5000, SATAjet X 5500 and SATAjet X PHASER



1031715

SATA adam 2 black psi for SATAjet 5000, SATAjet X 5500 and SATAjet X PHASER



160853

SATA adam 2 psi for SATA spray guns except for SATAminijet, SATAjet 5000, SATAjet X 5500 and SATAjet X 5500 PHASER



160887

SATA adam 2 mini psi for SATAminijet 4400 B, SATAminijet 3000 B and 1000 K/H



195222

SATA adam 2 U (air micrometer with adam 2 display psi)


Spare parts & Accessories

160697

SATA adam 2 display psi



1031658

SATA adam 2 black display psi



160739

Battery kit for SATA adam 2



160788

SATA adam 2 dock for SATA spray guns except for SATAminijet, SATAjet 5000, SATAjet X 5500 and SATAjet X 5500 PHASER



160796

SATA adam 2 dock (packing unit 2 pieces) for SATA spray guns except for SATAminijet, SATAjet 5000, SATAjet X 5500 and SATAjet X 5500 PHASER



160861

SATA adam 2 mini dock for SATAminijet spray guns



211565
SATA adam 2 dock for SATAjet 5000, SATAjet X 5500 and SATAjet X 5500 PHASER



211573
SATA adam 2 dock (packing unit 2 pieces) for SATAjet 5000, SATAjet X 5500 and SATAjet X 5500 PHASER

195230
SATA adam 2 U dock (air micrometer 1/4" male thread and G 1/4" female thread with SATA dock)



162164
Locking clip (packing unit 5 pieces) for SATA adam 2

162172
O-ring (packing unit 2 pieces) for SATA adam 2







162081
SATA dock protect (packing unit 5 pieces) for SATA adam 2



195925
SATA dock with 1/8" (male thread)



203117
Reducing piece 1/4" (male thread) and G 1/8" (female thread)

	SATAjet X 5500 PHASER SATAjet X 5500 SATAjet 5000 B PHASER SATAjet 5000 B	SATAjet 4000 B	SATAjet 3000 B	SATAjet 1000 B	SATAjet 100 B, SATAjet 1500 B Solv	SATAjet B, SATAjet GR	SATAminijet 4400 B SATAminijet 3000 B SATAminijet 4	SATA dry jet	Competitor spray guns	Retrofitting micrometer with pressure gauge #27771	Retrofitting atomisation air control gauge #4002	Filters and systems with G 1/8" female thread
 211557 adam 2	X											
 1031715 adam 2 black												
 160853 adam 2		X	X	X	X	X						
 160887 adam 2 mini							X					
 195222 adam 2 U	X	X	X	X	X	X	X	X	X			
 195925 SATA dock with 1/8" male thread										X	X	X

Pressure gauges and micrometer

27771
SATA air micrometer with gauge, 1/4" (male thread and G 1/4" (female thread)



4002
High-volume in-line pressure gauge with unrestricted airflow to the spray gun (non-adjustable). HVLP and RP colour-coded pressure gauge face with a high flow coupler and nipple.



9860
SATA air micrometer 0-845, 1/4" (male thread) and G 1/4" (female thread)



Errors, technical modifications and printing errors reserved.

Spare parts for SATA spray guns with gravity flow cup

SPRAY GUNS

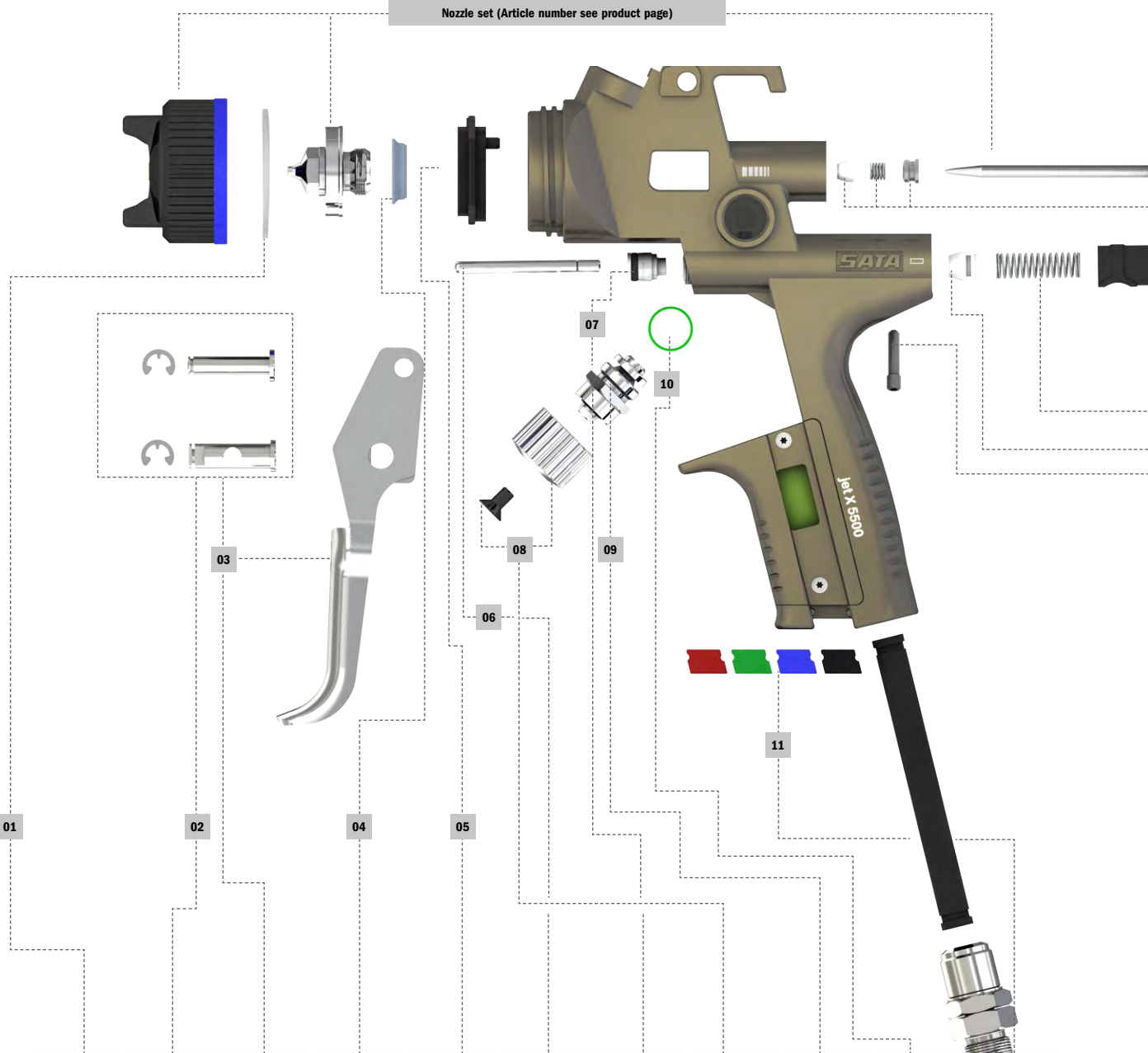
CUP SYSTEMS

BREATHING PROTECTION

FILTER TECHNOLOGY

ACCESSORIES

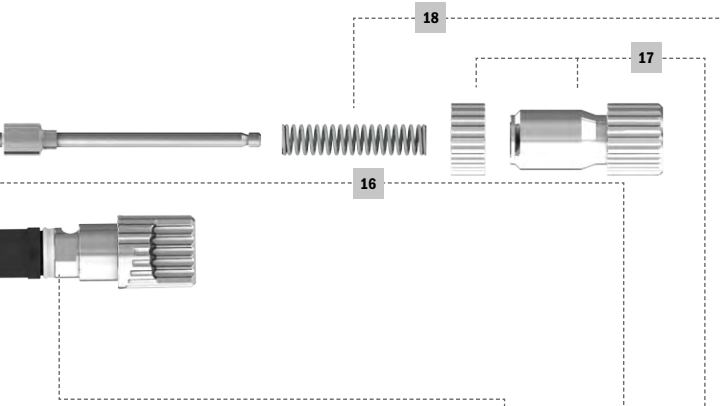
MERCHANDISING ITEMS



	01	02	03	04	05	06	07	08	09	10	11
	Seal ring	Trigger sleeve kit	Trigger kit	Sealing element for fluid tip	Air distribution ring	Air piston rod	Seal retainer	Control knob	Spindle with seal	Spindle seal	CCS clips

Gun type	01	02	03	04	05	06	07	08	09	10	11
X 5500		211458	211433					1057357			
X 5500 PHASER	211508	-	1092973			86843		1092999	213025		211409
5000 B		211458	211433		211425			211482			
4000 B	172429	166009	165977	140582	165951		133942	166033	165944	133934	165928
1500 B SolV	130393	1011361	1011353					1011486			
100 B	130393	133926	130492		143230	91959		140574	89771		6395
1000 B											
minijet 4400 B	200907	199463	198473	199455	197467	198408	199414	200162	198549	199471	197418

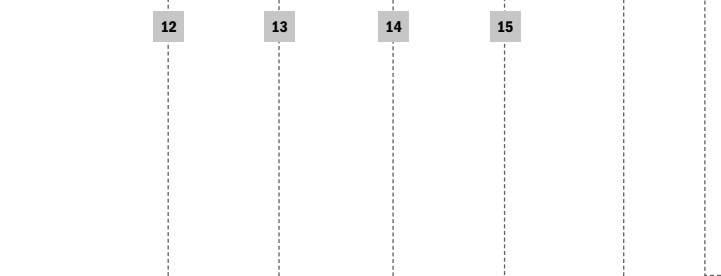
Errors, technical modifications and printing errors reserved.



Air connection piece					
Standard jet X 5500 PHASER	Standard	Standard swivel joint	DIGITAL	DIGITAL swivel joint with seal retainer and sleeve	Seal retainer with sleeve*

X 5500	-	134098	19745	211490	211516	211441
X 5500 PHASER	1092981	-		-	-	-
5000 B	-	-	-	211490	211516	211441
4000 B				166116	203422	165985
1500 B SoLV				-	-	-
100 B	134098	16162	-	-	-	-
1000 B				-	-	-
minijet 4400 B				-	-	-

* only for DIGITAL with swivel joint



12	13	14	15	16	17	18	19	20	21	22
Locking screw	Air piston head	Pressure spring air piston	Air micrometer (air flow control knob)	Paint needle packing	Material flow control	Pressure spring paint needle	Battery kit	Anti-drip device	Screw-on lid	Strainer 300µm

211391	133991	133959*	211466	15438	211474	133959*	1057414	1826	49395	3988 (10x)	X 5500
			1093012		1093004		-				X 5500 PHASER
			211466		211474		213769				5000 B
			166017		166025		165993				4000 B
			1011379		1011387		-				76018 (100x)
133967	139964	139188	76026 (500x)	100 B							
199430	199448	201467* *	198523	199414	199406	201467*	197558	199075			1000 B
											minijet 4400 B

Gun type

Errors, technical modifications and printing errors reserved.

* in a set

Accessories for spray guns

Air connection

6981

SATA quick coupling nipple G 1/4" (female thread) (packing unit 5 pieces)



99895

Flexible quick coupling nipple G 1/4" (female thread)



Storage

9886

SATA gravity gun holder for gravity cup spray guns



40188

SATA spray gun display holder



192195

SATA universal spray gun and hose holder for all SATA spray guns



69328

SATA spray gun holder for SATAminijet 4400 B, minijet 3000 B, jet 20 B



134916

Triple spray gun holder for wall mounting



134882

Spray gun holder with strainer holder



134932

Insert for spray gun holder with strainer holder for SATAminijet

1750

Spray gun holder, complete



186833

Spray gun stand acrylic w 10 x h 7.5 x d 14 cm



Quality Control

161596
SATA cert, with archive, spray pattern block, single sheet holder and distance marker



161646
Spray pattern blocks with 25 sheets (packing unit 2 pieces) for SATA cert

161661
Distance marker for SATA cert

Other Accessories

3988
Paint strainer, 300 µm (packing unit 10 pieces) for SATA spray guns except for SATAMinijet 3000 B

76018
Paint strainer, 300 µm (packing unit 100 pieces)

76026
Paint strainer, 300 µm (packing unit 500 pieces)



9845
SATA viscosity cup 4.0 mm, flow time tolerance < 1 sec.



9852
SATA viscosity cup 4.0 mm, flow time tolerance < 1.5 sec.



59675
SATA dosenboy, to cut out can lids from cans up to 36 cm height



59659
Wheel for SATA DOSENBOY

59667
Blade for SATA dosenboy

16477
SATA compressed air-driven hand agitator



1040815
Air cap protector UV, black (packing unit 5 pieces) for SATAjet 3000, 4000, 5000 series

1040807
Air cap protector UV, black (packing unit 5 pieces) for SATAjet 100 and 1000 series

1044594
Air cap protector UV, black (packing unit 5 pieces) for SATAMinijet 4400 B

1054006
Air cap protector, black (packing unit 5 pieces) for SATAjet 3000, 4000, 5000 series

1054014
Air cap protector, black (packing unit 5 pieces) for SATAjet 100 and 1000 series

1054030
Air cap protector, black (packing unit 5 pieces) for SATAMinijet 4400 B

1054022
Air cap protector, black (packing unit 5 pieces) for SATAMinijet 1000/3000 B



Cleaning and Maintenance of Spray Guns

Storage

60095
SATAclean wet holding tray for 3 spray guns



Cleaning accessories

162628
SATA care set spray gun care bag containing 1 large cleaning brush, 5 medium-sized cleaning brushes, 5 double-sided cleaning brushes, 12 nozzle cleaning needles, 1 tube high performance grease, silicone- and acid-free, 100 g



48173
SATA high performance grease, silicone- and acid-free, 100 g for spray guns



9894
SATA nozzle cleaning needles (pack of 36 pieces, packed to 12 pieces each)



62174
SATA nozzle cleaning needles (pack of 12 pieces)

64030
SATA cleaning kit with 2 cleaning brushes, medium and 12 nozzle cleaning needles



6007
Cleaning brush (packing unit 10 pieces) for spray guns



9209
Cleaning brush, double-sided (pack of 10 pieces) for spray guns



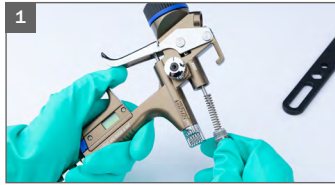
158840
Cleaning brush, large (packing unit 5 pieces) for spray guns



29280
Cleaning brush (packing unit 10 pieces) for suction pipe of suction cup spray guns

▶ Please also observe the SATA cleaning devices on page 140.

Disassembly of nozzle set



1 First remove paint needle.



2 Followed by the cap.



3 And finally, unscrew fluid tip with the ring spanner integrated in the universal spanner.

Cleaning and drying



1 Clean the material passage



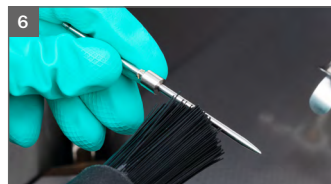
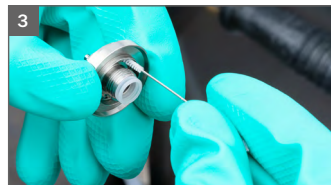
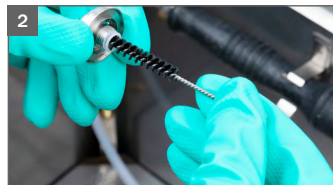
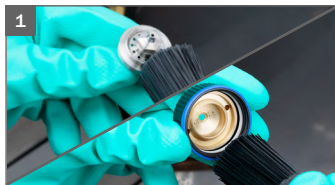
2 Clean the spray gun body



3 Dry with blow gun

When cleaning the spray gun manually, please ensure not to use brushes made of metal wires which could possibly damage the spray gun. Furthermore, please make sure that no cleaning fluid ends up in the air passages of the spray gun body.

Cleaning of the nozzle set



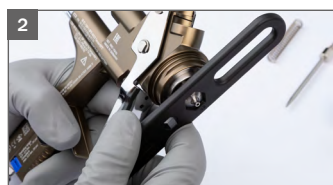
When cleaning the nozzle components, please make sure that metal parts of brushes do not damage the nozzle set. Ideally, please use specially designed SATA cleaning brushes and SATA nozzle cleaning needles to ensure optimum cleaning and maintenance of the nozzle set.

Please watch our video at www.sata.com/TV concerning "Cleaning and Maintenance of Spray Guns". Or simply order the cleaning brochure (Art. No. 158162) or the cleaning poster (Art. No. 168070) free of charge!
www.sata.com/firstaid

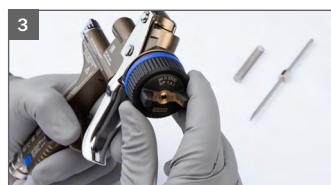
Assembly and maintenance



1 Assembly of the fluid tip



2 Tighten fluid tip by hand using the universal spanner.



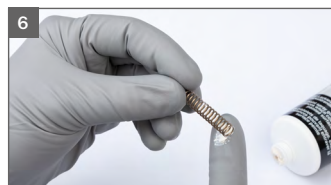
3 Assembly of the air cap



4 Grease paint needle around the needle packing area



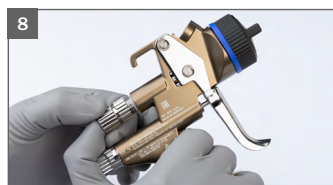
5 Insert paint needle



6 Grease and insert paint needle spring



7 Grease thread of material flow control screw



8 Install material flow control screw



9 Grease visible part of air piston rod

Errors, technical modifications and printing errors reserved.



SPRAY GUNS

CUP SYSTEMS





BREATHING PROTECTION

FILTER TECHNOLOGY

ACCESSORIES

MERCHANDISING ITEMS

Cup Systems

Cup type/capacity	Fields of application	Operating mode
 <p>SATA RPS multi-purpose cups 0.3 l / 0.6 l / 0.9 l 76 – 79</p>	<p>Multi-purpose gravity cup with paint sieve for frequent colour changes. For mixing, painting and storing. No adapters required for all current SATA spray guns</p>	<ul style="list-style-type: none"> Optionally available with QCC bayonet lock and male thread Adapters for older SATA spray gun models and spray guns from other manufacturers are available
 <p>SATA reusable cup 0.125 l / 0.15 l / 0.3 l / 0.6 l / 0.75 l / 1.0 l 80</p>	<p>Reusable plastic or aluminium gravity flow cups for SATA spray guns</p>	<ul style="list-style-type: none"> Optionally available with QCC bayonet lock and male thread or with female thread for older SATA spray gun models
 <p>SATA agitator cup 0.7 l 83</p>	<p>Reusable aluminium gravity flow cup with integrated agitator for the application of materials with settling components, e.g. effect paints. Agitator with air regulation valve for speed adjustment</p>	<ul style="list-style-type: none"> Optionally available with QCC bayonet lock and male thread
 <p>SATA BVD adapter 0.7 l 84</p>	<p>Pressurised reusable aluminium gravity flow cup for the application of high-viscosity materials</p>	<ul style="list-style-type: none"> Optionally available with QCC bayonet lock and male thread or with female thread for older SATA spray gun models

Collect coins with every cup now!

SATA Loyalty Program
coins & more

Further Information:

www.sata.com/en-amn/service/coins-and-more



SATA RPS

Multi-Purpose Cup System

Suitable for all paint materials! Please observe the recommendations of the paint manufacturers to choose the correct sieves (flat sieve 125 µm or plug-in sieve 200 µm).



Available versions

SATA RPS 0.3 l

Packing unit 60 pieces

1010553

SATA RPS 0.3 l minijet, 125 µm flat sieve



Packing unit 60 pieces

1010561

SATA RPS 0.3 l minijet, 200 µm plug-in sieve



Packing unit 40 pieces

1010389

SATA RPS 0.3 l standard, 125 µm flat sieve



Packing unit 100 pieces

1010420

SATA RPS 0.3 l standard, 125 µm flat sieve



Packing unit 40 pieces

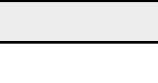
1010397

SATA RPS 0.3 l standard, 200 µm plug-in sieve

Packing unit 100 pieces

1010404

SATA RPS 0.3 l standard, 200 µm plug-in sieve



SATA RPS 0.6 l

Packing unit 60 pieces

1010438

SATA RPS 0.6 l 125 µm flat sieve



Packing unit 60 pieces

1010545

SATA RPS 0.6 l, 200 µm, flat sieve



Packing unit 60 pieces

1010488

SATA RPS 0.6 l 200 µm plug-in sieve



SATA RPS 0.9 l

Packing unit 40 pieces

1011973

SATA RPS 0.9 l, 125 µm flat sieve



Packing unit 40 pieces

1012004

SATA RPS 0.9 l, 200 µm flat sieve



Packing unit 40 pieces

1011981

SATA RPS 0.9 l, 200 µm plug-in sieve



SATA RPS 0.6 l UV

Packing unit 60 pieces

1010496

SATA RPS UV 0.6 l 125 µm flat sieve



Packing unit 60 pieces

1010503

SATA RPS UV 0.6 l 200 µm plug-in sieve

Spare Parts

SATA RPS

1013226
Spare lid for SATA RPS 0.6 l / 0.9 l (packing unit 80 pieces)

131979
Spare flat sieve 125µm, pastel blue (packing unit 100 pieces) for SATA RPS 0.6l / 0.9l

131987
Spare plug-in sieve 200 µm, pastel green (packing unit 100 pieces) for SATA RPS 0.3 l / 0.6 l / 0.9 l

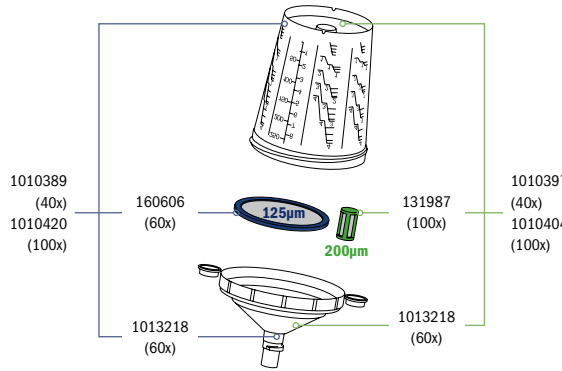
160606
Spare flat sieve 125 µm, pastel blue (packing unit 60 pieces) for SATA RPS 0.3 l

1013218
Spare lid for SATA RPS 0.3 l Standard (packing unit 60 pieces)

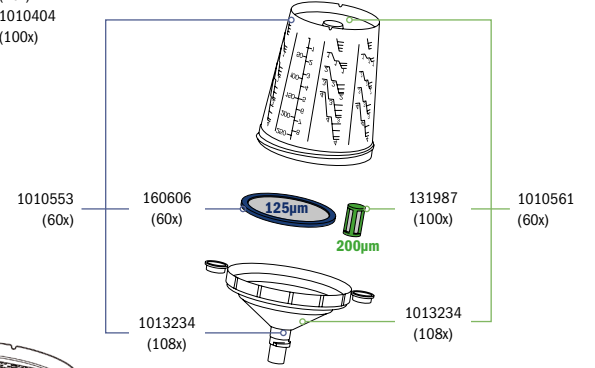
1013234
Spare lid for SATA RPS 0.3 l minijet (packing unit 108 pieces)

144964
Spare flat sieve 200 um, pastel green (packing unit 100 pieces) for SATA RPS 0.6 l / 0.9 l

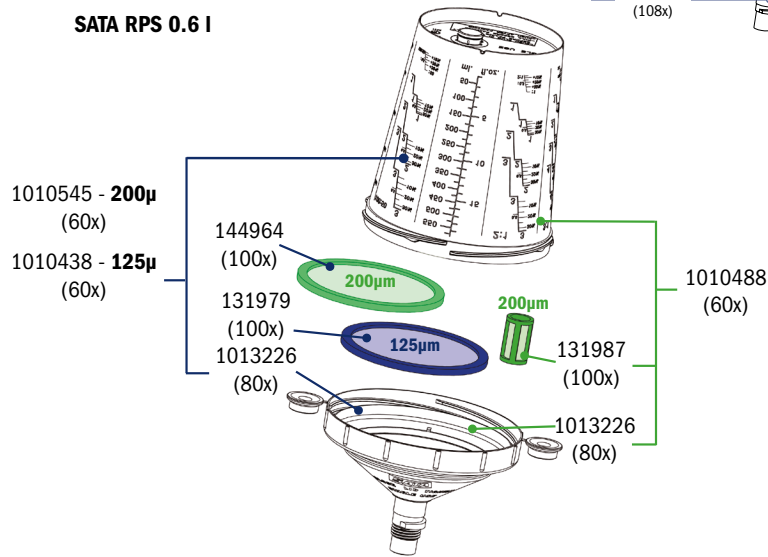
SATA RPS 0.3 l standard



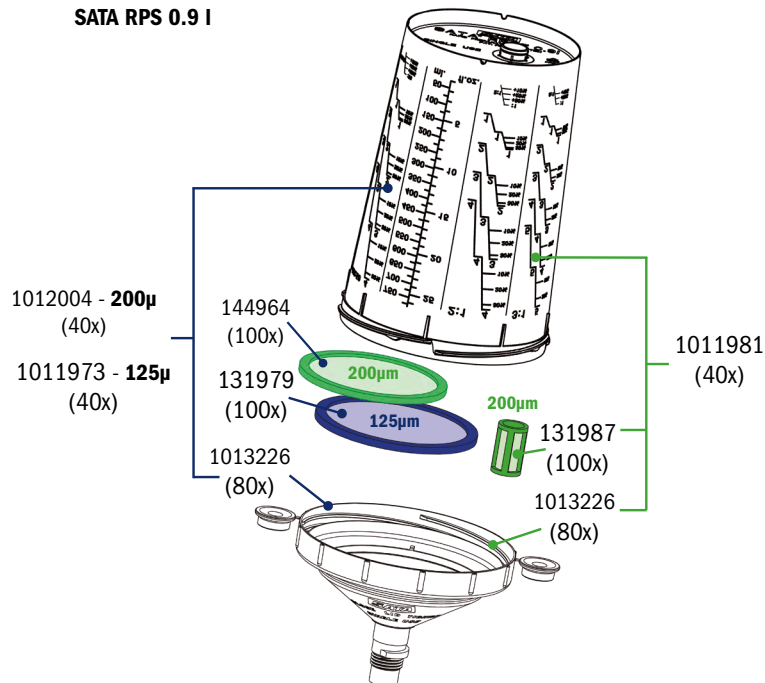
SATA RPS 0.3 l minijet (for SATAMinijet 3000 B)



SATA RPS 0.6 l



SATA RPS 0.9 l



SATA RPS Accessories

Technical data:

SATA RPS wall dispenser:	W x H x D: 80 x 100 x 18 cm
SATA RPS extension kit:	W x H x D: 40 (120) x 100 x 18 cm
SATA RPS rotawall adapter kit:	B: Ø 65 cm; H: 136 cm
SATA RPS rotafloor adapter kit:	B: Ø 65 cm H max.: 210 cm; H min.: 123 cm



Available versions

195784

SATA RPS wall dispenser, standard version: 2x cup tubes / 2x lid tubes / 2x sieve tubes and 2x aluminium slats



195776

SATA RPS extension kit, add-on kit: 1x cup tube / 1x lid tube / 1x sieve tube for flat sieves, with aluminium slat



196543

SATA RPS rotawall adapter kit: carousel ground spindle and wall holder (top and bottom)



Tubes are not included in the scope of delivery.

196550

SATA RPS rotafloor adapter kit: carousel ground spindle, steel pipe
+ **197723 (floor plate)**



Tubes are not included in the scope of delivery.

Accessories for SATA RPS

144840

SATA RPS depot to store RPS boxes



127852

Spray bottle 1.0 l



127860

Pump-spray cleaning bottle, not suitable for thinner



165399

SATA RPS mix lid, flat lid (packing unit 50 pieces) allows stacking of RPS 0.6 l and 0.9 l cups



117051

Shaker ring for SATA RPS 0.6l / 0.9l

Accessories for SATA RPS

213629

Fixing kit for tube adhesive pad, adhesive foil, holder for adhesive pad for SATA RPS dispenser



213637

Cup holder for tube for SATA RPS dispenser



213645

Absorption brush for lid standard for SATA RPS dispenser

213652

Absorption brush for lid mini for SATA RPS dispenser



213660

Dispenser tube for lids for SATA RPS dispenser



213678

Cardboard tube for cups for SATA RPS dispenser



213686

Tube for plug-in and flat sieves for SATA RPS dispenser



215483

Fixing rivet (packing unit 4 pieces) for absorption brush for SATA RPS dispenser



215616

Spare part flat sieve dispenser bottom (1x) for SATA RPS dispenser



1008285

Support frame for lid dispenser for SATA RPS dispenser



1008227

Dispenser flap for plug-in sieve for SATA RPS dispenser



1008219

Dispenser bowl for plug-in sieve for SATA RPS dispenser



1028605

Bracket for plug-in sieve dispenser tray for SATA RPS dispenser



Gravity flow cup for spray guns

Gun type

QCC/ w/o connection thread, suitable for: SATAjet X 5500 PHASER, SATAjet X 5500, SATAjet 5000 B, jet 4000 B, jet 3000 B, jet 2000, jet 1000 B, jet 100 B, jet RP, SATAMinijet 4400 B	QCC/ with connection thread, suitable for: SATAjet 2000, jet RP, KLC, LM 2000 B, jet 90	SATAjet B, jet GR, jet NR 95	SATAMinijet 3000 B, minijet 1 - 4, jet 20 B
--	---	------------------------------	---

Capacity	Art. No.					Lid
----------	----------	--	--	--	--	-----

PVC reusable cup

0.125 l	197541					199075
0.125 l	125443					95448
0.3 l	48587					121293
0.3 l	120675					121293
0.3 l	128470					121293
0.6 l	49379					49395
0.6 l	27243			1004960		49395

RPS Multi-Purpose Cup

0.3 l	1010553					each 60 x
0.3 l	1010561					each 60 x
0.3 l	1010389	each 40 x		+ 125211		
0.3 l	1010397	each 40 x		+ 125211		
0.3 l	1010420	each 100 x		+ 125211		
0.3 l	1010404	each 100 x		+ 125211		
0.6 l	1010438	each 60 x		+ 125211	+ 135798	
0.6 l	1010488	each 60 x		+ 125211	+ 135798	
0.9 l	1011973	each 40 x		+ 125211	+ 135798	
0.9 l	1011981	each 40 x		+ 125211	+ 135798	









SPRAY GUNS
 CUP SYSTEMS
 BREATHING PROTECTION
 FILTER TECHNOLOGY
 ACCESSORIES
 MERCHANDISING ITEMS

Errors, technical modifications and printing errors reserved.

Gun type

Capacity	Art. No.	QCC/ w/o connection thread, suitable for: SATAjet X 5500, SATAjet 5000 B, jet 4000 B, jet 3000 B, jet 2000, jet 1000 B, jet 100 B, jet RP, SATAmijet 4400 B	QCC/ with connection thread, suitable for: SATAjet 2000, jet RP, KLC, LM 2000 B, jet 90	SATAjet B, jet GR, jet NR 95	SATAmijet 3000 B, minijet 1 - 4, jet 20 B	Lid
----------	----------	---	---	------------------------------	---	-----

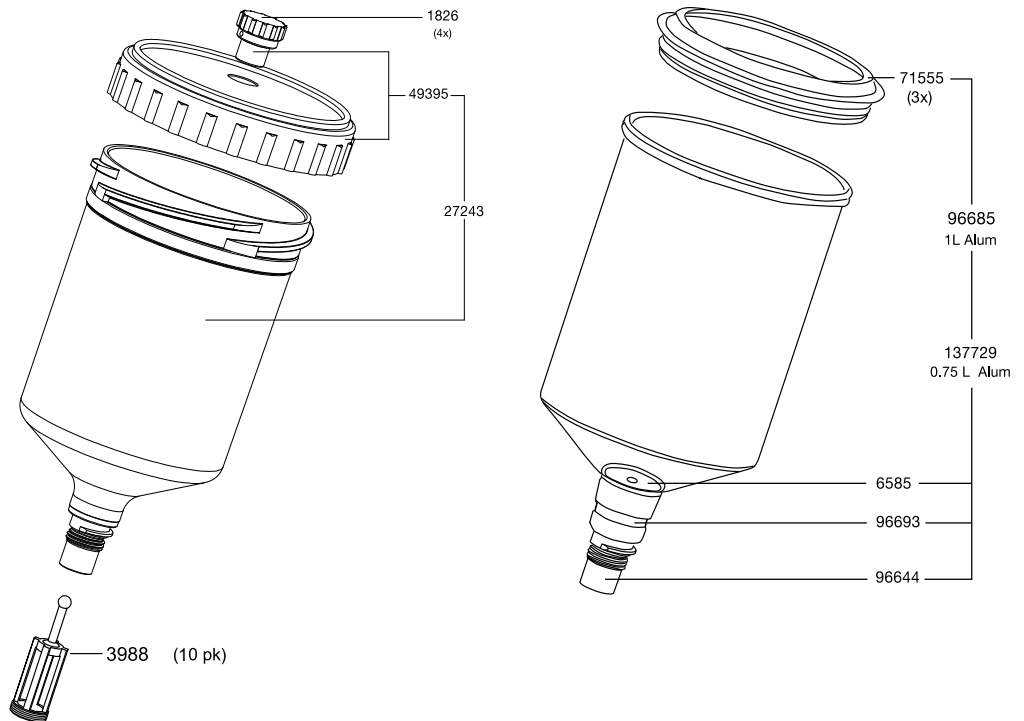
PVC reusable cup

0.15 l	198911					64022 (3 pcs.)
0.15 l	125948					64022 (3 pcs.)
0.75 l	6601					71555 (3 pcs.)
0.75 l	137729		 1013432			71555 (3 pcs.)
1.0 l	46631					71555 (3 pcs.)
1.0 l	96685		 1013440			71555 (3 pcs.)

Spare parts SATA Aluminium and PVC Grafity Flow Cups

Spare Parts













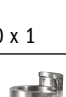
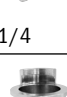
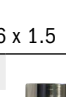
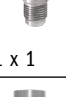
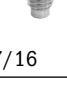
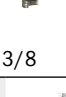

1826	Non-drip device, pk of 4
3988	Sieve, pk of 10
6585	Insert, aluminum cup
27243	Cup, 0.6L QCC plastic, cpl
49395	Lid, 0.6L plastic
71555	Lid, plastic, pk of 3
96644	Nipple, QCC aluminum cup
96685	Cup, 1L QCC aluminum, cpl
96693	Ring, QCC marking
96875	Inner cup seal
137729	Cup, 0.75 L alum, cpl



Errors, technical modifications and printing errors reserved.

RPS Adapters for SATA Spray Guns

Manufacturer	Spray Gun	Adapter	Art No.
SATA	SATAjet 2000 HVLP, RP w/o QCC	2	125237
	SATAjet LM 2000 HVLP/RP, SATAjet 90	2	125237
	SATAjet KLC HVLP/RP, KLC P	2	125237
	SATAjet B, NR 92, NR 95 HVLP	1	125211
	SATAjet LM B 92	7	133595
	SATAmijet, minijet 2, 3, 4	10	135798
	SATAjet 1000 H	16	188292
	SATAmijet 1000 H	17	188318
Binks	MG-1	3	125252
Airgunsa	AZ40 THE	4	125278
Asturo	OM Green	5	125294
3M/Graco	3M PPS	6	126326
DeVilbiss	PRI, GTI, GTI Pro, GFG, GFV, GFHV 510, Tekna, CVi	3	125252
	SRi	15	164608
Starting Line/	HLVP Spray Gun	13	150136
Finish Line	Mini Spray Gun	14	150151
Emininet	E13	4	125278
IWATA	W 400, WR 400, LPA 94	1	125211
	VXL Primer Gun, LPH 400, LPH 440	1	125211
	LPH 80	19	193276
	LS-400 (Super Nova), W 300, WS400 LPH 300	4	125278
	LPH100-LVG	12	147272
Kremlin	M 21 G	20	215079
Optima	800, 900	8	133827
Sagola	475 Mini-Gun	10	135798
	403 G, 433 G, 434 G, 444 G, 450 G	7	133595
	4100 G, 4200 G, 4300, 3300	7	133595
	4400	1	125211
	4400/4500 Xtreme	18	188664
	Sharpe	GT1, Platinum, Titanium, Cobalt, SGF 98, Razor primer	9
	Finex FX 300	8	133827
	Finex FX 1000, 2000, 3000	2	125237
Walcom	FX GEO, FX HVLP	5	125294
	360	2	125237

RPS Adapter		
1 	2 	3 
16 x 1.5	16 x 1.5	3/8
4 	5 	6 
1/4	12 x 1	3/8
7 	8 	9 
12 x 1.5	3/8	3/8
10 	12 	13 
10 x 1	1/4	16 x 1.5
14 	15 	16 
11 x 1	7/16	3/8
17 	18 	19 
1/4	1/4	18 x 1
1/4		1/8
20 		
1/4		

SATA Agitator Cup

Agitator cup

9951

SATA agitator-cup for SATAjet B and GR/B-92 (supplementary equipment)

29926

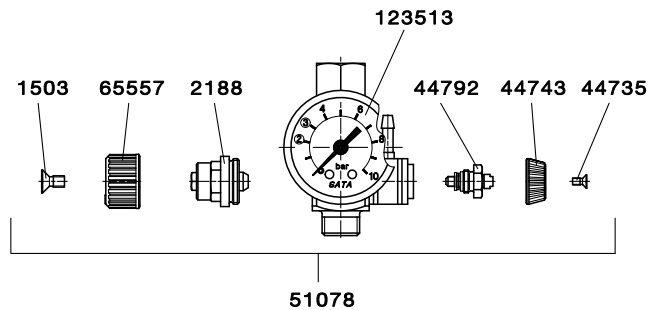
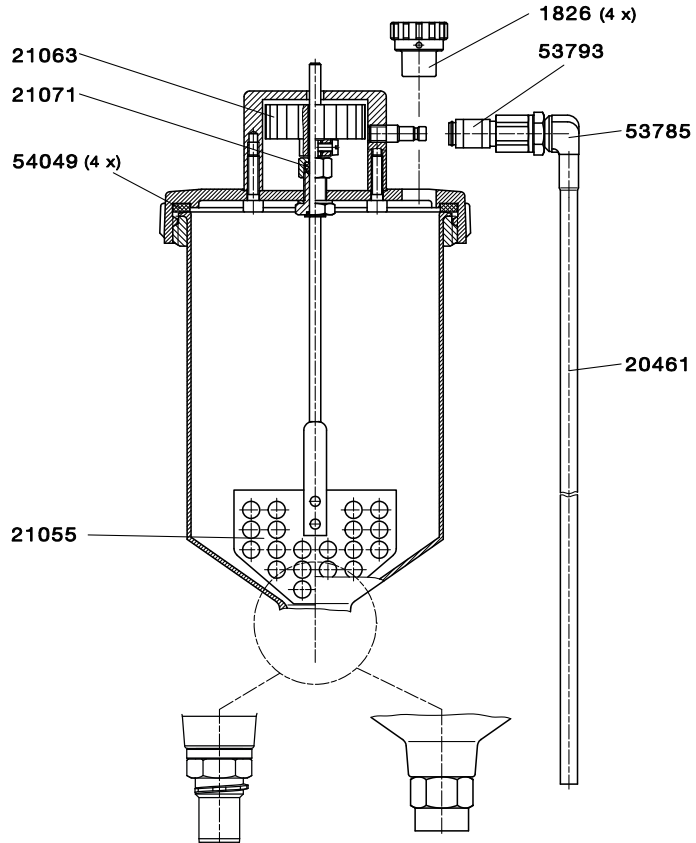
SATA agitator cup, conversion kit for SATAjet 5000 B, 4000 B, jet 3000 B, jet 2000, jet RP, jet 1000 B, LM 2000 B



Spare parts

SATA Agitator cup

1503	Countersunk screw M4 x 8 DIN 965, stainless steel, for micrometer und round/flat spray control
1826	Anti-drip device (packing unit 4 pieces)
2188	Spindle
9951	SATA agitator-cup for SATAjet B and GR/B-92 (supplementary equipment)
20461	Plastic air hose for BVD and agitator cup
21055	Agitating vane, cpl.
21063	Driving wing, cpl. with screw
21071	Gasket agitating vane, agitator cup
29926	SATA agitator cup, conversion kit
44735	Countersunk screw M 2.5 x 5, VA
44743	Control knob
44792	Spindle complete for SATAMinijet
51078	Regulation valve compl. for cup agitator
53785	Angle screw socket, LCN-1/8-PL-4, f. SATA NAD and BVD
53793	Coupling with G 1/8" (female thread)
54049	Sealing ring (packing unit 4 pieces)
65557	Control knob
123513	Pressure gauge 0-10 bar, 40 mm for regulation valve coloured stereotype plate



Errors, technical modifications and printing errors reserved.

SATA BVD

SATA BVD adaptation kit

25775
SATA BVD conversion kit with QCC without fine thread for SATAjet 5000 B, 4000 B, jet 3000 B, jet 2000, jet 1000 B, jet 100 B, jet RP



57505
SATA BVD extension-set for SATAjet B and GR/B-92

73254
Repair kit for control fitting spray master and BVD

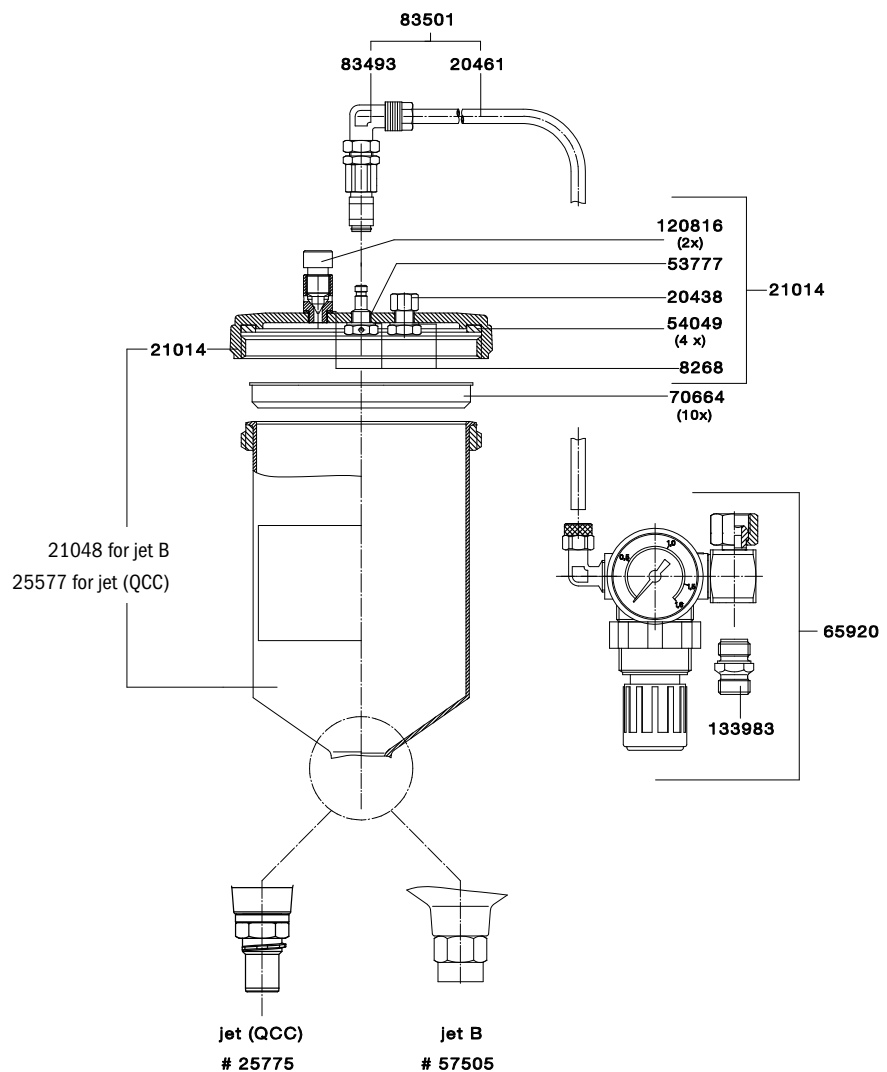
22442
SATAjet B nozzle 1.4E, without cup

Spare parts

SATA® BVD™

8268	Sealing ring
20438	Safety pressure relief valve BVD
20461	Plastic air hose for BVD and agitator cup
21014	Aluminium lid, cpl.
21048	Pressurised cup with lid
25577	Pressurised cup with lid
53777*	Air connection for aluminium lid
54049	Sealing ring (packing unit 4 pieces)
65920	Control fittings, complete, for BVD pressurized cup connection kit (GR and LM)
70664	Anti-drip device (packing unit 10 pieces)
83493	Connection for pressurised cup, cpl.
83501	Air hose cpl. w. pressurized cup connection, for SATA Spray-Master
120816	Pressure release screw (packing unit 2 pieces)
133983	Air connection piece 1/4" male thread

* please also order 8268



SPRAY GUNS

CUP SYSTEMS

BREATHING PROTECTION

FILTER TECHNOLOGY

ACCESSORIES

MERCHANDISING ITEMS

Errors, technical modifications and printing errors reserved.

SATA Loyalty Program

coins & more



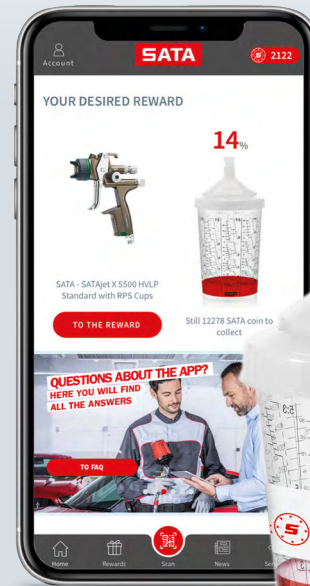
We reward your customers with SATA coins

Purchasing SATA products is twice as rewarding: you can achieve perfect finishes and as a participant in the SATA Loyalty Program coins & more you can collect SATA coins and redeem them for valuable rewards.

Many SATA products are delivered with a QR code of the SATA Loyalty Program coins & more. You can scan the Loyalty QR codes with the SATA Loyalty App to collect SATA coins, which can then be redeemed for valuable rewards in the Loyalty Shop.

Benefit from the SATA customer loyalty program and its advantages:

- High-quality SATA product with bonus thanks to the SATA coins
- Many SATA products with Loyalty QR code to collect SATA coins
- Further options to collect coins in the SATA Loyalty App
- Wide range of rewards including SATA products
- Exclusive rewards and special prices during certain promotional periods



INFORMATION ON THE PROGRAM

www.sata.com/coins-and-more



PRODUCTS WITH LOYALTY QR CODE

www.sata.com/coins-and-more-products



ONLINE REGISTRATION

www.sata.com/coins-and-more-login



Do you still have questions?

If you have any further questions, please do not hesitate to contact the SATA Loyalty Team:
SATA Loyalty Team:
loyalty@sata.com

Thank you for your support!
Your SATA Loyalty Team

Breathing Protection

SPRAY GUNS

CUP SYSTEMS

BREATHING PROTECTION

FILTER TECHNOLOGY

ACCESSORIES

MERCHANDISING ITEMS



Hood cloth
Breathable, solvent-resistant, lint-free and flame retardant. Quick exchange due to velcro attachment system.

Hood
With rigid skull cover providing impact protection while working in confined areas.

Comfort head band
To ensure highest hygiene standards. Made of microfibre velour, dermatologically tested; can be exchanged within a few seconds only; includes foam insert for enhanced wearer comfort.

Headband
Can be adjusted at 4 different points ensuring perfect fit.

SATA CCS discs
Allows the convenient individual identification to avoid confusion; available in 4 colours.

Visor
With large field of vision

Locking/pivot control
Allows easy visor location.

Special single visor foil
To prevent reflections and distortions ensuring unrestricted view; quick and easy to change.

Facial seals
Follows facial contours ensuring optimum seal and comfort. Low reflection due to dark colour.




Plug-in diffuser
optional accessory – to avoid uncomfortable air flow.

Breathing air hose
for fresh air supply. Hose guide on the rear for maximum comfort.

Acoustic warning signal
Instant indication of insufficient air supply.

Diffusor block
Breathing air distribution reduces the noise level to 64 dB(A) at 36.0 psi inlet pressure.

Errors, technical modifications and printing errors reserved.

Respirator type	Fields of application/function	
	SATA air vision 5000 88 – 93	Ergonomically shaped (pressure fed) respirator hood independent from ambient air . Protects the entire head during work.
	SATA vision 2000 94 – 97	Full face respirator protects the head incl. hair and neck / independent from ambient air (air supplied).
	SATA air star C 98 – 101	Half mask protects mouth and nose / independent from ambient air (air supplied). Protective goggles are recommended.

Breathing Protection without Activated Charcoal Belt Unit

SPRAY GUNS

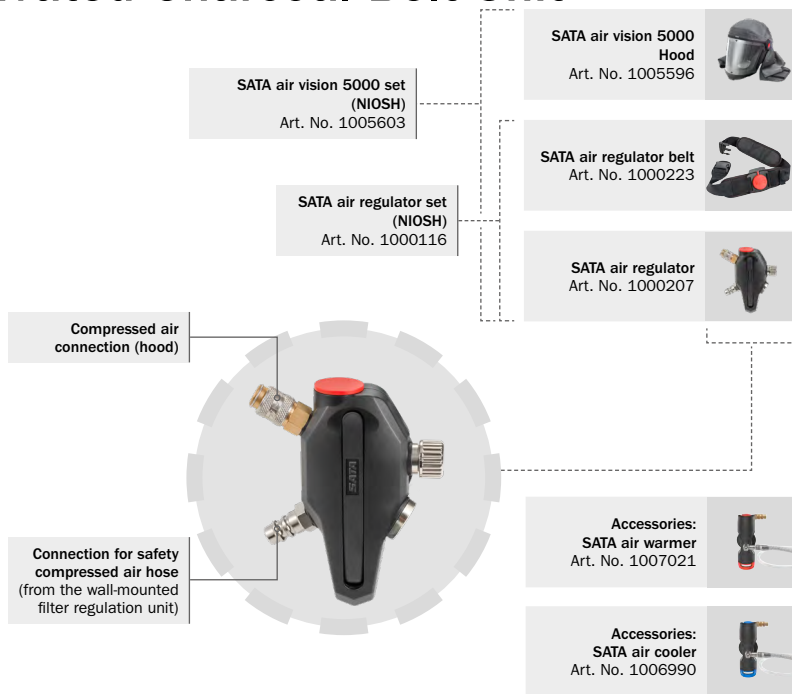
CUP SYSTEMS

BREATHING PROTECTION

FILTER TECHNOLOGY

ACCESSORIES

MERCHANDISING ITEMS



Recommended accessories

1007021

SATA air warmer, incl. adapter plate and hip pad (NIOSH)



1006990

SATA air cooler incl. adapter plate and hip pad (NIOSH)



With nipple and quick connect coupler (brass) sealed with Loctite

Breathing hose 3/8" x 25 ft Art. No. 679025

Breathing hose 3/8" x 35 ft Art. No. 679035

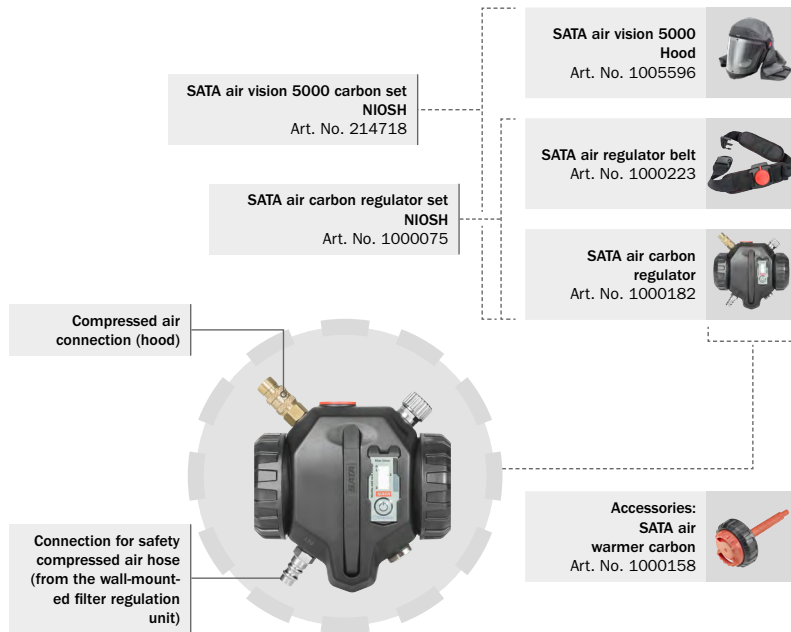
Breathing hose 3/8" x 50 ft Art. No. 679050



Compressed air-supplied respirator hood to combine with triple-stage compressed air filters, e.g. SATA filter 584 with integrated activated charcoal filter stage.

Errors, technical modifications and printing errors reserved.

Breathing Protection with Activated Charcoal Belt Unit



Recommended accessories

100158
SATA air warmer carbon for SATA air carbon regulator
Multi-stage adjustable breathing air warmer



1007021
SATA air warmer, incl. adapter plate and hip pad (NIOSH)



1006990
SATA air cooler incl. adapter plate and hip pad (NIOSH)



With nipple and quick connect coupler (brass) sealed with Loctite
Breathing hose 3/8" x 25 ft Art. No. 679025
Breathing hose 3/8" x 35 ft Art. No. 679035
Breathing hose 3/8" x 50 ft Art. No. 679050



1115189
Activated charcoal filter with two caps for SATA air carbon regulator



Compressed air-supplied respirator hood to combine with double-stage compressed air filters fixed to the wall, e.g. SATA filter 544 without integrated activated charcoal filter stage.



SATA air vision 5000 NIOSH

Technical data:

Required operating pressure without
spray gun: 35 psi - 44 psi

Required operating pressure with
spray gun (in connection with a 1.2
m spray gun air hose): 58 psi - 87 psi

Maximum operating pressure: 145 psi

Required minimum air volume flow: 5.3 cfm

Maximum air volume flow (at 87 psi,
air distributor fully opened): 26.1 cfm



Available versions

1005603

SATA air vision 5000 set (NIOSH)
Version **without** activated charcoal adsorber



1005596

SATA air vision 5000 respirator hood with pressure gauge (NIOSH)



214718

SATA air vision 5000 carbon set (NIOSH)
Version **with** activated charcoal adsorber



1000207

SATA air regulator (NIOSH) for SATA air vision 5000



1000116

SATA air regulator set (NIOSH)



1000223

SATA air regulator belt (NIOSH)



1000075

SATA air carbon regulator set (NIOSH) for SATA air vision 5000



Available versions

1000158

SATA air warmer carbon (NIOSH) for SATA air carbon regulator



1000182

SATA air carbon regulator (NIOSH) for SATA air vision 5000



1007021

SATA air warmer, incl. adapter plate and hip pad (NIOSH) for SATA air vision 5000



1006990

SATA air cooler incl. adapter plate and hip pad (NIOSH) for SATA air vision 5000



Accessories

No nipple or quick connector

669025

Breathing hose 3/8" x 25 ft

669035

Breathing hose 3/8" x 35 ft

669050

Breathing hose 3/8" x 50 ft

With nipple and quick connect coupler (brass) sealed with Loctite

679025

Breathing hose 3/8" x 25 ft

679035

Breathing hose 3/8" x 35 ft

679050

Breathing hose 3/8" x 50 ft



1115189

Activated charcoal filter #218206 incl. 2 filter caps for SATA air carbon regulator

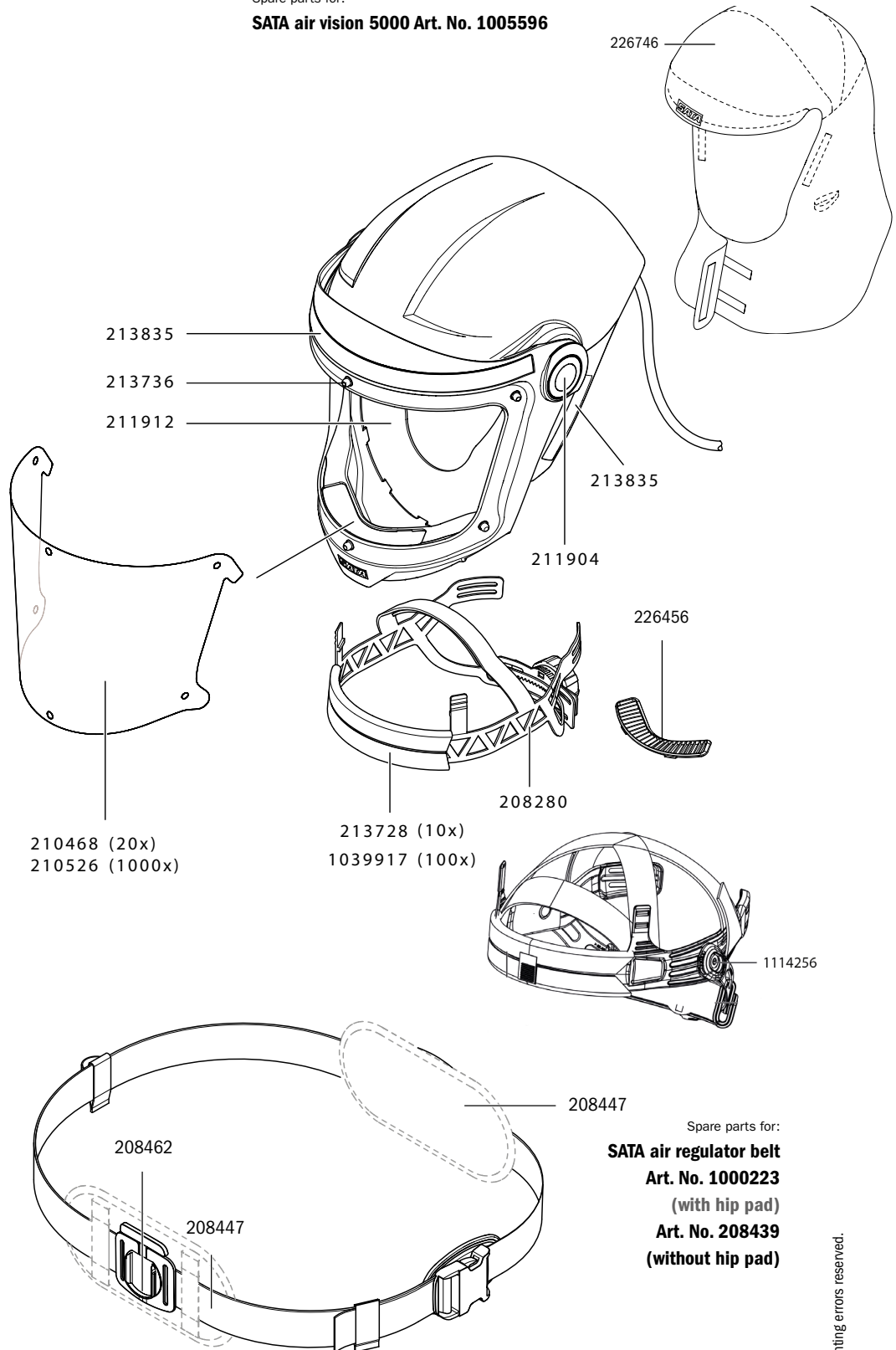


Spare parts
SATA air vision
5000

53942	Nipple G 1/4 f. GS respirator, UBE + blow-off gun, size 14
208280	Head fixation cpl.
208447	Hip pad (packing unit 1 piece)
208462	Adapter plate
210468	Visor foil, 6 perforations (packing unit 20 pieces)
210526	Visor foil, 6 perforations (packing unit 1000 pieces)
211904	CCS disc (packing unit 4 pieces)
211912	Hygiene insert (packing unit 20 pieces)
213728	Comfort band (packing unit 10 pieces)
213736	Visor bolt (packing unit 6 pieces)
213835	Hook-and-loop tape long (packing unit 1 piece) and short (packing unit 2 pieces), adhesive on one side
213751	Hood holder for SATA air regulator
216473	Safety quick coupling for SATA air regulator and SATA air carbon regulator
226456	Plug-in diffuser
226621	Humidifier kit consisting of humidifier module, lid seal and SATA filter timer
226746	Hood cloth, dark grey
1014240	Air hose cpl. for SATA air warmer / air cooler
1039917	Comfort head band (packing unit 100 pieces)
1066415	Control knob, cpl.
1076521	Cylinder screw
1076589	Air hose cpl. for SATA air humidifier
1076612	Container for SATA air humidifier
1076620	Lid for SATA air humidifier
1076638	Safety band for bayonet lock for SATA air humidifier
1076662	Pressure relief valve, cpl. for SATA air humidifier
1076688	Threaded elbow joint, swiveling
1076703	Safety and quick coupling with free passage
1114256	Head fixation 2.0, more flexible for added comfort
1115189	Activated charcoal filter #218206 incl. 2 filter caps for SATA air carbon regulator

Spare parts for:

SATA air vision 5000 Art. No. 1005596



226746

213835

213736

211912

213835

211904

226456

208280

210468 (20x)

210526 (1000x)

213728 (10x)

1039917 (100x)

1114256

208447

208462

208447

Spare parts for:

SATA air regulator belt

Art. No. 1000223

(with hip pad)

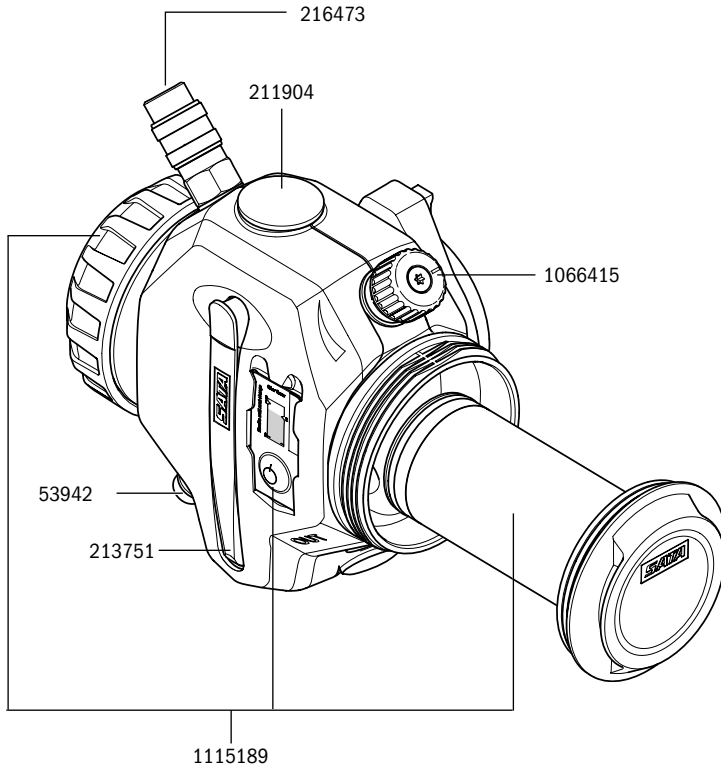
Art. No. 208439

(without hip pad)

Errors, technical modifications and printing errors reserved.

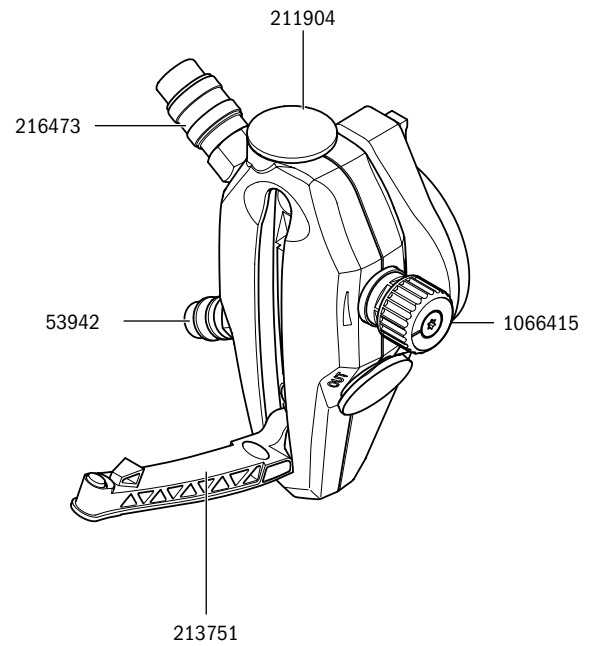
Spare parts for:

SATA air carbon regulator Art. No. 1000182



Spare parts for:

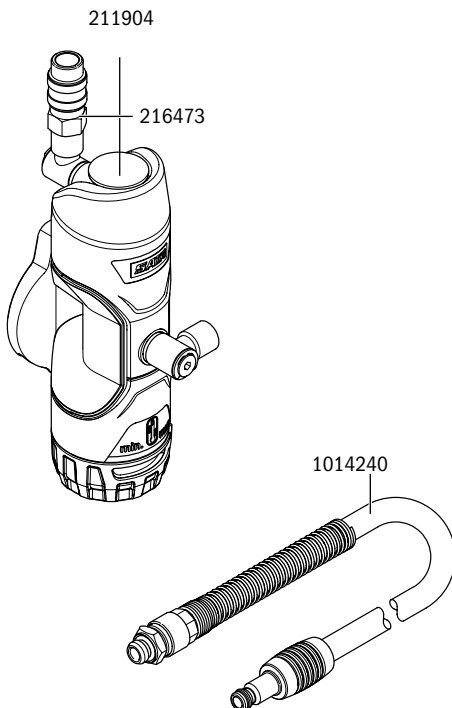
SATA air regulator Art. No. 1000207



Spare parts for:

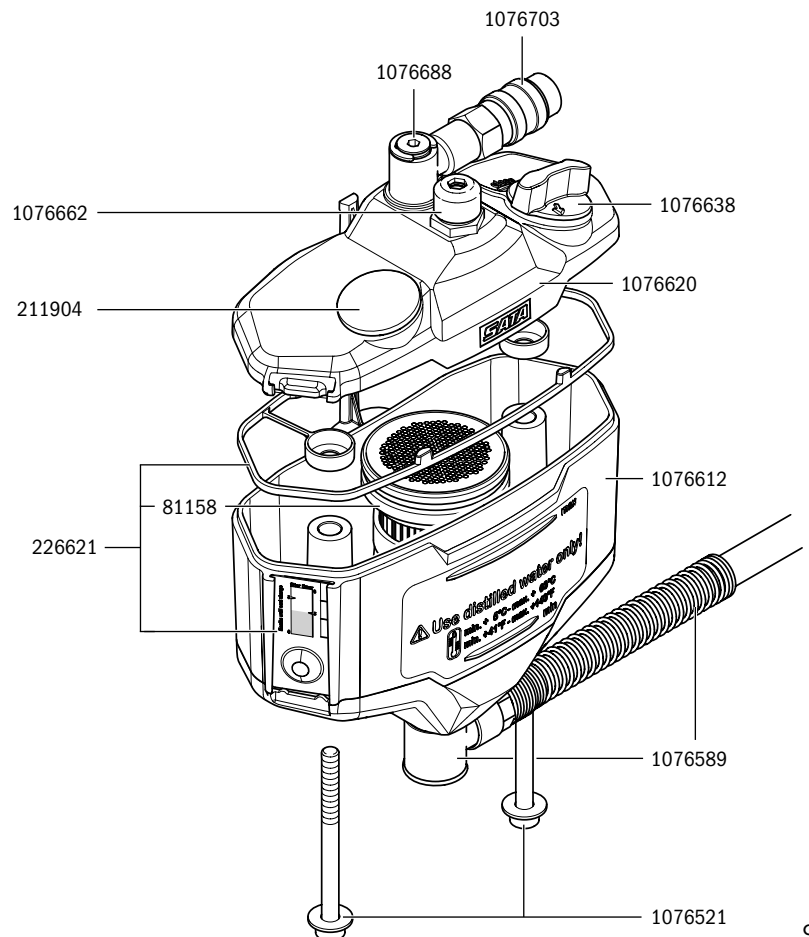
SATA air warmer Art. No. 1007021

SATA air cooler Art. No. 1006990



Spare parts for:

SATA air humidifier Art. No. 1000314



SATA vision 2000 with Activated Charcoal Belt Unit

Technical data:

Required operating pressure:	60 - 90 psi
Air consumption:	6.3 - 11.3 cfm



Available versions

36384



The vision 2000 hood with SATA activated charcoal filter

Vision 200 hood is a type C continuous flow supplied air respirator with full face shield. It is very comfortable to wear with an adjustable headband. Painters with reasonable beard length, mustaches or eyeglasses will appreciate the full hood protection with wide field of vision and single pane, non-glare anti-static visor. The hood is hygienic due to easily replaced linings and sweatband. It also features a tip-up visor making it unnecessary for the painter to remove the hood between coatings.

NIOSH Approved



51854

SATA vision 2000 full hood respirator and full neck shield.



37200

SATA activated charcoal absorber belt unit is an auxiliary filter. Breathing air is filtered through activated charcoal. The activated charcoal purifies the air and removes any odor or hydrocarbon vapor. Airflow is regulated with a throttle valve. An airflow gauge is mounted on the belt unit to visually monitor correct airflow setting.



67595

SATA full hood respirator CE, head cloth and full neck shield

The SATA hood is suitable for use when curing UV primers and clear coats which requires additional protection against UV light. Protects against UV light sources emitting wave lengths below 380 nm.



► Accessories for SATA vision 2000, SATA air star C see page 102.

Spare parts
SATA vision 2000

10330
Sweat band, artificial leather, pk of 10

13854
Air silencer

21840
Visor pins, pk of 6

27821
Headband adjusting nut

30270
Hose clamp

35659
Visor tear off sheet, pk of 5

35675
Visor tear off sheet, pk of 25

36301
Visor tear off sheet, pk of 1000

51854
vision 2000 hood, complete

56184
Foam sleeve, only

56192
Air hose with foam sleeve

60541
Hood/chest cloth, gray, anti-static

61226
Headband, natural sheep leather, ea.

69658
Black lining, pk of 20

75358
SATA hood cleaner, pk of 10

76299
Headband foam strip, w/adhesive

82594
Head piece with velcro

89243
Adjusting assembly, headband

89250
Headband, complete

89268
Nut assembly, headband

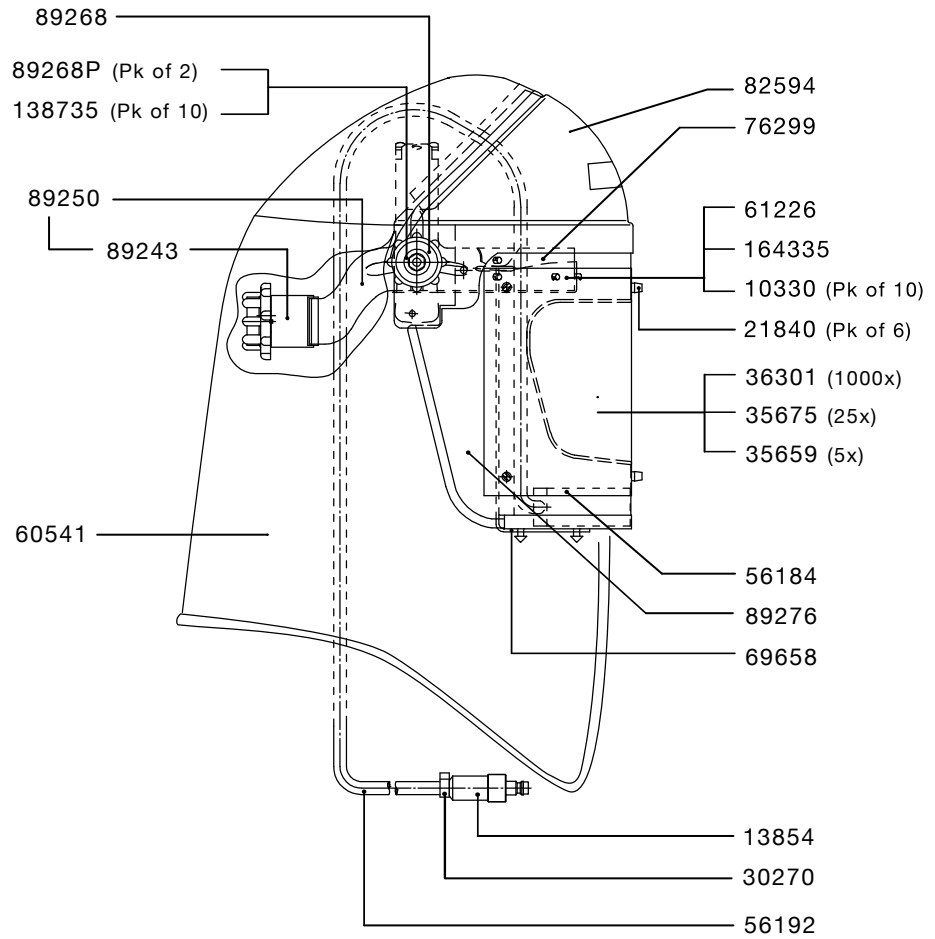
89268P
Pivot, headband adjusting, pk of 2

89276
Visor frame, complete

121038
Air hose, w/acoustic warning device

138735
Pivot, headband adjusting, pk of 10

164335
Sweat band, natural calf leather



Spare parts
Charcoal Belt unit

13904
Charcoal filter cartridge

13920
Waist belt only, no cushion

15412
Belt unit support straps

22947
O ring, housing

25171
Regulating valve, vision 2000

37200
Belt unit, complete vision 2000

37523
Gauge, vision 2000

49726
Protective filter cover

51110
T-Connection Kit, charcoal belt unit

51656
T-Connection only, charcoal belt unit

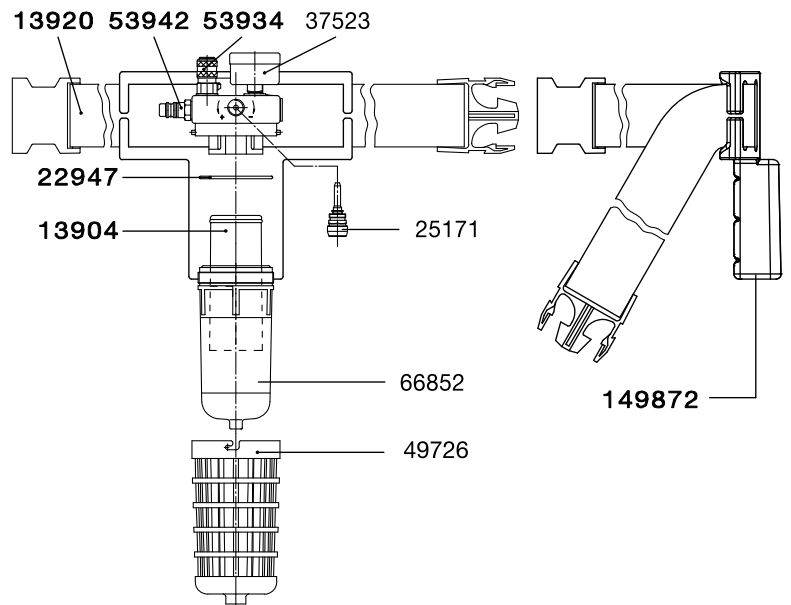
53934
Quick coupling

53942
Nipple

66852
Filter cover

149872
Belt cushion only

Charcoal Belt Unit, vision 2000
Art. No. 37200



SATA vision 2000 with Industrial Belt Valve

Technical data:

Required operating pressure:	60 - 90 psi
Air consumption:	6.3 - 11.3 cfm



Available versions

60707



The SATA vision 2000 hood and SATA industrial belt valve.

The SATA vision 2000 is a type C continuous flow supplied air respirator with full face shield. It is very comfortable to wear with an adjustable headband. Painters with reasonable beard length, mustaches or eyeglasses will appreciate the full hood protection with wide field of vision and single pane, non-glare anti-static visor. The hood is hygienic due to easily replaced linings and sweatband. It also features a tip-up visor making it unnecessary for the painter to remove the hood between coatings.

NIOSH Approved



51854

SATA vision 2000 full hood respirator only.

The SATA vision 2000 is a type C continuous flow supplied air respirator with full face shield. It is very comfortable to wear with an adjustable headband. Painters with reasonable beard length, mustaches or eyeglasses will appreciate the full hood protection with wide field of vision and single pane, non-glare anti-static visor. The hood is hygienic due to easily replaced linings and sweatband. It also features a tip-up visor making it unnecessary for the painter to remove the hood between coatings.



61002

SATA industrial belt valve for full hood

The SATA industrial belt valve is to be used in conjunction with a triple stage filter with an activated charcoal filter,
eg: SATA 484 Triple stage filter



67595

SATA full hood respirator CE, head cloth and full neck shield

The SATA hood is suitable for use when curing UV primers and clear coats which requires additional protection against UV light. The SATA hood, Art. No. 67595, is designed to protect against UV light sources emitting wave lengths below 380 nm,



■ Accessories for SATA vision 2000, SATA air star C see page 102.

Spare parts
SATA vision 2000

10330
Sweat band, artificial leather, pk of 10

13854
Air silencer

21840
Visor pins, pk of 6

27821
Headband adjusting nut

30270
Hose clamp

35659
Visor tear off sheet, pk of 5

35675
Visor tear off sheet, pk of 25

36301
Visor tear off sheet, pk of 1000

51854
vision 2000 hood, complete

56184
Foam sleeve, only

56192
Air hose with foam sleeve

60541
Hood/chest cloth, gray, anti-static

61226
Headband, natural sheep leather, ea.

69658
Black lining, pk of 20

75358
SATA hood cleaner, pk of 10

76299
Headband foam strip, w/adhesive

82594
Head piece with velcro

89243
Adjusting assembly, headband

89250
Headband, complete

89268
Nut assembly, headband

89268P
Pivot, headband adjusting, pk of 2

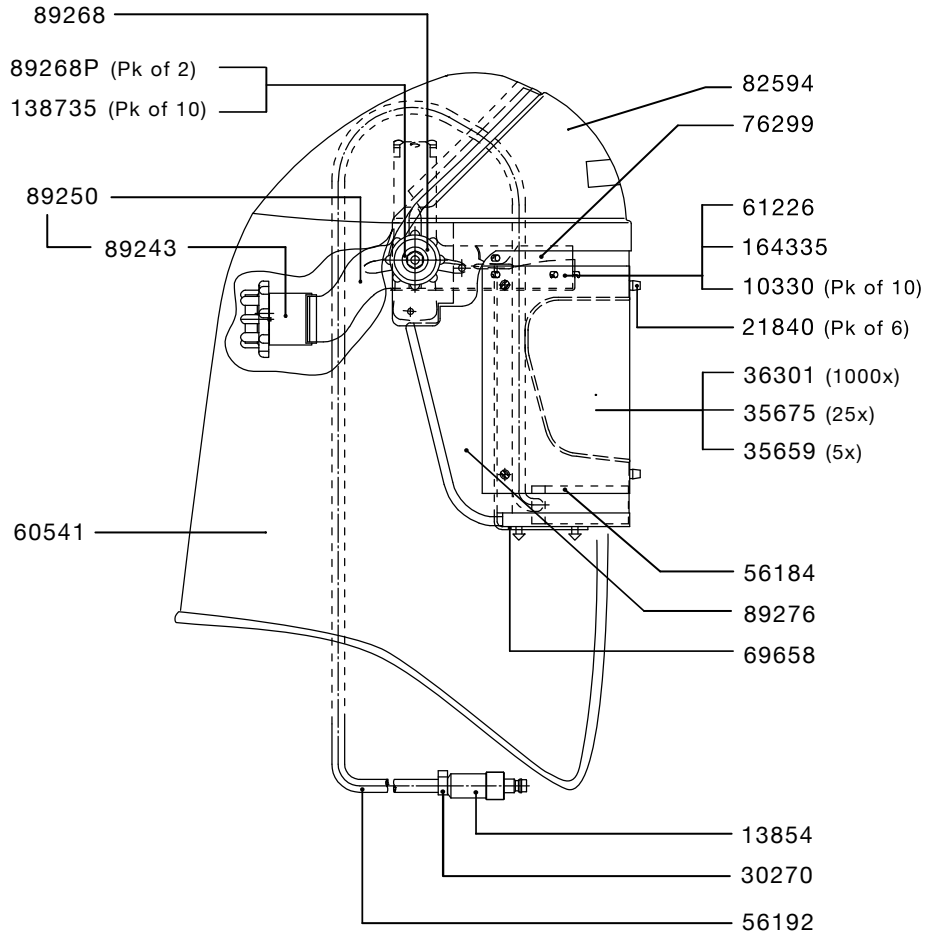
89276
Visor frame, complete

121038
Air hose, w/acoustic warning device

138735
Pivot, headband adjusting, pk of 10

164335
Sweat band, natural calf leather

vision 2000
Art. No. 51854



Spare parts
Industrial belt valve

1503
Air control screw

13656
Female threaded nipple

13920
Waist belt

51110
T-Connection Kit, charcoal belt unit

53934
Quick coupling

54221
Fan control

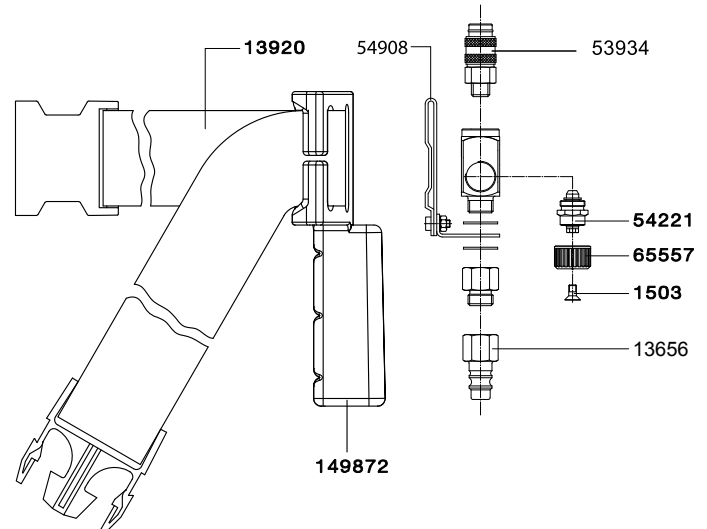
54908
L Bracket

61002
Belt valve complete, vision 2000

65557
Knob, fan control

149872
Belt cushion only

Industrial belt valve
Art. No. 61002



SATA air star C with Activated Charcoal Belt Unit

Technical data:

Required minimum operating pressure:	60 - 90 psi
Air consumption:	5.6 - 13.4 cfm



Available versions

137547

SATA respirator kit: SATA air star C and belt unit with activated charcoal filter and air regulation valve

Version **with** activated charcoal belt unit

The SATA air star C is a ventilated half-mask with adjustable continuous fresh-air supply. Body of mask made of natural rubber with anatomic formed sealing frame and matching nose seating. Built in exhausting valve. The SATA air star C half mask provides excellent vision with no internal heat buildup or moisture. The SATA air star C half mask offers a perfect face fit with four-point fixed head straps for seating the mask safely. Painters should bear in mind that half masks do not provide complete protection from dangerous Isocyanates that can be absorbed through the eyes and facial skin.

NIOSH Approved



137588

SATA air star C half mask with breathing hose, without filter



55798

Belt unit with activated charcoal adsorber and air regulation valve for SATA air star C

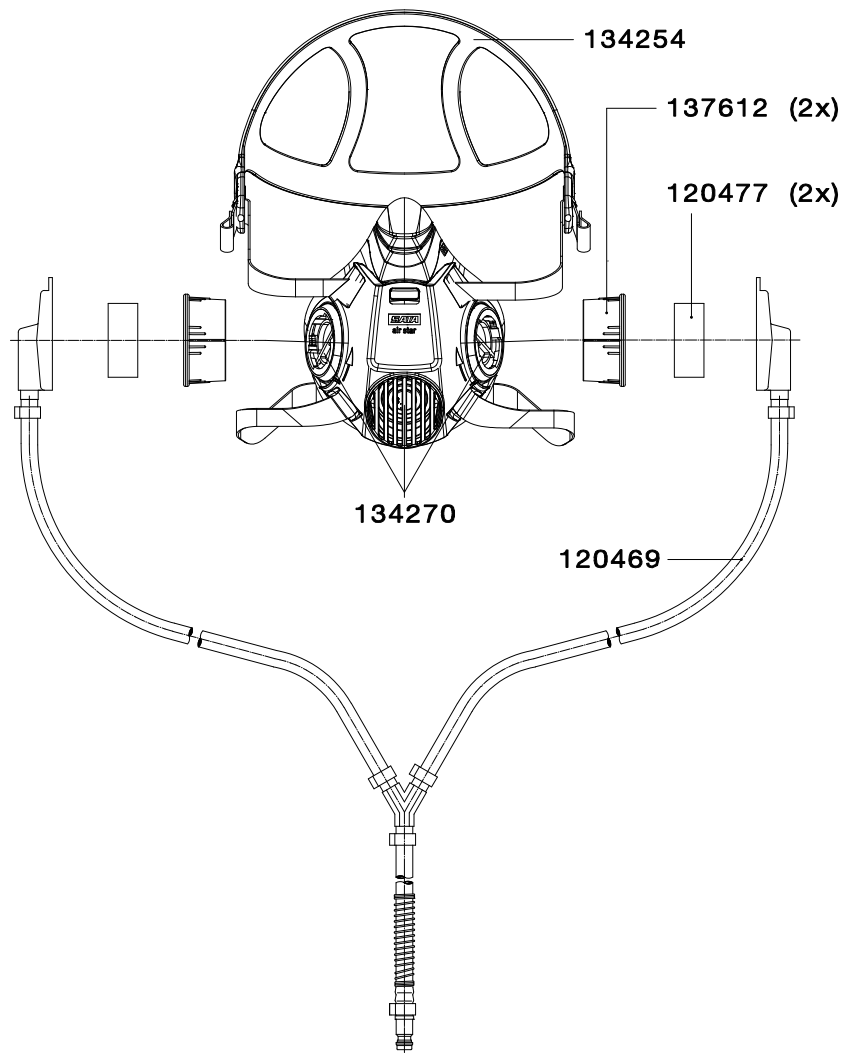


▶ Accessories for SATA vision 2000, SATA air star C see page 102.

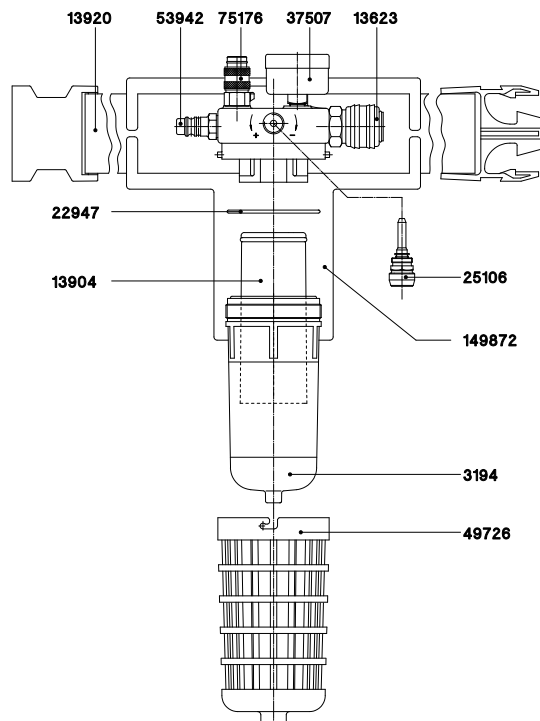
Spare parts

SATA air star C

3194	Adsorber glass
13623	SATA quick coupling 1/4" (male thread)
13904	Activated charcoal cartridge
22947	O-ring
25106	Spindle, complete, for adsorber (CE) of half mask + full face respirator
37507	Gauge unit, complete half mask
49726	Protective cage f. respirator filter unit
53942	Nipple G 1/4 f. GS respirator, UBE + blow-off gun, size 14
75176	Safety quick closure coupling NW 5, type 21, for adsorber of half mask respirator, version GS
120469	Breathing air hose, cpl.
120477	Air distributor (packing unit 2 pieces)
134254	Head strap with fixing unit and yoke for SATA air star C
134270	Inhalation and exhalation diaphragms (packing unit 5 pieces or 10 pieces, resp.)
137612	Connection (packing unit 2 pieces)
149872	Belt cushion



Spare parts for:
Belt unit Art. No. 55798



SATA air star C with Industrial Belt Valve

Technical data:

Required minimum operating pressure:	60 - 90 psi
Air consumption:	4.4 - 12.7 cfm



Available versions

137570



The SATA air star C is a NIOSH approved ventilated half-mask with adjustable continuous fresh-air supply. Body of mask made of natural rubber with anatomic formed sealing frame and matching nose seating. Built in exhausting valve. The SATA air star C half mask provides excellent vision with no internal heat buildup or moisture. The SATA air star C half mask offers a perfect face fit with four-point fixed head straps for seating the mask safely. Painters should bear in mind that half masks do not provide complete protection from dangerous Isocyanates that can be absorbed through the eyes and facial skin.

SATA air star C does not need to be form fit.

NIOSH Approved



137588

SATA air star C half mask with breathing hose, without filter



61002

SATA industrial belt valve for half mask

The SATA industrial belt valve is to be used in conjunction with a triple stage filter with an activated charcoal filter, eg: SATA 484 Triple stage filter



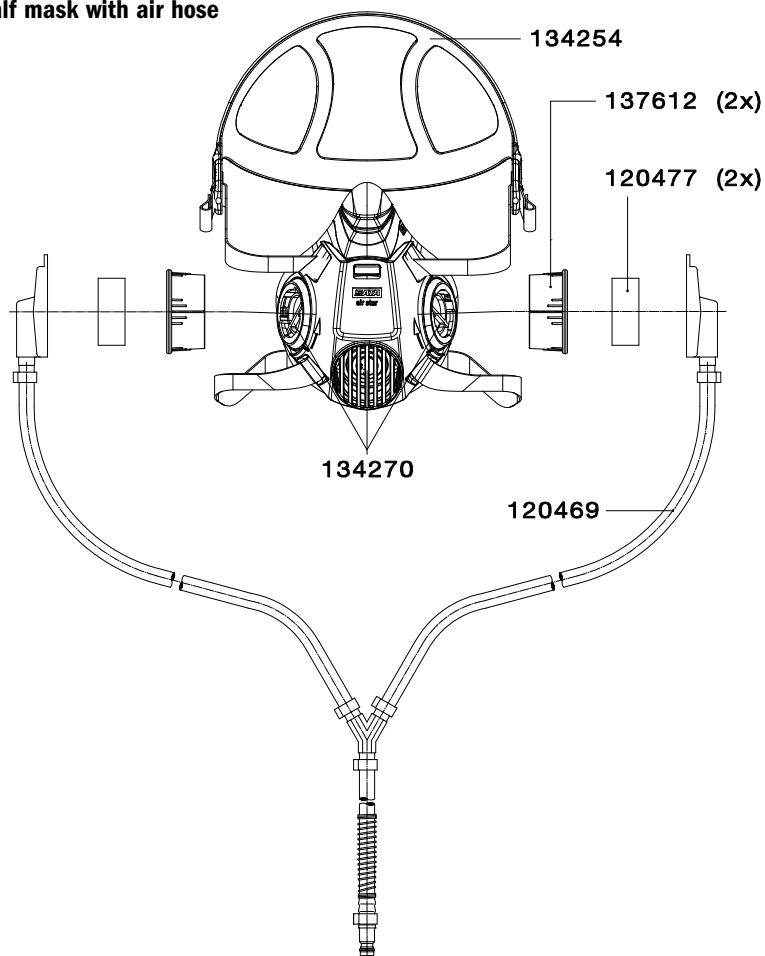
▶ Accessories for SATA vision 2000, SATA air star C see page 102.

Spare parts

SATA air star C

120469	Hose assembly, complete
120477	Air distribution foam, pack of 2
134254	Head straps
134270	5-pk exhalation diaphragms + 10-pk inhalation diaphragms
137612	2-pk connections

SATA air star C half mask with air hose
Art. No. 137588

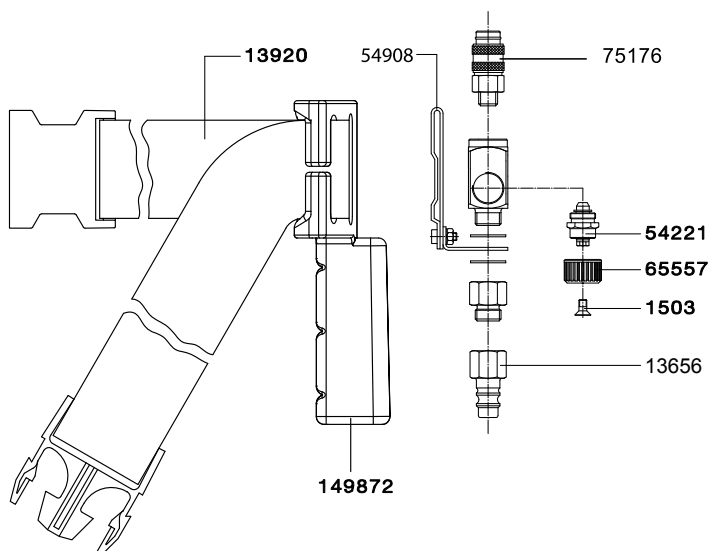


Spare parts

Industrial belt valve

1503	Air control screw
13656	Female threaded nipple
13920	Waist belt
51110	T fitting, (supplied separately)
53934	Nipple, 1/4 male
54221	Fan control
54908	L Bracket
65557	Knob, fan control
138362	Belt valve complete, half mask
149872	Belt cushion only, foam



Industrial belt valve
Art. No. 61002






Errors, technical modifications and printing errors reserved.

Accessories for SATA vision 2000/SATA air star C


Accessories and air hoses

13904	Activated charcoal cartridge for SATA activated charcoal adsorber	
15412	Suspender belt for SATA belt units SATA air star C und SATA air vision 5000vision 2000	



Breathing air humidifier and breathing air warmer

89086	SATA top air breathing air humidifier	
61242	Air warmer w. micrometer for SATA respirators	
81158	Humidifier module cpl. for SATA top air and SATA air humidifier	

Cleaning cloths

75358	SATA wet & dry cleaner (packing unit 10 pieces)	
-------	---	--

Head covers for SATA vision 2000

60541	Head / chest scarf, grey, over hood for SATA vision 2000	
56762	Grey head cloth w. chest cover for respirators	
35659	Tear off visor sheets, vision 2000, pack of 5	
35675	Tear off visor sheets, vision 2000, pack of 25	
35100	Tear off visor sheets, vision 2000, pack of 100	
36301	Tear off visor sheets, vision 2000, pack of 1000	
10330	Head band lining, artificial leather, vision 2000, pack of 10	
61226	Head band lining, natural leather (sheep), vision 2000	
164335	Head band lining, natural leather (calf), vision 2000	
	Breathing Hoses available lengths 10-100 ft. See page 136	

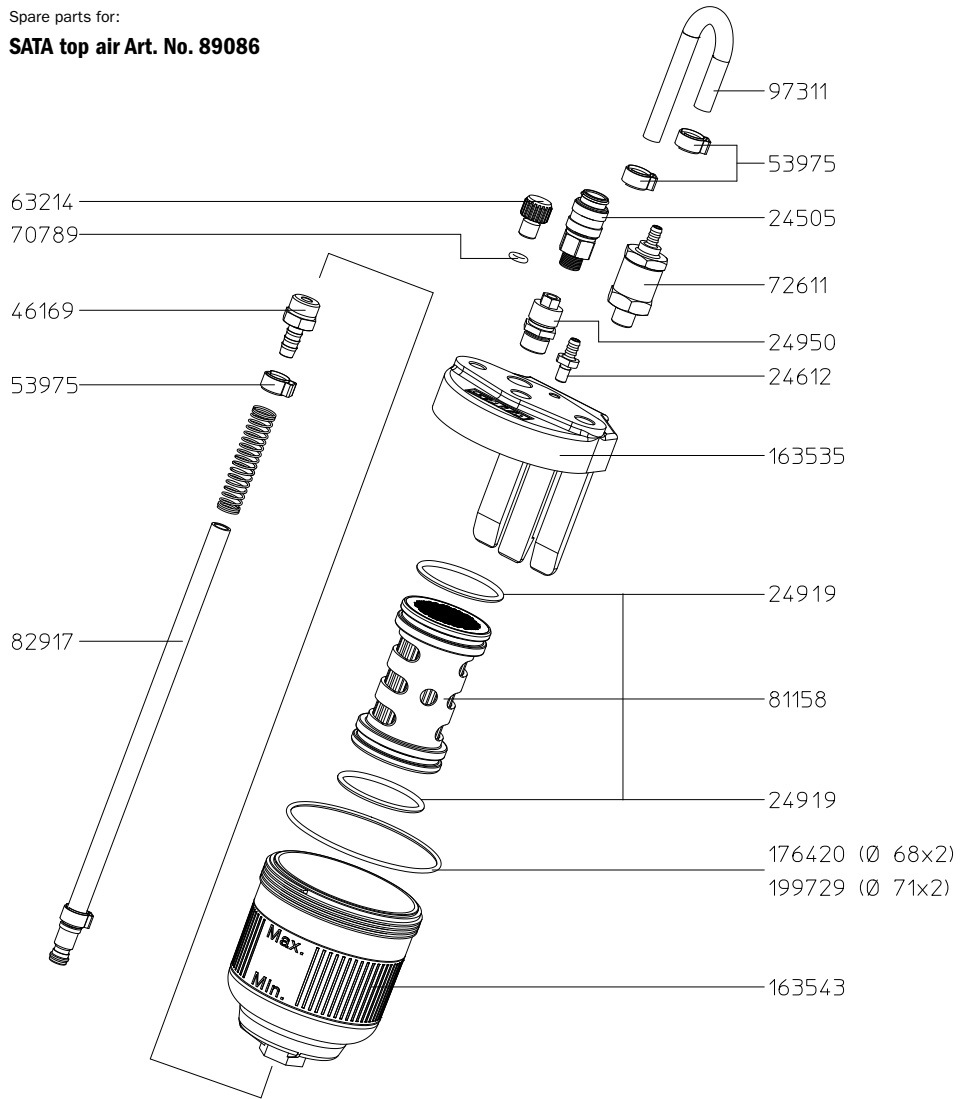
69658	Hood inlay, black (20 pieces)	
-------	-------------------------------	---

Spare parts

SATA top air

24505	Safety quick closure coupling, free passage, for SATA top-air
24612	Nipple
24919	O-ring
24950	Safety valve, complete, for SATA top-air
46169	Plug-in nipple for SATA top-air
53975	Hose clamp 10.5 GER
63214	Closing screw for SATA top-air
70789	O-ring 5 x 2 mm, ethylene-propylene, for control piston SATA LP90
72611	Valve, complete, for SATA top-air
81158	Humidifier module cpl.
82917	Breathing air hose, cpl.
97311	PVC hose 4 x 2 mm x 110 mm
163535	Holder
163543	Container with acme thread
176420	O-ring 68 x 2.0 NBR for SATA top air (until July 2013)
199729	O-Ring for SATA top air (as of July 2013)

Spare parts for:
SATA top air Art. No. 89086

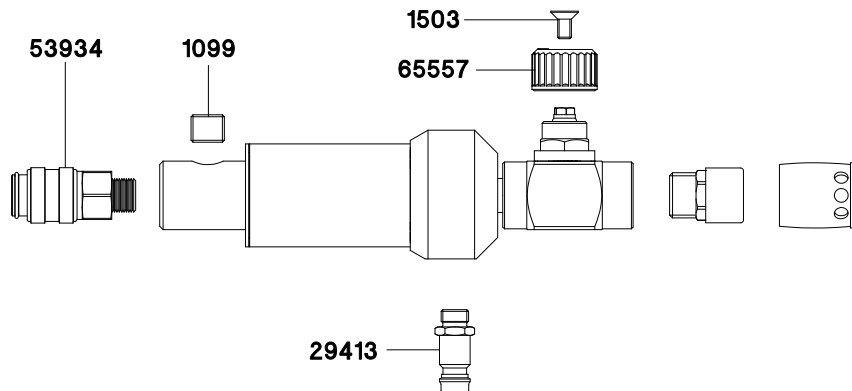


Spare parts

SATA air warmer

1099	Closing screw DIN 906 G 1/8-ST., nickel-plated
1503	Countersunk screw M4 x 8 DIN 965, stainless steel, for micrometer und round/flat spray control
29413	Nipple
53934	Safety quick coupling for SATA full face respirator
65557	Control knob

Spare parts for:
SATA air warmer Art. No. 61242



Filter Technology

SPRAY GUNS

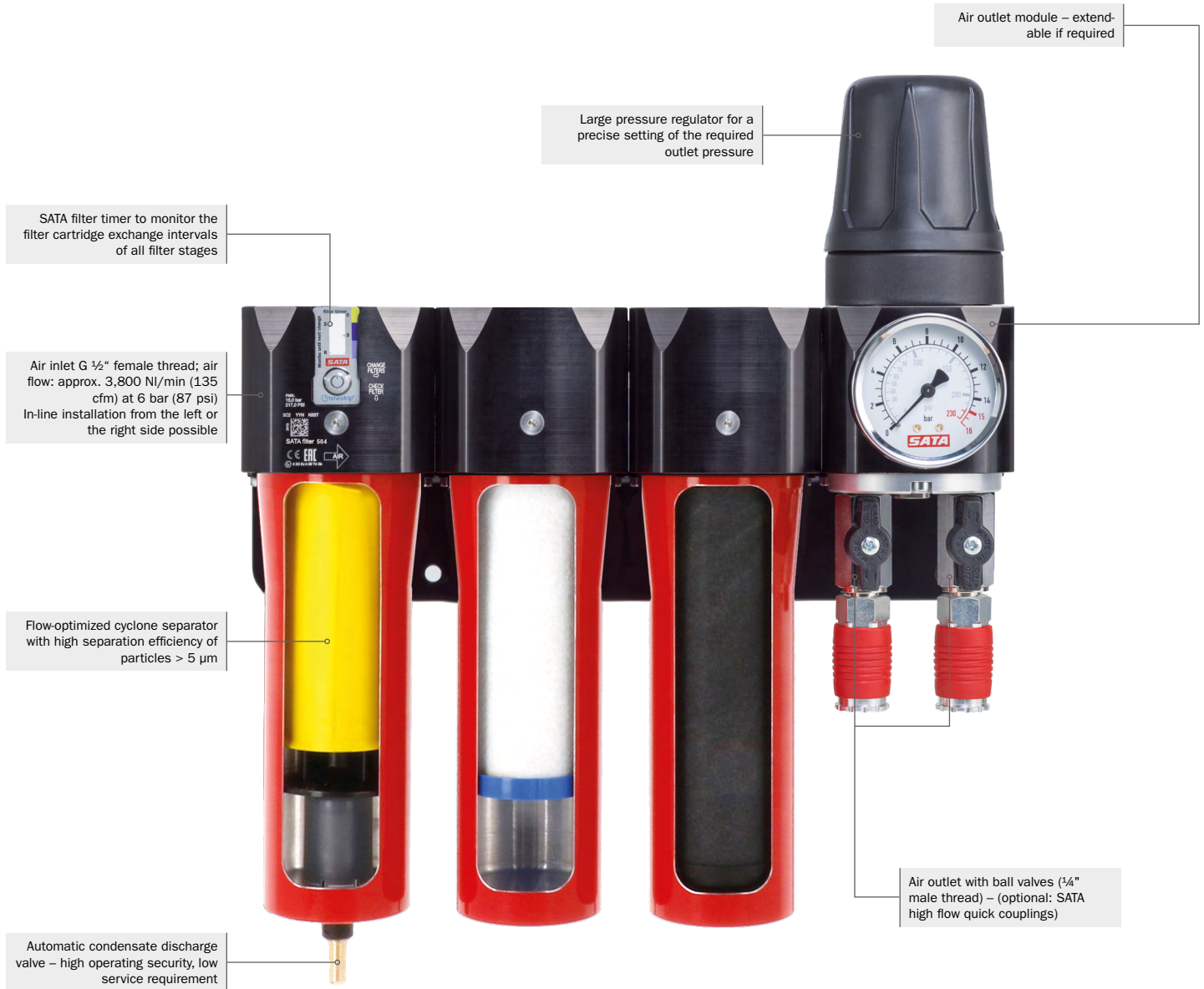
CUP SYSTEMS

BREATHING PROTECTION

FILTER TECHNOLOGY

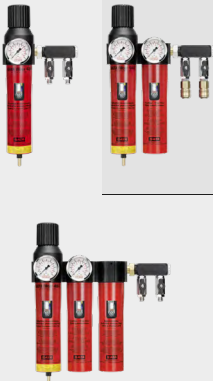


ACCESSORIES

MERCHANDISING ITEMS



- | | | |
|---|--|--|
| <p>Filter stage 1:</p> <ul style="list-style-type: none"> ▪ Sintered filter to separate particles > 5 µm ▪ Cleaning and exchange interval: 6 months | <p>Filter stage 2:</p> <ul style="list-style-type: none"> ▪ Fine filter cartridge to separate particles > 0.01 µm ▪ Separation efficiency: 99.998 % ▪ Exchange interval: 6 months | <p>Filter stage 3:</p> <ul style="list-style-type: none"> ▪ Sintered activated charcoal cartridge with higher separation efficiency of oil vapours ▪ Suitable for the use of compressed air-supplied breathing masks ▪ Exchange interval: 6 months |
|---|--|--|

Errors, technical modifications and printing errors reserved.

Filter type	Fields of application/function	
 <p data-bbox="360 268 623 449"> SATA filter 414 / 424 / 434 / 444 / 464 / 474 / 484 106 – 109 </p>	<p data-bbox="691 268 1044 298">Filter units for the use in paint booths</p> <ul data-bbox="691 306 1468 487" style="list-style-type: none"> • Ambient temperature: up to max. 120 °C, up to max. 60 °C when using activated charcoal (third stage) • modular structure of up to 3 filter stages incl. activated charcoal filter • meeting highest requirements for high-grade compressed air (100 % technically clean air) • Air flow: approx. 127.1 cfm at 87 psi 	
 <p data-bbox="360 709 623 848"> SATA filter 222 / 224 / 244 / 284 110 - 112 </p>	<p data-bbox="691 709 1044 739">Filter units for the use in paint booths</p> <ul data-bbox="691 747 1468 890" style="list-style-type: none"> • Modular structure of up to 3 filter stages incl. activated charcoal filter • Ambient temperature: up to max 120 °C, or up to max 140 °F when using activated charcoal (3 stage) • Meets requirements for high-grade compressed air (100 % technically clean air) • Air flow: 72 cfm at 90 psi 	
 <p data-bbox="360 932 623 1121"> NEW SATA filter 524 / 544 / 564 / 584 113 – 115 </p>	<p data-bbox="691 928 1044 957">Filter units for the use in paint booths</p> <ul data-bbox="691 961 1468 1146" style="list-style-type: none"> • Ambient temperature: up to max. 120 °C, up to max. 60 °C when using activated charcoal (third stage) • modular structure of up to 3 filter stages incl. activated charcoal filter • meeting highest requirements for high-grade compressed air (100 % technically clean air) • Air flow: approx. 135 cfm at 87 psi 	

SATA filter

414/424/434/464

Technical data:

Air inlet: G 1/2" female thread

Air outlet: 1/4"
male thread

Max. inlet operating pressure: 218 psi

Max. outlet operating pressure: 145 psi

Air flow at 87 psi: 127.1 cfm

Max. ambient temperature: 120 °C

Max. ambient temperature with activated
charcoal: 60 °C



Pressure regulator/water separator

92288

SATA pressure reducer 420 with gauge 0-10 bar, air inlet and outlet G 1/2" (female thread)



92213

SATA filter 414 single-stage sinter filter without pressure regulator, with outlet module (2 x 1/4" male thread)



92254

SATA filter 414 L single-stage sinter filter without pressure regulator, for pipeline installation (G 1/2" female thread)



92221

SATA filter 424 single-stage sinter filter, pressure regulator, outlet module (2 x 1/4" male thread)



92262

SATA filter 424 L single-stage sinter filter, pressure regulator, for pipeline installation (G 1/2" female thread)



Fine filter

92239

SATA filter 434 single-stage fine filter without pressure regulator, with outlet module (2 x 1/4" male thread)



92270

SATA filter 434 L single-stage fine filter without pressure regulator for pipeline installation (G 1/2" female thread)



Activated charcoal filter to retrofit SATA filter 444

141473

SATA filter 464 add-on kit single-stage activated charcoal filter without pressure regulator to retrofit SATA filter 444 to SATA filter 484



92247

SATA filter 464 single-stage activated charcoal filter without pressure regulator, with outlet module (2 x 1/4" male thread)



Spare parts

SATA filter 424

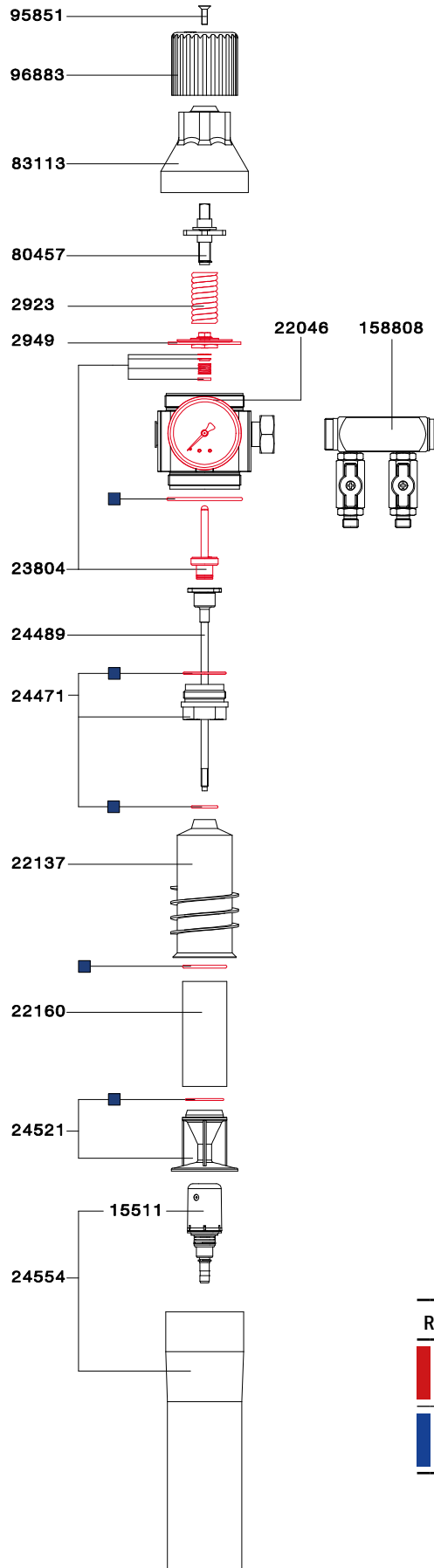
2923	Pressure spring
2949	Diaphragm
15511	Automatic condensate drain valve
22046	Pressure gauge 0 – 10 bar, 50 mm
22137	Cyclone separator
22160	Sintered filter
23804	Pressure valve
24471	Plastic nut with 2 O-rings for SATA filter series 300 and 400
24489	Threaded rod with pressure valve head
24521	Condensate retainer with O-ring
24554	Filter sleeve with automatic discharge valve
80457	Spindle for SATA filter series 400
83113	Fixing nut
95851	Countersunk screw M 5 x 16
96883	Pressure adjustment screw
158808	Manifold 2x 1/4" (male thread)

Spare parts

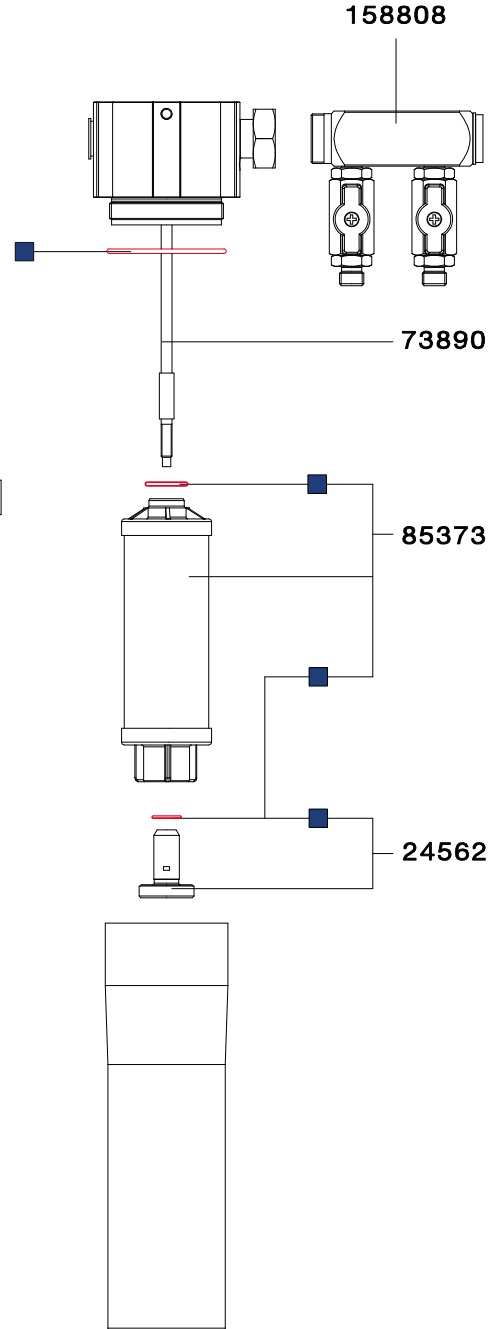
SATA® filter 464™

24562	Adapter, cpl. with O-ring
73890	Threaded rod
85373	Activated charcoal cartridge
158808	Manifold 2x 1/4" (male thread)

Spare parts for:
SATA filter 424 Art. No. 92221



Spare parts for:
SATA filter 464 Art. No. 92247



Repair kit

94979	Service unit filter series 0/400
96750	Sealing kit








SATA filter 444/474/484

Technical data:

Air inlet:	G 1/2" female thread
Air outlet:	1/4" male thread
Max. inlet operating pressure:	218 psi
Max. outlet operating pressure:	145 psi
Air flow at 87 psi:	127.1 cfm
Max. ambient temperature:	120 °C
Max. ambient temperature with activated charcoal:	60 °C



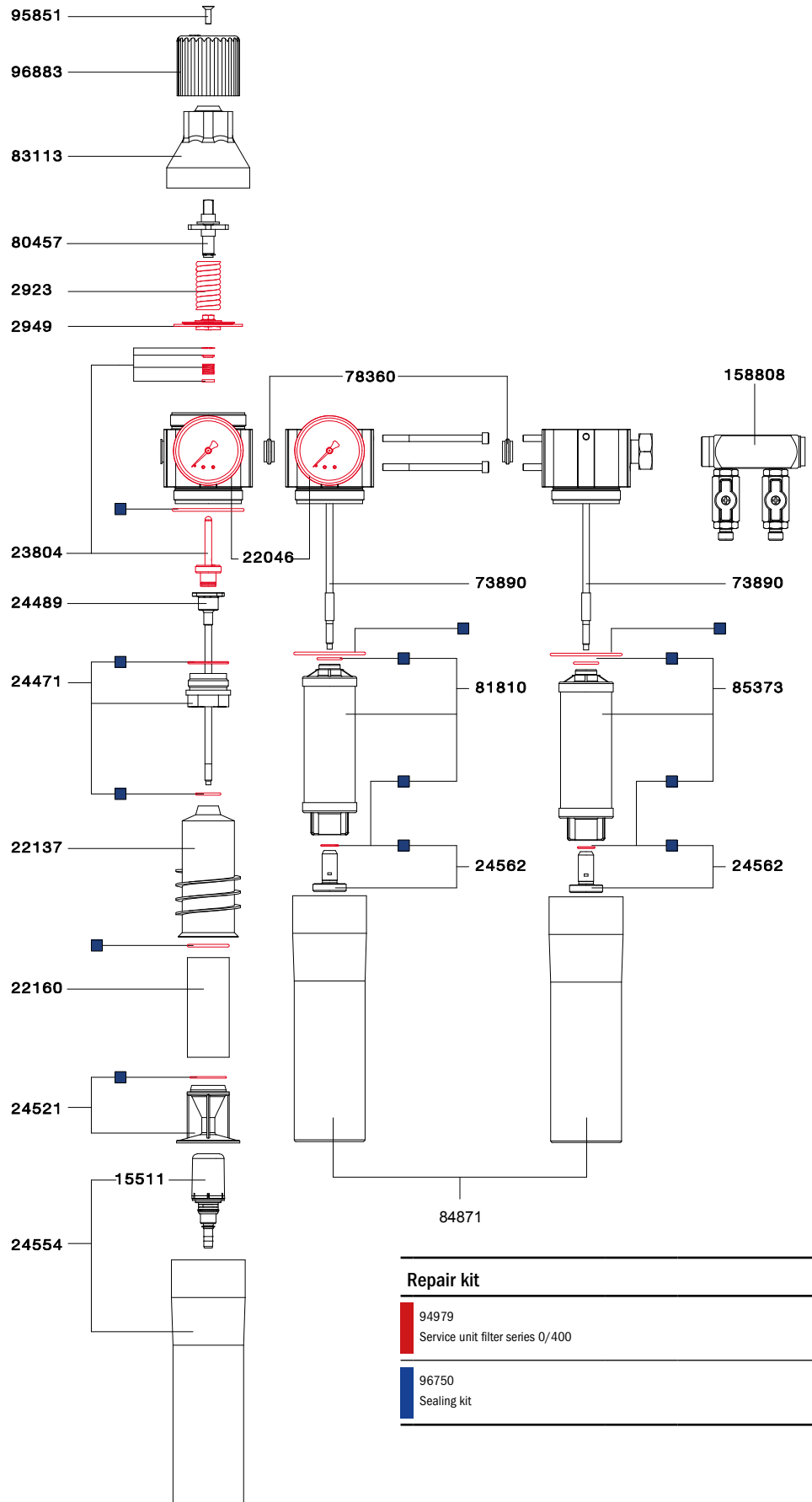
Combi filter

92296	SATA filter 444 double-stage sinter filter/fine filter with pressure regulator and outlet module (2 x 1/4" male thread)	
92833	SATA filter 444 with carrying support double-stage sinter filter/fine filter, pressure regulator, outlet module (2 x 1/4" male thread)	
92304	SATA filter 444 L double-stage sinter filter/fine filter with pressure regulator, for pipeline installation (G 1/2" female thread)	
92312	SATA filter 474 double-stage fine filter/activated charcoal without pressure regulator with outlet module (2 x 1/4" male thread)	
92320	SATA filter 484 triple-stage sinter filter/fine filter/activated charcoal with pressure regulator and outlet module (2 x 1/4" male thread)	
129619	SATA filter 484 with floor carrying support triple-stage sinter filter/fine filter/activated charcoal/floor carrying support with pressure regulator and outlet module (2 x 1/4" male thread)	
173195	SATA filter 484 mobil in a case, sintered filter/fine filter/activated charcoal with pressure regulator, air inlet G 1/2 ext., air outlet (2x quick coupling)	

Spare Parts

SATA filter 444/474/484

2923	Pressure spring
2949	Diaphragm
15511	Automatic condensate drain valve
22046	Pressure gauge 0 - 10 bar, 50 mm
22137	Cyclone separator
22160	Sintered filter
23804	Pressure valve
24471	Plastic nut with 2 O-rings for SATA filter series 300 and 400
24489	Threaded rod with pressure valve head
24521	Condensate retainer with O-ring
24554	Filter sleeve with automatic discharge valve
24562	Adapter, cpl. with O-ring
73890	Threaded rod
78360	Gasket
80457	Spindle for SATA filter series 400
81810	Fine filter cartridge
83113	Fixing nut
84871	Filter sleeve
85373	Activated charcoal cartridge
95851	Countersunk screw M 5 x 16
96883	Pressure adjustment screw
158808	Manifold 2x 1/4" (male thread)



Repair kit

94979
Service unit filter series 0/400

96750
Sealing kit

SATA filter 244/264/284

Technical data:

Air inlet:	G 1/2" female thread
Air outlet:	G 1/2" female thread
Max. operating pressure:	145 psi
Air flow at 87 psi	72 cfm
Max. ambient temperature:	120 °C
Max. ambient temperature with activated charcoal:	60 °C



Combi filter

44434
SATA filter 234 Single Stage (in-line)
0.01 micron filter unit. Provides 99.998% clean air.
Compressed air must be pre-filtered when using this unit. 1/2 inch internal inlet/outlet thread.



141226
SATA filter 264 Single Stage
Activated charcoal unit removes oil vapor and organic odors.
Pre-filtering compressed air is required.



43752
SATA filter 242 Double Stage (in-line)
Double-stage sinter filter/fine filter with pressure regulator for air installation (G 1/2 female thread)
Use as an unregulated line filter for very fine particle separation
Filters down to 0.01 micron



44404
SATA filter 244 Double Stage
Double-stage sinter filter/fine filter with pressure regulator and outlet module
Use to connect regulated air to air tools and breathing air with 2 drop manifold



189290
SATA filter 284 L 3-stage sinter filter/fine filter/activated charcoal filter, for air circuit installation
An economical three-stage filter unit. Stages include a 5 micron filter with automatic condensation discharger, a 0.01 micron fine filter and an activated charcoal filter for breathing air or spraying water borne.
Used with the SATA supplied air respirator industrial belt valve or ensuring removal of oil residue when spraying water borne paint.



141218
SATA 284 Triple Stage (in-line)
Triple-stage sinter filter/fine filter/activated charcoal with pressure regulator and outlet module.
Used in conjunction with the SATA supplied air respirator industrial belt valve or ensuring removal of oil residue for spraying water borne paint. With 2 drop manifold

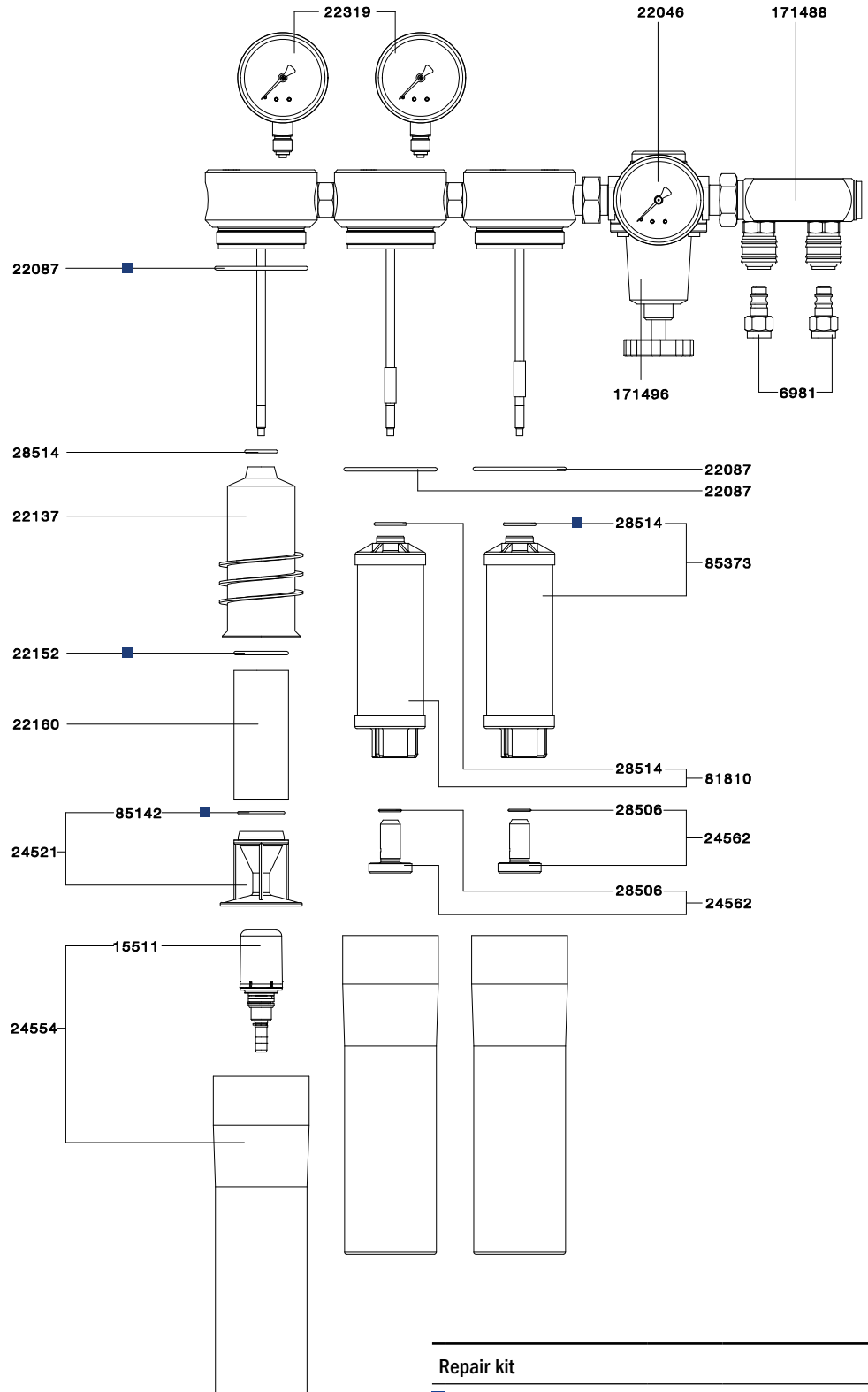


Spare parts

SATA filter 244/264/ 284

6981	SATA quick coupling nipple G 1/4" (female thread) (packing unit 5 pieces)
8706	Double nipple
15511	Automatic condensate drain valve
22046	Pressure gauge 0 - 10 bar, 50 mm
22087	O-ring
22137	Cyclone separator
22152	O-ring
22160	Sintered filter
22319	Pressure gauge 0-10 bar, 50 mm
24521	Condensate retainer with O-ring
24554	Filter sleeve with automatic discharge valve
24562	Adapter, cpl. with O-ring
28506	O-ring
28514	O-ring
81810	Fine filter cartridge
85142	O-ring
85373	Activated charcoal cartridge
171488	Manifold, cpl.
171496	Pressure regulator for SATA filter series 200

Spare parts for:
SATA filter 284
Art. No. 141218



Repair kit

148528
Sealing kit

SPRAY GUNS

CUP SYSTEMS

BREATHING PROTECTION

FILTER TECHNOLOGY

ACCESSORIES

MERCHANDISING ITEMS



NEW

SATA filter

524/544/564/584

Technical data:

Air inlet:	G 1/2" female thread
Air outlet:	1/4" male thread
Max. inlet operating pressure:	217 psi
Max. outlet operating pressure:	217 psi
Air flow at 90 psi:	approx. 135 cfm
Max. ambient temperature:	120 °C
Max. ambient temperature with activated charcoal:	60 °C

**Combi filter**

1101667

SATA pressure reducer with gauge 0-10 bar (0-145 psi), air outlet G 1/2" (female thread)



1101659

SATA filter 524 single-stage sinter filter, pressure regulator, outlet module (2 x 1/4" male thread)



1101641

SATA filter 524 L single-stage sinter filter, pressure regulator, for pipeline installation (G 1/2" female thread)



1101005

SATA filter 564 add-on kit activated charcoal filter to retrofit SATA filter 544 to SATA filter 584



1100990

SATA filter 544 double-stage sinter filter/fine filter with pressure regulator and outlet module (2 x 1/4" male thread)



1099953

SATA filter 584 triple-stage sinter filter/fine filter/activated charcoal with pressure regulator and outlet module (2 x 1/4" male thread) (Int.)



1101625

SATA filter 584 with carrying support triple-stage sinter filter/fine filter/activated charcoal, pressure regulator, outlet module (2 x 1/4" male thread)



1101675

SATA filter 584 mobil, triple-stage sintered filter/fine filter/activated charcoal with pressure regulator, air outlet (2x quick coupling) and SATA air hose, 13 mm with trolley



Spare parts

SATA filter 524

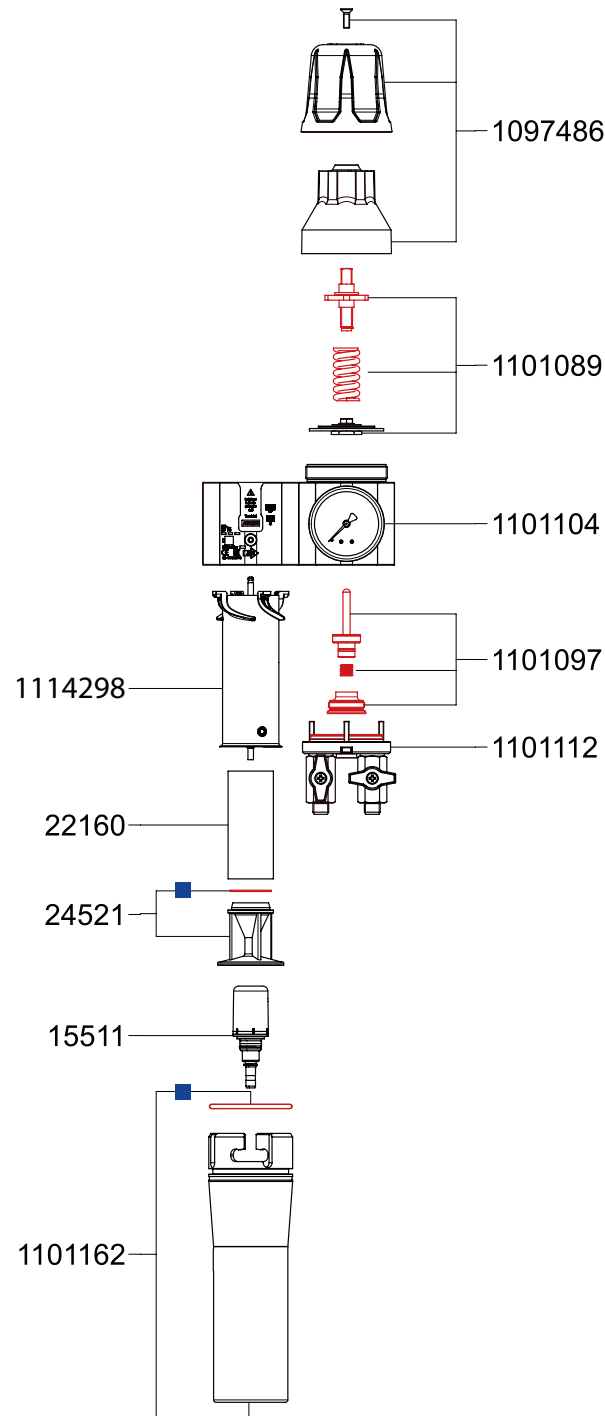
15511	Automatic condensate drain valve
22160	Sintered filter
24521	Condensate retainer with O-ring
1097486	Pressure reducer with pressure adjustment screw and countersunk screw
1101089	Diaphragm incl. pressure spring and spindle
1101097	Pressure steering unit
1101104	Pressure gauge 0 - 15 bar (0-145 psi)
1101112	Cover unit with ball valves 2 pcs.
1101162	Filter sleeve with automatic discharge valve
1114298	Cyclone separator

Spare parts

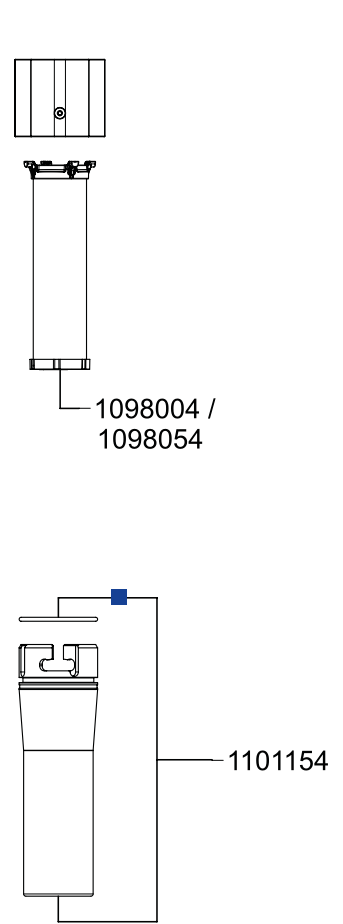
SATA filter 564

1098004	Activated charcoal cartridge
1098054	Service kit for SATA filter series 500: with fine filter and activated charcoal cartridge
1101154	Filter housing

Spare parts for:
SATA filter 524
Art. No. 1101659



Spare parts for:
SATA filter 564
Art. No. 1101005



Repair kit

1102087
Service unit

1101518
Sealing kit

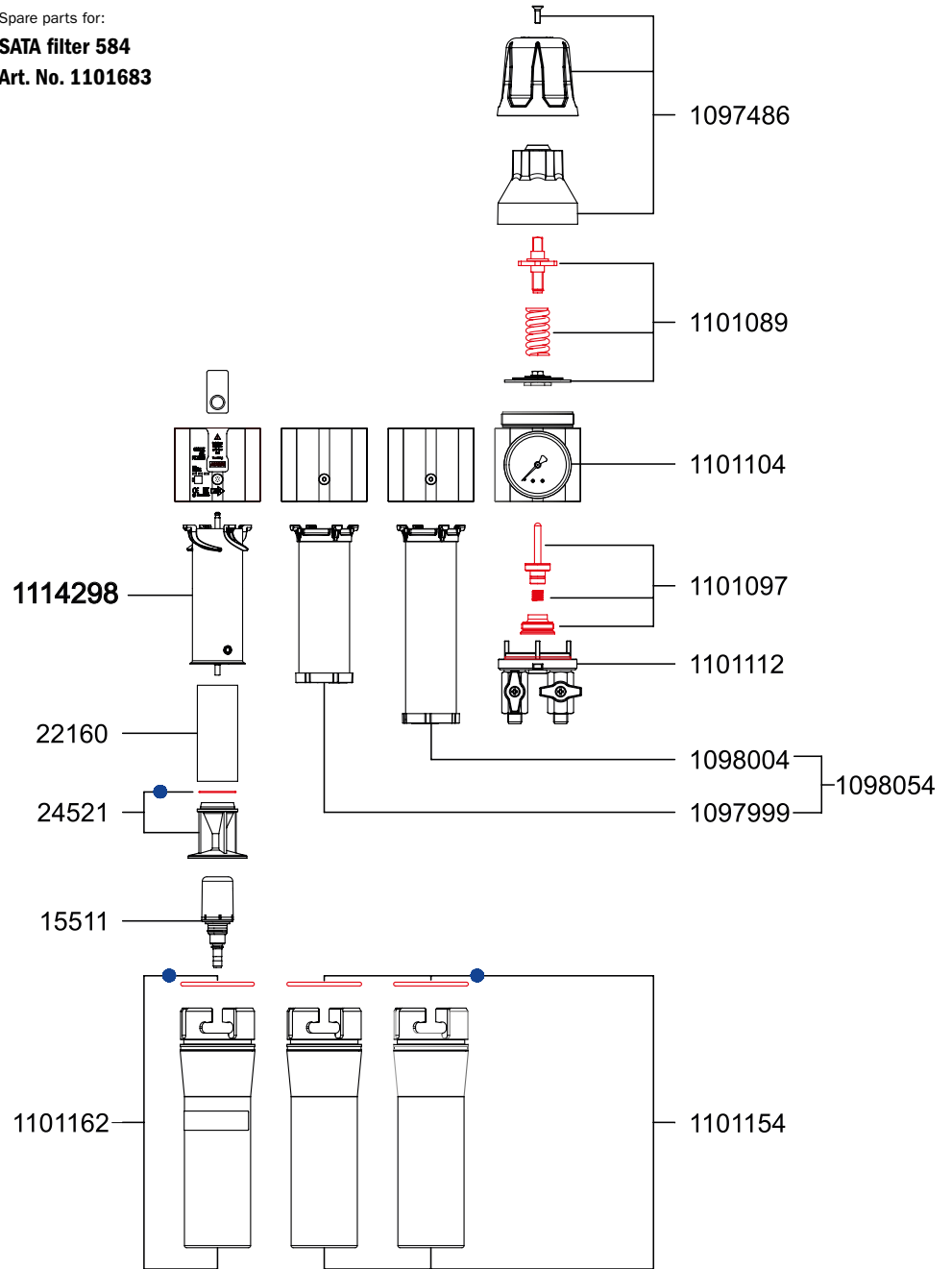
Errors, technical modifications and printing errors reserved.

Spare parts

**SATA filter 544/
584**

15511	Automatic condensate drain valve
22160	Sintered filter
24521	Condensate retainer with O-ring
1097486	Pressure reducer with pressure adjustment screw and countersunk screw
1097999	Fine filter cartridge
1098004	Activated charcoal cartridge
1098054	Service kit for SATA filter series 500: with fine filter and activated charcoal cartridge
1101089	Diaphragm incl. pressure spring and spindle
1101097	Pressure steering unit
1101104	Pressure gauge 0 - 15 bar (0-145 psi)
1101112	Cover unit with ball valves 2 pcs.
1101154	Filter housing
1101162	Filter sleeve with automatic discharge valve
1114298	Cyclone separator

Spare parts for:
SATA filter 584
Art. No. 1101683










Repair kit

1102087
Service unit








1101518
Sealing kit

Accessories for SATA filter series











Filter cartridges

22160	Sintered filter for all SATA filter series	
1097999	Fine filter cartridge for SATA filter series 500	
81810	Fine filter cartridge for SATA filter series 200, 300 and 400	
1098004	Activated charcoal cartridge for SATA filter series 500	
85373	Activated charcoal cartridge for SATA filter series 200, 300 and 400	
1098054	Service kit for SATA filter series 500: with fine filter and activated charcoal cartridge	
214270	SATA six pack with #81810 (packing unit 2 pieces) and #85373 (packing unit 4 pieces) for SATA filter 484	






Filter accessories

13599	SATA quick coupling G 1/4" (female thread)	
1107269	SATA high-flow coupling, red, packaging unit 2 pcs. for SATA filter series 500	
1101146	Manifold SATA filter 500	
86892	SATA's Auto discharger is a fully automatic drain valve to eliminate condensation from your down pipes and airline drops. It is 1/2" NPT to easily connect to your drops. This requires no electricity, so can be placed inside explosion proof areas.	
195222	SATA adam 2U dock only; convert analog gauge to digital; G1/8"	
6981	SATA quick coupling nipple G 1/4" (female thread) (packing unit 5 pieces)	
53942	SATA HVLP male nipple G 1/4 male thread	


Filter accessories







13599 SATA quick coupling G 1/4" (female thread)	
13623 SATA HVLP male coupler G 1/4 male thread	
59295 400 Series Manifold, Pre 2011 Version; Manifold, 2 drop	
158808 400 Series Manifold, After 2011 Version; Manifold, 2 drop	
158824 Manifold for extension with 2 ball valves for SATA filter series 400	
171488 Manifold, 2 drop, 200 series (2011 version)	
171496 Pressure regulator, 200 series 1/2" connection; Max. inlet pressure 140 psi; After 2011 version	
47290 SATA Pressure Regulator; 1/2" connection; Max. inlet pressure 140 psi Pre 2011 version	
142224 200 Series manifold with couplings nipples, 1/2" connection Before 2011 version; Manifold, 2 drop	
10934 Ball tap (Teflon) 1/2" male thread for air inlet SATA filter series 100, 300, 400 and cleaning devices	
9878 SATA mini filter 1/4" (male thread)	

Air quality control

156299 SATA air tester, atomisation air quick tester	
7096 SATA air check set compressed air quality control device for optimum spray air	
7666 Diaphragm (packing unit 10 pieces) for SATA air check set	
1107350 Service tachometer for the spray booth, A3, German / English for SATA filter series 500	
133587 SATA Service Tacho for the paint spray booth, German/English, DIN A3	
1101500 SATA filter cover (packing unit 4 pieces) for SATA filter series 500	
215053 SATA filter cover (packing unit 4 pieces) for all SATA filter series, excludes 500 series	

Accessories

Type of device	Fields of application/function
 <p>DAN-Am Pressure Pots 120 – 121</p>	<ul style="list-style-type: none"> • For the application of larger amounts of paint • High working speed and surface coverage • Enhanced profit due to time saving efficiency
 <p>Dan-Am 10-40 L Pressure Tanks 122– 127</p>	<ul style="list-style-type: none"> • Quality line of pressure tanks available in 10, 20 and 40 liter • For the application of larger amounts of paint • High working speed and surface coverage • Enhanced profit due to time saving efficiency
 <p>SATA vario top spray 128 – 131</p>	<ul style="list-style-type: none"> • High performance diaphragm pump technology with enhanced pump capacity for high speed application • Individual versions for pumping, feeding or painting • Ultra-fine atomisation of primer materials and topcoats in conjunction with the reliable, top quality SATA spray guns (e.g. SATAjet 3000 K and 1000 K)
 <p>SATA clean RCS</p>	<ul style="list-style-type: none"> • Rapid cleaning system for intermediate cleaning of spray guns for quick colour changes when using disposable cups, e.g. SATA RPS. • Suitable for waterborne and solvent-based paint systems
 <p>SATA clean RCS compact</p>	
 <p>SATA clean RCS micro</p>	
 <p>SATA multi clean 2 138 – 139</p>	

Type of device	Fields of application/function	
	SATA trueSun 142	<ul style="list-style-type: none"> · Daylight lamp for accurate colour retrieval · Uniform distribution of the light intensity across the entire light cone ensuring consistent colour reproduction - from centre to edge · Built-in charging condition display · Infinitely dimmable light intensity · Highest quality level of daylight reproduction from start to finish
	SATA dry jet 2 143	<ul style="list-style-type: none"> · Accelerated drying of surfaces painted with waterborne materials · Ideally suited for smaller paint jobs, as expensive booth heating times are being avoided · Integrated air regulation to set the inlet pressure
	SATA Blow Guns 132	<ul style="list-style-type: none"> · To blow-off dust and particles - low air consumption, high efficiency · Robust and very durable · Different versions with special nozzle set-ups available
	Grit blasting equipment 132 – 133	<ul style="list-style-type: none"> · Grit blasting guns with hard metal insert - to remove rust efficiently and quickly · Ideal for areas of difficult access · Injector suction principle optionally with hand-held gun or large containers
	Rustproofing Equipment 134 – 137	<ul style="list-style-type: none"> · Pressurised cup spray gun for cavity preservation and underbody protection of all vehicle types. Different cavity wand systems are available. · Fine atomisation even with the application of high-viscosity materials by pressurisation with up to 10 bar
	Air Hoses 144 – 145	Hoses for everything from breathing air to high pressure fluid and air combination hoses for painting
	Paint Coveralls 146 – 147	A variety of sizes and design paint suits from economical to professional series. Flexible for comfort and anti-static to keep your work and you clean

Dan-Am Pressure Pots

Technical data:	Std Version	SS Version
Max Cup Pressure	50 psi	50 psi
Max Operating Pressure	35 psi	35 psi
Overall Height	17 3/4" / 450 mm	19" / 485 mm
Base Diameter	5 1/8" / 130 mm	5 1/8" / 130 mm
Air Inlet	1/4 NPS male	1/4 NPS male
Air Outlet	1/4 NPS male	1/4 NPS male
Material Outlet	3/8 NPS male	3/8 NPS male
Fluid Capacity	2.1 qt/2 Liter	2.1 qt/2 Liter
Weight	3 lbs 14 oz / 1.76 kg	5 lbs 8 oz / 2.5 kg



2.0L pressure pot - Aluminum

670200

Dan-Am 2 liter aluminum pressure pot, complete with deck, regulator and tank



2.0L pressure pot - Stainless Steel

670400

Dan-Am 2 liter stainless steel pot, complete with deck, regulator and tank

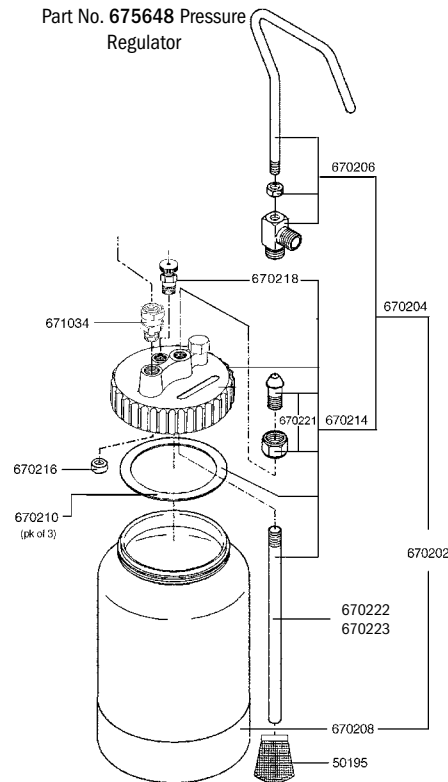


Spare parts
2.0L Pot Aluminum
670200

50195
Sieve, pk of 2 (optional)
670202
Pot complete w/o regulator
670204
Deck complete w/o regulator
670206
Material outlet/handle assem.
670208
Pressure cup, 2 liter
670210
Deck gasket, pk of 3
670214
Deck Assembly
670216
Check valve insert (optional)
670218
Pressure release valve
670219
Viton O-ring for 670218
670221
Material outlet fitting
670222
Brass 11mm outside diameter
670223
Stainless 13mm outside diameter
671046
Check valve
675620
Regulator body, 1/4"
677002
Male hex nipple, 1/4"
677021
Extension, 1/4"
677062
Street elbow, 1/8"
677063
Street elbow, 1/4"
677083
Tee fitting, 1/4"
677172
Mini ball valve, 1/4"
677500
Gauge, 1-1/2", 60 psi
677550
Over pressure valve, 35 psi
675648
Regulator assembly, complete



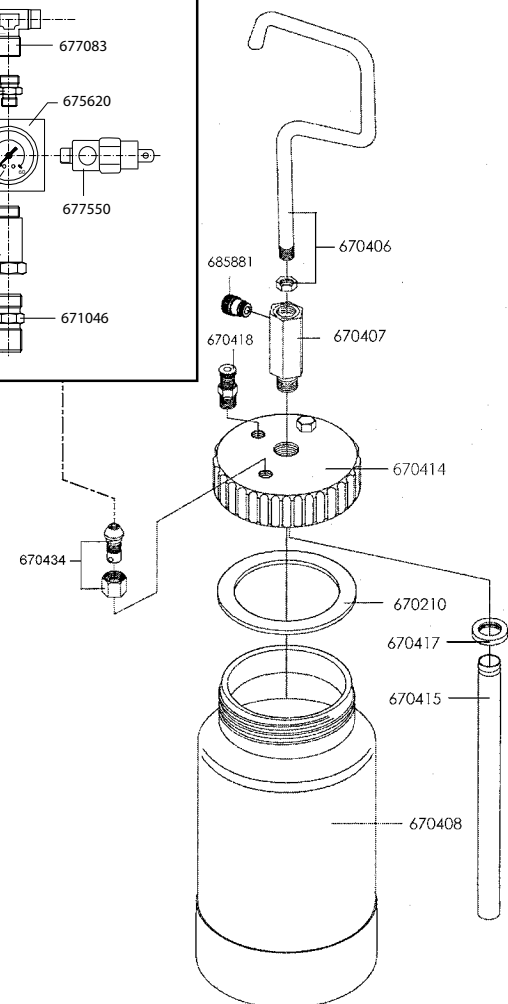
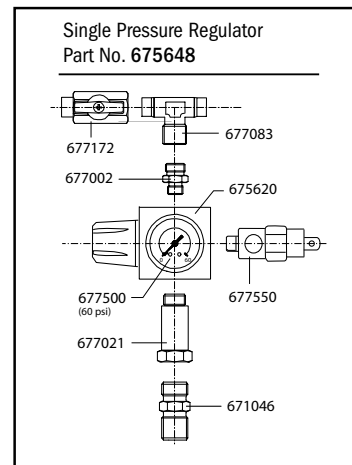
Part No. 675648 Pressure Regulator



Spare parts
2.0L Pot SS 670400

670400
Pressure pot cpl., w/regulator
670406
Handle w/nut
670407
Material outlet
670408
Tank only
670414
Deck only
670415
Fluid pick-up tube
670417
Nut, fluid pick-up tube
670418
Pressure release valve
670430
Regulator assembly, complete
670434
Air inlet fitting
671046
Check valve
671046
Check valve, 1/4"

671050
Regulator repair kit
675620
Regulator body, 1/4"
675648
Regulator assembly, complete
677002
Male hex nipple, 1/4"
677021
Extension, 1/4"
677083
Tee fitting, 1/4"
677172
Mini ball valve, 1/4"
677500
Gauge, 1-1/2", 60 psi
675648
Regulator assembly, complete
685881
Material outlet fitting



Errors, technical modifications and printing errors reserved.

Dan-Am 10 - 40 Pressure Tanks

SATA Canada offers a quality line of pressure tanks from 10 to 40 liter. These cost-effective tanks are supplied complete with a quality regulator, over-pressure valve, backcheck valve and fluid shut-off valve. Dan-Am models include 10 liter pressure tanks with single or double pressure regulator either plain, with manual stirrer or with pneumatic stirrer. Other 20 and 40 liter variations are also offered with single or double pressure regulator. Tanks are mounted on wheels for ease of handling and mobility.



10 Liter pressure tank

671100	10 l pressure pot w/ single regulator, over-pressure valve, back check valve, fluid shut off valve w/o stirrer
681100	10 l pressure pot w/ double regulator, over-pressure valve, back check valve, fluid shut off valve w/o stirrer
671200	10 l pressure pot w/ single regulator, over-pressure valve, back check valve, fluid shut off valve and manual agitator
681200	10 l pressure pot w/ double regulator, over-pressure valve, back check valve, fluid shut off valve and manual agitator
671300	10 l pressure pot w/ single regulator, over-pressure valve, back check valve, fluid shut off valve and pneumatic agitator
681300	10 l pressure pot w/ double regulator, over-pressure valve, back check valve, fluid shut off valve and pneumatic agitator



20 Liter pressure tank

672100	20L pressure pot w/ single regulator, over-pressure valve, back check valve, fluid shut off valve w/o stirrer
682100	20L pressure pot w/ double regulator, over-pressure valve, back check valve, fluid shut off valve w/o stirrer
672200	20L pressure pot w/ single regulator, over-pressure valve, back check valve, fluid shut off valve and manual agitator
682200	20L pressure pot w/ double regulator, over-pressure valve, back check valve, fluid shut off valve and manual agitator
672300	20L pressure pot w/ single regulator, over-pressure valve, back check valve, fluid shut off valve and pneumatic agitator
682300	20L pressure pot w/ double regulator, over-pressure valve, back check valve, fluid shut off valve and pneumatic agitator



40 Liter pressure tank

674300	40L pressure pot w/ single regulator, over-pressure valve, back check valve, fluid shut off valve and pneumatic agitator
684300	40L pressure pot w/ double regulator, over-pressure valve, back check valve, fluid shut off valve and pneumatic agitator



Accessories for pressure tanks

671012	10L Pressure tank disposable liner, 12 pack
671060	10L Pressure tank disposable liner, 60 pack

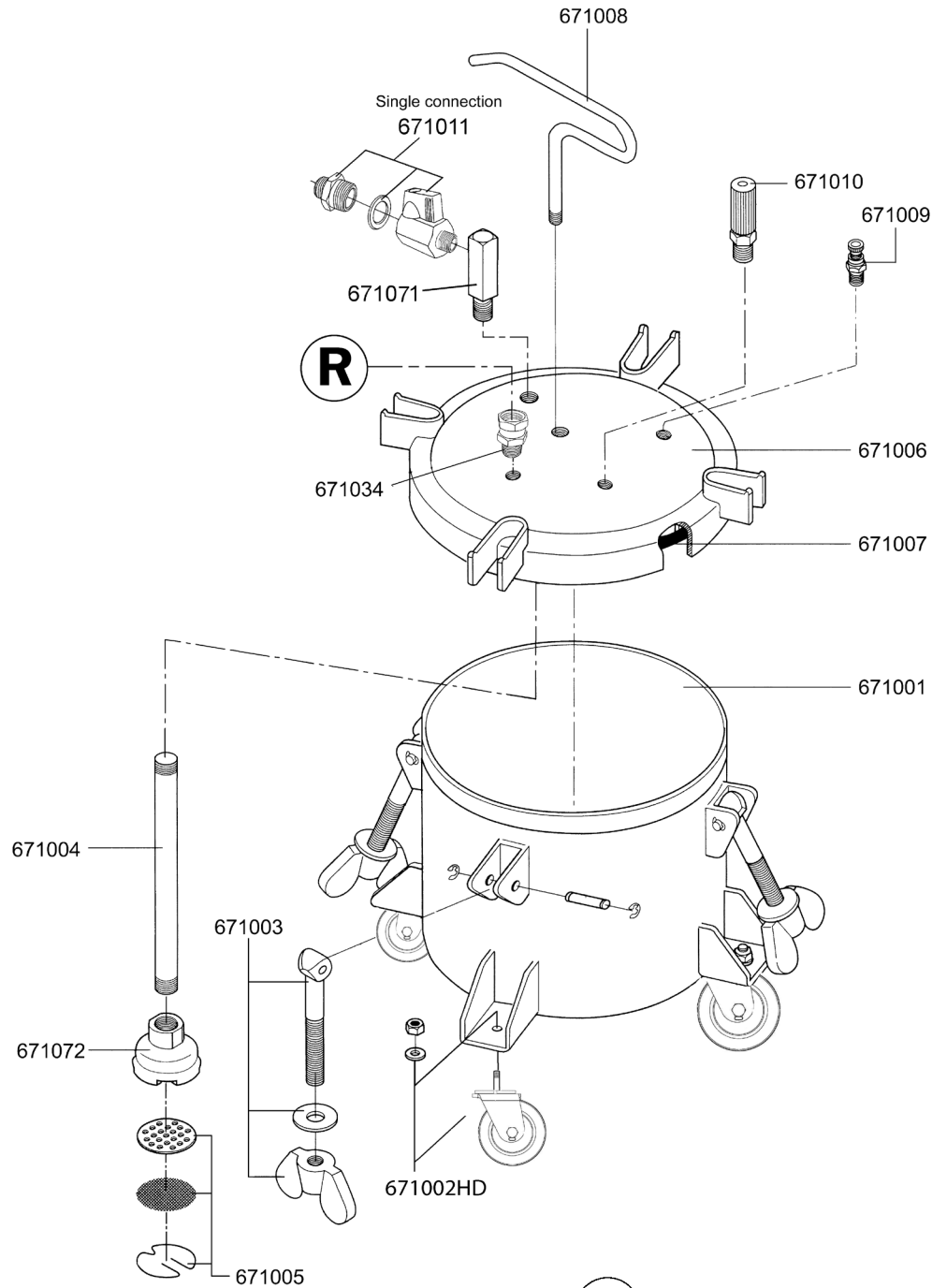


Spare parts

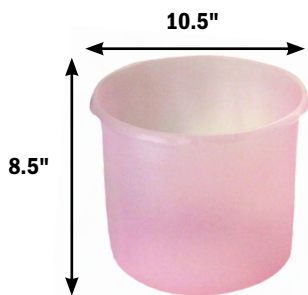
Dan-Am 10 L Pressure Tank

671001	Pressure tank, 10 L
671002HD	Wheel assembly
671003	Swing bolt assembly
671004	Fluid tube
671005	Fluid sieve kit
671006	Tank lid
671007	Lid gasket
671008	Handle
671009	Pressure relief valve
671010	Secondary over pressure release valve
671011	Fluid Valve Assembly, single
671012	Disposable liner, 10L, Pk of 12
671034	Swivel Connector, Male/Female
671045C	10L deck, w/o regulator, complete
671060	Disposable liner, 10L, Pk of 60
671071	Fluid outlet
671072	Fluid sieve housing

671045C 10 Liter deck, W/O regulator, (includes everything shown below)



(R) = Regulator



10L disposable liners

- 671012 Pk of 12
- 671060 Pk of 60

Errors, technical modifications and printing errors reserved.

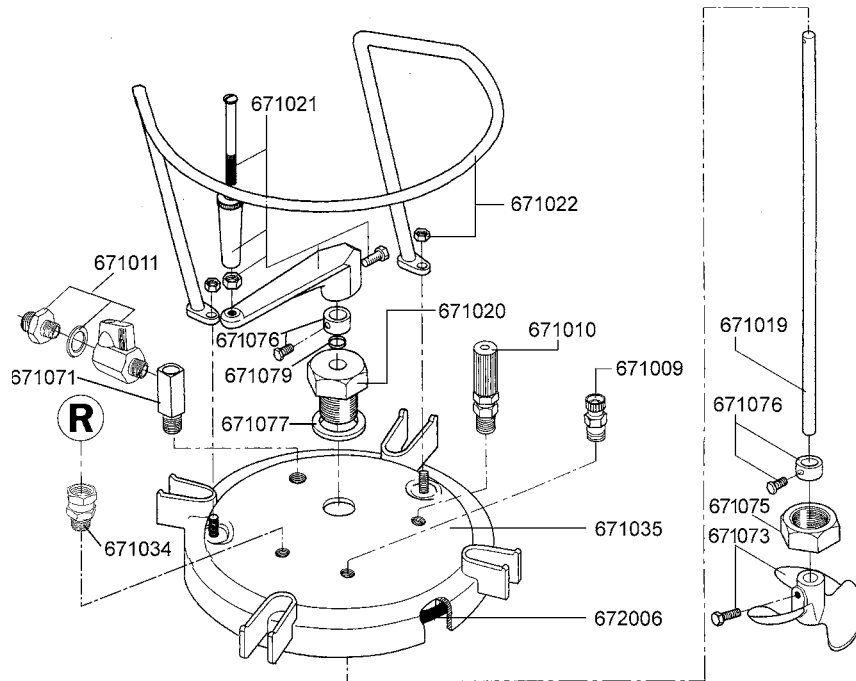
Spare parts

Dan-Am 10 L Pressure Tank

671007	Lid gasket
671009	Pressure relief valve
671010	Secondary over pressure release valve
671011	Fluid valve assembly
671019	Manual agitator shaft
671020	Manual crank base
671021	Manual crank handle assembly
671022	Parts guard assembly
671023	Pneumatic agitator shaft, w/coupling #671078
671024	Motor base assembly
671025	Connecting bushing assembly
671026	Air motor
671033	Agitator air line assembly
671034	Swivel connector, male/female
671035	Tank lid
671045	10L deck w/crank w/o reg, complete lid
671045A	10L deck w/air agitator, w/o reg, complete lid
671071	Fluid outlet
671073	Manual agitator propeller w/bolt
671074	Pneumatic agitator propeller w/bolt
671075	Agitator base nut
671076	Manual agitator shaft lock collar w/bolt
671077	Agitator base gaskets
671078	Pneumatic agitator shaft lock collar assembly
671079	O-ring, Manual agitator base, pack of 2
671080	O-ring, Pneumatic agitator base, pack of 2

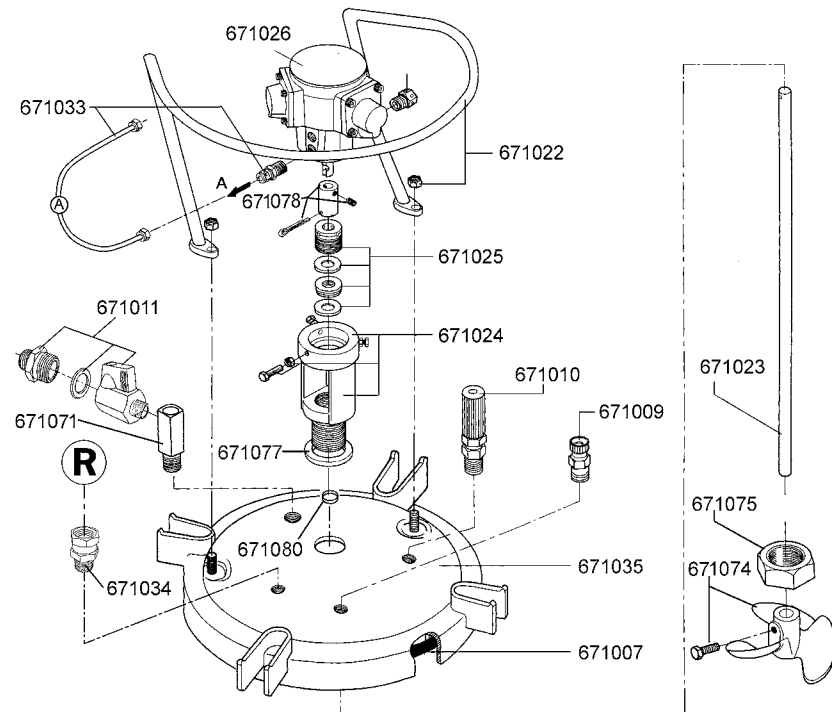
Manual Crank Agitator Version

671045 10 Liter deck, W/crank, W/O regulator, (includes everything shown below)



Pneumatic Air Agitator Version

671045A 10 Liter deck, W/air agitator, W/O regulator, (includes everything shown below)



(R) = Regulator

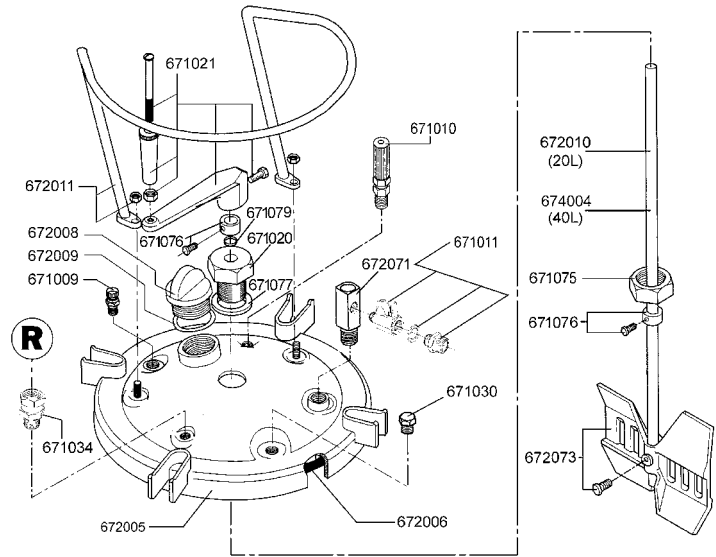
Errors, technical modifications and printing errors reserved.

Spare parts

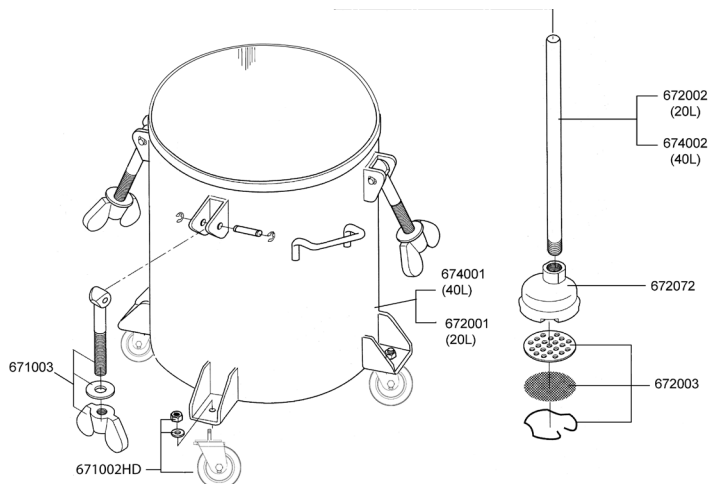
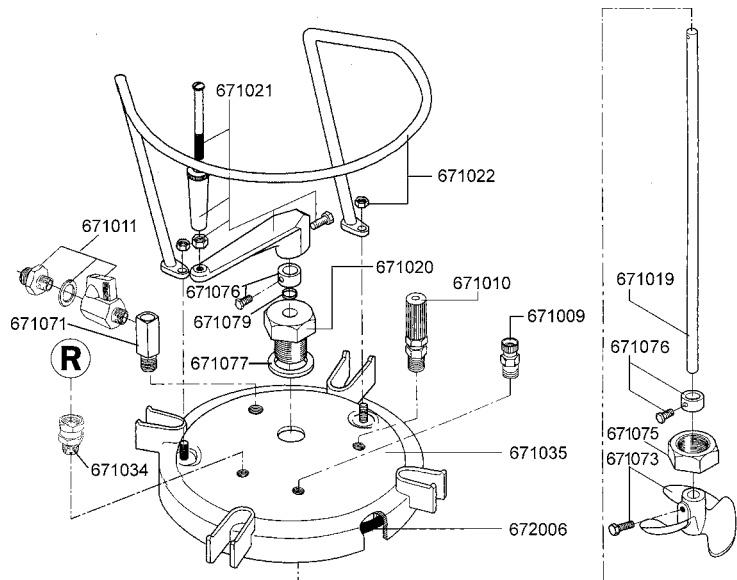
Dan-Am 20 & 40 Liter Pressure Tank Lid

671002	HD Wheel assembly
671003	Swing bolt assembly
671008	Handle
671009	Pressure relief valve
671010	Secondary over-pressure release valve
671011	Fluid valve assembly
671020	Manual crank base
671021	Manual crank handle
671024	Motor base assembly
671025	Bushing Set for Air Agitator
671026	Air motor
671030	Plug, male
671033	Agitator air line assembly
671034	Swivel connector, male/female
671036	Muffler
671075	Agitator base nut
671076	Manual agitator shaft lock
671077	Agitator base gasket
671078	Pneumatic agitator shaft
671079	O ring, Manual agitator base, (pk of 2)
671080	O ring, Air agitator base, (pk of 2)
672001	Pressure tank, 20-Liter
672002	Fluid tube, 20L
672003	Fluid sieve kit, 20L
672005	Tank lid w/ agitator hole
672006	Lid gasket
672008	Cap screw
672009	O Ring
672010	Manual agitator shaft, 20-Liter
672011	Parts guard assembly
672013	Pneumatic agitator shaft w/ coupling #671078

20 Liter Manual Crank Agitators (20L only)



Pneumatic Air Agitator 20L or 40L



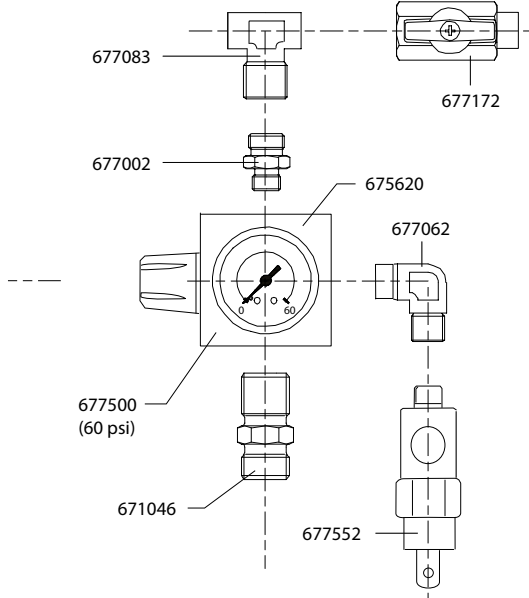
672071	Fluid outlet
672072	Fluid sieve housing
672073	Hand agitator paddle, w/bolt
672074	Pneumatic agitator propeller
674001	Pressure tank, 40-Liter
674002	Fluid tube, 40L
674005	Pneumatic agitator shaft, 40L, w/coupling #671078
677163	Extension Fitting

Errors, technical modifications and printing errors reserved.

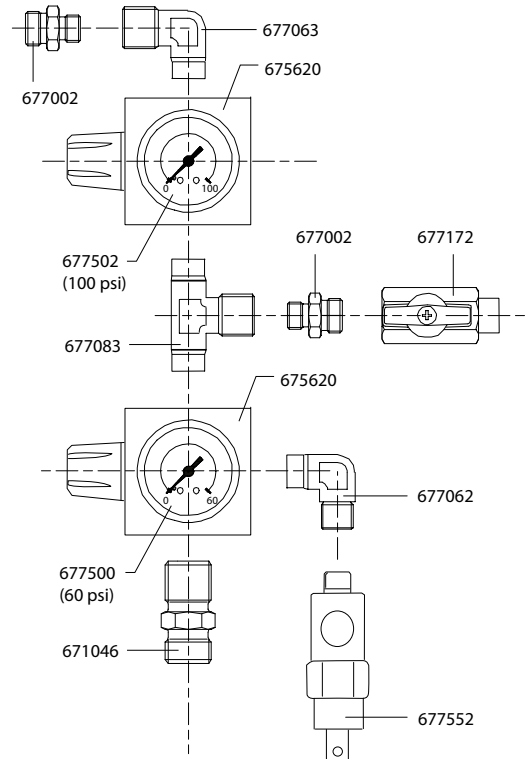
Parts Pressure tank regulators 675640 & 675642

New body style - April 2013

675640 Single regulator for Std and manual stir tanks, 10, 20, & 40L



675642 Dual regulator for std and manual stir tank



671046	Check valve
675620	Regulator body, 1/4"
677002	Male hex nipple, 1/4"
677062	Street elbow, 1/8"
677063	Street elbow, 1/4"
677083	Tee fitting, 1/4"
677172	Mini ball valve, 1/4"
677500	Gauge, 1-1/2", 60 PSI
677502	Gauge, 1-1/2", 100 PSI
677552	Over pressure valve, 60psi



Errors, technical modifications and printing errors reserved.

SPRAY GUNS

CUP SYSTEMS

BREATHING PROTECTION

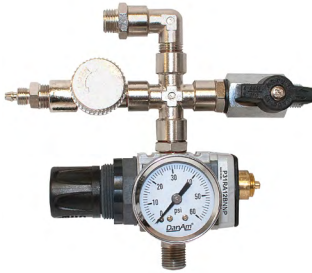
FILTER TECHNOLOGY

ACCESSORIES

MERCHANDISING ITEMS

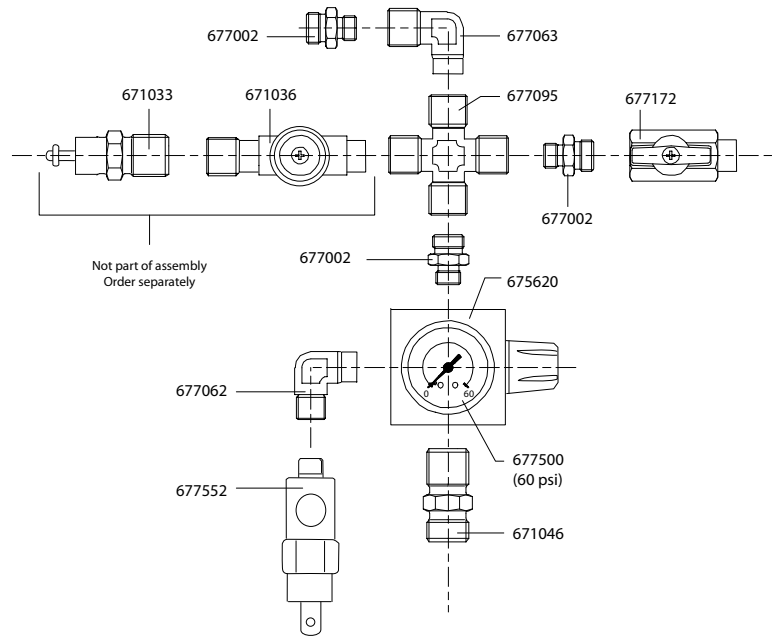
Parts Pressure tank regulators 675644 & 675646

New body style - April 2013

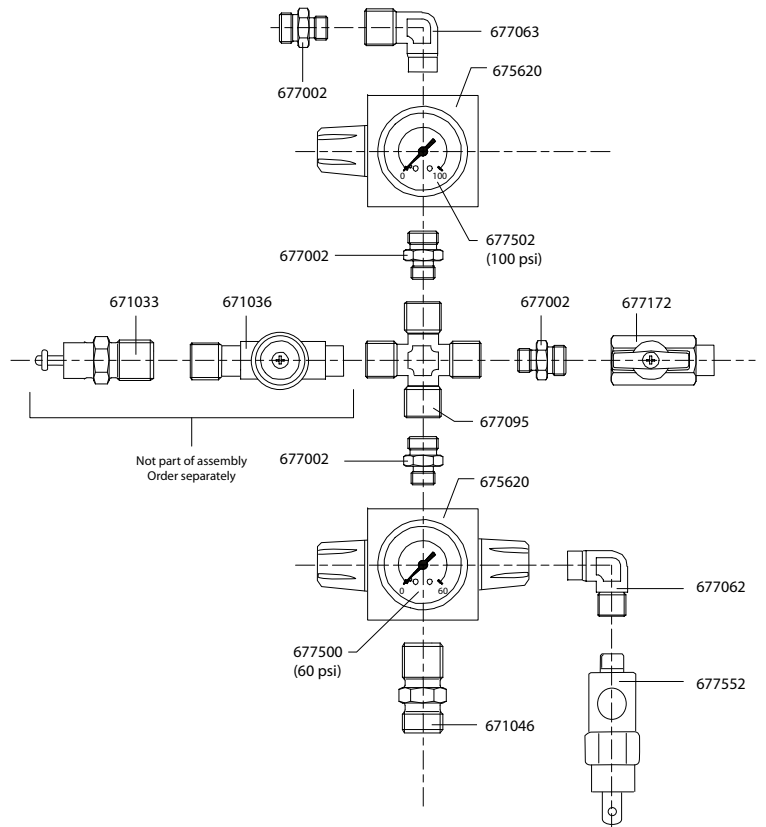


671033	Check Agitator airline assembly (includes hose and fasteners)
671036	Agitator shut off valve
671046	Check valve
675620	Regulator body, 1/4"
677002	Hex nipple, 1/4"
677062	Street elbow, 1/8"
677063	Street elbow, 1/4"
677095	Female cross
677172	Mini ball valve, 1/4"
677500	Gauge, 60 PSI, 1-1/2"
677502	Gauge, 100 PSI, 1-1/2"
677552	Over pressure valve, 60 psi

675644 Single regulator for Air Agitated tanks, 10, 20, & 40L



675646 Dual regulator for Air Agitated tanks



Errors, technical modifications and printing errors reserved.

SATA vario top spray

Technical data:

Pump ratio:	1:1	
Material pressure:	116 psi	
Material flow volume (at 220 double strokes):	32 l/min.	
Air inlet pressure min.:	15 psi	
Air inlet pressure max.:	116 psi	
Version and weight without add-on components:	Aluminium:	Stainless steel:
	6 kg	12 kg



Available versions

81661

SATA vario top spray S, double diaphragm pump 1:1, with stand, material fine pressure regulator, suction tube and 1 spray gun connection, without spray gun and hoses



61507

SATA vario top spray W, double diaphragm pump 1:1 wall mounted version, with material fine pressure regulator, suction tube and 1 spray gun connection, without spray gun and hoses



61515

SATA vario top spray F, double diaphragm pump 1:1 on trolley, with material fine pressure regulator, suction tube and 1 spray gun connection, without spray gun and hoses



63974

SATA vario top spray F, double diaphragm pump 1:1, mobile, with material fine pressure regulator, suction tube + 2. gun connection, without spray gun and hoses

138941

SATA vario top spray FFB, double diaphragm pump 1:1, on trolley, with gravity flow container, material fine pressure regulator, without suction tube, 1 spray gun connection, without spray gun and hoses

Versions – pump and material passages made of stainless steel

81406

SATA vario top spray S, double diaphragm pump 1:1, stainless steel version, stand, material fine pressure regulator, suction tube and 1 spray gun connection, without spray gun and hoses

72678

SATA vario top spray W, double diaphragm pump 1:1, stainless steel version, for wall mounting, with material fine pressure regulator, suction tube and 1 spray gun connection, without spray gun and hoses

72694

SATA vario top spray F double diaphragm pump 1:1, stainless steel version, on trolley, with material fine pressure regulator, suction tube and 1 spray gun connection, without spray gun and hoses

138958

SATA vario top spray FFB, double diaphragm pump 1:1, stainless steel version, on trolley, with gravity flow container, fine material pressure regulator, without suction tube and 1 spray gun connection, without spray gun and hoses

95109

SATA vario top spray FFB, double diaphragm pump 1:1, stainless steel version, on trolley, with gravity flow container, material fine pressure regulator, suction tube and 1 spray gun connection, without spray gun and hoses

Spare parts

SATA vario top spray

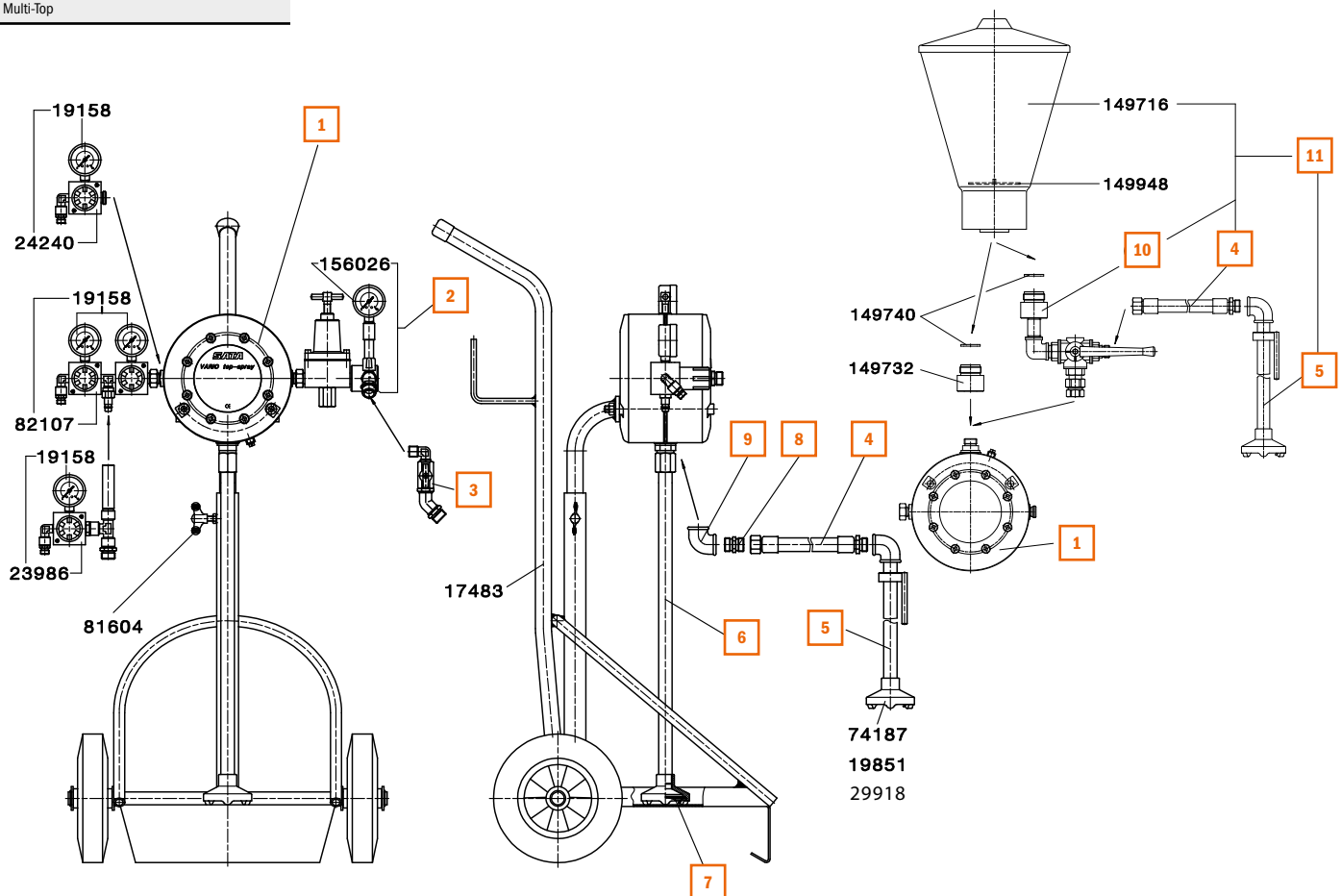
17483	Trolley, cpl.
19158	Pressure gauge 0 - 145 psi, 50 mm
19851	Sieve hose (packing unit 10 pieces)
23986	Air connection for second spray gun, cpl.
24240	Single pressure regulator, cpl. with pressure gauge 0 - 10 bar
74187	Suction globe, cpl. version for waterborne materials
81604	Wing-shaped handle for stand, SATA pumps and dry-jet
82107	Double pressure reducer, cpl. with pressure gauge 0 - 10 bar
149716	Gravity flow cup 6 l with lid
149732	Container stud
149740	Gasket for gravity container
149948	Flat sieve 20 mesh (packing unit 2 pieces)
156026	Pressure gauge 0 - 87 psi, 50 mm, G 1/4
29918	Circlip for suction globe Spray-Mix, Vario-Top-Spray and Multi-Top

Spare parts

SATA vario top spray

Part	Standard Version	Stainless steel version
1	61192 Double diaphragm pump 1:1, coated version, material connection M 25 x 1.5, male thread, air inlet 1/4" (male thread), grounding cable	88641 Double diaphragm pump 1:1, stainless steel, material connection M 25 x 1.5 male thread, air inlet 1/4" (male thread), without grounding cable
2	24422 Material fine pressure regulator, cpl.	25338 Material fine pressure regulator, cpl., stainless steel
3	72918 Material connection for second spray gun, cpl. for material fine pressure regulator	57570 Material connection for second spray gun, stainless steel, cpl. for material fine pressure regulator
4	62232 Suction hose, cpl.	45047 Suction hose, cpl., connections stainless steel
5	73866 Suction pipe, cpl. with suction globe and sieve insert	74203 Suction pipe, cpl. stainless steel
6	79921 Suction pipe, cpl. with suction globe and sieve insert	80879 Suction pipe, cpl. stainless steel
7	74245 Sieve unit, mesh size 1.0, f. SATA VARIO top-spray, f. water borne paints	
	74237 Sieve unit, mesh size 0.5, f. SATA VARIO top-spray, f. water borne paints	
8	41384 Threaded nipple 1/2" (male thread), galvanised	82941 Double nipple 1/2" male thread, stainless steel
9	41368 Angle G 1/2" (female thread), galvanised	56564 Angle 90°, stainless steel
10	82909 Conversion set for gravity container SATA Top-Spray	74211 Conversion kit for gravity flow container SATA VARIO top-spray, f. water borne paints
11	37986 Add-on kit gravity container PVC 6 l, cpl. with 3-way ball valve and holder	37226 Add-on kit gravity container PVC 6 l version for waterborne paint, cpl. with 3-way ball valve and holder

Errors, technical modifications and printing errors reserved.



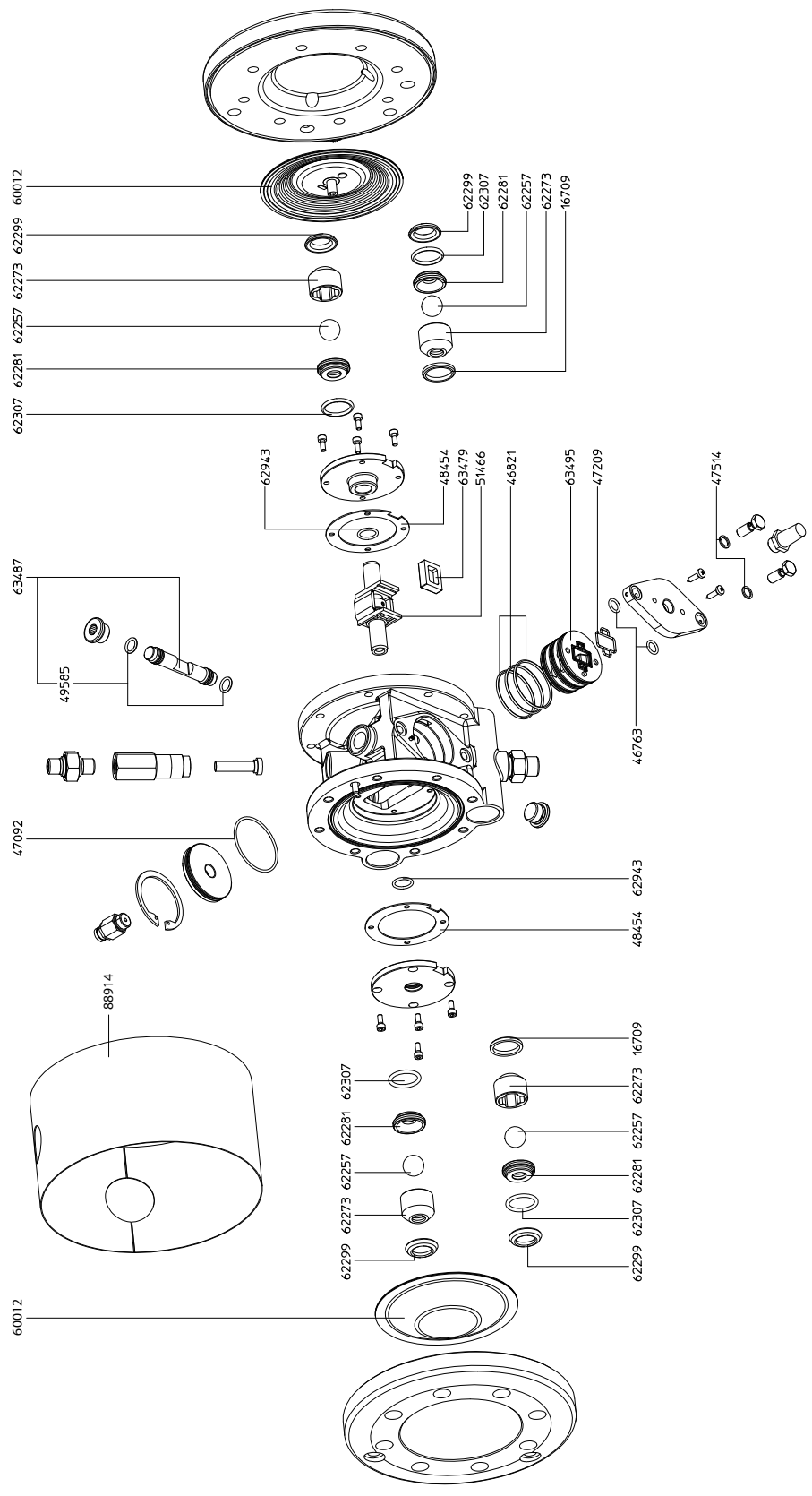
Spare parts
SATA vario top
spray Pumps

	Kit
45195 Sealing kit	①
60012 Repair kit diaphragm (packing unit 2 pieces)	②
60038 Repair kit control	③
60228 Repair kit valves	④
60301 Repair kit for carrier rod	⑤
60657 Repair kit carrier	⑥

We generally recommend using aforementioned seal and repair kits as well as exchanging all essential seals and components

Single components of the
seal and repair kits

	In a set
16709 Gasket	④
46763 O-ring	① ③ ⑤
46821 O-ring	① ③ ⑤
47092 O-ring	①
47209 Shape seal for double diaphragm pump Top-Spray	① ③
47514 Sealing ring	① ③ ⑤
48454 Flat seal D 72 x T 1 for double diaphragm pump Top-Spray	① ⑥
49585 O-Ring 10 x 2 mm, made from Perbunan 70 shore for silencer SATA breathing mask (No. 80-4130)	①
51466 Driving pin for double diaphragm pump Top-Spray	⑥
62257 Ball	④
62265 Diaphragm complete D123 for SATA Top-Spray double diaphragm pump	②
62273 Ball-bearing for Vario-Top-Spray double diaphragm pump	④
62281 Valve seat D12 short for Vario-Top- Spray double diaphragm pump	④
62299 Profile packing 17,2 x 28,2 x 5,4 for double diaphragm pump Vario-Top- Spray	① ② ③ ④ ⑤ ⑥
62307 O-ring	① ④
62943 O-ring	① ⑥
63479 Flat valve 24 x 19 mm, for SATA Top- Spray double diaphragm pump	③



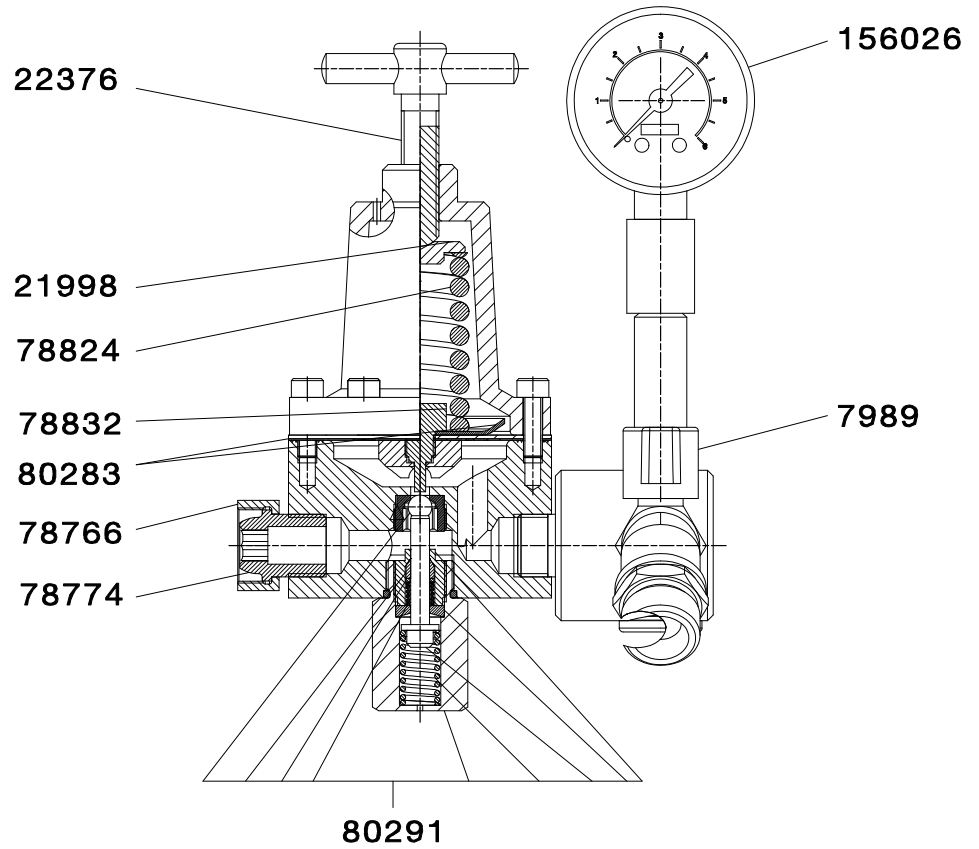
63487 Carrier rod D 13, 9L, for SATA Vario Top-Spray double diaphragm pump, complete with O ring 10,82 x 1,78	⑤
63495 Valve seat D 48 mm for SATA Vario- Top-Spray double diaphragm pump	③
88914 Housing for double diaphragm pump	

Errors, technical modifications and printing errors reserved.

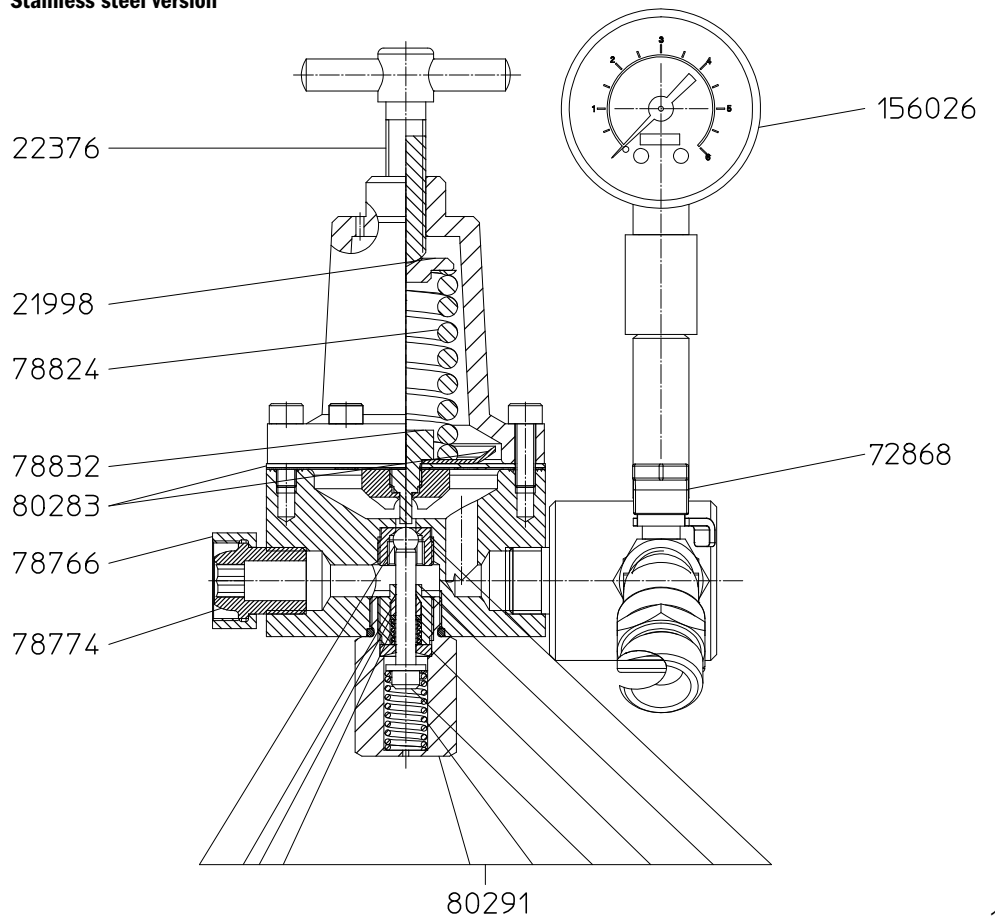
Spare Parts
Material Fine Pressure
Regulator

7989	Ball tap (Teflon) G 3/8" (female thread)
21998	Pressure plate
22376	Compression screw
78766	Sleeve nut for ball valve
78774	Insert part for material fine pressure regulator SATA vario top spray
78824	Pressure spring for material fine pressure regulator SATA vario top spray
78832	Tappet for material fine pressure reducer Vario-Top-Spray
80283	Diaphragm
80291	Plunger kit, cpl.,
149740	Gasket for gravity container
149948	Flat sieve 20 mesh (packing unit 2 pieces)
156026	Pressure gauge 0 - 145psi, 50 mm, G 1/4
29918	Circlip for suction globe Spray-Mix, Vario-Top-Spray and Multi-Top

Spare parts for:
Standard version



Spare parts for:
Stainless steel version



Grit Blasting Equipment / Blow Guns

SPRAY GUNS

Grit blasting equipment

17335
SATA grit blasting gun super version spraying pipe c/w carbide insert



39172
SATA sand blasting-set: sand blast. gun c/w carbide pipe, mask and gloves



38166
SATA grit blasting set SGE with trolley, with grit blasting gun with carbide pipe, mask, container, w/o grit material



CUP SYSTEMS

Blow guns

15156
SATA blow gun with standard nozzle (blow gun)



26070
Standard nozzle for SATA blow gun 15156 (blow gun)

15180
SATA blow gun with low noise metal nozzle and quick coupling nipple (blow gun)



BREATHING PROTECTION

77586
Special low noise nozzle for SATA blow gun 15180 (blow gun)

15214
SATA blow gun with multi nozzle and quick coupling nipple (blow gun)



FILTER TECHNOLOGY

26047
Metal-multi-nozzle M 14x1 for SATA blow gun 15214 (blow gun)

133306
SATA turbo blow with quick coupling nipple (blow gun)



ACCESSORIES

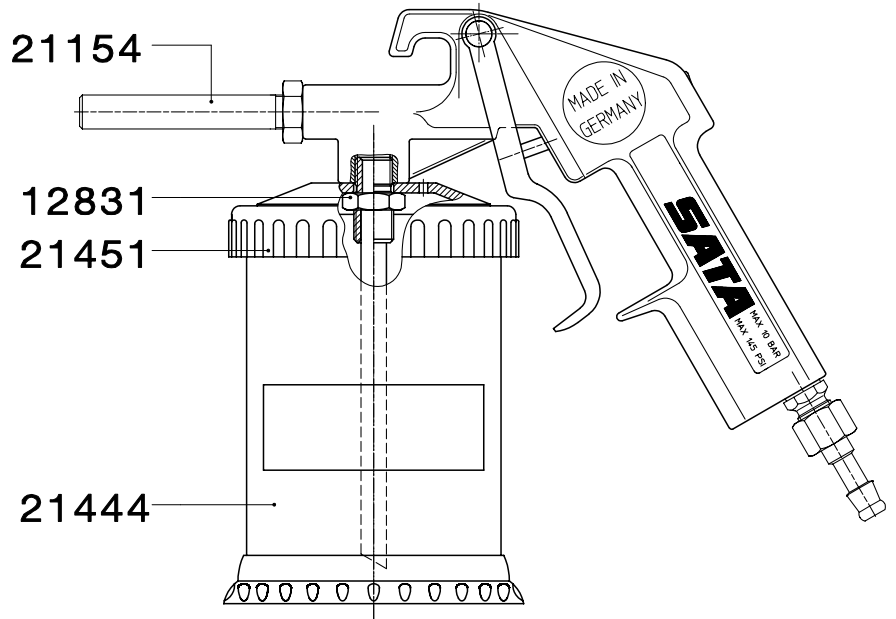
MERCHANDISING ITEMS

Errors, technical modifications and printing errors reserved.

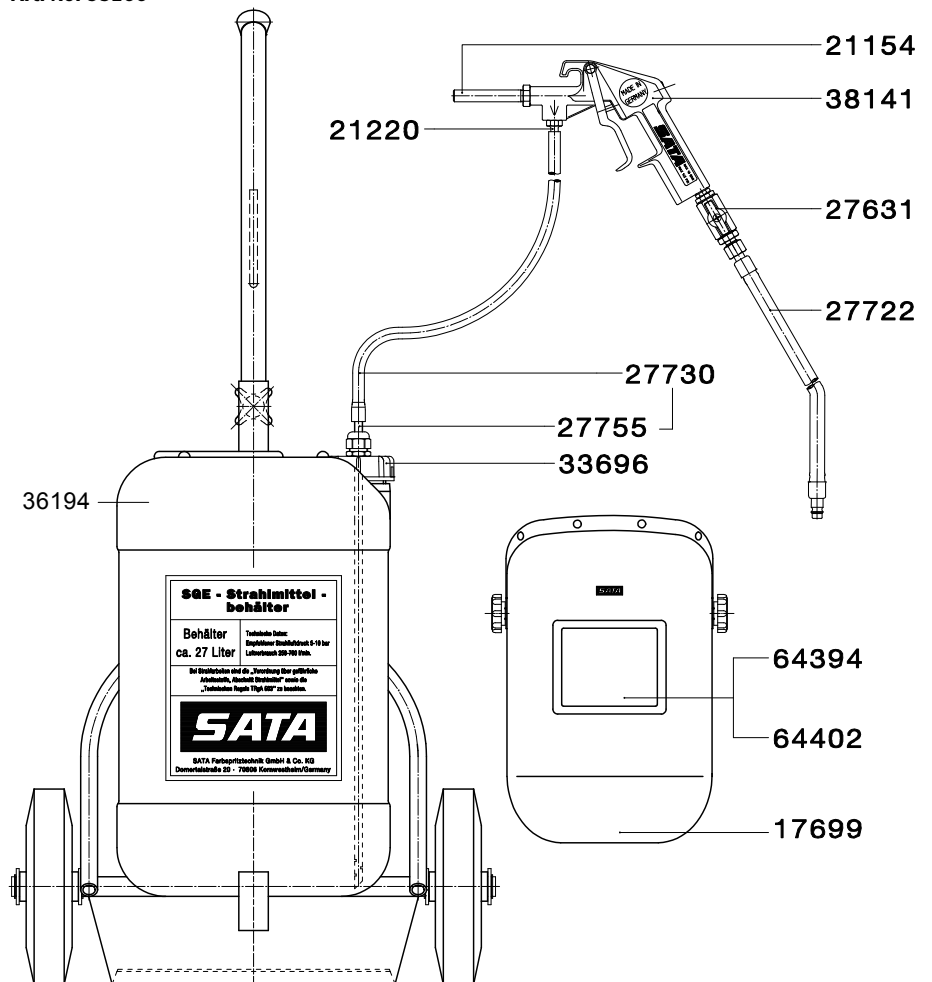
Spare Parts
Grit Blasting Equipment

12831	Hexagon nut M 14 x 1.5, galvanised
17699	SATA HMO head protection hood
21154	Blast pipe w. carbide insert f. SATA grit blasting gun
21220	Hose olive with 1/4" (male thread)
21444	0.6 l plastic suction cup without lid
21451	Lid for 0.6 l PVC suction cup
27631	Ball tap (Teflon) 1/4" (male thread) x G 1/4" (female thread)
27722	SGE Air hose 9 mm ID, length 10 m
27730	SGE paint hose 6 mm ID, length 5 m with ascension pipe
27755	Ascending pipe, only, for SGE set
33696	Lid, cpl.
38141	SATA SGE gun with carbide spray pipe
64394	Plastic disc (5 pieces)
64402	Glass visor screen (5 pieces)
36194	SGE container f. grit blasting material, empty

Spare parts for:
Art. No. 17335



Spare parts for:
Art. No. 38166



SATA Rustproofing equipment

Versatile, efficient and practical



SPRAY GUNS

CUP SYSTEMS










BREATHING PROTECTION

FILTER TECHNOLOGY

ACCESSORIES

MERCHANDISING ITEMS

Cavity Preservation

9795	SATA HRS pressurised cup gun with 1.0 l cup (max. 145 psi), without material flow control, flexible nylon and hook wand (16113 and 16139) as well as fix door wand (16071)	
12658	SATA HRS pressurised cup gun with 1.0 l cup (max. 145 psi), material flow control, without wands	
11072	SATA HRS pressurised cup gun with 1.0 l cup (max. 145 psi), without material flow control, without wands	
77347	SATA HRS-E with 1.5 l pressurized cup (max. 145 psi), with material flow control, without wands	
172882	SATA HRS-E pressurised cup spray gun for cavity preservation and underbody protection from disposable containers, with material flow control, round spray nozzle, hook and nylon wand	
207290	SATA HRS E pressurised cup spray gun with 1.5 l cup (max. 145 psi) for cavity preservation and underbody protection from disposable containers, with material flow control, hook wand 16139 and nylon wand 16113 as well as round spray nozzle	
16071	Door wand, steel 1100 mm long, Ø 8 mm, with rotary nozzle 360° and spraying forward	
196832	Door wand, steel 150 mm work length, Ø 8 mm, with rotary nozzle 360° rotary fan and spraying forward, with flexible guideway hose 1000 mm	
16105	Nylon wand, flexible, 1500 mm long, Ø 6 mm, with rotary nozzle 360°	
16113	Nylon wand, flexible, 1300 mm long, Ø 8 mm, with rotary nozzle 360° rotary fan and spraying forward	
1058826	Nylon wand, flexible 3000 mm long, Ø 8 mm, with rotary nozzle 360° and spraying forward	
11866	Venturi hook wand Ø 5 mm, with flexible guide hose, Venturi spray tube for cavity and surface application	
206904	Venturi hook wand Ø 5 mm, hook nozzle cpl. in 300 mm length, with flexible guide hose, Venturi spray tube, for cavity and surface application	
11874	Nylon wand, flexible, 1500 mm long, Ø 6 mm, with rotary nozzle 360°, diagonally spraying forward and backward	
51185	Nylon wand, semi rigid 1500 mm long, Ø 6 mm, with rotary spray nozzle 360° and spraying diagonal forward and backward	
16139	Venturi hook wand, Ø 7 mm, with flexible guiding hose, Venturi spray tube for cavity and surface application	
24372	Hook wand Ø 5mm, with flexible guide hose, hook flat nozzle, for cavity and surface application	
25486	Round spray nozzle for HRS, conn. I	
198762	Round spray nozzle for surface application with flexible guide hose for underbody protection	
8359	Free passage type quick coupling for HKD1, LM/KK, HRS, connection I	
16048	SATA quick coupling nipple 1/4" (male thread) for wands	

Barrel pump unit for cavity preservation

14555

SATA HKU 60 l barrel pump unit cpl., consisting of piston pump 1:3, with hose pair 10 m, SATAjet 1000 KK spray gun, nylon, door and hook wand



34389

SATA HKU 200 l barrel pump unit, cpl., consisting of piston pump 1:3 with hose pair 10 m, SATAjet 1000 KK spray gun, nylon, door and hook wand

153700

SATAjet 1000 KK RP nozzle 1.5 with paint tube, 1/4" (male thread) with coupling (Art.-No. 8359)



▶ Technical data, accessories and spare parts upon request.

Underbody protection

12740

SATA UBE gun type I, for underbody coating with one-way cans

Barrel pump unit for underbody protection

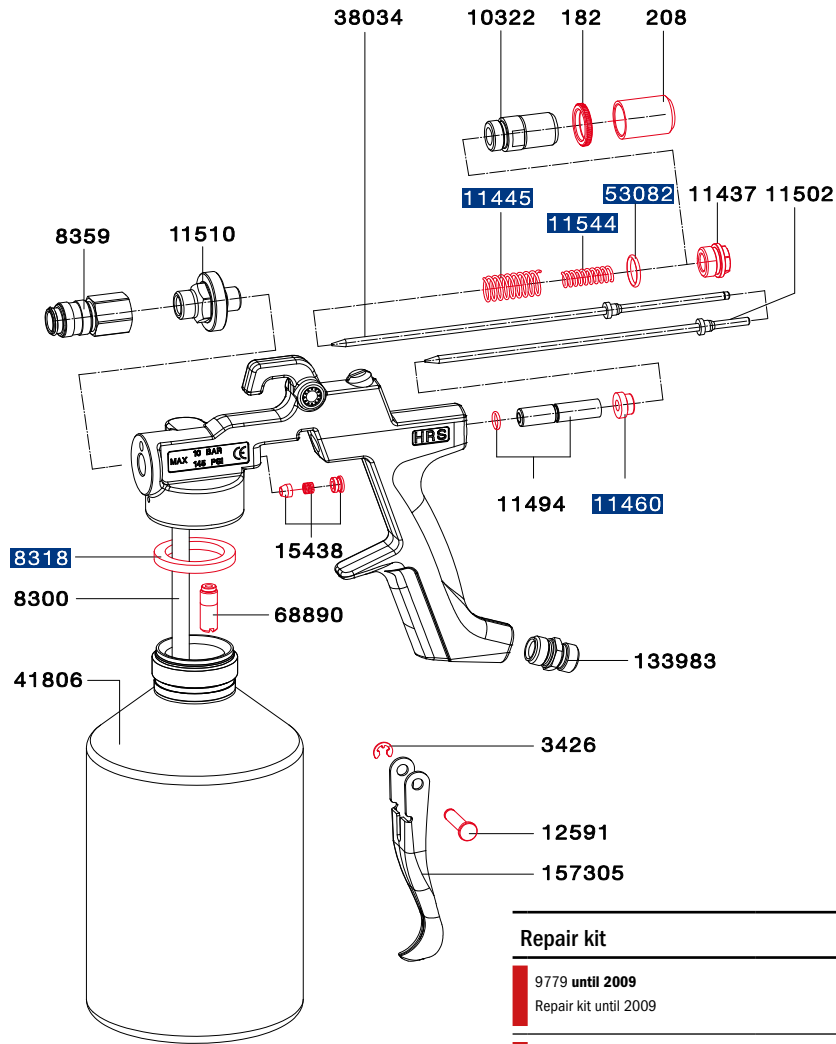
128561

SATA spray mix underbody protection system 1:22, hose pair 10 m, SATAjet 3000 K spray mix gun nozzle 3350, for 60/200 ltr. barrel

Spare Parts

SATA HRS

182	Counter nut
208	Material flow control nut
3426	Safety washer 4 mm DIN 6799 stainless steel for trigger
8300	Suction pipe
8318	Sealing ring
8359	Free passage type quick coupling for HKD1, LM/KK, HRS, connection I
10322	Guide sleeve complete, for HRS with material flow control
11437	Closing screw
11445	Pressure spring for air piston
11460	Air piston
11494	Cam rod HRS, complete with O-ring
11502	Paint needle 1.5
11510	Mixing cap HRS, completely machined
11544	Pressure spring for paint needle
12591	Bracket bolt
15438	Paint needle packing
38034	Paint needle, cpl., for HRS, with needle stroke and minimum passage control
41806	1.0 l aluminium pressure pot, max. pressure 10 bar/150 psi, cpl. with threaded ring
53082	O-ring
68890	Inflow valve
133983	Air connection piece 1/4" male thread
157305	Trigger

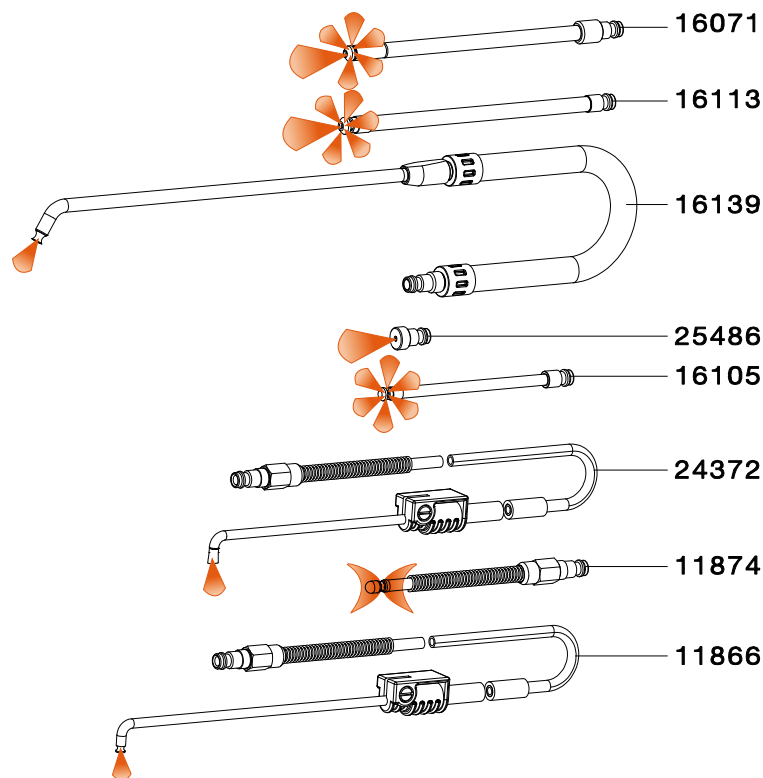


Repair kit

9779 until 2009
Repair kit until 2009

161158 from 2010
Repair kit as of 2010

35204
Wear-and-tear parts kit for HRS



Errors, technical modifications and printing errors reserved.

SATA Cleaning Systems

SPRAY GUNS

CUP SYSTEMS

BREATHING PROTECTION




FILTER TECHNOLOGY

ACCESSORIES

MERCHANDISING ITEMS

Intermediate Cleaning



















Final Cleaning






			
Available versions	SATA clean RCS	SATA clean RCS compact	SATA clean RCS micro
Art. No.	145581	192518	202564




SATA multi clean 2
38257

Technical Data

Technical Data

Dimensions (w x h x d) in mm	310 x 705 x 225	310 x 465 x 225	185 x 465 x 205
Net weight	10 kg	7 kg	4 kg
Inlet pressure	87 - 116 psi	58 psi	58 psi
Air consumption	135 NI per cleaning incl. drying process		
Air connection	1/2" male or G 1/4" female thread	1/4" male thread	
Container for cleaning agent	2x RPS cups; alternatively: retrofit kit for external pick-up and recirculation of cleaning agent from two bulk containers (Art. No. 189472)	2 containers (not included in delivery)	
Required time per cleaning process	approx. 25 sec		
Rinsing agent volume per cleaning process	approx. 140 ml		
Type of cleaning agent	Water, solvent-based or combination cleaner		
External pick-up and recirculation of cleaning agent for bulk containers			
Manual cleaning			
Automatic cleaning with time control	-	-	-
Integrated drying			
Blow-off device			
Number of cleaning/drying chambers	2	2	1
Installation location	Spray booth	also in the mixing room/area outside the spray booth	
The spray gun can remain connected to the air line during the cleaning process			
Connection for exhaust air			







Dimensions (w x h x d) in mm	660 x 1000 x 380
Net weight	30 kg
Inlet pressure	73 - 87 psi
Air consumption	270 NI per cleaning process
Air connection	G 1/4" female thread
Container for cleaning agent	2 containers of each 15 litres
Required time per cleaning process	max. 3 min
Rinsing agent volume per cleaning process	max. 200 ml
Type of cleaning agent	Water, solvent-based or combination cleaner
External pick-up and recirculation of cleaning agent for bulk containers	
Manual cleaning	
Automatic cleaning with time control	
Integrated drying	-
Blow-off device	
Number of cleaning/drying chambers	1
Installation location	Mixing room/Area in front of the spray booth
The spray gun can remain connected to the air line during the cleaning process	-
Connection for exhaust air	

 Standard |  Optional | - non-existing/not required









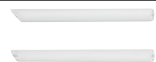
Errors, technical modifications and printing errors reserved.



Recommended connection accessories (depending on the installation method)

10934 Ball tap (Teflon) 1/2" male thread for air inlet	X			
146514 SATA air hose, blue, 13 mm, 0.5 m, G 1/2" (female thread), one connection included	X			
13870 SATA air hose, blue, 9mm, 1.2 m with quick coupling, red and nipple	X	X	X	
13581 SATA quick coupling G 3/8" (female thread)	X			
13623 SATA quick coupling 1/4" (male thread)	X			
192633 Add-on kit: Suction hose for solvent vapours	X	X	X	

Other accessories/spare parts

9886 SATA gravity gun holder for gravity cup spray guns	X	X		
192195 SATA universal spray gun and hose holder	X	X		
6981 SATA quick coupling nipple G 1/4" (female thread) (packing unit 5 pieces)		X	X	
53942 Nipple G 1/4 f. GS respirator, UBE + blow-off gun, size 14	X			
189472 Conversion kit external cleaning agent - suction and recirculation	X	X	X	
146985 Repair kit	X	X	X	
146993 Splash guard with fixing rivet (each 5 pieces)	X	X	X	
147082 Grounding cable, 3 m, 4 mm ²	X	X	X	
153965 Hose 8 x 1, 95 mm (packing unit 2 pieces)	X	X	X	

Accessories and spare parts SATA multi clean 2

21188 Pressure reducer with gauge 0 - 145psi				
26815 Flexible aluminium tube, 5 m long, complete with two tube fittings, for suction unit SATA multi-clean-2				
40840 Cup lid cleaning unit for gun washing equipment SATA multi-clean				
48330 Blow cycle knob with valve, cpl.				
40907 Spring clasp (packing unit 3 pieces)				
49072 Cleaning agent container without lid				
38042 Filter mat				

SPRAY GUNS

CJP SYSTEMS

BREATHING PROTECTION

FILTER TECHNOLOGY

ACCESSORIES

MERCHANDISING ITEMS

SATA trueSun The Daylight Solution





SATA trueSun

Technical data:

Battery operating time:	70 min.
Weight:	approx. 470 g
Charging time:	50 min



Available versions

1012129
SATA trueSun, incl. battery charger and battery, USA



1013094
Storage Case SATA trueSun, incl. foam inlay



1013151
Foam inlay with pinched inlay for storage case SATA trueSun

Spare parts

SATA trueSun

1012096 Shock protection
1010082 Battery
1012137 Protective glass If protective foil is on the glass, please remove before using!
1006445 Battery charger USA



Errors, technical modifications and printing errors reserved.

SPRAY GUNS

CUP SYSTEMS

BREATHING PROTECTION

FILTER TECHNOLOGY

ACCESSORIES

MERCHANDISING ITEMS

SATA dry jet 2

Technical data:

Air consumption:	9.5 cfm
Inlet pressure:	35 psi
Max. inlet pressure:	174 psi



Available versions

217489
SATA dry jet 2 blow gun



SATA dry jet stand (adjustable height: 30 - 190 cm)

223008
SATA dry jet 2 stand with height-adjustable bracket, 2 blow guns



84145
Height extension approx. 120 cm, stainless steel for SATA dry jet stand

86140
Extension for SATA dry jet 97 stand with third blow gun

Spare parts

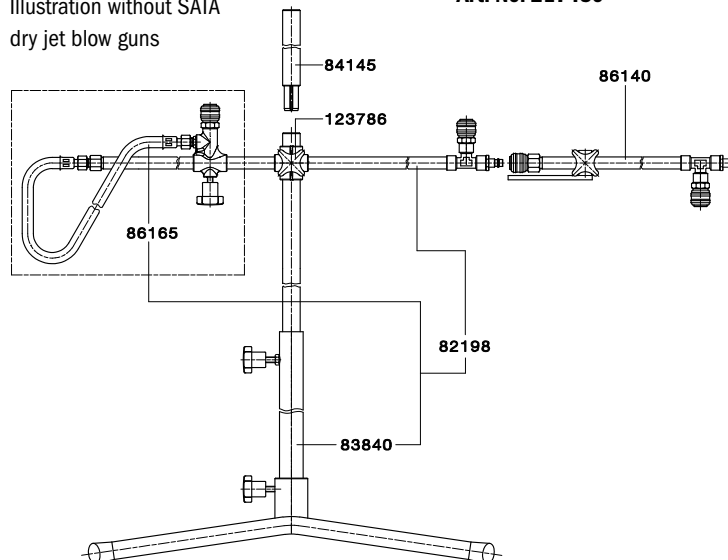
SATA dry jet 2

82198	Stand for SATA dry jet without blow guns
83840	Stand, complete, for Vario-Top-Spray and dry-jet, can be disassembled
84145	Height extension approx. 120 cm, stainless steel
86140	Extension for SATA dry jet 97 stand with third blow gun
86165	Conversion kit for SATA dry jet, adjustable version
123786	Cross piece, cpl. for dry-jet 2
222125	Spare flat sieve 125 µm, pastel blue (packing unit 10 pieces)
222232	Filter holder
223834	Flat fan nozzle

Spare parts for:

SATA dry jet stand
Art. No. 223008

Illustration without SATA
dry jet blow guns



223834

Spare parts for:
SATA dry jet 2
Art. No. 217489

222232

222125

Errors, technical modifications and printing errors reserved.

Air hoses

Air Hoses - With nipple and quick connect coupler (brass) sealed with Loctite

679025
25 ft. breathing hose 3/8" ID w/ 1.4" NPT male fittings w/nipple/coupler

679035
35 ft. breathing hose 3/8" ID w/ 1.4" NPT male fittings w/nipple/coupler

679050
50 ft. breathing hose 3/8" ID w/ 1.4" NPT male fittings w/nipple/coupler



Air Hoses - No nipple or quick connector

669025
25 ft. breathing hose 3/8" ID

669035
35 ft. breathing hose 3/8" ID

669050
50 ft. breathing hose 3/8" ID

High Quality Combination Hoses for 2 - 40 I Pressure Tanks and 1:1 Pumps

675206
6 ft dual hose - 3/8" air hose, 1/4" material hose, female fittings

675215
15 ft dual hose - 3/8" air hose, 1/4" material hose, female fittings

675225
25 ft dual hose - 3/8" air hose, 1/4" material hose, female fittings

675250
50 ft dual hose - 3/8" air hose, 1/4" material hose, female fittings



675406
6 ft dual hose - 3/8" air hose, 3/8" material hose, female fittings

675415
15 ft dual hose - 3/8" air hose, 3/8" material hose, female fittings

675425
25 ft dual hose - 3/8" air hose, 3/8" material hose, female fittings

675450
50 ft dual hose - 3/8" air hose, 3/8" material hose, female fittings



675510
10 ft combination hose for SATAminijet 3000 PT, 1/4" air hose, 6mm material tubing, female fittings (SATAminijet 3000 PT only)



High Quality Combination Hoses for High Pressure Pumps

640225
25 ft / 7.6 m dual hose - 1/4" air hose, 3/16" material hose, female fittings

640250
50 ft / 15.3 m dual hose - 1/4" air hose, 3/16" material hose, female fittings



Air and Combination Hoses for SATAminijet 3000 B, SATAgraph 1, 2, 3 & 4, SATAjet 20 B

32987
25 ft. breathing hose 3/8" ID



S040	6 ft braided hose, 1/8" X 1/4"
S041	10 foot braided air hose 1/8" X 1/4",
S042	6 ft braided hose w/moisture trap
S045	8 ft braided hose w/quick disconnect (shown)
54353	6.5 ft / 2 m clear PVC compressed air hose for SATAMinijet and SATA 20 B. 6 ID x 1/4 female fittings

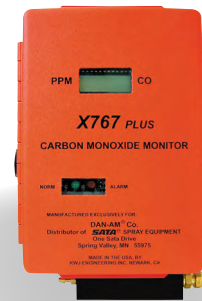


Carbon Monoxide Monitor

Ensures grade D air quality for personal protection

Technical Data: X767 Co Monitor

Gas detected: CO in compressed air	Power: 110 volt AC
Detection Principle: 3 electrode electrochemical	Operating Temp: 30° - 120°
Alarm: preset to 10 ppm	Dimensions: 4" x 6" x 3.5"
Warranty: 1 Year	Powered coated metal housing



Carbon Monoxide Monitor Versions

X767- PLUS	110 volt AC Carbon Monoxide Monitor. Alarm set at 5 ppm with an LCD Display Meets 29 CFR 1910.134 requirements for CO monitoring of compressed breathing air. Audible and visual alarms for high CO or sensor failure. RFI filtered from interference of cell phones, two-way radios, etc. LCD digital readout in 1 ppm increments with response time of 10 seconds to 95% proven reliable performance electrochemical sensor. Calibration recommended every 6 months. Remote alarm options available
------------	--








X288	Sentinel Carbon Monoxide Monitor and Alarm Alarm set at 10 ppm (adjustable between 5-10 ppm) with an LCD Display Battery-operated, can be surface mounted on outer wall of paint booth or close to air supply Alarms: audible, visual and vibrating (battery life 2 years depending on alarm conditions) Operating temperature: - 4° - 122° Display: LCD digital readout in 1 ppm increments, initial response time < 5 seconds, response time < 20 seconds Dimensions: 5.88" x 4.06" x 2.12" Device conforms to UL STD 913; Certified to CSA STD C22.2 No. 157 Intertek/ETL control number 4004813
------	--

NEW



Carbon Monoxide Monitor Accessories

X81-1231K	Calibration kit for Carbon Monoxide Monitor	
XA176	Standard 85 db remote alarm for Carbon Monoxide Monitor	
XA176A	Extra loud 100 db remote alarm for Carbon Monoxide Monitor	
XA176B	Extra loud 120 db air horn w/regulator for Carbon Monoxide Monitor Call for availability (this alarm only)	
XA166	Sirene alarm with strobe light	

Errors, technical modifications and printing errors reserved.

SATA Painting Coveralls

SATA suit race

- 184267
SATA suit race, size S (42/44), 98% Polyester, 2% Carbon
- 184275
SATA suit race, size M (46/48), 98% Polyester, 2% Carbon
- 184283
SATA suit race, size L (50/52), 98% Polyester, 2% Carbon
- 184291
SATA suit race, size XL (54/56), 98% Polyester, 2% Carbon
- 184309
SATA suit race, size XXL (58/60), 98% Polyester, 2% Carbon



SATA suit space

- 212035
SATA suit space, size S (42/44)
- 212043
SATA suit space, size M (46/48)
- 212050
SATA suit space, size L (50/52)
- 212068
SATA suit space, size XL (54/56)
- 212076
SATA suit space, size XXL (58/60)

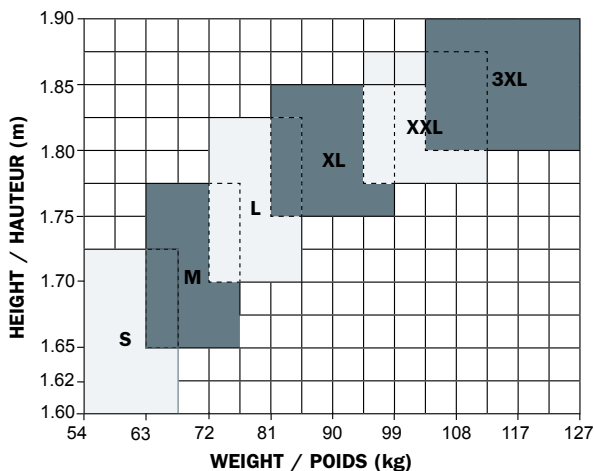


SATA suit grey

- 520001
Small
- 520002
Medium
- 520003
Large
- 520004
XLarge
- 520005
XXLarge (2XL)
- 520006
XXXLarge (3XL)



Please Note: Order our Pro-Series paint suits as you would your normal size, these run a little larger to fit over your clothing.



SPRAY GUNS

CUP SYSTEMS

BREATHING PROTECTION

FILTER TECHNOLOGY

ACCESSORIES

MERCHANDISING ITEMS

NEW**SATA suit race ladies**

1154020

SATA suit race ladies, size XS 98% polyester 2% carbon MID: DEHBP5658THA

1154038

SATA suit race ladies, size S 98% polyester 2% carbon MID: DEHBP5658THA

1154046

SATA suit race ladies, size M 98% polyester 2% carbon MID: DEHBP5658THA

1154054

SATA suit race ladies, size L 98% polyester 2% carbon MID: DEHBP5658THA

1154062

SATA suit race ladies, size XL 98% polyester 2% carbon MID: DEHBP5658THA

**SATA Ladies - GBG Paint Suit**

The first paint suit tailor-made to fit ladies in the paint industry!

Add features: pocket knee pads, coloured ankle and wrist closures, detailed piping, Girls Behind the Gun logo on back. Innovative drop seat for complete ease of movement and helps prevent pulling at crotch and ripping.

Please note: The GBG Pro-Series paint suit sizing is based on jacket size. It is a fitted paint suit for ladies, but it's not the same as when ordering tight fitted clothing.

540050GBG

SATA ladies suit, size XS (5-6)

540052GBG

SATA ladies suit, size S (7-9)

540054GBG

SATA ladies suit, size M (10-12)

540056GBG

SATA ladies suit, size L (14-16)

540058GBG

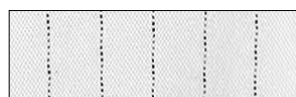
SATA ladies suit, size XL (18-20)



PERMANENT ANTISTATIC FIBER!


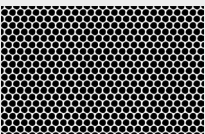
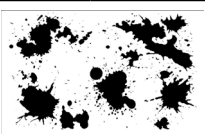

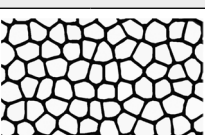
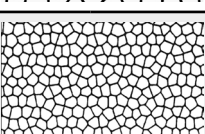
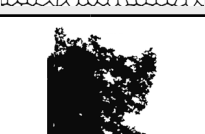

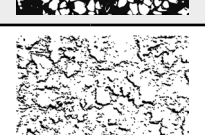
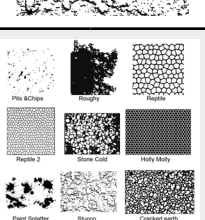
Machine washable.

Made from 100% polyester calendered materials with antistatic built-in carbon fiber threads to dissipate electronic charges.
Breathable full poly-cotton back.





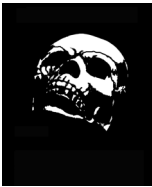





Dan-Am Pro Texture Stencils

The Pro Texture Stencils by Dan-Am contain 9 great designs to help you build texture and depth into your backgrounds, and in combination with the Pro Series Skull Pack stencils to help artists create backgrounds with depth, and the stencils can be maneuvered to give a great random appearance. We also offer an incredible value kit with all 9 designs, called Mega Texture Kit.

T9	Cracked earth 2 Stencils; Approx. size 1) 4" x 5" 1) 8" x 10"	
T10	Holly Molly 2 Stencils; Approx. size 1) 4" x 5" 1) 8" x 10"	
T11	Paint Splatter 2 Stencils; Approx. size 1) 4" x 5" 1) 8" x 10"	
T12	Pits & Chips 2 Stencils; Approx. size 1) 4" x 5" 1) 8" x 10"	
T13	Reptile 2 Stencils; Approx. size 1) 4" x 5" 1) 8" x 10"	
T14	Reptile 2 2 Stencils; Approx. size 1) 4" x 5" 1) 8" x 10"	
T15	Roughy 2 Stencils; Approx. size 1) 4" x 5" 1) 8" x 10"	
T16	Stone Cold 2 Stencils; Approx. size 1) 4" x 5" 1) 8" x 10"	
T17	Stucco 2 Stencils; Approx. size 1) 4" x 5" 1) 8" x 10"	
T18	Mega Texture Kit 18 Stencils One SET of each; T9, T10, T11, T12, T13, T14, T15, T16, T17	

Dan-Am Pro Skull Stencils SERIES 1

The Skull stencils are designed to be painted on dark backgrounds, with lighter contrasting colors. Each of the 7 different designs, include 5 sizes in each pack. Plus we offer a Super Skull Pack which includes 5 sizes of each of the 7 designs. 35 usable stencils in one pack.

T1	Skull pack 1 Five different sizes	
T2	Skull pack 2 Five different sizes	
T3	Skull pack 3 Five different sizes	
T4	Skull pack 4 Five different sizes	
T5	Skull pack 5 Five different sizes	
T6	Skull pack 6 Five different sizes	
T7	Skull pack 7 Five different sizes	
T8	Super Skull pack This contains 35 stencils. Five different sizes of each, T1, T2, T3, T4, T5, T6, T7	

Errors, technical modifications and printing errors reserved. rned.

Freehand stencils

T19 Necessary Nine,
handheld stencil kit



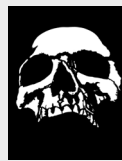
Dan-Am Pro Skull Stencils SERIES 2

Fined detail for use on dark colors using high lights for colors. These stencils are 7 mil mylar and each pack includes 3 sizes. The Skull Collection 2 Mega pack has 3 different sizes in each pack.

T20 Coconut
Three different sizes



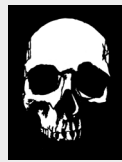
T21 Ed The Head
Three different sizes



T22 Gaping Gourd
Three different sizes



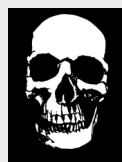
T23 Mr. Melon
Three different sizes



T24 Open Dome
Three different sizes



T25 Pumpkin
Three different sizes



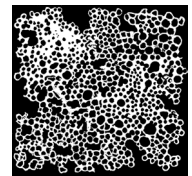
T26 Skull 2 Mega Pack
This contains 18 stencils.
Three different sizes of each, T20, T21, T22,
T23, T24, T25



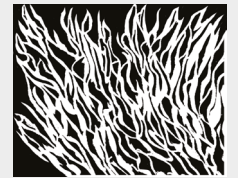
Dan-Am Pro Stencils - Fine Texture Series

Today's demanding artist require a selection of texture stencils capable of creating the most intricate details. Dan-Am has developed a series of the finest super detail organic stencils ever. Designed by Mickey Harris a professional artist for 38 years. There are no better stencils or better priced ones available. made of 7 mil Mylar. Flexible for curves and great for flat areas as well. Easily cleaned with solvent or water.

TF30 Acid Drips
3" x 5"



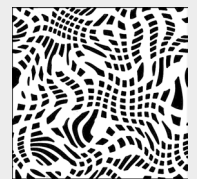
TF31 Sea Weed
3" x 5"



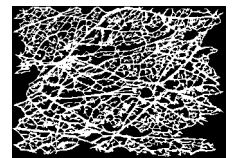
TF32 Tree
3" x 5"



TF33 Wow Man
3" x 5"



TF34 Overgrown
3" x 5"



TF35 Fine Texture Mega Pack
Complete set of T30-T34

SPRAY GUNS

CUP SYSTEMS

BREATHING PROTECTION

FILTER TECHNOLOGY

ACCESSORIES

MERCHANDISE



German Engineering
www.sata.com

SATA Canada Merchandise

- 900001 black **Exclusive SATA Canada Toque**
 100% acrylic, designed and embroidered in Canada
- 900004 grey
 Available in black and grey
 one size fits all.
- List price: \$19.95 each



- 900013 S **Exclusive SATA Canada T-Shirt**
 SATA logo on front with SATA logo and
 SATAjet X 5500 design on back
- 900010 M
 100% cotton t-shirt (black)
- 900007 L
 Available in sizes S, M, L, XL XXL
- 900016 XL
- 900019 XXL
- List price: \$27.95 each



- 235499 **SATA RPS Coffee Cup**
- Material: Porcelain, Colour: White and RPS green
 - Same design as SATA RPS multi-purpose cup
 - Volume: 0.34 l, size: Ø ca. 10.5 cm
 - Smooth, shiny outside surface
- List price: \$26.46 each



- 1063734 **Miniture SATAjet X 5500 spray gun**
- Spray gun SATAjet X 5500 key ring
 - Material: Nickel-plated
 - Dimensions (W x H): 4.3 x 5 cm
- List price: \$10.08 each



- 900022 **Exclusive SATA insulated water bottle**
- Stainless steel finish
 - 750 ml
 - Limited availability
- List price: \$25.99 each



- 234849 **Zippo SATA lighter "PHASER"**
- Material: Chrome brushed
 - PHASER logo on the front side
- List price: \$110.59 each



SPRAY GUNS

CUP SYSTEMS

BREATHING PROTECTION

FILTER TECHNOLOGY

ACCESSORIES

NOTES

A large grid area for taking notes, with a 'NOTES' label in the top-left corner. The grid consists of approximately 30 columns and 40 rows of small squares.

Errors, technical modifications and printing errors reserved.

SATA WARRANTY

During the twelve (12) month or the three (3) year (*Premium warranty) period from the date of original purchase SATA will repair or, at its option, replace the product without charge for parts or labor subject to the following conditions.

The warranty covers the value for production parts or defects in material during the warranty period. The warranty does not include damages caused by improper handling, normal wear and tear, mechanical damages, faulty assembly, improper maintenance, unusual spray materials or chemicals.

Sprayable abrasive materials reduce the lifetime of valves, packings, guns and nozzles. Wear and tear damage caused by this are not covered in this warranty.

Our units should be inspected upon delivery by the consumer. Obvious damage must be reported within 14 days of receipt of the unit to the supplier to avoid loss of the right to claim notice of defects.

SATA holds itself harmless for damages caused during meetings, training sessions or demonstrations.

Should the consumer require immediate repair or replacement before a determination of whether the affected unit is covered by the warranty, the repair or replacement will be made and charged at the current prices. If it is determined that the item is covered by the warranty, a credit will be issued for repair or replacement. Replaced parts become the property of SATA or their distributor.

Notice of defects or other claims do not entitle the consumer to delay or refuse payment. Returned merchandise to SATA must be sent prepaid. All service charges, freight and handling charges are to be paid by the consumer.

The charges made will be in accordance with the current existing pricing.

Suretyships may not prolong the warranty period. This warranty terminates upon unauthorized interference.

*Premium Warranty

You will be granted for SATA paint spray guns, filters or air fed respirators a prolonged warranty period free of charge (1 year + 2 years = 3 years), provided you return to us within 30 days after purchasing date the duly filled Premium Warranty Form or effects the Premium Warranty Registration via Internet, www.sata.com

We believe you will agree that the painter is ultimately responsible for the maintenance and mechanical condition of their spray gun.

Warranty work does not include the following:

1. Internal or external cleaning of the spray gun or any part thereof. On warranty claims, your spray gun must be received in clean condition, ready for testing when received in our repair department. Otherwise a \$30.00 minimum charge will be incurred.
2. Damage to any nozzle component caused by vise-grips, pliers, nails, wire or any other foreign object.
3. Damage caused by dropping the spray gun or any nozzle component.
4. Damage caused by the use of abrasive materials.
5. The warranty does not cover damages caused by improper handling, normal wear and tear, mechanical damage, faulty assembly, and improper maintenance.

Warranty does include the following:

1. Defects in production parts or material during the 12 month warranty period.

ALL WARRANTY CLAIMS MUST BE RETURNED TO SATA CANADA HEADQUARTERS



Find and Follow us on Facebook, Youtube and Instagram
Username: SATA GmbH & Co. KG and sata_canada



SATA

SATA Canada Inc.
125 Buttermill Ave.
Vaughan, ON, L4K 3X5
Office: +1-905-660-1101
Toll-free: +1-844-554-SATA (7282)
Fax: +1-905-760-1250
E-Mail: contact@sata.ca
Web: www.sata.com

Errors and alterations reserved. SATA, SATAjet, the SATA logo and/or other SATA products referenced herein are either registered trademarks or trade-marks of SATA GmbH & Co. KG in Canada and/or other countries.